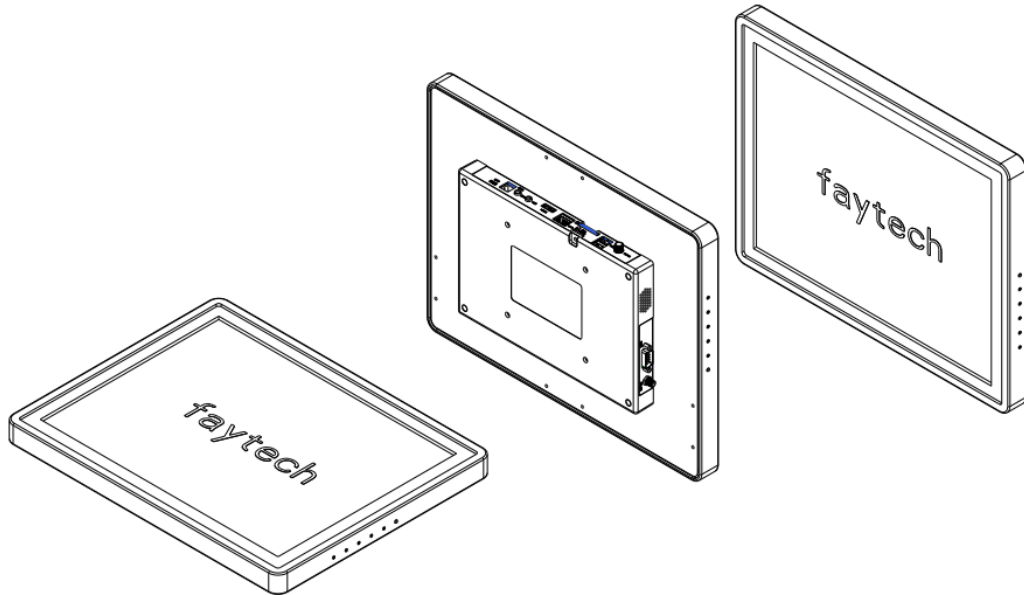
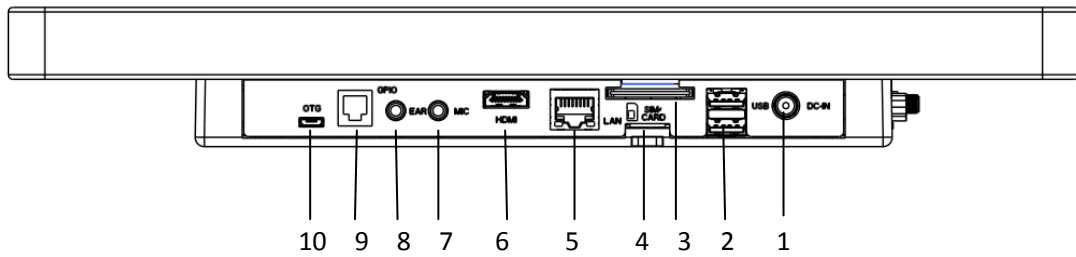


faytech

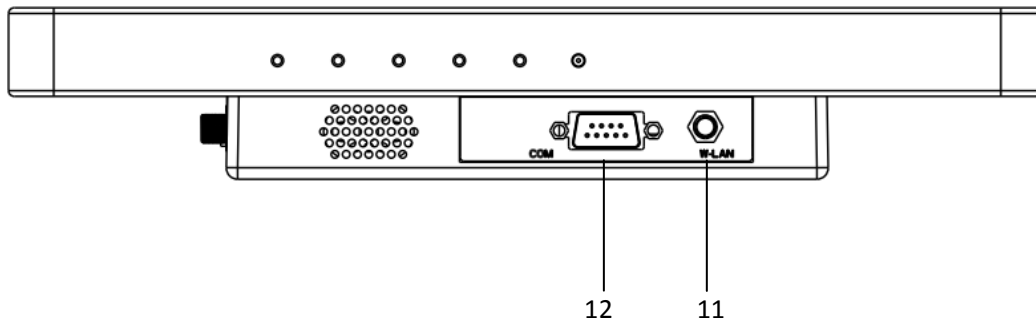
Embedded Touch PC use manual

FT15A20M



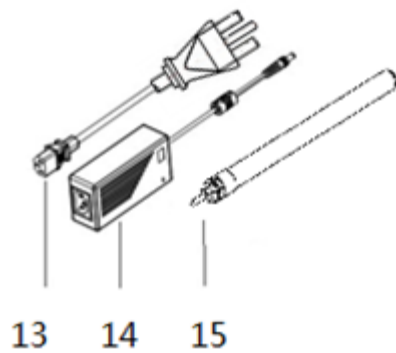


1. Power Connector 12V DC-IN
2. 2 x USB2.0
- 3.SD card
- 4.SIM card
- 5.RJ45 LAN
6. HDMI Output
7. MIC input
8. Ear connector
- 9.GPIO connector
- 10.OTG connector



- 11. W-LAN
- 12. RS232 serial port connector

Attachment



- 13. Power cable
- 14. Power adapter
- 15. Wifi antenna

Commissioning and Installation

faytech offers you a well-engineered, high-quality PC hardware. For the software installation, use and maintenance the respective user is responsible.

Feel free to check www.faytech.com to see whether there are updated versions of drivers available.

To start, simply connect your faytech-touch PC to the included AC adaptor or use an equivalent power 12V DC source with at least 5A DC.

Troubleshooting

If you encounter problems or ambiguities during the usage, please first refer to the detailed instruction manual and on www.faytech.com).

In case you are unable to resolve the issue this way please contact us directly.

FCC WARNING

This device complies with part 15 of the FCC Rules. Operation is subject to the condition that this device does not cause harmful interference (1) this device may not cause harmful interference, and (2) this device must accept any interference received, including interference that may cause undesired operation.

Changes or modifications not expressly approved by the party responsible for compliance could void the user's authority to operate the equipment.

NOTE: This equipment has been tested and found to comply with the limits for a Class B digital device, pursuant to Part 15 of the FCC Rules. These limits are designed to provide reasonable protection against harmful interference in a residential installation. This equipment generates, uses and can radiate radio frequency energy and, if not installed and used in accordance with the instructions, may cause harmful interference to radio communications. However, there is no guarantee that interference will not occur in a particular installation.

If this equipment does cause harmful interference to radio or television reception, which can be determined by turning the equipment off and on, the user is encouraged to try to correct the interference by one or more of the following measures:

- Reorient or relocate the receiving antenna.
- Increase the separation between the equipment and receiver.
- Connect the equipment into an outlet on a circuit different from that to which the receiver is connected.
- Consult the dealer or an experienced radio/TV technician for help.

To maintain compliance with FCC's RF Exposure guidelines, This equipment should be installed and operated with minimum distance between 20cm the radiator your body: Use only the supplied antenna.

FCC ID: 2AC8IFT15A20M