



FCC Test Report

FCC ID: 2AC8IFT15A20M

Product: Embedded Touch PC
Trade Name: faytech
Model Number: FT15A20M
Serial Model: FT07A20M, FT08A20M, FT10A20M,
FT101A20M, FT104A20M, FT116A20M,
FT121A20M, FT133A20M, FT17A20M,
FT19A20M, FT215A20M
Report No.: NTEK- 2015NT12283624F2

Prepared for

faytech Tech. Co., Ltd.
Fl. 4, Hongmen Tech. Zone, Jihua Road, Longgang District Shenzhen, China

Prepared by

Shenzhen NTEK Testing Technology Co., Ltd.
1/F, Building E, Fenda Science Park, Sanwei Community, Xixiang Street,
Bao'an District, Shenzhen P.R. China
Tel.: +86-0755-61156588 Fax.: +86-0755-61156599
Website: www.ntek.org.cn

TEST RESULT CERTIFICATION

Applicant's name : faytech Tech. Co., Ltd.

Address : Fl. 4, Hongmen Tech. Zone, Jihua Road, Longgang District
Shenzhen, China

Manufacturer's Name : faytech Tech. Co., Ltd.

Address : Fl. 4, Hongmen Tech. Zone, Jihua Road, Longgang District
Shenzhen, China

Product description

Product name..... : Embedded Touch PC

Model and/or type reference : FT15A20M

Standards..... : FCC Part15B:01 Oct.2016

Standards..... : ANSI C63.4:2014

This device described above has been tested by NTEK, and the test results show that the equipment under test (EUT) is in compliance with Part 15 of FCC Rules. And it is applicable only to the tested sample identified in the report.

This report shall not be reproduced except in full, without the written approval of NTEK, this document may be altered or revised by NTEK, personnel only, and shall be noted in the revision of the document.

Date of Test..... :

Date (s) of performance of tests..... : 28 Apr. 2015 ~ 20 Apr. 2016

Date of Issue..... : 20 Apr. 2016

Test Result..... : **Pass**

Testing Engineer :



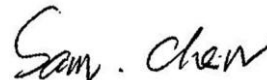
(Allen Liu)

Technical Manager :



(Jason Chen)

Authorized Signatory :



(Sam Chen)

Table of Contents	Page
1 . TEST SUMMARY	4
1.1 TEST FACILITY	5
1.2 MEASUREMENT UNCERTAINTY	5
2 . GENERAL INFORMATION	6
2.1 GENERAL DESCRIPTION OF EUT	6
2.2 DESCRIPTION OF TEST SETUP	8
2.3 DESCRIPTION TEST PERIPHERAL AND EUT PERIPHERAL	9
2.4 MEASUREMENT INSTRUMENTS LIST	10
3 . EMC EMISSION TEST	11
3.1 CONDUCTED EMISSION MEASUREMENT	11
3.1.1 POWER LINE CONDUCTED EMISSION	11
3.1.2 TEST PROCEDURE	12
3.1.3 TEST SETUP	12
3.1.4 EUT OPERATING CONDITIONS	12
3.1.5 TEST RESULTS	13
3.2 RADIATED EMISSION MEASUREMENT	17
3.2.1 LIMITS OF RADIATED EMISSION MEASUREMENT	17
3.2.2 TEST PROCEDURE	17
3.2.3 TEST SETUP	18
3.2.4 TEST RESULTS	18
3.2.5 TEST RESULTS(1000~12400MHz)	21
4 . EUT TEST PHOTO	22

1. TEST SUMMARY

Test procedures according to the technical standards:

EMC Emission				
Standard	Test Item	Limit	Judgment	Remark
FCC Part15B:2014 ANSI C63.4: 2014	Conducted Emission	Class B	PASS	
	Radiated Emission	Class B	PASS	

NOTE:

- (1) 'N/A' denotes test is not applicable in this Test Report
- (2) For client's request and manual description, the test will not be executed.

1.1 TEST FACILITY

NTEK Testing Technology Co., Ltd

Add. : 1/F, Building E, Fenda Science Park, Sanwei Community, Xixiang Street, Bao'an District, Shenzhen P.R. China.

FCC Registration Number:238937; IC Registration Number:9270A-1

CNAS Registration Number:L5516

1.2 MEASUREMENT UNCERTAINTY

The reported uncertainty of measurement $y \pm U$, where expanded uncertainty U is based on a standard uncertainty multiplied by a coverage factor of $k=2$, providing a level of confidence of approximately **95** %.

A. Conducted Measurement :

Test Site	Method	Measurement Frequency Range	U, (dB)	NOTE
NTEKC01	ANSI	150 KHz ~ 30MHz	3.2	

B. Radiated Measurement :

Test Site	Method	Measurement Frequency Range	U, (dB)	NOTE
NTEKA01	ANSI	30MHz ~ 1000MHz	4.7	
		1GHz ~12.4GHz	5.0	

2. GENERAL INFORMATION

2.1 GENERAL DESCRIPTION OF EUT

Equipment	Embedded Touch PC	
Trade Name	faytech	
Model Name	FT15A20M	
Serial Model	FT07A20M, FT08A20M, FT10A20M, FT101A20M, FT104A20M, FT116A20M, FT121A20M, FT133A20M, FT17A20M, FT19A20M, FT215A20M	
Model Difference	All the model are the same circuit and RF module, except the model name and colour.	
Product Description	The EUT is a Embedded Touch PC.	
	Connecting I/O port:	USB, DC in
	Operation Frequency:	2412-2462MHz for 802.11b/g/11n(HT20); 2422-2452MHz for 802.11n(HT40);
	Modulation Type:	DSSS with DBPSK/DQPSK/CCK for 802.11b; OFDM with BPSK/QPSK/16QAM/64QAM for 802.11g/n;
Power Source	DC Voltage	
Adapter	Model: FJ-SW1203000 Input: 100-240V~, 50/60Hz, 1.5A MAX Output: 12V $\overline{\text{---}}$, 3000mA	
Battery	N/A	

2.1.1 DESCRIPTION OF TEST MODES

To investigate the maximum EMI emission characteristics generates from EUT, the test system was pre-scanning tested base on the consideration of following EUT operation mode or test configuration mode which possible have effect on EMI emission level. Each of these EUT operation mode(s) or test configuration mode(s) mentioned above was evaluated respectively.

Pretest Mode	Description
Mode 1	SD CARD+HDMI
Mode 2	USB1 PLAY+HDMI
Mode 3	USB2 PLAY+HDMI
Mode 4	Wlan

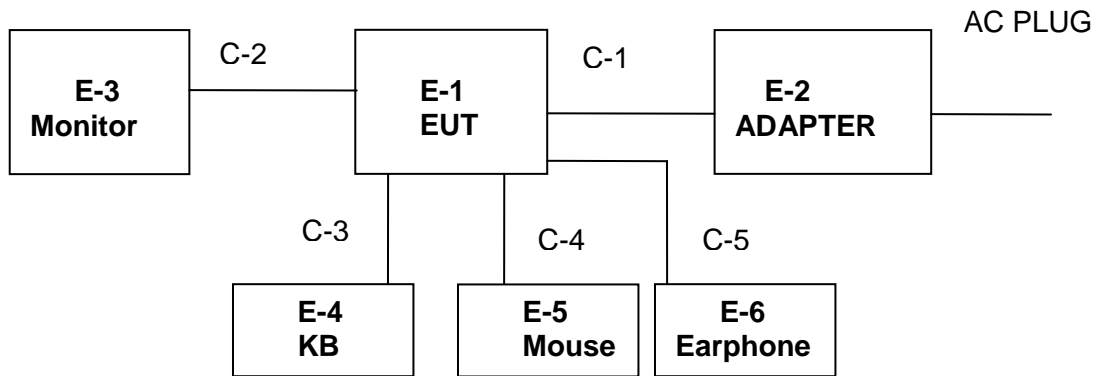
For Conducted Test	
Final Test Mode	Description
Mode 1	SD CARD+HDMI

For Radiated Test	
Final Test Mode	Description
Mode 1	SD CARD+HDMI

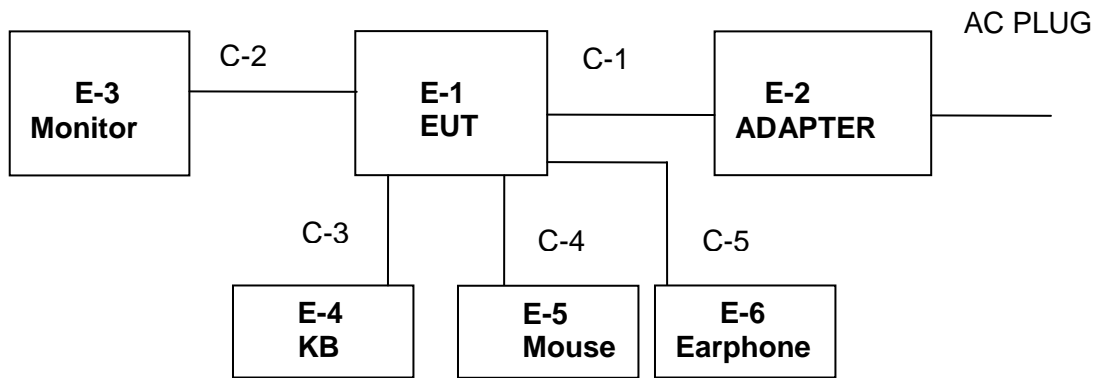
Note: Final Test Mode: Through Pre-scan, find the mode 1 is the worst case. Only the worst case mode is recorded in the report.

2.2 DESCRIPTION OF TEST SETUP

RE



CE



2.3 DESCRIPTION TEST PERIPHERAL AND EUT PERIPHERAL

The EUT has been tested as an independent unit together with other necessary accessories or support units. The following support units or accessories were used to form a representative test configuration during the tests.

Item	Equipment	Brand	Model/Type No.	Series No.	Note
E-1	Embedded Touch PC	faytech	FT15A20M	N/A	EUT
E-2	Adapter	N/A	FJ-SW1203000	N/A	
E-3	Monitor	DELL	IN2020MB	cn-0y6mhx-74261-11f-67es	
E-4	Keyboard	DELL	SK-8185	OY526KUS	
E-5	Mouse	DELL	MS111-P	cn-011d3v-71581-11e-1th7	
E-6	Earphone	N/A	2688	N/A	

Item	Shielded Type	Ferrite Core	Length	Note
C-1	NO	NO	0.8m	
C-2	NO	NO	1.0m	
C-3	NO	NO	1.0m	
C-4	NO	NO	1.0m	

Note:

- (1) The support equipment was authorized by Declaration of Confirmation.
- (2) For detachable type I/O cable should be specified the length in cm in 『Length』 column.
- (3) “YES” means “shielded” “with core”; “NO” means “unshielded” “without core”.

2.4 MEASUREMENT INSTRUMENTS LIST

Radiation Test equipment

Item	Kind of Equipment	Manufacturer	Type No.	Serial No.	Last calibration	Calibrated until	Calibration period
1	Spectrum Analyzer	Agilent	E4407B	MY45108040	2015.07.06	2016.07.05	1 year
2	Test Receiver	R&S	ESPI	101318	2015.06.07	2016.06.06	1 year
3	Bilog Antenna	TESEQ	CBL6111D	31216	2015.07.06	2016.07.05	1 year
4	50Ω Coaxial Switch	Anritsu	MP59B	6200264416	2015.06.07	2016.06.06	1 year
5	Spectrum Analyzer	ADVANTEST	R3132	150900201	2015.06.07	2016.06.06	1 year
6	Horn Antenna	EM	EM-AH-10180	2011071402	2015.07.06	2016.07.05	1 year
7	Horn Ant	Schwarzbeck	BBHA 9170	9170-181	2015.07.06	2016.07.05	1 year
8	Amplifier	EM	EM-30180	060538	2015.07.06	2016.07.05	1 year
9	Loop Antenna	ARA	PLA-1030/B	1029	2015.06.08	2016.06.07	1 year
10	Power Meter	R&S	NRVS	100696	2015.07.06	2016.07.05	1 year
11	Power Sensor	R&S	URV5-Z4	0395.1619.05	2015.07.06	2016.07.05	1 year
12	Test Cable	N/A	R-01	N/A	2015.07.06	2016.07.05	1 year
13	Test Cable	N/A	R-02	N/A	2015.07.06	2016.07.05	1 year

Conduction Test equipment

Item	Kind of Equipment	Manufacturer	Type No.	Serial No.	Last calibration	Calibrated until	Calibration period
1	Test Receiver	R&S	ESCI	101160	2015.06.06	2016.06.05	1 year
2	LISN	R&S	ENV216	101313	2015.08.24	2016.08.23	1 year
3	LISN	EMCO	3816/2	00042990	2015.08.24	2016.08.23	1 year
4	50Ω Coaxial Switch	Anritsu	MP59B	6200264417	2015.06.07	2016.06.06	1 year
5	Passive Voltage Probe	R&S	ESH2-Z3	100196	2015.06.07	2016.06.06	1 year
6	Absorbing clamp	R&S	MOS-21	100423	2015.06.08	2016.06.07	1 year
7	Test Cable	N/A	C01	N/A	2015.06.08	2016.06.07	1 year
8	Test Cable	N/A	C02	N/A	2015.06.08	2016.06.07	1 year
9	Test Cable	N/A	C03	N/A	2015.06.08	2016.06.07	1 year

3. EMC EMISSION TEST

3.1 CONDUCTED EMISSION MEASUREMENT

3.1.1 POWER LINE CONDUCTED EMISSION (Frequency Range 150KHz-30MHz)

FREQUENCY (MHz)	Class A (dBuV)		Class B (dBuV)	
	Quasi-peak	Average	Quasi-peak	Average
0.15 -0.5	79.00	66.00	66 - 56 *	56 - 46 *
0.50 -5.0	73.00	60.00	56.00	46.00
5.0 -30.0	73.00	60.00	60.00	50.00

Note:

- (1) The tighter limit applies at the band edges.
- (2) The limit of " * " marked band means the limitation decreases linearly with the logarithm of the frequency in the range.

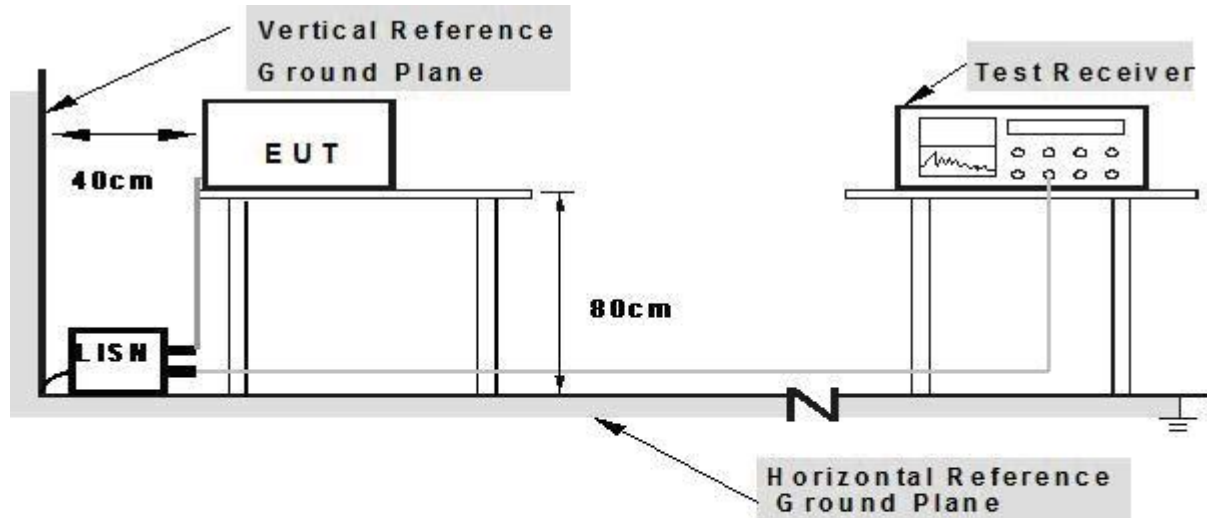
The following table is the setting of the receiver

Receiver Parameters	Setting
Attenuation	10 dB
Start Frequency	0.15 MHz
Stop Frequency	30 MHz
IF Bandwidth	9 kHz

3.1.2 TEST PROCEDURE

- a. The EUT was placed 0.8 meters from the horizontal ground plane with EUT being connected to the power mains through a line impedance stabilization network (LISN). All other support equipments powered from additional LISN(s). The LISN provide 50 Ohm/ 50uH of coupling impedance for the measuring instrument.
- b. Interconnecting cables that hang closer than 40 cm to the ground plane shall be folded back and forth in the center forming a bundle 30 to 40 cm long.
- c. I/O cables that are not connected to a peripheral shall be bundled in the center. The end of the cable may be terminated, if required, using the correct terminating impedance. The overall length shall not exceed 1 m.
- d. LISN at least 80 cm from nearest part of EUT chassis.
- e. For the actual test configuration, please refer to the related Item –EUT Test Photos.

3.1.3 TEST SETUP



Note: 1. Support units were connected to second LISN.

2. Both of LISNs (AMN) are 80 cm from EUT and at least 80 cm from other units and other metal planes

3.1.4 EUT OPERATING CONDITIONS

The EUT tested system was configured as the statements of 2.3 Unless otherwise a special operating condition is specified in the follows during the testing.

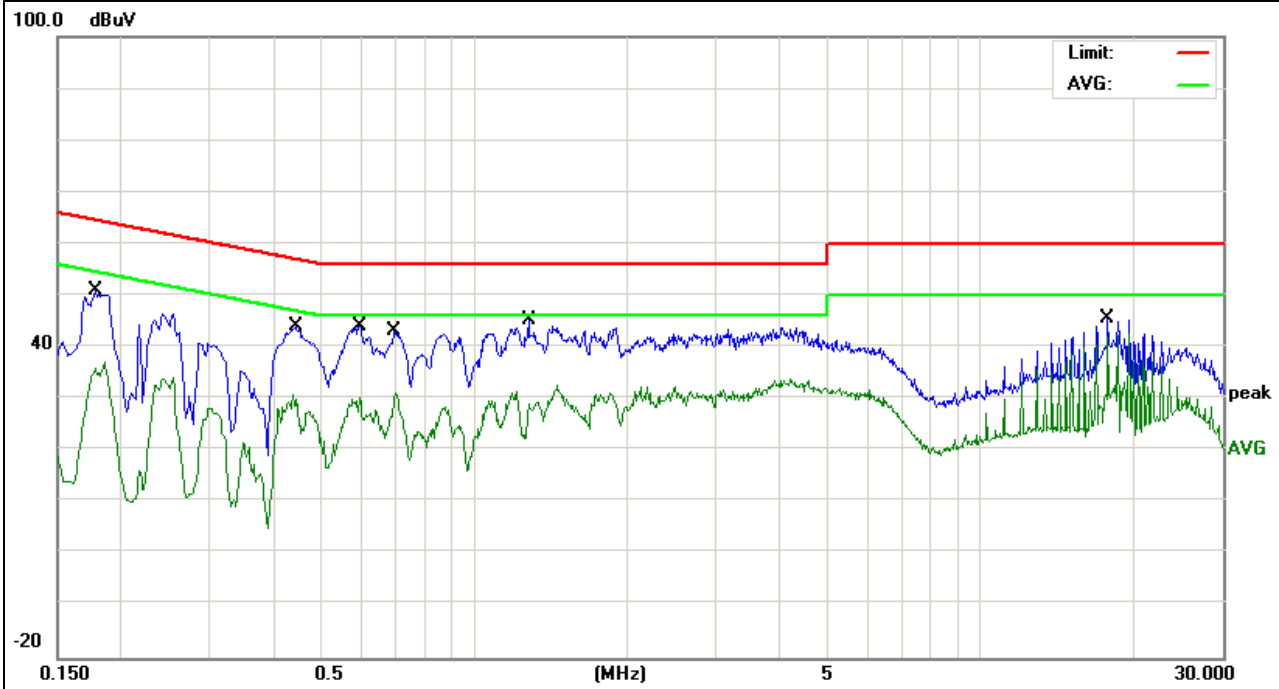
3.1.5 TEST RESULTS

EUT:	Embedded Touch PC	Model Name. :	FT15A20M
Temperature:	26 °C	Relative Humidity:	54%
Pressure:	1010hPa	Test Date:	2016-4-18
Test Mode:	Mode 1	Phase :	L
Test Voltage:	DC 12V From Adapter AC 120V/60Hz		

Frequency (MHz)	Reading Level (dBμV)	Correct Factor (dB)	Measure-ment (dBμV)	Limits (dBμV)	Margin (dB)	Remark
0.1779	40.75	10.13	50.88	64.58	-13.70	QP
0.1779	30.02	10.13	40.15	54.58	-14.43	AVG
0.442	34.18	9.94	44.12	57.02	-12.90	QP
0.442	19.71	9.94	29.65	47.02	-17.37	AVG
0.5939	34.31	9.79	44.10	56.00	-11.90	QP
0.5939	20.36	9.79	30.15	46.00	-15.85	AVG
0.6939	33.46	9.78	43.24	56.00	-12.76	QP
0.6939	18.80	9.78	28.58	46.00	-17.42	AVG
1.278	35.35	9.82	45.17	56.00	-10.83	QP
1.278	22.83	9.82	32.65	46.00	-13.35	AVG
17.8059	35.61	9.90	45.51	60.00	-14.49	QP
17.8059	23.24	9.90	33.14	50.00	-16.86	AVG

Remark:

1. All readings are Quasi-Peak and Average values.
2. Factor = Insertion Loss + Cable Loss.

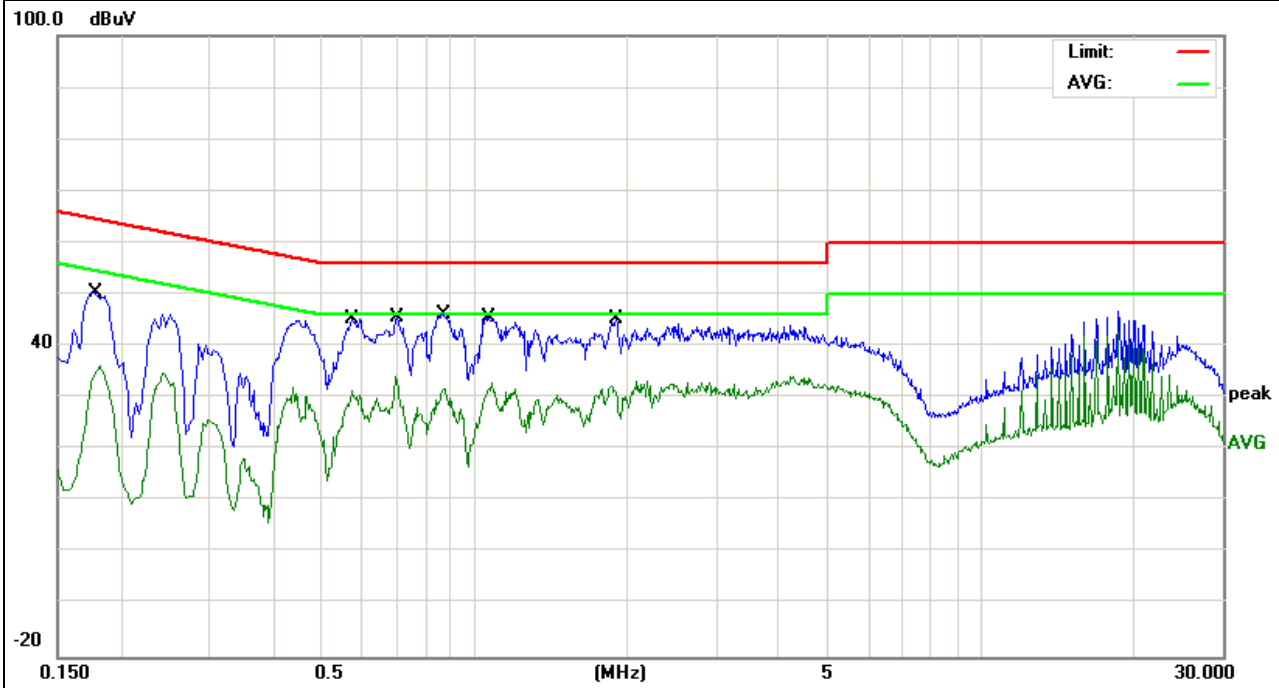


EUT:	Embedded Touch PC	Model Name. :	FT15A20M
Temperature:	26 °C	Relative Humidity:	54%
Pressure:	1010hPa	Test Date:	2016-4-18
Test Mode:	Mode 1	Phase :	N
Test Voltage:	DC 12V From Adapter AC 120V/60Hz		

Frequency (MHz)	Reading Level (dBμV)	Correct Factor (dB)	Measure-ment (dBμV)	Limits (dBμV)	Margin (dB)	Remark
0.1779	40.31	10.05	50.36	64.58	-14.22	QP
0.1779	28.97	10.05	39.02	54.58	-15.56	AVG
0.5701	35.43	9.82	45.25	56.00	-10.75	QP
0.5701	25.83	9.82	35.65	46.00	-10.35	AVG
0.7019	35.67	9.81	45.48	56.00	-10.52	QP
0.7019	24.71	9.81	34.52	46.00	-11.48	AVG
0.8699	36.46	9.84	46.30	56.00	-9.70	QP
0.8699	22.48	9.84	32.32	46.00	-13.68	AVG
1.066	35.63	9.86	45.49	56.00	-10.51	QP
1.066	20.39	9.86	30.25	46.00	-15.75	AVG
1.9019	35.49	9.76	45.25	56.00	-10.75	QP
1.9019	20.65	9.76	30.41	46.00	-15.59	AVG

Remark:

1. All readings are Quasi-Peak and Average values.
2. Factor = Insertion Loss + Cable Loss.

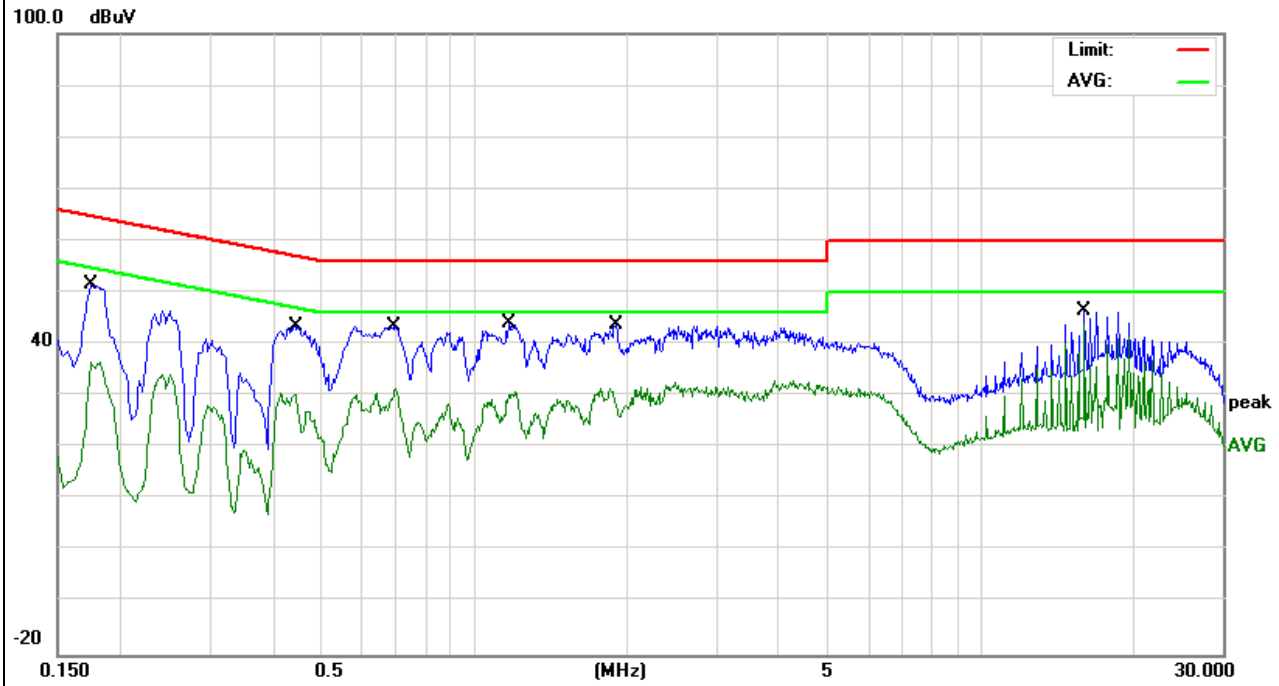


EUT:	Embedded Touch PC	Model Name. :	FT15A20M
Temperature:	26 °C	Relative Humidity:	54%
Pressure:	1010hPa	Test Date:	2016-4-18
Test Mode:	Mode 1	Phase :	L
Test Voltage:	DC 12V From Adapter AC 240V/50Hz		

Frequency (MHz)	Reading Level (dBμV)	Correct Factor (dB)	Measure-ment (dBμV)	Limits (dBμV)	Margin (dB)	Remark
0.1737	41.29	10.12	51.41	64.78	-13.37	QP
0.1737	29.90	10.12	40.02	54.78	-14.76	AVG
0.442	33.48	9.94	43.42	57.02	-13.60	QP
0.442	20.27	9.94	30.21	47.02	-16.81	AVG
0.6937	33.70	9.78	43.48	56.00	-12.52	QP
0.6937	19.55	9.78	29.33	46.00	-16.67	AVG
1.1697	34.19	9.83	44.02	56.00	-11.98	QP
1.1697	19.75	9.83	29.58	46.00	-16.42	AVG
1.8977	34.05	9.74	43.79	56.00	-12.21	QP
1.8977	20.71	9.74	30.45	46.00	-15.55	AVG
16.0259	36.54	9.88	46.42	60.00	-13.58	QP
16.0259	20.64	9.88	30.52	50.00	-19.48	AVG

Remark:

1. All readings are Quasi-Peak and Average values.
2. Factor = Insertion Loss + Cable Loss.

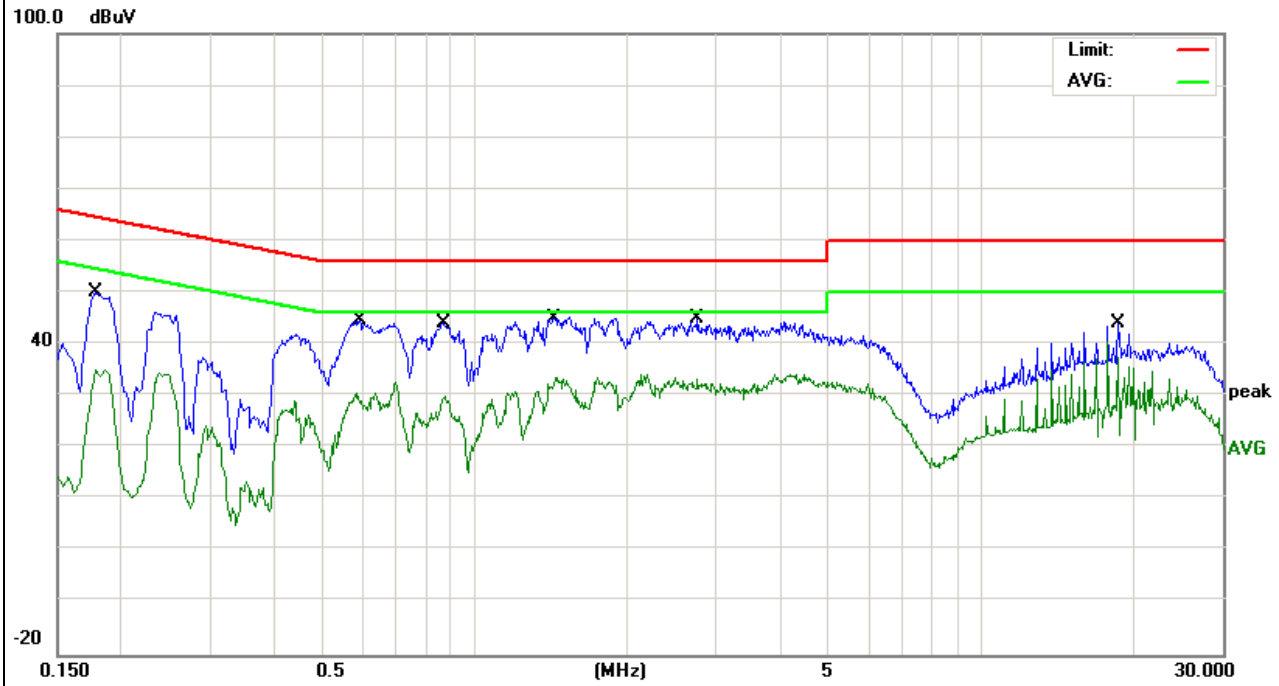


EUT:	Embedded Touch PC	Model Name. :	FT15A20M
Temperature:	26 °C	Relative Humidity:	54%
Pressure:	1010hPa	Test Date:	2016-4-18
Test Mode:	Mode 1	Phase :	N
Test Voltage:	DC 12V From Adapter AC 240V/50Hz		

Frequency (MHz)	Reading Level (dBμV)	Correct Factor (dB)	Measure-ment (dBμV)	Limits (dBμV)	Margin (dB)	Remark
0.1779	39.89	10.05	49.94	64.58	-14.64	QP
0.1779	24.97	10.05	35.02	54.58	-19.56	AVG
0.5939	34.70	9.82	44.52	56.00	-11.48	QP
0.5939	20.44	9.82	30.26	46.00	-15.74	AVG
0.8699	34.24	9.84	44.08	56.00	-11.92	QP
0.8699	20.61	9.84	30.45	46.00	-15.55	AVG
1.4379	35.20	9.82	45.02	56.00	-10.98	QP
1.4379	21.44	9.82	31.26	46.00	-14.74	AVG
2.762	35.34	9.74	45.08	56.00	-10.92	QP
2.762	22.84	9.74	32.58	46.00	-13.42	AVG
18.6979	34.14	9.88	44.02	60.00	-15.98	QP
18.6979	20.86	9.88	30.74	50.00	-19.26	AVG

Remark:

1. All readings are Quasi-Peak and Average values.
2. Factor = Insertion Loss + Cable Loss.



3.2 RADIATED EMISSION MEASUREMENT

3.2.1 LIMITS OF RADIATED EMISSION MEASUREMENT

FREQUENCY (MHz)	Class A (at 10m)	Class B (at 3m)
	dBuV/m	dBuV/m
30 ~ 88	39.0	40.0
88 ~ 216	43.5	43.5
216 ~ 960	46.5	46.0
Above 960	49.5	54.0

Notes:

- (1) The limit for radiated test was performed according to as following:
FCC PART 15B /ICES-003.
- (2) The tighter limit applies at the band edges.
- (3) Emission level (dBuV/m)=20log Emission level (uV/m).

3.2.2 TEST PROCEDURE

Test Arrangement for Radiated Emissions up to 1 GHz

- a. The EUT was placed on the top of a rotating table 0.8 meters above the ground at an accredited test facility. The table was rotated 360 degrees to determine the position of the highest radiation.
- b. The EUT was set 3 meters away from the interference-receiving antenna, which was mounted on the top of a variable-height antenna tower.
- c. The antenna is a broadband antenna, and its height is varied from one meter to four meters above the ground to determine the maximum value of the field strength. Both horizontal and vertical polarizations of the antenna are set to make the measurement.
- d. For each suspected emission, the EUT was arranged to its worst case and then the antenna was tuned to heights from 1 meter to 4 meters and the rotatable table was turned from 0 degrees to 360 degrees to find the maximum reading.

Note: The resolution bandwidth and video bandwidth of test receiver/spectrum analyzer is 120kHz for quasi-peak detection (QP) at frequency below 1GHz.

Test Arrangement for Radiated Emissions above 1 GHz.

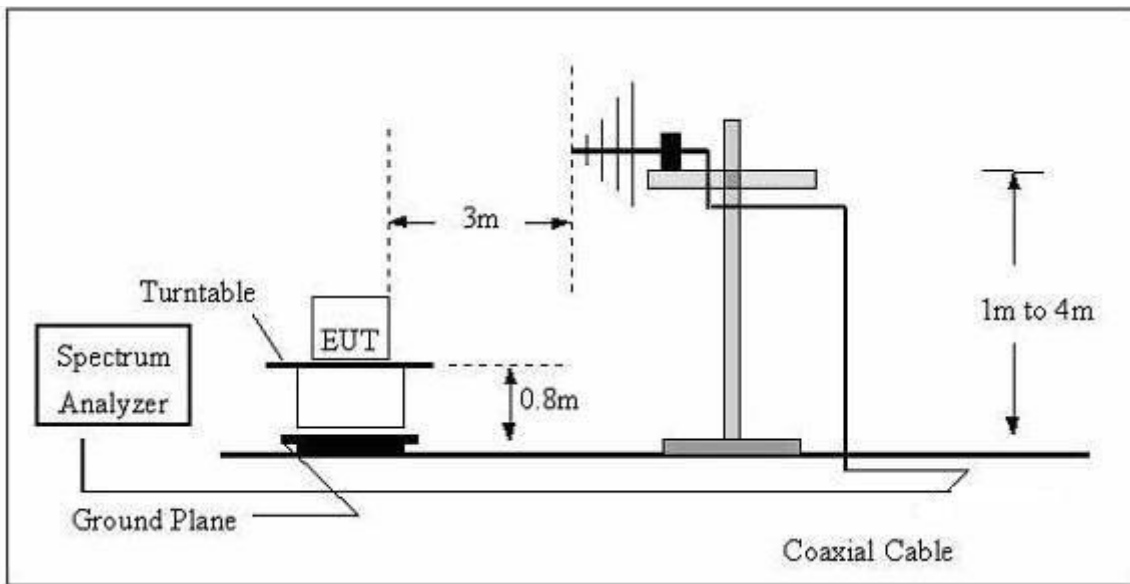
- a. The EUT was placed on the top of a rotating table 0.8 meters above the ground at an accredited chamber room. The table was rotated 360 degrees to determine the position of the highest radiation.
- b. The EUT was set 3 meters away from the interference-receiving antenna, which was mounted on the top of a variable-height antenna tower.
- c. The height of antenna can be varied from one meter to four meters, the height of adjustment depends on the EUT height and the antenna 3dB beamwidth both, to detect the maximum value of the field strength.Both horizontal and vertical polarizations of the antenna are set to make the measurement.
- d. For each suspected emission, the EUT was arranged to its worst case and then the antenna was tuned to heights and the rotatable table was turned from 0 degrees to 360 degrees to find the maximum reading.

Note: For the hand-held device, the EUT should be measured for all 3 axes and only the worst case is recorded in the report
 During the radiated emission test, the Spectrum Analyzer was set with the following configurations:

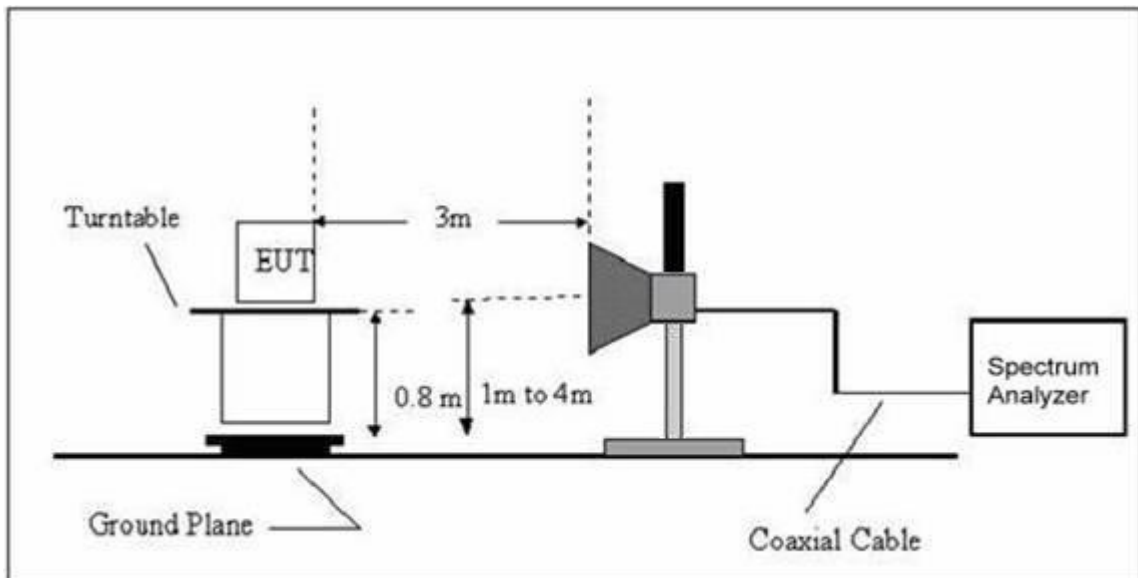
Frequency Band (MHz)	Function	Resolution bandwidth	Video Bandwidth
30 to 1000	QP	120 kHz	300 kHz
Above 1000	Peak	1 MHz	1 MHz
	Avg	1 MHz	10 Hz

3.2.3 TEST SETUP

For Radiated Emission 30~1000MHz



(B) Radiated Emission Test Set-Up Frequency Above 1GHz



3.2.4 TEST RESULTS

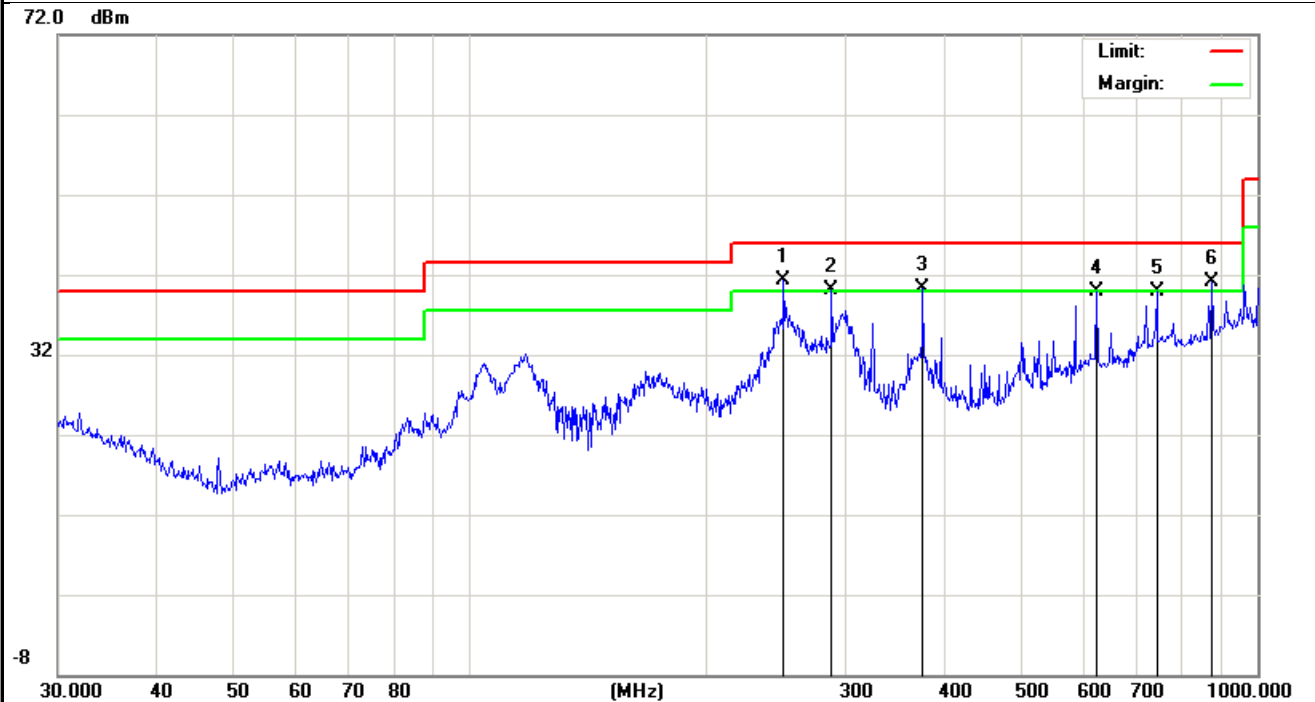
TEST RESULTS (30~1000 MHz)

EUT:	Embedded Touch PC	Model Name:	FT15A20M
Temperature:	24 °C	Relative Humidity:	54%
Pressure:	1010 hPa	Test Date :	2016-4-18
Test Mode :	Mode 1	Polarization :	Horizontal
Test Power :	DC 12V From Adapter AC 120V/60Hz		

Polar (H/V)	Frequency	Meter Reading	Factor	Emission Level	Limits	Margin	Remark
	(MHz)	(dBuV)	(dB)	(dBuV/m)	(dBuV/m)	(dB)	
H	250.301	27.77	13.54	41.31	46	-4.69	QP
H	287.9904	25.86	14.3	40.16	46	-5.84	QP
H	375.9384	23.35	16.96	40.31	46	-5.69	QP
H	625.0779	16.25	23.6	39.85	46	-6.15	QP
H	744.8659	13.46	26.43	39.89	46	-6.11	QP
H	875.2468	13.72	27.32	41.04	46	-4.96	QP

Remark:

Factor = Antenna Factor + Cable Loss - Amplifier.

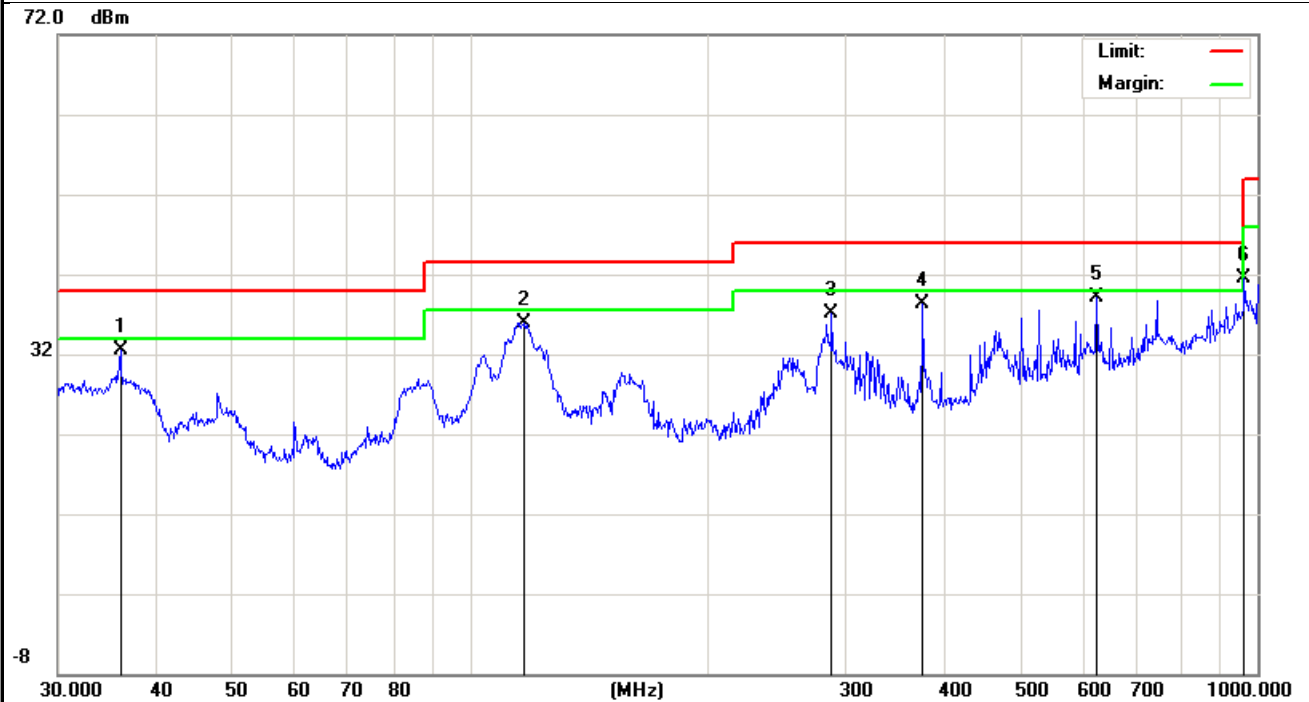


EUT:	Embedded Touch PC	Model Name :	FT15A20M
Temperature:	24 °C	Relative Humidity:	54%
Pressure:	1010 hPa	Test Date :	2016-4-18
Test Mode :	Mode 1	Polarization :	Vertical
Test Power :	DC 12V From Adapter AC 120V/60Hz		

Polar (H/V)	Frequency	Meter Reading	Factor	Emission Level	Limits	Margin	Remark
	(MHz)	(dBuV)	(dB)	(dBuV/m)	(dBuV/m)	(dB)	
V	36.0007	17.15	15.37	32.52	40	-7.48	QP
V	116.9493	23.99	12.01	36	43.5	-7.5	QP
V	287.9904	22.88	14.3	37.18	46	-8.82	QP
V	375.9384	21.41	16.96	38.37	46	-7.63	QP
V	625.0779	15.59	23.6	39.19	46	-6.81	QP
V	962.1621	11.7	29.87	41.57	54	-12.43	QP

Remark:

Factor = Antenna Factor + Cable Loss - Amplifier.



3.2.5 TEST RESULTS(1000~25000MHz)

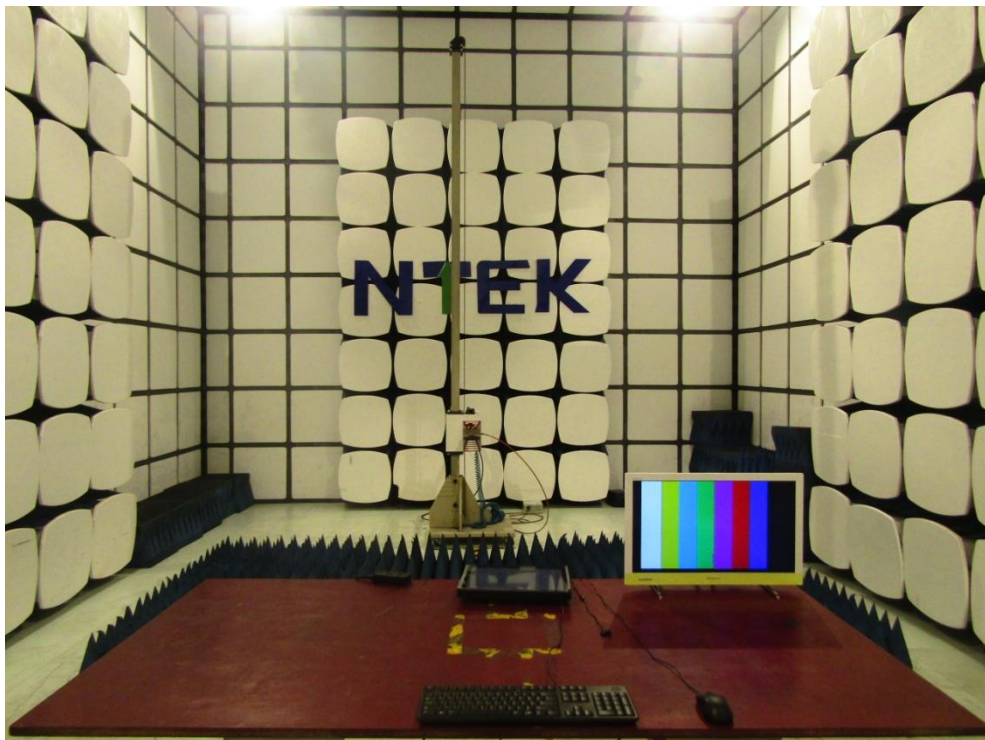
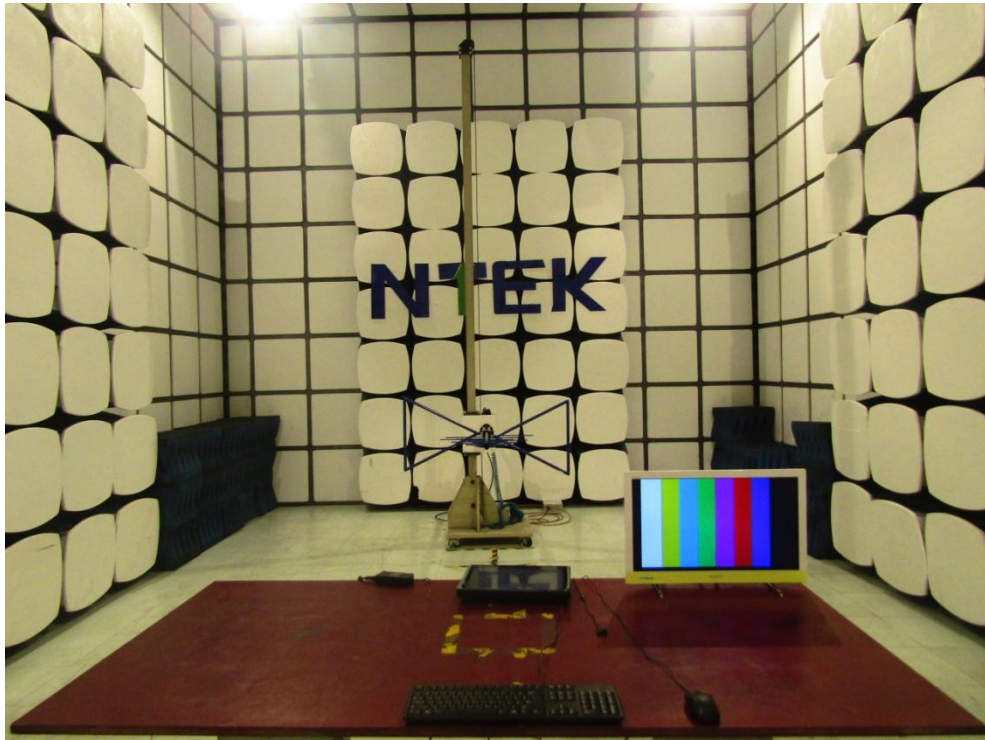
EUT:	Embedded Touch PC	Model Name :	FT15A20M
Temperature:	24 °C	Relative Humidity:	54%
Pressure:	1010 hPa	Test Date :	2016-4-18
Test Mode :	Mode 1	Polarization :	Vertical
Test Power :	DC 12V From Adapter AC 120V/60Hz		

All the modulation modes have been tested, and the worst result was report as below:

Polar (H/V)	Frequency	Read Level	Cable loss	Antenna Factor	Preamplifier Factor	Emission Level	Limits	Margin	Remark
	(MHz)	(dBμV)	(dB)	dB/m	(dB)	(dBμV/m)	(dBμV/m)	(dB)	
V	1588.41	58.22	2.35	26.46	39.15	47.88	74	-26.1	Pk
V	1588.41	39.22	2.35	26.46	39.15	28.88	54	-25.1	AV
V	3513.58	56.58	4.12	36.22	41.6	55.32	74	-18.7	Pk
V	3513.58	36.69	4.12	36.22	41.6	35.43	54	-18.6	AV
H	2144.02	59.34	2.18	24.36	39.13	46.75	74	-27.3	Pk
H	2144.02	39.44	2.18	24.36	39.13	26.85	54	-27.2	AV
H	3699.41	58.25	3.42	31.75	41.21	52.21	74	-21.8	Pk
H	3699.41	36.15	3.42	31.75	41.21	30.11	54	-23.9	AV

4. EUT TEST PHOTO

Radiated Measurement Photos



Conducted Measurement Photos

