



CTC Laboratories, Inc.

1-2/F., Building 2, Jiaquan Building, Guanlan High-Tech Park, Shenzhen, Guangdong, China
Tel: +86-755- 27521059 Fax: +86-755- 27521011 Http://www.sz-ctc.org.cn

TEST REPORT

Report No......: **CTC20212153E05**

FCC ID.....: **2AC88-GLMU21A01**

IC.....: **24230-GLMU21A01**

Applicant: **HONGKONG UCLOUDLINK NETWORK TECHNOLOGY LIMITED**

Address.....: Suite 603, 6/F, Laws Commercial Plaza, 788 Cheung Sha Wan Road, Kowloon, Hong Kong

Manufacturer.....: HONGKONG UCLOUDLINK NETWORK TECHNOLOGY LIMITED

Address.....: Suite 603, 6/F, Laws Commercial Plaza, 788 Cheung Sha Wan Road, Kowloon, Hong Kong

Product Name: **5G Wireless Data Terminal**

Trade Mark: GlobalMe

Model/Type reference.....: GLMU21A01

Standard: **FCC Part 15, Subpart E 15. 407
RSS 247 Issue 2**

Date of receipt of test sample...: Jan. 25, 2022

Date of testing.....: Jan. 26, 2022 ~ Apr. 4, 2022

Date of issue.....: Apr. 6, 2022

Result.....: **PASS**

Compiled by:
(Printed name+signature) Zaki Zhang *Zaki Zhang*

Supervised by:
(Printed name+signature) Miller Ma *Miller Ma*

Approved by:
(Printed name+signature) Totti Zhao *Totti Zhao*

Testing Laboratory Name: **CTC Laboratories, Inc.**

Address.....: 1-2/F., Building 2, Jiaquan Building, Guanlan High-Tech Park, Shenzhen, Guangdong, China

This test report may be duplicated completely for legal use with the approval of the applicant. It should not be reproduced except in full, without the written approval of our laboratory. The client should not use it to claim product endorsement by CTC. The test results in the report only apply to the tested sample. The test report shall be invalid without all the signatures of testing engineers, reviewer and approver. Any objections must be raised to CTC within 15 days since the date when the report is received. It will not be taken into consideration beyond this limit. The test report merely correspond to the test sample.



Table of Contents

Page

- 1. TEST SUMMARY 3
 - 1.1. TEST STANDARDS 3
 - 1.2. REPORT VERSION 3
 - 1.3. TEST DESCRIPTION 4
 - 1.4. TEST FACILITY 5
 - 1.5. MEASUREMENT UNCERTAINTY 5
 - 1.6. ENVIRONMENTAL CONDITIONS 6
- 2. GENERAL INFORMATION 7
 - 2.1. CLIENT INFORMATION 7
 - 2.2. GENERAL DESCRIPTION OF EUT 8
 - 2.3. ACCESSORY EQUIPMENT INFORMATION 9
 - 2.4. OPERATION STATE 10
 - 2.5. MEASUREMENT INSTRUMENTS LIST 12
- 3. TEST ITEM AND RESULTS 14
 - 3.1. CONDUCTED EMISSION 14
 - 3.2. RADIATED EMISSION 17
 - 3.3. BAND EDGE EMISSIONS 92
 - 3.4. BANDWIDTH TEST 173
 - 3.5. OUTPUT POWER TEST 175
 - 3.6. POWER SPECTRAL DENSITY TEST 177
 - 3.7. FREQUENCY STABILITY MEASUREMENT 179
 - 3.8. ANTENNA REQUIREMENT 180
 - 3.9. DYNAMIC FREQUENCY SELECTION(DFS)..... 181



1. TEST SUMMARY

1.1. Test Standards

The tests were performed according to following standards:

[FCC Part 15, Subpart E\(15.407\)](#) — for 802.11a/n/ac, the test procedure follows the FCC KDB 789033 D02 General UNII Test Procedures New Rules V02r01.

[RSS-247 Issue 2 February 2017](#) — Digital Transmission Systems (DTSS), Frequency Hopping Systems (FHSs) and Licence-Exempt Local Area Network (LE-LAN) Devices

[RSS-Gen](#) — General Requirements for Compliance of Radio Apparatus

1.2. Report version

Revised No.	Date of issue	Description
01	Apr. 6, 2022	Original



1.3. Test Description

FCC Part 15 Subpart E (15.407) / RSS-247 Issue 2 February 2017				
Test Item	Test require		Result	Test Engineer
	FCC	IC		
Antenna Requirement	15.203	/	Pass	Alicia Liu
Conducted Emission	15.207	RSS-Gen 8.8	Pass	Jojo He
Band Edge Emissions	15.407(b)	RSS-247 6.2.1.2 RSS-247 6.2.2.2 RSS-247 6.2.4.2	Pass	Alicia Liu
26dB Bandwidth & 99% Bandwidth	15.407(a) (5)	RSS-247 6.2.1.2	Pass	Alicia Liu
6dB Bandwidth (only for UNII-3)	15.407(e)	RSS-247 6.2.4.1	Pass	Alicia Liu
Peak Output Power	15.407(a)	RSS-247 6.2.1.1 RSS-247 6.2.4.1	Pass	Alicia Liu
Power Spectral Density	15.407(a)	RSS-247 6.2	Pass	Alicia Liu
Transmitter Radiated Spurious Emission	15.407(b) &15.209	RSS-Gen 8.9 RSS-247 6.2.1.2 RSS-247 6.2.4.2	Pass	Alicia Liu
Frequency Stability	15.407(g)	/	Pass	Alicia Liu
Dynamic Frequency Selection (DFS)	15.407(h)	RSS-247 6.3	Pass	Alicia Liu

Note: "N/A" is not applicable.

The measurement uncertainty is not included in the test result.



1.4. Test Facility

CTC Laboratories, Inc.

Add: 1-2/F., Building 2, Jiaquan Building, Guanlan High-Tech Park, Shenzhen, Guangdong, China

Laboratory accreditation

The test facility is recognized, certified, or accredited by the following organizations:

CNAS-Lab Code: L5365

CTC Laboratories, Inc. has been assessed and proved to be in compliance with CNAS-CL01 Accreditation .Criteria for Testing and Calibration Laboratories (identical to ISO/IEC17025:2017 General Requirements) f or the Competence of Testing and Calibration Laboratories.

A2LA-Lab Cert. No.: 4340.01

CTC Laboratories, Inc. EMC Laboratory has been accredited by A2LA for technical competence in the field of electrical testing, and proved to be in compliance with ISO/IEC 17025:2017 General Requirements for the Competence of Testing and Calibration Laboratories and any additional program requirements in the identified field of testing.

Industry Canada (Registration No.: 9783A, CAB Identifier: CN0029)

CTC Laboratories, Inc. EMC Laboratory has been registered by Certification and Engineer Bureau of Indus try Canada for the performance of with Registration NO.: 9783A on Jan, 2016.

FCC (Registration No.: 951311, Designation Number CN1208)

CTC Laboratories, Inc. EMC Laboratory has been registered and fully described in a report filed with the (FCC) Federal Communications Commission. The acceptance letter from the FCC is maintained in our files. Registration 951311, Aug 26, 2017.

1.5. Measurement Uncertainty

The data and results referenced in this document are true and accurate. The reader is cautioned that there may be errors within the calibration limits of the equipment and facilities. The measurement uncertainty was calculated for all measurements listed in this test report acc. to TR-100028-01” Electromagnetic compatibility and Radio spectrum Matters (ERM); Uncertainties in the measurement of mobile radio equipment characteristics; Part 1” and TR-100028-02 “Electromagnetic compatibility and Radio spectrum Matters (ERM); Uncertainties in the measurement of mobile radio equipment characteristics; Part 2 “ and is documented in the CTC Laboratories, Inc. quality system acc. to DIN EN ISO/IEC 17025. Furthermore, component and process variability of devices similar to that tested may result in additional deviation. The manufacturer has the sole responsibility of continued compliance of the device.

Below is the best measurement capability for CTC Laboratories, Inc.



Test Items	Measurement Uncertainty	Notes
Transmitter power conducted	0.42 dB	(1)
Transmitter power Radiated	2.14 dB	(1)
Conducted spurious emissions 9kHz~40GHz	1.60 dB	(1)
Radiated spurious emissions 9kHz~40GHz	2.20 dB	(1)
Conducted Emissions 9kHz~30MHz	3.08 dB	(1)
Radiated Emissions 30~1000MHz	4.51 dB	(1)
Radiated Emissions 1~18GHz	5.84 dB	(1)
Radiated Emissions 18~40GHz	6.12 dB	(1)
Occupied Bandwidth	-----	(1)

Note (1): This uncertainty represents an expanded uncertainty expressed at approximately the 95% confidence level using a coverage factor of $k=1.96$.

1.6. Environmental conditions

Normal Condition	Temperature	22 °C ~ 28°C
	Relative humidity	50% ~ 65%
	Voltage	The equipment shall be the nominal voltage for which the equipment was designed.
Extreme Condition	Temperature	Measurements shall be made over the extremes of the operating temperature range as declared by the manufacturer
	Voltage	Measurements shall be made over the extremes of the operating voltage range as declared by the manufacturer

Normal Condition	T_N =Normal Temperature	21 °C ~ 27°C
Extreme Condition	T_L =Lower Temperature	0 °C
	T_H =Higher Temperature	50 °C



2. GENERAL INFORMATION

2.1. Client Information

Applicant:	HONGKONG UCLOUDLINK NETWORK TECHNOLOGY LIMITED
Address:	Suite 603, 6/F, Laws Commercial Plaza, 788 Cheung Sha Wan Road, Kowloon, Hong Kong
Manufacturer:	HONGKONG UCLOUDLINK NETWORK TECHNOLOGY LIMITED
Address:	Suite 603, 6/F, Laws Commercial Plaza, 788 Cheung Sha Wan Road, Kowloon, Hong Kong



2.2. General Description of EUT

Product Name:	5G Wireless Data Terminal			
Trade Mark:	GlocalMe			
Model/Type reference:	GLMU21A01			
Power supply:	DC 9V 2A			
Hardware version:	U50_M_PCB_VB			
Software version:	U50_TVS1.0.100.004.211210			
Antenna type:	FPC Antenna			
Antenna gain:	U-NII-1: 1.85dBi U-NII-2A: 1.98dBi U-NII-2C: 4.19dBi U-NII-3: 4.63dBi			
Technical index for 5G WIFI				
Operation Band:	<input checked="" type="checkbox"/> U-NII-1	<input checked="" type="checkbox"/> U-NII-2A	<input checked="" type="checkbox"/> U-NII-2C	<input checked="" type="checkbox"/> U-NII-3
Operation Frequency Range:	U-NII-1:	5150MHz~5250MHz		
	U-NII-2A:	5250MHz~5350MHz		
	U-NII-2C:	5470MHz~5725MHz		
	U-NII-3:	5725MHz~5850MHz		
Support bandwidth:	802.11a	<input checked="" type="checkbox"/> 20MHz		
	802.11n	<input checked="" type="checkbox"/> 20MHz	<input checked="" type="checkbox"/> 40MHz	
	802.11ac	<input checked="" type="checkbox"/> 20MHz	<input checked="" type="checkbox"/> 40MHz	<input checked="" type="checkbox"/> 80MHz <input type="checkbox"/> 160MHz
Modulation:	802.11a: OFDM (BIT/SK, QPSK, BPSK, 16QAM) 802.11n: OFDM (BIT/SK, QPSK, BPSK, 16QAM, 64QAM) 802.11ac: OFDM (BIT/SK, QPSK, BPSK, 16QAM, 64QAM, 256QAM)			
Bit Rate of Transmitter:	802.11a: 6/9/12/18/24/36/48/54 Mbps 802.11n: up to 300Mbps 802.11ac: at most 866.7 Mbps			

Remark: This device does not transmit any beacons or initiate any transmissions in UNII Band 2A or 2C.



2.3. Accessory Equipment information

Equipment Information			
Name	Model	S/N	Manufacturer
GPON Terminal	EchoLife EG8247Q	---	HUAWEI
Notebook	ThinkBook 14 G3 ACL	---	Lenovo
Cable Information			
Name	Shielded Type	Ferrite Core	Length
USB Cable	Unshielded	NO	100cm
Test Software Information			
Name	Versions	/	/
QRCT4	4.0-00172	/	/



2.4. Operation state

Operation Frequency List:

Band (MHz)	20MHz Bandwidth		40MHz Bandwidth		80MHz Bandwidth			
	Channel	Frequency (MHz)	Channel	Frequency (MHz)	Channel	Frequency (MHz)		
U-NII-1	36	5180	38	5190	42	5210		
	40	5200						
	44	5220	46	5230				
	48	5240						
U-NII-2A	52	5260	54	5270	56	5290		
	56	5280						
	60	5300	62	5310				
	64	5320						
U-NII-2C	100	5500	102	5510	106	5530		
	104	5520						
	108	5540	110	5550				
	112	5560						
	116	5580	118	5590	122	5610		
	120	5600						
	124	5620	126	5630				
	128	5640						
	132	5660	134	5670				
	136	5680						
	140	5700						
U-NII-3	149	5745	151	5755			155	5775
	153	5765						
	157	5785	159	5795				
	161	5805						
	165	5825						



Test channel is below:

Operating Band	Test Channel	20MHz		40MHz		80MHz	
		Channel	Frequency (MHz)	Channel	Frequency (MHz)	Channel	Frequency (MHz)
U-NII-1	CH _L	36	5180	38	5190	/	/
	CH _M	40	5200	/	/	42	5210
	CH _H	48	5240	46	5230	/	/
U-NII-2A	CH _L	52	5260	54	5270	/	/
	CH _M	56	5280	/	/	56	5290
	CH _H	64	5320	62	5310	/	/
U-NII-2C	CH _L	100	5500	102	5510	106	5530
	CH _M	116	5580	110	5550	/	/
	CH _H	140	5700	134	5670	122	5610
U-NII-3	CH _L	149	5745	151	5755	/	/
	CH _M	157	5785	/	/	155	5775
	CH _H	165	5825	159	5795	/	/

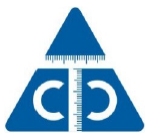
Data Rated

Preliminary tests were performed in different data rate, and found which the below bit rate is worst case mode, so only show data which it is a worst case mode.

Mode	Data rate (worst mode)
802.11a	6Mbps
802.11n(HT20)/ 802.11n(HT40)	HT-MCS0
802.11ac(VHT20)/ 802.11ac(VHT40) / 802.11ac(VHT80)	VHT-MCS0

Test mode

For RF test items
The engineering test program was provided and enabled to make EUT continuous transmit.
For AC power line conducted emissions:
The EUT was set to connect with the WLAN AP under large package sizes transmission.
For Radiated spurious emissions test item:
The engineering test program was provided and enabled to make EUT continuous transmit. The EUT in each of three orthogonal axis emissions had been tested, but only the worst case (X axis) data Recorded in the report.
For DFS test items
The EUT has been tested under test mode condition. The Applicant provides software to control the EUT for staying in DFS mode for testing.



2.5. Measurement Instruments List

Tonscend JS0806-2 Test system					
Item	Test Equipment	Manufacturer	Model No.	Serial No.	Calibrated until
1	Spectrum Analyzer	Rohde & Schwarz	FSU26	100105	Dec. 25, 2021
2	Spectrum Analyzer	Rohde & Schwarz	FUV40-N	101331	Mar. 14, 2023
3	Spectrum Analyzer	KEYSIGHT	N9020A	100231	Dec. 25, 2021
4	MXG Vector Signal Generator	Agilent	N5182A	MY47420864	Dec. 25, 2021
5	Signal Generator	Agilent	E8257D	MY46521908	Dec. 25, 2021
6	Power Sensor	Agilent	U2021XA	MY5365004	Mar. 14, 2023
7	Power Sensor	Agilent	U2021XA	MY5365006	Mar. 14, 2023
8	Simultaneous Sampling DAQ	Agilent	U2531A	TW54493510	Mar. 14, 2023
9	Climate Chamber	TABAI	PR-4G	A8708055	Dec. 25, 2021
10	Wideband Radio Communication Tester	Rohde & Schwarz	CMW500	116410	Dec. 25, 2021
11	Climate Chamber	ESPEC	MT3065	/	Dec. 25, 2021
12	300328 v2.2.2 test system	TONSCEND	v2.6	/	/

Radiated emission(3m chamber 2)					
Item	Test Equipment	Manufacturer	Model No.	Serial No.	Calibrated Until
1	Trilog-Broadband Antenna	Schwarzbeck	VULB 9168	9168-1013	Jan.12, 2022
2	Horn Antenna	Schwarzbeck	BBHA 9120D	9120D-647	Dec. 24, 2021
3	Spectrum Analyzer	R&S	FSU26	100105	Dec. 25, 2021
4	Spectrum Analyzer	R&S	FSV40-N	101331	Mar. 15, 2022
5	Pre-Amplifier	SONOMA	310	186194	Dec. 25, 2021
6	Low Noise Pre-Amplifier	EMCI	EMC051835	980075	Dec. 25, 2021
7	Test Receiver	R&S	ESC17	100967	Dec. 25, 2021

Radiated emission(3m chamber 3)					
Item	Test Equipment	Manufacturer	Model No.	Serial No.	Calibrated Until
1	Trilog-Broadband Antenna	Schwarzbeck	VULB 9168	9168-759	Nov.09, 2021
2	Horn Antenna	Schwarzbeck	BBHA 9120D	9120D-647	Dec. 24, 2021
3	Test Receiver	Keysight	N9038A	MY56400071	Dec. 25, 2021
4	Broadband Prempplier	SCHWARZBECK	BBV9743B	259	Dec. 25, 2021
5	Mirowave Broadband Amplifier	SCHWARZBECK	BBV9718C	111	Dec. 25, 2021



Conducted Emission					
Item	Test Equipment	Manufacturer	Model No.	Serial No.	Calibrated until
1	LISN	R&S	ENV216	101112	Dec. 25, 2021
2	LISN	R&S	ENV216	101113	Dec. 25, 2021
3	EMI Test Receiver	R&S	ESCI	100658	Dec. 25, 2021

Note: 1. The Cal. Interval was one year.

2. The cable loss has calculated in test result which connection between each test instruments.

3. TEST ITEM AND RESULTS

3.1. Conducted Emission

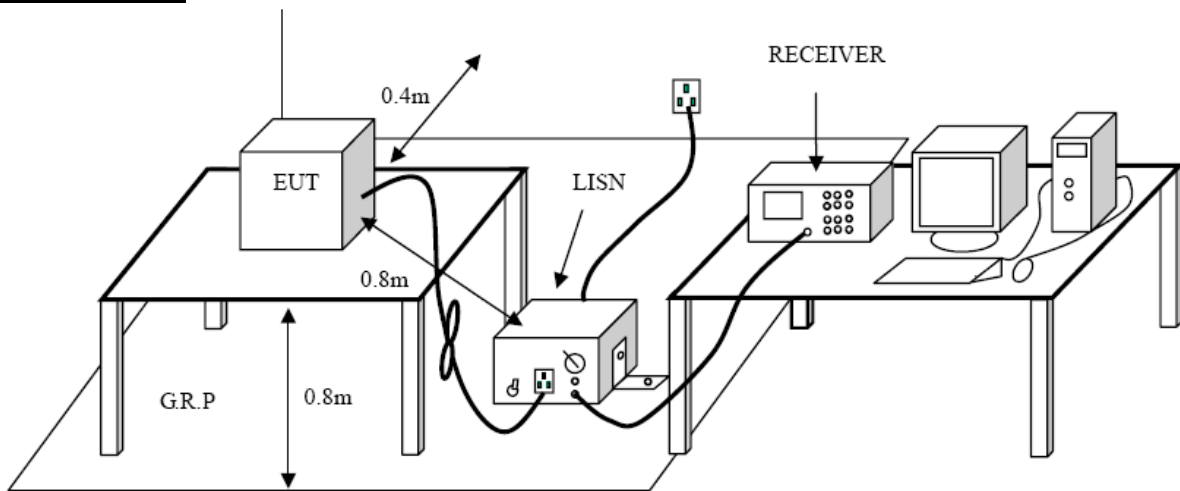
Limit

FCC CFR Title 47 Part 15 Subpart C Section 15.207/ RSS – Gen 8.8:

Frequency range (MHz)	Limit (dBuV)	
	Quasi-peak	Average
0.15-0.5	66 to 56*	56 to 46*
0.5-5	56	46
5-30	60	50

* Decreases with the logarithm of the frequency.

Test Configuration



Test Procedure

1. The EUT was setup according to ANSI C63.10:2013 requirements.
2. The EUT was placed on a platform of nominal size, 1 m by 1.5 m, raised 80 cm above the conducting ground plane. The vertical conducting plane was located 40 cm to the rear of the EUT. All other surfaces of EUT were at least 80 cm from any other grounded conducting surface.
3. The EUT and simulators are connected to the main power through a line impedances stabilization network (LISN). The LISN provides a 50 ohm /50uH coupling impedance for the measuring equipment.
The peripheral devices are also connected to the main power through a LISN. (Please refer to the block diagram of the test setup and photographs)
4. Each current-carrying conductor of the EUT power cord, except the ground (safety) conductor, was individually connected through a LISN to the input power source.
5. The excess length of the power cord between the EUT and the LISN receptacle were folded back and forth at the center of the lead to form a bundle not exceeding 40 cm in length.
6. Conducted Emissions were investigated over the frequency range from 0.15MHz to 30MHz using a receiver bandwidth of 9 kHz.
7. During the above scans, the emissions were maximized by cable manipulation.

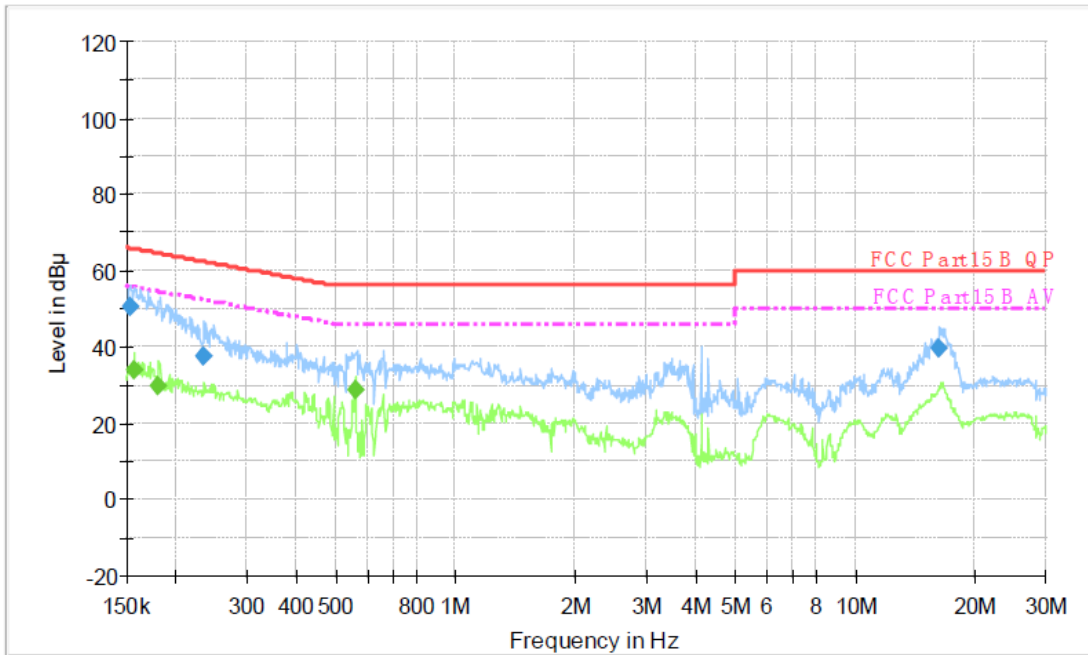
Test Mode

Please refer to the clause 2.4.



Test Results

Test Voltage:	AC 120V/60 Hz
Terminal:	Line



Final Measurement Detector 1

Frequency (MHz)	QuasiPeak (dBu V)	Meas. Time (ms)	Bandwidth (kHz)	Filter	Line	Corr. (dB)	Margin (dB)	Limit (dBu V)	Comment
0.153640	50.5	1000.00	9.000	On	L1	9.7	15.3	65.8	
0.234570	37.6	1000.00	9.000	On	L1	9.7	24.7	62.3	
16.273100	39.4	1000.00	9.000	On	L1	9.8	20.6	60.0	

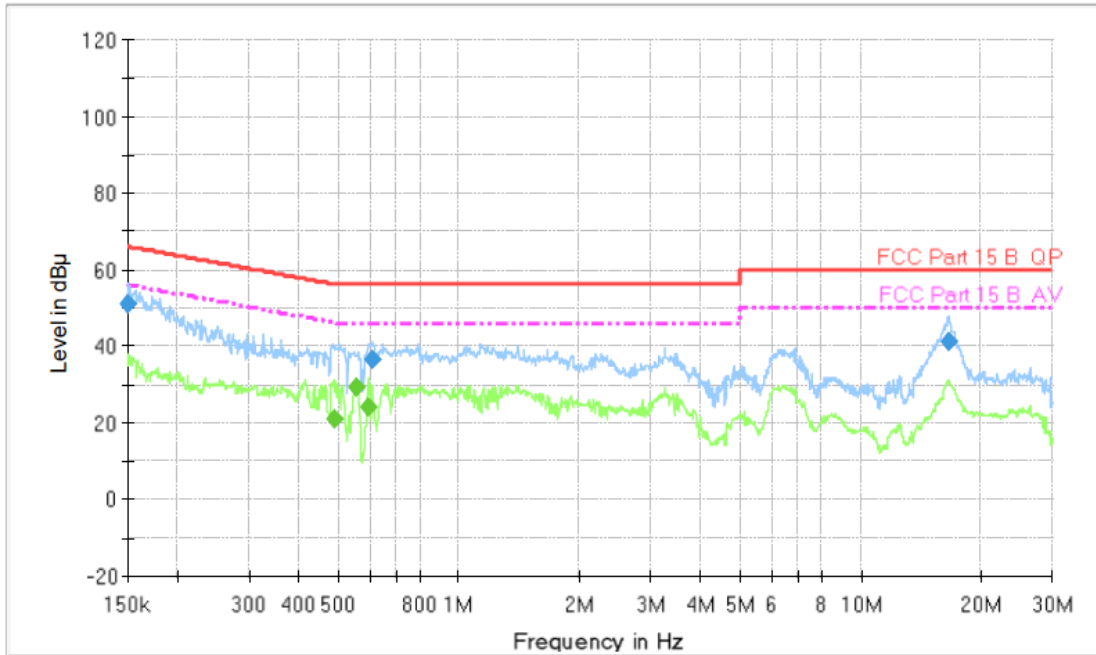
Final Measurement Detector 2

Frequency (MHz)	Average (dBu V)	Meas. Time (ms)	Bandwidth (kHz)	Filter	Line	Corr. (dB)	Margin (dB)	Limit (dBu V)	Comment
0.156730	34.1	1000.00	9.000	On	L1	9.7	21.5	55.6	
0.180960	30.0	1000.00	9.000	On	L1	9.7	24.4	54.4	
0.560040	28.9	1000.00	9.000	On	L1	9.7	17.1	46.0	

Emission Level= Read Level+ Correct Factor



Test Voltage:	AC 120V/60 Hz
Terminal:	Neutral



Final Measurement Detector 1

Frequency (MHz)	QuasiPeak (dBμ V)	Meas. Time (ms)	Bandwidth (kHz)	Filter	Line	Corr. (dB)	Margin (dB)	Limit (dBμ V)	Comment
0.150000	51.0	1000.00	9.000	On	N	10.0	15.0	66.0	
0.609010	36.7	1000.00	9.000	On	N	10.0	19.3	56.0	
16.535040	41.4	1000.00	9.000	On	N	10.0	18.6	60.0	

Final Measurement Detector 2

Frequency (MHz)	Average (dBμ V)	Meas. Time (ms)	Bandwidth (kHz)	Filter	Line	Corr. (dB)	Margin (dB)	Limit (dBμ V)	Comment
0.492880	21.2	1000.00	9.000	On	N	10.0	24.9	46.1	
0.555580	29.1	1000.00	9.000	On	N	10.0	16.9	46.0	
0.592230	24.2	1000.00	9.000	On	N	10.0	21.8	46.0	

Emission Level= Read Level+ Correct Factor



3.2. Radiated Emission

Limit

FCC CFR Title 47 Part 15 Subpart C Section 15.209/ RSS-Gen 8.9

Frequency	Limit (dBuV/m @3m)	Value
30 MHz ~ 88 MHz	40.00	Quasi-peak
88 MHz ~ 216 MHz	43.50	Quasi-peak
216 MHz ~ 960 MHz	46.00	Quasi-peak
960 MHz ~ 1 GHz	54.00	Quasi-peak
Above 1 GHz	54.00	Average
	74.00	Peak

Note:

- (1) The tighter limit applies at the band edges.
- (2) Emission Level (dBuV/m)= 20log Emission Level (uV/m).

Limits of unwanted emission out of the restricted bands

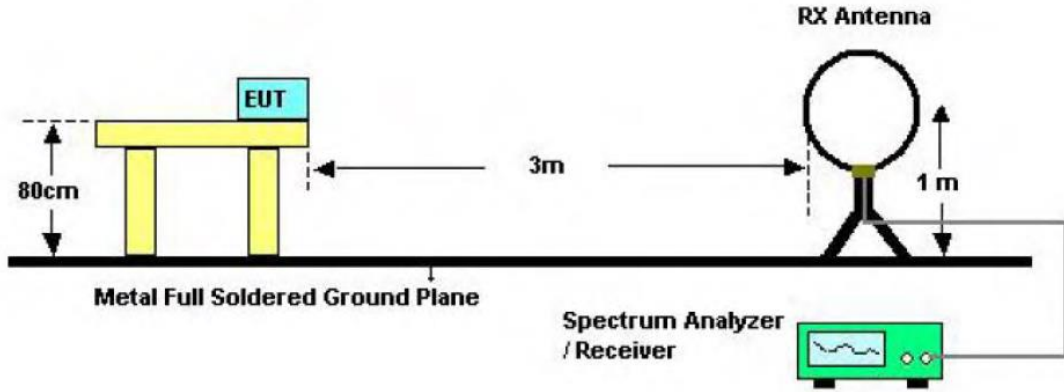
FCC CFR Title 47 Part 15 Subpart C Section 15.407(b)/ RSS-247 6.2.1.2 & RSS-247 6.2.4.2

Frequency (MHz)	EIRP Limits (dBm)	Equivalent Field Strength at 3m (dBuV/m)
5150~5250	-27	68.2
5250~5350	-27	68.2
5470~5725	-27	68.2
5725~5825	-27(Note 2)	68.2
	10(Note 2)	105.2
	15.6(Note 2)	110.8
	27(Note 2)	122.2

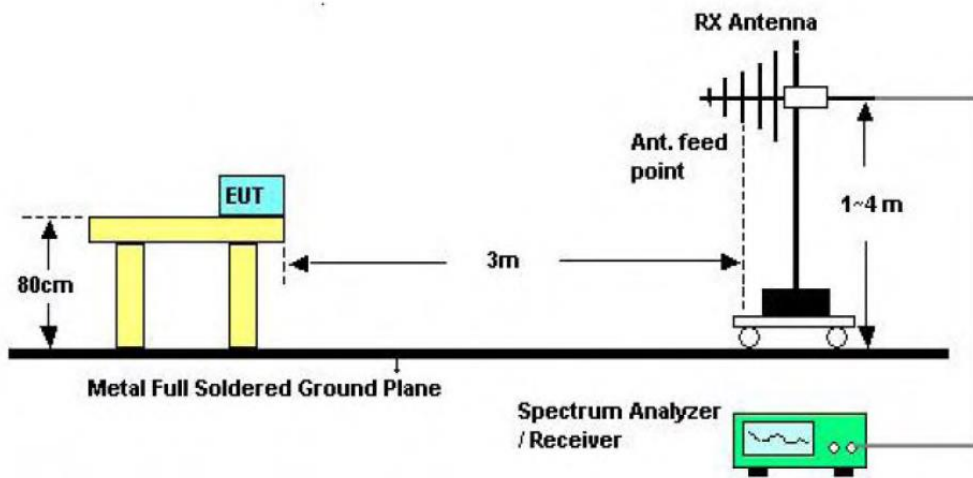
Note: 1. The following formula is used to convert the equipment isotropic radiated power (eirp) to field strength: $E = \frac{1000000\sqrt{30P}}{3}$ uV/m, where P is the eirp (Watts)

2. According to FCC 16-24, All emissions shall be limited to a level of -27 dBm/MHz at 75 MHz or more above or below the band edge increasing linearly to 10 dBm/MHz at 25 MHz above or below the band edge, and from 25MHz above or below the band edge increasing linearly to a level of 15.6 dBm/MHz at 5 MHz above or below the band edge, and from 5 MHz above or below the band edge increasing linearly to a level of 27dBm/MHz at the band edge.

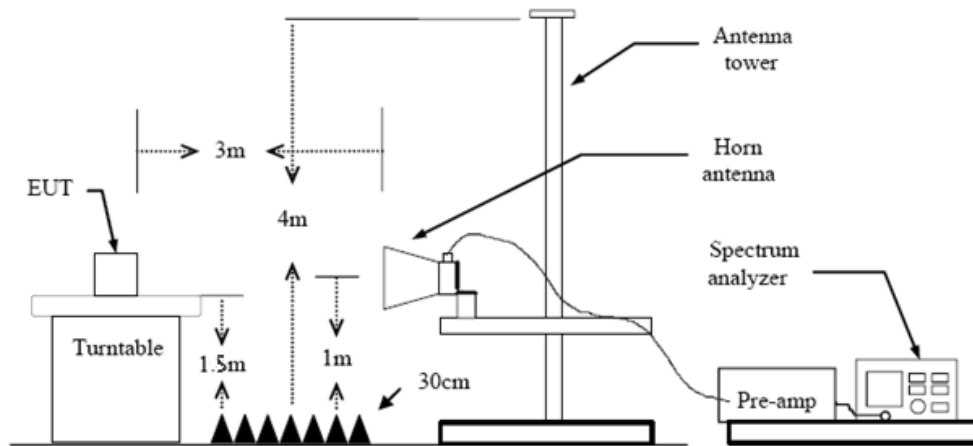
Test Configuration



Below 30MHz Test Setup



Below 1000MHz Test Setup



Above 1GHz Test Setup

Test Procedure

1. The EUT was setup and tested according to ANSI C63.10:2013
2. The EUT is placed on a turn table which is 0.8 meter above ground for below 1 GHz, and 1.5 m for above 1 GHz. The turn table is rotated 360 degrees to determine the position of the maximum emission level.



3. The EUT was set 3 meters from the receiving antenna, which was mounted on the top of a variable height antenna tower.
4. For each suspected emission, the EUT was arranged to its worst case and then tune the Antenna tower (from 1 m to 4 m) and turntable (from 0 degree to 360 degrees) to find the maximum reading. A pre-amp and a high pass filter are used for the test in order to get better signal level to comply with the guidelines.
5. Set to the maximum power setting and enable the EUT transmit continuously.
6. Use the following spectrum analyzer settings
 - (1) Span shall wide enough to fully capture the emission being measured;
 - (2) Below 1 GHz:
RBW=120 kHz, VBW=300 kHz, Sweep=auto, Detector function=peak, Trace=max hold;
If the emission level of the EUT measured by the peak detector is 3 dB lower than the applicable limit, the peak emission level will be reported. Otherwise, the emission measurement will be repeated using the quasi-peak detector and reported.
 - (3) From 1 GHz to 10th harmonic:
RBW=1MHz, VBW=3MHz Peak detector for Peak value.
RBW=1MHz, VBW \geq 1/T Peak detector for Average value.
Note 1: For the 1/T& Duty Cycle please refer to clause Duty Cycle.

Test Mode

Please refer to the clause 2.4.

Test Result

9 KHz~30 MHz

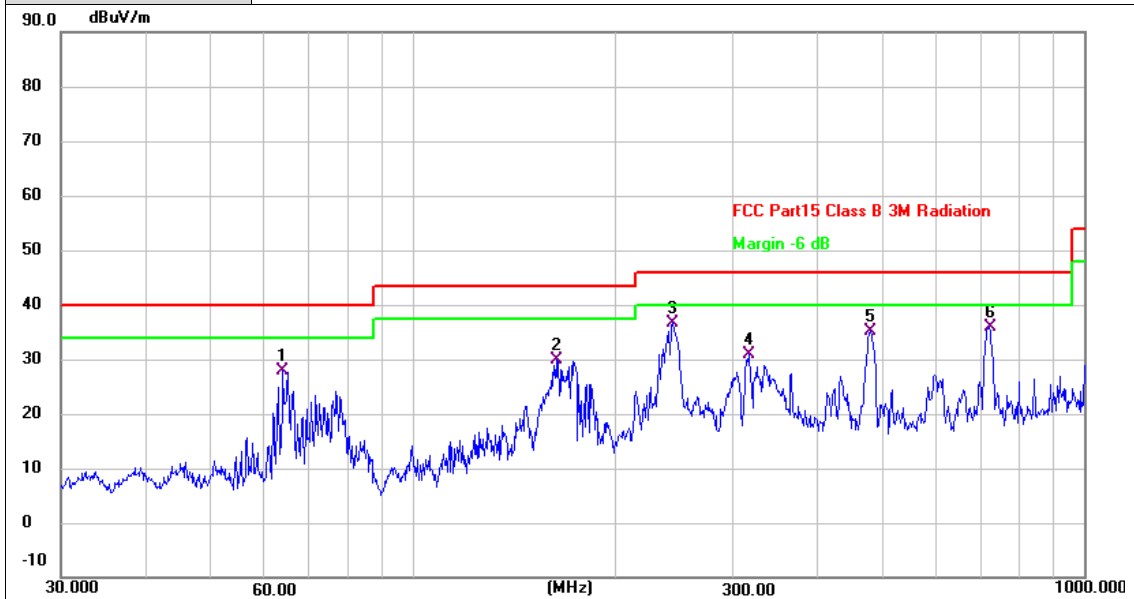
From 9 KHz to 30 MHz: Conclusion: PASS

Note: The amplitude of spurious emissions which are attenuated by more than 20dB below the permissible value has no need to be reported.



30MHz-1GHz

Ant. Pol.:	Horizontal
Test Mode:	TX 802.11a Mode 5180MHz (U-NII-1)
Remark:	Only worse case is reported



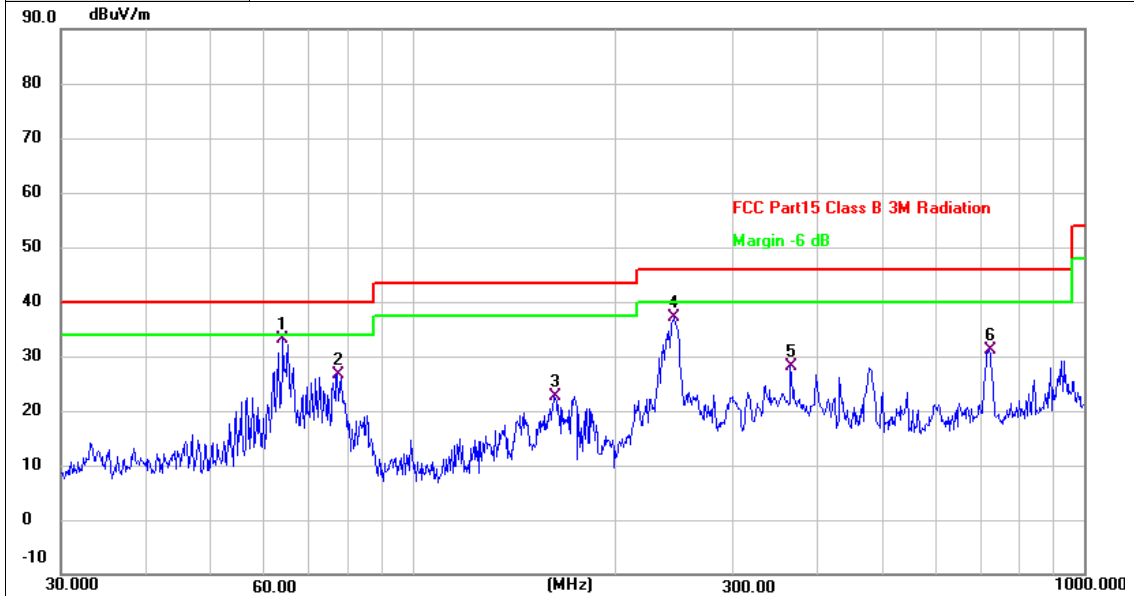
No.	Frequency (MHz)	Reading (dBuV)	Factor (dB/m)	Level (dBuV/m)	Limit (dBuV/m)	Margin (dB)	Detector
1	64.2074	47.26	-19.38	27.88	40.00	-12.12	QP
2	163.7550	47.78	-17.96	29.82	43.50	-13.68	QP
3 *	244.2321	55.82	-19.31	36.51	46.00	-9.49	QP
4	316.5890	48.36	-17.41	30.95	46.00	-15.05	QP
5	480.5276	49.12	-14.02	35.10	46.00	-10.90	QP
6	721.7259	45.97	-10.18	35.79	46.00	-10.21	QP

Remarks:

1. Factor (dB/m) = Antenna Factor (dB/m)+Cable Factor (dB)-Pre-amplifier Factor
2. Margin value = Level -Limit value



Ant. Pol.:	Vertical
Test Mode:	TX 802.11a Mode 5180MHz (U-NII-1)
Remark:	Only worse case is reported



No.	Frequency (MHz)	Reading (dBuV)	Factor (dB/m)	Level (dBuV/m)	Limit (dBuV/m)	Margin (dB)	Detector
1 *	64.2074	52.45	-19.38	33.07	40.00	-6.93	QP
2	77.3212	48.31	-21.61	26.70	40.00	-13.30	QP
3	162.6106	40.60	-17.86	22.74	43.50	-20.76	QP
4	245.0900	56.32	-19.27	37.05	46.00	-8.95	QP
5	365.5391	44.58	-16.36	28.22	46.00	-17.78	QP
6	721.7259	41.21	-10.18	31.03	46.00	-14.97	QP

Remarks:
 1. Factor (dB/m) = Antenna Factor (dB/m)+Cable Factor (dB)-Pre-amplifier Factor
 2. Margin value = Level -Limit value



Above 1GHz

Ant No.:	Ant 8																														
Ant. Pol.:	Horizontal																														
Test Mode:	TX 802.11a Mode 5180MHz (U-NII-1)																														
Remark:	No report for the emission which more than 10 dB below the prescribed limit.																														
<table border="1"> <thead> <tr> <th>No.</th> <th>Frequency (MHz)</th> <th>Reading (dBuV)</th> <th>Factor (dB/m)</th> <th>Level (dBuV/m)</th> <th>Limit (dBuV/m)</th> <th>Margin (dB)</th> <th>Detector</th> </tr> </thead> <tbody> <tr> <td>1 *</td> <td>10359.801</td> <td>23.30</td> <td>13.60</td> <td>36.90</td> <td>54.00</td> <td>-17.10</td> <td>AVG</td> </tr> <tr> <td>2</td> <td>10360.019</td> <td>38.02</td> <td>13.60</td> <td>51.62</td> <td>74.00</td> <td>-22.38</td> <td>peak</td> </tr> </tbody> </table>								No.	Frequency (MHz)	Reading (dBuV)	Factor (dB/m)	Level (dBuV/m)	Limit (dBuV/m)	Margin (dB)	Detector	1 *	10359.801	23.30	13.60	36.90	54.00	-17.10	AVG	2	10360.019	38.02	13.60	51.62	74.00	-22.38	peak
No.	Frequency (MHz)	Reading (dBuV)	Factor (dB/m)	Level (dBuV/m)	Limit (dBuV/m)	Margin (dB)	Detector																								
1 *	10359.801	23.30	13.60	36.90	54.00	-17.10	AVG																								
2	10360.019	38.02	13.60	51.62	74.00	-22.38	peak																								
Remarks: 1.Factor (dB/m) = Antenna Factor (dB/m)+Cable Factor (dB)-Pre-amplifier Factor 2.Margin value = Level -Limit value																															

Ant No.:	Ant 8																														
Ant. Pol.:	Vertical																														
Test Mode:	TX 802.11a Mode 5180MHz (U-NII-1)																														
Remark:	No report for the emission which more than 10 dB below the prescribed limit.																														
<table border="1"> <thead> <tr> <th>No.</th> <th>Frequency (MHz)</th> <th>Reading (dBuV)</th> <th>Factor (dB/m)</th> <th>Level (dBuV/m)</th> <th>Limit (dBuV/m)</th> <th>Margin (dB)</th> <th>Detector</th> </tr> </thead> <tbody> <tr> <td>1</td> <td>10359.736</td> <td>39.26</td> <td>13.60</td> <td>52.86</td> <td>74.00</td> <td>-21.14</td> <td>peak</td> </tr> <tr> <td>2 *</td> <td>10360.875</td> <td>24.03</td> <td>13.60</td> <td>37.63</td> <td>54.00</td> <td>-16.37</td> <td>AVG</td> </tr> </tbody> </table>								No.	Frequency (MHz)	Reading (dBuV)	Factor (dB/m)	Level (dBuV/m)	Limit (dBuV/m)	Margin (dB)	Detector	1	10359.736	39.26	13.60	52.86	74.00	-21.14	peak	2 *	10360.875	24.03	13.60	37.63	54.00	-16.37	AVG
No.	Frequency (MHz)	Reading (dBuV)	Factor (dB/m)	Level (dBuV/m)	Limit (dBuV/m)	Margin (dB)	Detector																								
1	10359.736	39.26	13.60	52.86	74.00	-21.14	peak																								
2 *	10360.875	24.03	13.60	37.63	54.00	-16.37	AVG																								
Remarks: 1.Factor (dB/m) = Antenna Factor (dB/m)+Cable Factor (dB)-Pre-amplifier Factor 2.Margin value = Level -Limit value																															



Ant No.:	Ant 8																														
Ant. Pol.:	Horizontal																														
Test Mode:	TX 802.11a Mode 5200MHz (U-NII-1)																														
Remark:	No report for the emission which more than 10 dB below the prescribed limit.																														
<table border="1"> <thead> <tr> <th>No.</th> <th>Frequency (MHz)</th> <th>Reading (dBuV)</th> <th>Factor (dB/m)</th> <th>Level (dBuV/m)</th> <th>Limit (dBuV/m)</th> <th>Margin (dB)</th> <th>Detector</th> </tr> </thead> <tbody> <tr> <td>1</td> <td>10399.798</td> <td>38.72</td> <td>13.67</td> <td>52.39</td> <td>74.00</td> <td>-21.61</td> <td>peak</td> </tr> <tr> <td>2 *</td> <td>10400.243</td> <td>23.92</td> <td>13.67</td> <td>37.59</td> <td>54.00</td> <td>-16.41</td> <td>AVG</td> </tr> </tbody> </table>								No.	Frequency (MHz)	Reading (dBuV)	Factor (dB/m)	Level (dBuV/m)	Limit (dBuV/m)	Margin (dB)	Detector	1	10399.798	38.72	13.67	52.39	74.00	-21.61	peak	2 *	10400.243	23.92	13.67	37.59	54.00	-16.41	AVG
No.	Frequency (MHz)	Reading (dBuV)	Factor (dB/m)	Level (dBuV/m)	Limit (dBuV/m)	Margin (dB)	Detector																								
1	10399.798	38.72	13.67	52.39	74.00	-21.61	peak																								
2 *	10400.243	23.92	13.67	37.59	54.00	-16.41	AVG																								
Remarks: 1. Factor (dB/m) = Antenna Factor (dB/m)+Cable Factor (dB)-Pre-amplifier Factor 2. Margin value = Level -Limit value																															

Ant No.:	Ant 8																														
Ant. Pol.:	Vertical																														
Test Mode:	TX 802.11a Mode 5200MHz (U-NII-1)																														
Remark:	No report for the emission which more than 10 dB below the prescribed limit.																														
<table border="1"> <thead> <tr> <th>No.</th> <th>Frequency (MHz)</th> <th>Reading (dBuV)</th> <th>Factor (dB/m)</th> <th>Level (dBuV/m)</th> <th>Limit (dBuV/m)</th> <th>Margin (dB)</th> <th>Detector</th> </tr> </thead> <tbody> <tr> <td>1</td> <td>10399.179</td> <td>39.67</td> <td>13.67</td> <td>53.34</td> <td>74.00</td> <td>-20.66</td> <td>peak</td> </tr> <tr> <td>2 *</td> <td>10400.287</td> <td>24.35</td> <td>13.67</td> <td>38.02</td> <td>54.00</td> <td>-15.98</td> <td>AVG</td> </tr> </tbody> </table>								No.	Frequency (MHz)	Reading (dBuV)	Factor (dB/m)	Level (dBuV/m)	Limit (dBuV/m)	Margin (dB)	Detector	1	10399.179	39.67	13.67	53.34	74.00	-20.66	peak	2 *	10400.287	24.35	13.67	38.02	54.00	-15.98	AVG
No.	Frequency (MHz)	Reading (dBuV)	Factor (dB/m)	Level (dBuV/m)	Limit (dBuV/m)	Margin (dB)	Detector																								
1	10399.179	39.67	13.67	53.34	74.00	-20.66	peak																								
2 *	10400.287	24.35	13.67	38.02	54.00	-15.98	AVG																								
Remarks: 1. Factor (dB/m) = Antenna Factor (dB/m)+Cable Factor (dB)-Pre-amplifier Factor 2. Margin value = Level -Limit value																															



Ant No.:	Ant 8																														
Ant. Pol.:	Horizontal																														
Test Mode:	TX 802.11a Mode 5240MHz (U-NII-1)																														
Remark:	No report for the emission which more than 10 dB below the prescribed limit.																														
<table border="1"> <thead> <tr> <th>No.</th> <th>Frequency (MHz)</th> <th>Reading (dBuV)</th> <th>Factor (dB/m)</th> <th>Level (dBuV/m)</th> <th>Limit (dBuV/m)</th> <th>Margin (dB)</th> <th>Detector</th> </tr> </thead> <tbody> <tr> <td>1 *</td> <td>10480.801</td> <td>22.83</td> <td>13.80</td> <td>36.63</td> <td>54.00</td> <td>-17.37</td> <td>AVG</td> </tr> <tr> <td>2</td> <td>10480.848</td> <td>38.49</td> <td>13.80</td> <td>52.29</td> <td>74.00</td> <td>-21.71</td> <td>peak</td> </tr> </tbody> </table>								No.	Frequency (MHz)	Reading (dBuV)	Factor (dB/m)	Level (dBuV/m)	Limit (dBuV/m)	Margin (dB)	Detector	1 *	10480.801	22.83	13.80	36.63	54.00	-17.37	AVG	2	10480.848	38.49	13.80	52.29	74.00	-21.71	peak
No.	Frequency (MHz)	Reading (dBuV)	Factor (dB/m)	Level (dBuV/m)	Limit (dBuV/m)	Margin (dB)	Detector																								
1 *	10480.801	22.83	13.80	36.63	54.00	-17.37	AVG																								
2	10480.848	38.49	13.80	52.29	74.00	-21.71	peak																								
Remarks: 1. Factor (dB/m) = Antenna Factor (dB/m)+Cable Factor (dB)-Pre-amplifier Factor 2. Margin value = Level -Limit value																															

Ant No.:	Ant 8																														
Ant. Pol.:	Vertical																														
Test Mode:	TX 802.11a Mode 5240MHz (U-NII-1)																														
Remark:	No report for the emission which more than 10 dB below the prescribed limit.																														
<table border="1"> <thead> <tr> <th>No.</th> <th>Frequency (MHz)</th> <th>Reading (dBuV)</th> <th>Factor (dB/m)</th> <th>Level (dBuV/m)</th> <th>Limit (dBuV/m)</th> <th>Margin (dB)</th> <th>Detector</th> </tr> </thead> <tbody> <tr> <td>1 *</td> <td>10479.089</td> <td>23.97</td> <td>13.80</td> <td>37.77</td> <td>54.00</td> <td>-16.23</td> <td>AVG</td> </tr> <tr> <td>2</td> <td>10480.071</td> <td>38.85</td> <td>13.80</td> <td>52.65</td> <td>74.00</td> <td>-21.35</td> <td>peak</td> </tr> </tbody> </table>								No.	Frequency (MHz)	Reading (dBuV)	Factor (dB/m)	Level (dBuV/m)	Limit (dBuV/m)	Margin (dB)	Detector	1 *	10479.089	23.97	13.80	37.77	54.00	-16.23	AVG	2	10480.071	38.85	13.80	52.65	74.00	-21.35	peak
No.	Frequency (MHz)	Reading (dBuV)	Factor (dB/m)	Level (dBuV/m)	Limit (dBuV/m)	Margin (dB)	Detector																								
1 *	10479.089	23.97	13.80	37.77	54.00	-16.23	AVG																								
2	10480.071	38.85	13.80	52.65	74.00	-21.35	peak																								
Remarks: 1. Factor (dB/m) = Antenna Factor (dB/m)+Cable Factor (dB)-Pre-amplifier Factor 2. Margin value = Level -Limit value																															



Ant No.:	Ant 9																														
Ant. Pol.:	Horizontal																														
Test Mode:	TX 802.11a Mode 5180MHz (U-NII-1)																														
Remark:	No report for the emission which more than 10 dB below the prescribed limit.																														
<table border="1"> <thead> <tr> <th>No.</th> <th>Frequency (MHz)</th> <th>Reading (dBuV)</th> <th>Factor (dB/m)</th> <th>Level (dBuV/m)</th> <th>Limit (dBuV/m)</th> <th>Margin (dB)</th> <th>Detector</th> </tr> </thead> <tbody> <tr> <td>1 *</td> <td>10359.870</td> <td>23.40</td> <td>14.13</td> <td>37.53</td> <td>54.00</td> <td>-16.47</td> <td>AVG</td> </tr> <tr> <td>2</td> <td>10360.110</td> <td>38.21</td> <td>14.13</td> <td>52.34</td> <td>74.00</td> <td>-21.66</td> <td>peak</td> </tr> </tbody> </table>								No.	Frequency (MHz)	Reading (dBuV)	Factor (dB/m)	Level (dBuV/m)	Limit (dBuV/m)	Margin (dB)	Detector	1 *	10359.870	23.40	14.13	37.53	54.00	-16.47	AVG	2	10360.110	38.21	14.13	52.34	74.00	-21.66	peak
No.	Frequency (MHz)	Reading (dBuV)	Factor (dB/m)	Level (dBuV/m)	Limit (dBuV/m)	Margin (dB)	Detector																								
1 *	10359.870	23.40	14.13	37.53	54.00	-16.47	AVG																								
2	10360.110	38.21	14.13	52.34	74.00	-21.66	peak																								
Remarks: 1. Factor (dB/m) = Antenna Factor (dB/m)+Cable Factor (dB)-Pre-amplifier Factor 2. Margin value = Level -Limit value																															

Ant No.:	Ant 9																														
Ant. Pol.:	Vertical																														
Test Mode:	TX 802.11a Mode 5180MHz (U-NII-1)																														
Remark:	No report for the emission which more than 10 dB below the prescribed limit.																														
<table border="1"> <thead> <tr> <th>No.</th> <th>Frequency (MHz)</th> <th>Reading (dBuV)</th> <th>Factor (dB/m)</th> <th>Level (dBuV/m)</th> <th>Limit (dBuV/m)</th> <th>Margin (dB)</th> <th>Detector</th> </tr> </thead> <tbody> <tr> <td>1 *</td> <td>10359.248</td> <td>21.78</td> <td>14.13</td> <td>35.91</td> <td>54.00</td> <td>-18.09</td> <td>AVG</td> </tr> <tr> <td>2</td> <td>10360.228</td> <td>37.89</td> <td>14.13</td> <td>52.02</td> <td>74.00</td> <td>-21.98</td> <td>peak</td> </tr> </tbody> </table>								No.	Frequency (MHz)	Reading (dBuV)	Factor (dB/m)	Level (dBuV/m)	Limit (dBuV/m)	Margin (dB)	Detector	1 *	10359.248	21.78	14.13	35.91	54.00	-18.09	AVG	2	10360.228	37.89	14.13	52.02	74.00	-21.98	peak
No.	Frequency (MHz)	Reading (dBuV)	Factor (dB/m)	Level (dBuV/m)	Limit (dBuV/m)	Margin (dB)	Detector																								
1 *	10359.248	21.78	14.13	35.91	54.00	-18.09	AVG																								
2	10360.228	37.89	14.13	52.02	74.00	-21.98	peak																								
Remarks: 1. Factor (dB/m) = Antenna Factor (dB/m)+Cable Factor (dB)-Pre-amplifier Factor 2. Margin value = Level -Limit value																															



Ant No.:	Ant 9																														
Ant. Pol.:	Horizontal																														
Test Mode:	TX 802.11a Mode 5200MHz (U-NII-1)																														
Remark:	No report for the emission which more than 10 dB below the prescribed limit.																														
<table border="1"> <thead> <tr> <th>No.</th> <th>Frequency (MHz)</th> <th>Reading (dBuV)</th> <th>Factor (dB/m)</th> <th>Level (dBuV/m)</th> <th>Limit (dBuV/m)</th> <th>Margin (dB)</th> <th>Detector</th> </tr> </thead> <tbody> <tr> <td>1</td> <td>10399.860</td> <td>38.72</td> <td>14.19</td> <td>52.91</td> <td>74.00</td> <td>-21.09</td> <td>peak</td> </tr> <tr> <td>2 *</td> <td>10400.214</td> <td>24.10</td> <td>14.19</td> <td>38.29</td> <td>54.00</td> <td>-15.71</td> <td>AVG</td> </tr> </tbody> </table>								No.	Frequency (MHz)	Reading (dBuV)	Factor (dB/m)	Level (dBuV/m)	Limit (dBuV/m)	Margin (dB)	Detector	1	10399.860	38.72	14.19	52.91	74.00	-21.09	peak	2 *	10400.214	24.10	14.19	38.29	54.00	-15.71	AVG
No.	Frequency (MHz)	Reading (dBuV)	Factor (dB/m)	Level (dBuV/m)	Limit (dBuV/m)	Margin (dB)	Detector																								
1	10399.860	38.72	14.19	52.91	74.00	-21.09	peak																								
2 *	10400.214	24.10	14.19	38.29	54.00	-15.71	AVG																								
Remarks: 1.Factor (dB/m) = Antenna Factor (dB/m)+Cable Factor (dB)-Pre-amplifier Factor 2.Margin value = Level -Limit value																															

Ant No.:	Ant 9																														
Ant. Pol.:	Vertical																														
Test Mode:	TX 802.11a Mode 5200MHz (U-NII-1)																														
Remark:	No report for the emission which more than 10 dB below the prescribed limit.																														
<table border="1"> <thead> <tr> <th>No.</th> <th>Frequency (MHz)</th> <th>Reading (dBuV)</th> <th>Factor (dB/m)</th> <th>Level (dBuV/m)</th> <th>Limit (dBuV/m)</th> <th>Margin (dB)</th> <th>Detector</th> </tr> </thead> <tbody> <tr> <td>1</td> <td>10400.025</td> <td>37.89</td> <td>14.19</td> <td>52.08</td> <td>74.00</td> <td>-21.92</td> <td>peak</td> </tr> <tr> <td>2 *</td> <td>10400.552</td> <td>22.80</td> <td>14.19</td> <td>36.99</td> <td>54.00</td> <td>-17.01</td> <td>AVG</td> </tr> </tbody> </table>								No.	Frequency (MHz)	Reading (dBuV)	Factor (dB/m)	Level (dBuV/m)	Limit (dBuV/m)	Margin (dB)	Detector	1	10400.025	37.89	14.19	52.08	74.00	-21.92	peak	2 *	10400.552	22.80	14.19	36.99	54.00	-17.01	AVG
No.	Frequency (MHz)	Reading (dBuV)	Factor (dB/m)	Level (dBuV/m)	Limit (dBuV/m)	Margin (dB)	Detector																								
1	10400.025	37.89	14.19	52.08	74.00	-21.92	peak																								
2 *	10400.552	22.80	14.19	36.99	54.00	-17.01	AVG																								
Remarks: 1.Factor (dB/m) = Antenna Factor (dB/m)+Cable Factor (dB)-Pre-amplifier Factor 2.Margin value = Level -Limit value																															



Ant No.:	Ant 9																														
Ant. Pol.:	Horizontal																														
Test Mode:	TX 802.11a Mode 5240MHz (U-NII-1)																														
Remark:	No report for the emission which more than 10 dB below the prescribed limit.																														
<table border="1"> <thead> <tr> <th>No.</th> <th>Frequency (MHz)</th> <th>Reading (dBuV)</th> <th>Factor (dB/m)</th> <th>Level (dBuV/m)</th> <th>Limit (dBuV/m)</th> <th>Margin (dB)</th> <th>Detector</th> </tr> </thead> <tbody> <tr> <td>1</td> <td>10479.114</td> <td>38.62</td> <td>14.30</td> <td>52.92</td> <td>74.00</td> <td>-21.08</td> <td>peak</td> </tr> <tr> <td>2 *</td> <td>10480.021</td> <td>22.90</td> <td>14.30</td> <td>37.20</td> <td>54.00</td> <td>-16.80</td> <td>AVG</td> </tr> </tbody> </table>								No.	Frequency (MHz)	Reading (dBuV)	Factor (dB/m)	Level (dBuV/m)	Limit (dBuV/m)	Margin (dB)	Detector	1	10479.114	38.62	14.30	52.92	74.00	-21.08	peak	2 *	10480.021	22.90	14.30	37.20	54.00	-16.80	AVG
No.	Frequency (MHz)	Reading (dBuV)	Factor (dB/m)	Level (dBuV/m)	Limit (dBuV/m)	Margin (dB)	Detector																								
1	10479.114	38.62	14.30	52.92	74.00	-21.08	peak																								
2 *	10480.021	22.90	14.30	37.20	54.00	-16.80	AVG																								
Remarks: 1. Factor (dB/m) = Antenna Factor (dB/m)+Cable Factor (dB)-Pre-amplifier Factor 2. Margin value = Level -Limit value																															

Ant No.:	Ant 9																														
Ant. Pol.:	Vertical																														
Test Mode:	TX 802.11a Mode 5240MHz (U-NII-1)																														
Remark:	No report for the emission which more than 10 dB below the prescribed limit.																														
<table border="1"> <thead> <tr> <th>No.</th> <th>Frequency (MHz)</th> <th>Reading (dBuV)</th> <th>Factor (dB/m)</th> <th>Level (dBuV/m)</th> <th>Limit (dBuV/m)</th> <th>Margin (dB)</th> <th>Detector</th> </tr> </thead> <tbody> <tr> <td>1</td> <td>10480.335</td> <td>38.14</td> <td>14.30</td> <td>52.44</td> <td>74.00</td> <td>-21.56</td> <td>peak</td> </tr> <tr> <td>2 *</td> <td>10480.792</td> <td>23.09</td> <td>14.30</td> <td>37.39</td> <td>54.00</td> <td>-16.61</td> <td>AVG</td> </tr> </tbody> </table>								No.	Frequency (MHz)	Reading (dBuV)	Factor (dB/m)	Level (dBuV/m)	Limit (dBuV/m)	Margin (dB)	Detector	1	10480.335	38.14	14.30	52.44	74.00	-21.56	peak	2 *	10480.792	23.09	14.30	37.39	54.00	-16.61	AVG
No.	Frequency (MHz)	Reading (dBuV)	Factor (dB/m)	Level (dBuV/m)	Limit (dBuV/m)	Margin (dB)	Detector																								
1	10480.335	38.14	14.30	52.44	74.00	-21.56	peak																								
2 *	10480.792	23.09	14.30	37.39	54.00	-16.61	AVG																								
Remarks: 1. Factor (dB/m) = Antenna Factor (dB/m)+Cable Factor (dB)-Pre-amplifier Factor 2. Margin value = Level -Limit value																															



Ant No.:	Ant 8+ANT 9																														
Ant. Pol.:	Horizontal																														
Test Mode:	TX 802.11n(HT20) Mode 5180MHz (U-NII-1)																														
Remark:	No report for the emission which more than 10 dB below the prescribed limit.																														
<table border="1"> <thead> <tr> <th>No.</th> <th>Frequency (MHz)</th> <th>Reading (dBuV)</th> <th>Factor (dB/m)</th> <th>Level (dBuV/m)</th> <th>Limit (dBuV/m)</th> <th>Margin (dB)</th> <th>Detector</th> </tr> </thead> <tbody> <tr> <td>1</td> <td>10359.628</td> <td>38.89</td> <td>13.60</td> <td>52.49</td> <td>74.00</td> <td>-21.51</td> <td>peak</td> </tr> <tr> <td>2 *</td> <td>10360.410</td> <td>24.07</td> <td>13.59</td> <td>37.66</td> <td>54.00</td> <td>-16.34</td> <td>AVG</td> </tr> </tbody> </table>								No.	Frequency (MHz)	Reading (dBuV)	Factor (dB/m)	Level (dBuV/m)	Limit (dBuV/m)	Margin (dB)	Detector	1	10359.628	38.89	13.60	52.49	74.00	-21.51	peak	2 *	10360.410	24.07	13.59	37.66	54.00	-16.34	AVG
No.	Frequency (MHz)	Reading (dBuV)	Factor (dB/m)	Level (dBuV/m)	Limit (dBuV/m)	Margin (dB)	Detector																								
1	10359.628	38.89	13.60	52.49	74.00	-21.51	peak																								
2 *	10360.410	24.07	13.59	37.66	54.00	-16.34	AVG																								
Remarks: 1.Factor (dB/m) = Antenna Factor (dB/m)+Cable Factor (dB)-Pre-amplifier Factor 2.Margin value = Level -Limit value																															

Ant No.:	Ant 8+ANT 9																														
Ant. Pol.:	Vertical																														
Test Mode:	TX 802.11n(HT20) Mode 5180MHz (U-NII-1)																														
Remark:	No report for the emission which more than 10 dB below the prescribed limit.																														
<table border="1"> <thead> <tr> <th>No.</th> <th>Frequency (MHz)</th> <th>Reading (dBuV)</th> <th>Factor (dB/m)</th> <th>Level (dBuV/m)</th> <th>Limit (dBuV/m)</th> <th>Margin (dB)</th> <th>Detector</th> </tr> </thead> <tbody> <tr> <td>1</td> <td>10359.033</td> <td>40.03</td> <td>13.60</td> <td>53.63</td> <td>74.00</td> <td>-20.37</td> <td>peak</td> </tr> <tr> <td>2 *</td> <td>10360.685</td> <td>24.42</td> <td>13.60</td> <td>38.02</td> <td>54.00</td> <td>-15.98</td> <td>AVG</td> </tr> </tbody> </table>								No.	Frequency (MHz)	Reading (dBuV)	Factor (dB/m)	Level (dBuV/m)	Limit (dBuV/m)	Margin (dB)	Detector	1	10359.033	40.03	13.60	53.63	74.00	-20.37	peak	2 *	10360.685	24.42	13.60	38.02	54.00	-15.98	AVG
No.	Frequency (MHz)	Reading (dBuV)	Factor (dB/m)	Level (dBuV/m)	Limit (dBuV/m)	Margin (dB)	Detector																								
1	10359.033	40.03	13.60	53.63	74.00	-20.37	peak																								
2 *	10360.685	24.42	13.60	38.02	54.00	-15.98	AVG																								
Remarks: 1.Factor (dB/m) = Antenna Factor (dB/m)+Cable Factor (dB)-Pre-amplifier Factor 2.Margin value = Level -Limit value																															



Ant No.:	Ant 8+ANT 9																														
Ant. Pol.:	Horizontal																														
Test Mode:	TX 802.11n(HT20) Mode 5200MHz (U-NII-1)																														
Remark:	No report for the emission which more than 10 dB below the prescribed limit.																														
<table border="1"> <thead> <tr> <th>No.</th> <th>Frequency (MHz)</th> <th>Reading (dBuV)</th> <th>Factor (dB/m)</th> <th>Level (dBuV/m)</th> <th>Limit (dBuV/m)</th> <th>Margin (dB)</th> <th>Detector</th> </tr> </thead> <tbody> <tr> <td>1 *</td> <td>10399.224</td> <td>23.86</td> <td>13.67</td> <td>37.53</td> <td>54.00</td> <td>-16.47</td> <td>AVG</td> </tr> <tr> <td>2</td> <td>10400.638</td> <td>39.48</td> <td>13.67</td> <td>53.15</td> <td>74.00</td> <td>-20.85</td> <td>peak</td> </tr> </tbody> </table>								No.	Frequency (MHz)	Reading (dBuV)	Factor (dB/m)	Level (dBuV/m)	Limit (dBuV/m)	Margin (dB)	Detector	1 *	10399.224	23.86	13.67	37.53	54.00	-16.47	AVG	2	10400.638	39.48	13.67	53.15	74.00	-20.85	peak
No.	Frequency (MHz)	Reading (dBuV)	Factor (dB/m)	Level (dBuV/m)	Limit (dBuV/m)	Margin (dB)	Detector																								
1 *	10399.224	23.86	13.67	37.53	54.00	-16.47	AVG																								
2	10400.638	39.48	13.67	53.15	74.00	-20.85	peak																								
Remarks: 1.Factor (dB/m) = Antenna Factor (dB/m)+Cable Factor (dB)-Pre-amplifier Factor 2.Margin value = Level -Limit value																															

Ant No.:	Ant 8+ANT 9																														
Ant. Pol.:	Vertical																														
Test Mode:	TX 802.11n(HT20) Mode 5200MHz (U-NII-1)																														
Remark:	No report for the emission which more than 10 dB below the prescribed limit.																														
<table border="1"> <thead> <tr> <th>No.</th> <th>Frequency (MHz)</th> <th>Reading (dBuV)</th> <th>Factor (dB/m)</th> <th>Level (dBuV/m)</th> <th>Limit (dBuV/m)</th> <th>Margin (dB)</th> <th>Detector</th> </tr> </thead> <tbody> <tr> <td>1</td> <td>10399.029</td> <td>39.36</td> <td>13.67</td> <td>53.03</td> <td>74.00</td> <td>-20.97</td> <td>peak</td> </tr> <tr> <td>2 *</td> <td>10399.544</td> <td>24.65</td> <td>13.67</td> <td>38.32</td> <td>54.00</td> <td>-15.68</td> <td>AVG</td> </tr> </tbody> </table>								No.	Frequency (MHz)	Reading (dBuV)	Factor (dB/m)	Level (dBuV/m)	Limit (dBuV/m)	Margin (dB)	Detector	1	10399.029	39.36	13.67	53.03	74.00	-20.97	peak	2 *	10399.544	24.65	13.67	38.32	54.00	-15.68	AVG
No.	Frequency (MHz)	Reading (dBuV)	Factor (dB/m)	Level (dBuV/m)	Limit (dBuV/m)	Margin (dB)	Detector																								
1	10399.029	39.36	13.67	53.03	74.00	-20.97	peak																								
2 *	10399.544	24.65	13.67	38.32	54.00	-15.68	AVG																								
Remarks: 1.Factor (dB/m) = Antenna Factor (dB/m)+Cable Factor (dB)-Pre-amplifier Factor 2.Margin value = Level -Limit value																															



Ant No.:	Ant 8+ANT 9																														
Ant. Pol.:	Horizontal																														
Test Mode:	TX 802.11n(HT20) Mode 5240MHz (U-NII-1)																														
Remark:	No report for the emission which more than 10 dB below the prescribed limit.																														
<table border="1"> <thead> <tr> <th>No.</th> <th>Frequency (MHz)</th> <th>Reading (dBuV)</th> <th>Factor (dB/m)</th> <th>Level (dBuV/m)</th> <th>Limit (dBuV/m)</th> <th>Margin (dB)</th> <th>Detector</th> </tr> </thead> <tbody> <tr> <td>1</td> <td>10480.244</td> <td>37.50</td> <td>13.80</td> <td>51.30</td> <td>74.00</td> <td>-22.70</td> <td>peak</td> </tr> <tr> <td>2 *</td> <td>10480.326</td> <td>23.01</td> <td>13.80</td> <td>36.81</td> <td>54.00</td> <td>-17.19</td> <td>AVG</td> </tr> </tbody> </table>								No.	Frequency (MHz)	Reading (dBuV)	Factor (dB/m)	Level (dBuV/m)	Limit (dBuV/m)	Margin (dB)	Detector	1	10480.244	37.50	13.80	51.30	74.00	-22.70	peak	2 *	10480.326	23.01	13.80	36.81	54.00	-17.19	AVG
No.	Frequency (MHz)	Reading (dBuV)	Factor (dB/m)	Level (dBuV/m)	Limit (dBuV/m)	Margin (dB)	Detector																								
1	10480.244	37.50	13.80	51.30	74.00	-22.70	peak																								
2 *	10480.326	23.01	13.80	36.81	54.00	-17.19	AVG																								
Remarks: 1.Factor (dB/m) = Antenna Factor (dB/m)+Cable Factor (dB)-Pre-amplifier Factor 2.Margin value = Level -Limit value																															

Ant No.:	Ant 8+ANT 9																														
Ant. Pol.:	Vertical																														
Test Mode:	TX 802.11n(HT20) Mode 5240MHz (U-NII-1)																														
Remark:	No report for the emission which more than 10 dB below the prescribed limit.																														
<table border="1"> <thead> <tr> <th>No.</th> <th>Frequency (MHz)</th> <th>Reading (dBuV)</th> <th>Factor (dB/m)</th> <th>Level (dBuV/m)</th> <th>Limit (dBuV/m)</th> <th>Margin (dB)</th> <th>Detector</th> </tr> </thead> <tbody> <tr> <td>1</td> <td>10479.689</td> <td>39.67</td> <td>13.80</td> <td>53.47</td> <td>74.00</td> <td>-20.53</td> <td>peak</td> </tr> <tr> <td>2 *</td> <td>10480.414</td> <td>23.71</td> <td>13.80</td> <td>37.51</td> <td>54.00</td> <td>-16.49</td> <td>AVG</td> </tr> </tbody> </table>								No.	Frequency (MHz)	Reading (dBuV)	Factor (dB/m)	Level (dBuV/m)	Limit (dBuV/m)	Margin (dB)	Detector	1	10479.689	39.67	13.80	53.47	74.00	-20.53	peak	2 *	10480.414	23.71	13.80	37.51	54.00	-16.49	AVG
No.	Frequency (MHz)	Reading (dBuV)	Factor (dB/m)	Level (dBuV/m)	Limit (dBuV/m)	Margin (dB)	Detector																								
1	10479.689	39.67	13.80	53.47	74.00	-20.53	peak																								
2 *	10480.414	23.71	13.80	37.51	54.00	-16.49	AVG																								
Remarks: 1.Factor (dB/m) = Antenna Factor (dB/m)+Cable Factor (dB)-Pre-amplifier Factor 2.Margin value = Level -Limit value																															



Ant No.:	Ant 8+ANT 9																														
Ant. Pol.:	Horizontal																														
Test Mode:	TX 802.11ac(VHT20) Mode 5180MHz (U-NII-1)																														
Remark:	No report for the emission which more than 10 dB below the prescribed limit.																														
<table border="1"> <thead> <tr> <th>No.</th> <th>Frequency (MHz)</th> <th>Reading (dBuV)</th> <th>Factor (dB/m)</th> <th>Level (dBuV/m)</th> <th>Limit (dBuV/m)</th> <th>Margin (dB)</th> <th>Detector</th> </tr> </thead> <tbody> <tr> <td>1</td> <td>10359.083</td> <td>38.59</td> <td>13.60</td> <td>52.19</td> <td>74.00</td> <td>-21.81</td> <td>peak</td> </tr> <tr> <td>2 *</td> <td>10359.908</td> <td>23.42</td> <td>13.60</td> <td>37.02</td> <td>54.00</td> <td>-16.98</td> <td>AVG</td> </tr> </tbody> </table>								No.	Frequency (MHz)	Reading (dBuV)	Factor (dB/m)	Level (dBuV/m)	Limit (dBuV/m)	Margin (dB)	Detector	1	10359.083	38.59	13.60	52.19	74.00	-21.81	peak	2 *	10359.908	23.42	13.60	37.02	54.00	-16.98	AVG
No.	Frequency (MHz)	Reading (dBuV)	Factor (dB/m)	Level (dBuV/m)	Limit (dBuV/m)	Margin (dB)	Detector																								
1	10359.083	38.59	13.60	52.19	74.00	-21.81	peak																								
2 *	10359.908	23.42	13.60	37.02	54.00	-16.98	AVG																								
Remarks: 1.Factor (dB/m) = Antenna Factor (dB/m)+Cable Factor (dB)-Pre-amplifier Factor 2.Margin value = Level -Limit value																															

Ant No.:	Ant 8+ANT 9																														
Ant. Pol.:	Vertical																														
Test Mode:	TX 802.11ac(VHT20) Mode 5180MHz (U-NII-1)																														
Remark:	No report for the emission which more than 10 dB below the prescribed limit.																														
<table border="1"> <thead> <tr> <th>No.</th> <th>Frequency (MHz)</th> <th>Reading (dBuV)</th> <th>Factor (dB/m)</th> <th>Level (dBuV/m)</th> <th>Limit (dBuV/m)</th> <th>Margin (dB)</th> <th>Detector</th> </tr> </thead> <tbody> <tr> <td>1</td> <td>10359.413</td> <td>38.86</td> <td>13.60</td> <td>52.46</td> <td>74.00</td> <td>-21.54</td> <td>peak</td> </tr> <tr> <td>2 *</td> <td>10359.413</td> <td>22.71</td> <td>13.60</td> <td>36.31</td> <td>54.00</td> <td>-17.69</td> <td>AVG</td> </tr> </tbody> </table>								No.	Frequency (MHz)	Reading (dBuV)	Factor (dB/m)	Level (dBuV/m)	Limit (dBuV/m)	Margin (dB)	Detector	1	10359.413	38.86	13.60	52.46	74.00	-21.54	peak	2 *	10359.413	22.71	13.60	36.31	54.00	-17.69	AVG
No.	Frequency (MHz)	Reading (dBuV)	Factor (dB/m)	Level (dBuV/m)	Limit (dBuV/m)	Margin (dB)	Detector																								
1	10359.413	38.86	13.60	52.46	74.00	-21.54	peak																								
2 *	10359.413	22.71	13.60	36.31	54.00	-17.69	AVG																								
Remarks: 1.Factor (dB/m) = Antenna Factor (dB/m)+Cable Factor (dB)-Pre-amplifier Factor 2.Margin value = Level -Limit value																															



Ant No.:	Ant 8+ANT 9																														
Ant. Pol.:	Horizontal																														
Test Mode:	TX 802.11ac(VHT20) Mode 5200MHz (U-NII-1)																														
Remark:	No report for the emission which more than 10 dB below the prescribed limit.																														
<table border="1"> <thead> <tr> <th>No.</th> <th>Frequency (MHz)</th> <th>Reading (dBuV)</th> <th>Factor (dB/m)</th> <th>Level (dBuV/m)</th> <th>Limit (dBuV/m)</th> <th>Margin (dB)</th> <th>Detector</th> </tr> </thead> <tbody> <tr> <td>1 *</td> <td>10399.239</td> <td>23.68</td> <td>13.67</td> <td>37.35</td> <td>54.00</td> <td>-16.65</td> <td>AVG</td> </tr> <tr> <td>2</td> <td>10400.555</td> <td>38.62</td> <td>13.67</td> <td>52.29</td> <td>74.00</td> <td>-21.71</td> <td>peak</td> </tr> </tbody> </table>								No.	Frequency (MHz)	Reading (dBuV)	Factor (dB/m)	Level (dBuV/m)	Limit (dBuV/m)	Margin (dB)	Detector	1 *	10399.239	23.68	13.67	37.35	54.00	-16.65	AVG	2	10400.555	38.62	13.67	52.29	74.00	-21.71	peak
No.	Frequency (MHz)	Reading (dBuV)	Factor (dB/m)	Level (dBuV/m)	Limit (dBuV/m)	Margin (dB)	Detector																								
1 *	10399.239	23.68	13.67	37.35	54.00	-16.65	AVG																								
2	10400.555	38.62	13.67	52.29	74.00	-21.71	peak																								
Remarks: 1.Factor (dB/m) = Antenna Factor (dB/m)+Cable Factor (dB)-Pre-amplifier Factor 2.Margin value = Level -Limit value																															

Ant No.:	Ant 8+ANT 9																														
Ant. Pol.:	Vertical																														
Test Mode:	TX 802.11ac(VHT20) Mode 5200MHz (U-NII-1)																														
Remark:	No report for the emission which more than 10 dB below the prescribed limit.																														
<table border="1"> <thead> <tr> <th>No.</th> <th>Frequency (MHz)</th> <th>Reading (dBuV)</th> <th>Factor (dB/m)</th> <th>Level (dBuV/m)</th> <th>Limit (dBuV/m)</th> <th>Margin (dB)</th> <th>Detector</th> </tr> </thead> <tbody> <tr> <td>1</td> <td>10399.171</td> <td>39.35</td> <td>13.67</td> <td>53.02</td> <td>74.00</td> <td>-20.98</td> <td>peak</td> </tr> <tr> <td>2 *</td> <td>10400.890</td> <td>24.60</td> <td>13.67</td> <td>38.27</td> <td>54.00</td> <td>-15.73</td> <td>AVG</td> </tr> </tbody> </table>								No.	Frequency (MHz)	Reading (dBuV)	Factor (dB/m)	Level (dBuV/m)	Limit (dBuV/m)	Margin (dB)	Detector	1	10399.171	39.35	13.67	53.02	74.00	-20.98	peak	2 *	10400.890	24.60	13.67	38.27	54.00	-15.73	AVG
No.	Frequency (MHz)	Reading (dBuV)	Factor (dB/m)	Level (dBuV/m)	Limit (dBuV/m)	Margin (dB)	Detector																								
1	10399.171	39.35	13.67	53.02	74.00	-20.98	peak																								
2 *	10400.890	24.60	13.67	38.27	54.00	-15.73	AVG																								
Remarks: 1.Factor (dB/m) = Antenna Factor (dB/m)+Cable Factor (dB)-Pre-amplifier Factor 2.Margin value = Level -Limit value																															



Ant No.:	Ant 8+ANT 9																														
Ant. Pol.:	Horizontal																														
Test Mode:	TX 802.11ac(VHT20) Mode 5240MHz (U-NII-1)																														
Remark:	No report for the emission which more than 10 dB below the prescribed limit.																														
<table border="1"> <thead> <tr> <th>No.</th> <th>Frequency (MHz)</th> <th>Reading (dBuV)</th> <th>Factor (dB/m)</th> <th>Level (dBuV/m)</th> <th>Limit (dBuV/m)</th> <th>Margin (dB)</th> <th>Detector</th> </tr> </thead> <tbody> <tr> <td>1 *</td> <td>10479.999</td> <td>22.76</td> <td>13.80</td> <td>36.56</td> <td>54.00</td> <td>-17.44</td> <td>AVG</td> </tr> <tr> <td>2</td> <td>10480.019</td> <td>37.96</td> <td>13.80</td> <td>51.76</td> <td>74.00</td> <td>-22.24</td> <td>peak</td> </tr> </tbody> </table>								No.	Frequency (MHz)	Reading (dBuV)	Factor (dB/m)	Level (dBuV/m)	Limit (dBuV/m)	Margin (dB)	Detector	1 *	10479.999	22.76	13.80	36.56	54.00	-17.44	AVG	2	10480.019	37.96	13.80	51.76	74.00	-22.24	peak
No.	Frequency (MHz)	Reading (dBuV)	Factor (dB/m)	Level (dBuV/m)	Limit (dBuV/m)	Margin (dB)	Detector																								
1 *	10479.999	22.76	13.80	36.56	54.00	-17.44	AVG																								
2	10480.019	37.96	13.80	51.76	74.00	-22.24	peak																								
Remarks: 1.Factor (dB/m) = Antenna Factor (dB/m)+Cable Factor (dB)-Pre-amplifier Factor 2.Margin value = Level -Limit value																															

Ant No.:	Ant 8+ANT 9																														
Ant. Pol.:	Vertical																														
Test Mode:	TX 802.11ac(VHT20) Mode 5240MHz (U-NII-1)																														
Remark:	No report for the emission which more than 10 dB below the prescribed limit.																														
<table border="1"> <thead> <tr> <th>No.</th> <th>Frequency (MHz)</th> <th>Reading (dBuV)</th> <th>Factor (dB/m)</th> <th>Level (dBuV/m)</th> <th>Limit (dBuV/m)</th> <th>Margin (dB)</th> <th>Detector</th> </tr> </thead> <tbody> <tr> <td>1</td> <td>10479.041</td> <td>38.57</td> <td>13.80</td> <td>52.37</td> <td>74.00</td> <td>-21.63</td> <td>peak</td> </tr> <tr> <td>2 *</td> <td>10480.534</td> <td>23.51</td> <td>13.80</td> <td>37.31</td> <td>54.00</td> <td>-16.69</td> <td>AVG</td> </tr> </tbody> </table>								No.	Frequency (MHz)	Reading (dBuV)	Factor (dB/m)	Level (dBuV/m)	Limit (dBuV/m)	Margin (dB)	Detector	1	10479.041	38.57	13.80	52.37	74.00	-21.63	peak	2 *	10480.534	23.51	13.80	37.31	54.00	-16.69	AVG
No.	Frequency (MHz)	Reading (dBuV)	Factor (dB/m)	Level (dBuV/m)	Limit (dBuV/m)	Margin (dB)	Detector																								
1	10479.041	38.57	13.80	52.37	74.00	-21.63	peak																								
2 *	10480.534	23.51	13.80	37.31	54.00	-16.69	AVG																								
Remarks: 1.Factor (dB/m) = Antenna Factor (dB/m)+Cable Factor (dB)-Pre-amplifier Factor 2.Margin value = Level -Limit value																															



Ant No.:	Ant 8+ANT 9																														
Ant. Pol.:	Horizontal																														
Test Mode:	TX 802.11n(HT40) Mode 5190MHz (U-NII-1)																														
Remark:	No report for the emission which more than 10 dB below the prescribed limit.																														
<table border="1"> <thead> <tr> <th>No.</th> <th>Frequency (MHz)</th> <th>Reading (dBuV)</th> <th>Factor (dB/m)</th> <th>Level (dBuV/m)</th> <th>Limit (dBuV/m)</th> <th>Margin (dB)</th> <th>Detector</th> </tr> </thead> <tbody> <tr> <td>1</td> <td>10379.900</td> <td>38.74</td> <td>13.63</td> <td>52.37</td> <td>74.00</td> <td>-21.63</td> <td>peak</td> </tr> <tr> <td>2 *</td> <td>10380.433</td> <td>23.56</td> <td>13.63</td> <td>37.19</td> <td>54.00</td> <td>-16.81</td> <td>AVG</td> </tr> </tbody> </table>								No.	Frequency (MHz)	Reading (dBuV)	Factor (dB/m)	Level (dBuV/m)	Limit (dBuV/m)	Margin (dB)	Detector	1	10379.900	38.74	13.63	52.37	74.00	-21.63	peak	2 *	10380.433	23.56	13.63	37.19	54.00	-16.81	AVG
No.	Frequency (MHz)	Reading (dBuV)	Factor (dB/m)	Level (dBuV/m)	Limit (dBuV/m)	Margin (dB)	Detector																								
1	10379.900	38.74	13.63	52.37	74.00	-21.63	peak																								
2 *	10380.433	23.56	13.63	37.19	54.00	-16.81	AVG																								
Remarks: 1.Factor (dB/m) = Antenna Factor (dB/m)+Cable Factor (dB)-Pre-amplifier Factor 2.Margin value = Level -Limit value																															

Ant No.:	Ant 8+ANT 9																														
Ant. Pol.:	Vertical																														
Test Mode:	TX 802.11n(HT40) Mode 5190MHz (U-NII-1)																														
Remark:	No report for the emission which more than 10 dB below the prescribed limit.																														
<table border="1"> <thead> <tr> <th>No.</th> <th>Frequency (MHz)</th> <th>Reading (dBuV)</th> <th>Factor (dB/m)</th> <th>Level (dBuV/m)</th> <th>Limit (dBuV/m)</th> <th>Margin (dB)</th> <th>Detector</th> </tr> </thead> <tbody> <tr> <td>1 *</td> <td>10379.751</td> <td>24.32</td> <td>13.63</td> <td>37.95</td> <td>54.00</td> <td>-16.05</td> <td>AVG</td> </tr> <tr> <td>2</td> <td>10380.847</td> <td>38.97</td> <td>13.63</td> <td>52.60</td> <td>74.00</td> <td>-21.40</td> <td>peak</td> </tr> </tbody> </table>								No.	Frequency (MHz)	Reading (dBuV)	Factor (dB/m)	Level (dBuV/m)	Limit (dBuV/m)	Margin (dB)	Detector	1 *	10379.751	24.32	13.63	37.95	54.00	-16.05	AVG	2	10380.847	38.97	13.63	52.60	74.00	-21.40	peak
No.	Frequency (MHz)	Reading (dBuV)	Factor (dB/m)	Level (dBuV/m)	Limit (dBuV/m)	Margin (dB)	Detector																								
1 *	10379.751	24.32	13.63	37.95	54.00	-16.05	AVG																								
2	10380.847	38.97	13.63	52.60	74.00	-21.40	peak																								
Remarks: 1.Factor (dB/m) = Antenna Factor (dB/m)+Cable Factor (dB)-Pre-amplifier Factor 2.Margin value = Level -Limit value																															



Ant No.:	Ant 8+ANT 9																														
Ant. Pol.:	Horizontal																														
Test Mode:	TX 802.11n(HT40) Mode 5230MHz (U-NII-1)																														
Remark:	No report for the emission which more than 10 dB below the prescribed limit.																														
<table border="1"> <thead> <tr> <th>No.</th> <th>Frequency (MHz)</th> <th>Reading (dBuV)</th> <th>Factor (dB/m)</th> <th>Level (dBuV/m)</th> <th>Limit (dBuV/m)</th> <th>Margin (dB)</th> <th>Detector</th> </tr> </thead> <tbody> <tr> <td>1</td> <td>10459.548</td> <td>38.93</td> <td>13.77</td> <td>52.70</td> <td>74.00</td> <td>-21.30</td> <td>peak</td> </tr> <tr> <td>2 *</td> <td>10460.654</td> <td>23.71</td> <td>13.77</td> <td>37.48</td> <td>54.00</td> <td>-16.52</td> <td>AVG</td> </tr> </tbody> </table>								No.	Frequency (MHz)	Reading (dBuV)	Factor (dB/m)	Level (dBuV/m)	Limit (dBuV/m)	Margin (dB)	Detector	1	10459.548	38.93	13.77	52.70	74.00	-21.30	peak	2 *	10460.654	23.71	13.77	37.48	54.00	-16.52	AVG
No.	Frequency (MHz)	Reading (dBuV)	Factor (dB/m)	Level (dBuV/m)	Limit (dBuV/m)	Margin (dB)	Detector																								
1	10459.548	38.93	13.77	52.70	74.00	-21.30	peak																								
2 *	10460.654	23.71	13.77	37.48	54.00	-16.52	AVG																								
Remarks: 1.Factor (dB/m) = Antenna Factor (dB/m)+Cable Factor (dB)-Pre-amplifier Factor 2.Margin value = Level -Limit value																															

Ant No.:	Ant 8+ANT 9																														
Ant. Pol.:	Vertical																														
Test Mode:	TX 802.11n(HT40) Mode 5230MHz (U-NII-1)																														
Remark:	No report for the emission which more than 10 dB below the prescribed limit.																														
<table border="1"> <thead> <tr> <th>No.</th> <th>Frequency (MHz)</th> <th>Reading (dBuV)</th> <th>Factor (dB/m)</th> <th>Level (dBuV/m)</th> <th>Limit (dBuV/m)</th> <th>Margin (dB)</th> <th>Detector</th> </tr> </thead> <tbody> <tr> <td>1</td> <td>10459.176</td> <td>38.38</td> <td>13.77</td> <td>52.15</td> <td>74.00</td> <td>-21.85</td> <td>peak</td> </tr> <tr> <td>2 *</td> <td>10460.375</td> <td>24.08</td> <td>13.77</td> <td>37.85</td> <td>54.00</td> <td>-16.15</td> <td>AVG</td> </tr> </tbody> </table>								No.	Frequency (MHz)	Reading (dBuV)	Factor (dB/m)	Level (dBuV/m)	Limit (dBuV/m)	Margin (dB)	Detector	1	10459.176	38.38	13.77	52.15	74.00	-21.85	peak	2 *	10460.375	24.08	13.77	37.85	54.00	-16.15	AVG
No.	Frequency (MHz)	Reading (dBuV)	Factor (dB/m)	Level (dBuV/m)	Limit (dBuV/m)	Margin (dB)	Detector																								
1	10459.176	38.38	13.77	52.15	74.00	-21.85	peak																								
2 *	10460.375	24.08	13.77	37.85	54.00	-16.15	AVG																								
Remarks: 1.Factor (dB/m) = Antenna Factor (dB/m)+Cable Factor (dB)-Pre-amplifier Factor 2.Margin value = Level -Limit value																															



Ant No.:	Ant 8+ANT 9																														
Ant. Pol.:	Horizontal																														
Test Mode:	TX 802.11ac(VHT40) Mode 5190MHz (U-NII-1)																														
Remark:	No report for the emission which more than 10 dB below the prescribed limit.																														
<table border="1"> <thead> <tr> <th>No.</th> <th>Frequency (MHz)</th> <th>Reading (dBuV)</th> <th>Factor (dB/m)</th> <th>Level (dBuV/m)</th> <th>Limit (dBuV/m)</th> <th>Margin (dB)</th> <th>Detector</th> </tr> </thead> <tbody> <tr> <td>1</td> <td>10379.271</td> <td>38.68</td> <td>13.63</td> <td>52.31</td> <td>74.00</td> <td>-21.69</td> <td>peak</td> </tr> <tr> <td>2 *</td> <td>10380.204</td> <td>24.00</td> <td>13.63</td> <td>37.63</td> <td>54.00</td> <td>-16.37</td> <td>AVG</td> </tr> </tbody> </table>								No.	Frequency (MHz)	Reading (dBuV)	Factor (dB/m)	Level (dBuV/m)	Limit (dBuV/m)	Margin (dB)	Detector	1	10379.271	38.68	13.63	52.31	74.00	-21.69	peak	2 *	10380.204	24.00	13.63	37.63	54.00	-16.37	AVG
No.	Frequency (MHz)	Reading (dBuV)	Factor (dB/m)	Level (dBuV/m)	Limit (dBuV/m)	Margin (dB)	Detector																								
1	10379.271	38.68	13.63	52.31	74.00	-21.69	peak																								
2 *	10380.204	24.00	13.63	37.63	54.00	-16.37	AVG																								
Remarks: 1.Factor (dB/m) = Antenna Factor (dB/m)+Cable Factor (dB)-Pre-amplifier Factor 2.Margin value = Level -Limit value																															

Ant No.:	Ant 8+ANT 9																														
Ant. Pol.:	Vertical																														
Test Mode:	TX 802.11ac(VHT40) Mode 5190MHz (U-NII-1)																														
Remark:	No report for the emission which more than 10 dB below the prescribed limit.																														
<table border="1"> <thead> <tr> <th>No.</th> <th>Frequency (MHz)</th> <th>Reading (dBuV)</th> <th>Factor (dB/m)</th> <th>Level (dBuV/m)</th> <th>Limit (dBuV/m)</th> <th>Margin (dB)</th> <th>Detector</th> </tr> </thead> <tbody> <tr> <td>1 *</td> <td>10380.263</td> <td>24.72</td> <td>13.63</td> <td>38.35</td> <td>54.00</td> <td>-15.65</td> <td>AVG</td> </tr> <tr> <td>2</td> <td>10380.699</td> <td>38.88</td> <td>13.63</td> <td>52.51</td> <td>74.00</td> <td>-21.49</td> <td>peak</td> </tr> </tbody> </table>								No.	Frequency (MHz)	Reading (dBuV)	Factor (dB/m)	Level (dBuV/m)	Limit (dBuV/m)	Margin (dB)	Detector	1 *	10380.263	24.72	13.63	38.35	54.00	-15.65	AVG	2	10380.699	38.88	13.63	52.51	74.00	-21.49	peak
No.	Frequency (MHz)	Reading (dBuV)	Factor (dB/m)	Level (dBuV/m)	Limit (dBuV/m)	Margin (dB)	Detector																								
1 *	10380.263	24.72	13.63	38.35	54.00	-15.65	AVG																								
2	10380.699	38.88	13.63	52.51	74.00	-21.49	peak																								
Remarks: 1.Factor (dB/m) = Antenna Factor (dB/m)+Cable Factor (dB)-Pre-amplifier Factor 2.Margin value = Level -Limit value																															



Ant No.:	Ant 8+ANT 9																														
Ant. Pol.:	Horizontal																														
Test Mode:	TX 802.11ac(VHT40) Mode 5230MHz (U-NII-1)																														
Remark:	No report for the emission which more than 10 dB below the prescribed limit.																														
<table border="1"> <thead> <tr> <th>No.</th> <th>Frequency (MHz)</th> <th>Reading (dBuV)</th> <th>Factor (dB/m)</th> <th>Level (dBuV/m)</th> <th>Limit (dBuV/m)</th> <th>Margin (dB)</th> <th>Detector</th> </tr> </thead> <tbody> <tr> <td>1 *</td> <td>10460.271</td> <td>23.21</td> <td>13.77</td> <td>36.98</td> <td>54.00</td> <td>-17.02</td> <td>AVG</td> </tr> <tr> <td>2</td> <td>10460.553</td> <td>37.59</td> <td>13.77</td> <td>51.36</td> <td>74.00</td> <td>-22.64</td> <td>peak</td> </tr> </tbody> </table>								No.	Frequency (MHz)	Reading (dBuV)	Factor (dB/m)	Level (dBuV/m)	Limit (dBuV/m)	Margin (dB)	Detector	1 *	10460.271	23.21	13.77	36.98	54.00	-17.02	AVG	2	10460.553	37.59	13.77	51.36	74.00	-22.64	peak
No.	Frequency (MHz)	Reading (dBuV)	Factor (dB/m)	Level (dBuV/m)	Limit (dBuV/m)	Margin (dB)	Detector																								
1 *	10460.271	23.21	13.77	36.98	54.00	-17.02	AVG																								
2	10460.553	37.59	13.77	51.36	74.00	-22.64	peak																								
Remarks: 1.Factor (dB/m) = Antenna Factor (dB/m)+Cable Factor (dB)-Pre-amplifier Factor 2.Margin value = Level -Limit value																															

Ant No.:	Ant 8+ANT 9																														
Ant. Pol.:	Vertical																														
Test Mode:	TX 802.11ac(VHT40) Mode 5230MHz (U-NII-1)																														
Remark:	No report for the emission which more than 10 dB below the prescribed limit.																														
<table border="1"> <thead> <tr> <th>No.</th> <th>Frequency (MHz)</th> <th>Reading (dBuV)</th> <th>Factor (dB/m)</th> <th>Level (dBuV/m)</th> <th>Limit (dBuV/m)</th> <th>Margin (dB)</th> <th>Detector</th> </tr> </thead> <tbody> <tr> <td>1 *</td> <td>10459.055</td> <td>24.09</td> <td>13.77</td> <td>37.86</td> <td>54.00</td> <td>-16.14</td> <td>AVG</td> </tr> <tr> <td>2</td> <td>10459.797</td> <td>38.47</td> <td>13.77</td> <td>52.24</td> <td>74.00</td> <td>-21.76</td> <td>peak</td> </tr> </tbody> </table>								No.	Frequency (MHz)	Reading (dBuV)	Factor (dB/m)	Level (dBuV/m)	Limit (dBuV/m)	Margin (dB)	Detector	1 *	10459.055	24.09	13.77	37.86	54.00	-16.14	AVG	2	10459.797	38.47	13.77	52.24	74.00	-21.76	peak
No.	Frequency (MHz)	Reading (dBuV)	Factor (dB/m)	Level (dBuV/m)	Limit (dBuV/m)	Margin (dB)	Detector																								
1 *	10459.055	24.09	13.77	37.86	54.00	-16.14	AVG																								
2	10459.797	38.47	13.77	52.24	74.00	-21.76	peak																								
Remarks: 1.Factor (dB/m) = Antenna Factor (dB/m)+Cable Factor (dB)-Pre-amplifier Factor 2.Margin value = Level -Limit value																															



Ant No.:	Ant 8+ANT 9																														
Ant. Pol.:	Horizontal																														
Test Mode:	TX 802.11ac(VHT80) Mode 5210MHz (U-NII-1)																														
Remark:	No report for the emission which more than 10 dB below the prescribed limit.																														
<table border="1"> <thead> <tr> <th>No.</th> <th>Frequency (MHz)</th> <th>Reading (dBuV)</th> <th>Factor (dB/m)</th> <th>Level (dBuV/m)</th> <th>Limit (dBuV/m)</th> <th>Margin (dB)</th> <th>Detector</th> </tr> </thead> <tbody> <tr> <td>1 *</td> <td>10419.301</td> <td>23.78</td> <td>13.70</td> <td>37.48</td> <td>54.00</td> <td>-16.52</td> <td>AVG</td> </tr> <tr> <td>2</td> <td>10419.876</td> <td>38.37</td> <td>13.70</td> <td>52.07</td> <td>74.00</td> <td>-21.93</td> <td>peak</td> </tr> </tbody> </table>								No.	Frequency (MHz)	Reading (dBuV)	Factor (dB/m)	Level (dBuV/m)	Limit (dBuV/m)	Margin (dB)	Detector	1 *	10419.301	23.78	13.70	37.48	54.00	-16.52	AVG	2	10419.876	38.37	13.70	52.07	74.00	-21.93	peak
No.	Frequency (MHz)	Reading (dBuV)	Factor (dB/m)	Level (dBuV/m)	Limit (dBuV/m)	Margin (dB)	Detector																								
1 *	10419.301	23.78	13.70	37.48	54.00	-16.52	AVG																								
2	10419.876	38.37	13.70	52.07	74.00	-21.93	peak																								
Remarks: 1.Factor (dB/m) = Antenna Factor (dB/m)+Cable Factor (dB)-Pre-amplifier Factor 2.Margin value = Level -Limit value																															

Ant No.:	Ant 8+ANT 9																														
Ant. Pol.:	Vertical																														
Test Mode:	TX 802.11ac(VHT80) Mode 5210MHz (U-NII-1)																														
Remark:	No report for the emission which more than 10 dB below the prescribed limit.																														
<table border="1"> <thead> <tr> <th>No.</th> <th>Frequency (MHz)</th> <th>Reading (dBuV)</th> <th>Factor (dB/m)</th> <th>Level (dBuV/m)</th> <th>Limit (dBuV/m)</th> <th>Margin (dB)</th> <th>Detector</th> </tr> </thead> <tbody> <tr> <td>1 *</td> <td>10419.215</td> <td>24.40</td> <td>13.70</td> <td>38.10</td> <td>54.00</td> <td>-15.90</td> <td>AVG</td> </tr> <tr> <td>2</td> <td>10419.529</td> <td>40.25</td> <td>13.70</td> <td>53.95</td> <td>74.00</td> <td>-20.05</td> <td>peak</td> </tr> </tbody> </table>								No.	Frequency (MHz)	Reading (dBuV)	Factor (dB/m)	Level (dBuV/m)	Limit (dBuV/m)	Margin (dB)	Detector	1 *	10419.215	24.40	13.70	38.10	54.00	-15.90	AVG	2	10419.529	40.25	13.70	53.95	74.00	-20.05	peak
No.	Frequency (MHz)	Reading (dBuV)	Factor (dB/m)	Level (dBuV/m)	Limit (dBuV/m)	Margin (dB)	Detector																								
1 *	10419.215	24.40	13.70	38.10	54.00	-15.90	AVG																								
2	10419.529	40.25	13.70	53.95	74.00	-20.05	peak																								
Remarks: 1.Factor (dB/m) = Antenna Factor (dB/m)+Cable Factor (dB)-Pre-amplifier Factor 2.Margin value = Level -Limit value																															



Ant No.:	Ant 8																														
Ant. Pol.:	Horizontal																														
Test Mode:	TX 802.11a Mode 5260MHz (U-NII-2A)																														
Remark:	No report for the emission which more than 10 dB below the prescribed limit.																														
<table border="1"> <thead> <tr> <th>No.</th> <th>Frequency (MHz)</th> <th>Reading (dBuV)</th> <th>Factor (dB/m)</th> <th>Level (dBuV/m)</th> <th>Limit (dBuV/m)</th> <th>Margin (dB)</th> <th>Detector</th> </tr> </thead> <tbody> <tr> <td>1 *</td> <td>10520.633</td> <td>22.65</td> <td>13.89</td> <td>36.54</td> <td>54.00</td> <td>-17.46</td> <td>AVG</td> </tr> <tr> <td>2</td> <td>10520.793</td> <td>38.20</td> <td>13.89</td> <td>52.09</td> <td>74.00</td> <td>-21.91</td> <td>peak</td> </tr> </tbody> </table>								No.	Frequency (MHz)	Reading (dBuV)	Factor (dB/m)	Level (dBuV/m)	Limit (dBuV/m)	Margin (dB)	Detector	1 *	10520.633	22.65	13.89	36.54	54.00	-17.46	AVG	2	10520.793	38.20	13.89	52.09	74.00	-21.91	peak
No.	Frequency (MHz)	Reading (dBuV)	Factor (dB/m)	Level (dBuV/m)	Limit (dBuV/m)	Margin (dB)	Detector																								
1 *	10520.633	22.65	13.89	36.54	54.00	-17.46	AVG																								
2	10520.793	38.20	13.89	52.09	74.00	-21.91	peak																								
Remarks: 1. Factor (dB/m) = Antenna Factor (dB/m)+Cable Factor (dB)-Pre-amplifier Factor 2. Margin value = Level -Limit value																															

Ant No.:	Ant 8																														
Ant. Pol.:	Vertical																														
Test Mode:	TX 802.11a Mode 5260MHz (U-NII-2A)																														
Remark:	No report for the emission which more than 10 dB below the prescribed limit.																														
<table border="1"> <thead> <tr> <th>No.</th> <th>Frequency (MHz)</th> <th>Reading (dBuV)</th> <th>Factor (dB/m)</th> <th>Level (dBuV/m)</th> <th>Limit (dBuV/m)</th> <th>Margin (dB)</th> <th>Detector</th> </tr> </thead> <tbody> <tr> <td>1</td> <td>10519.148</td> <td>39.36</td> <td>13.89</td> <td>53.25</td> <td>74.00</td> <td>-20.75</td> <td>peak</td> </tr> <tr> <td>2 *</td> <td>10520.694</td> <td>23.24</td> <td>13.89</td> <td>37.13</td> <td>54.00</td> <td>-16.87</td> <td>AVG</td> </tr> </tbody> </table>								No.	Frequency (MHz)	Reading (dBuV)	Factor (dB/m)	Level (dBuV/m)	Limit (dBuV/m)	Margin (dB)	Detector	1	10519.148	39.36	13.89	53.25	74.00	-20.75	peak	2 *	10520.694	23.24	13.89	37.13	54.00	-16.87	AVG
No.	Frequency (MHz)	Reading (dBuV)	Factor (dB/m)	Level (dBuV/m)	Limit (dBuV/m)	Margin (dB)	Detector																								
1	10519.148	39.36	13.89	53.25	74.00	-20.75	peak																								
2 *	10520.694	23.24	13.89	37.13	54.00	-16.87	AVG																								
Remarks: 1. Factor (dB/m) = Antenna Factor (dB/m)+Cable Factor (dB)-Pre-amplifier Factor 2. Margin value = Level -Limit value																															



Ant No.:	Ant 8																														
Ant. Pol.:	Horizontal																														
Test Mode:	TX 802.11a Mode 5280MHz (U-NII-2A)																														
Remark:	No report for the emission which more than 10 dB below the prescribed limit.																														
<table border="1"> <thead> <tr> <th>No.</th> <th>Frequency (MHz)</th> <th>Reading (dBuV)</th> <th>Factor (dB/m)</th> <th>Level (dBuV/m)</th> <th>Limit (dBuV/m)</th> <th>Margin (dB)</th> <th>Detector</th> </tr> </thead> <tbody> <tr> <td>1</td> <td>10559.391</td> <td>37.60</td> <td>13.97</td> <td>51.57</td> <td>74.00</td> <td>-22.43</td> <td>peak</td> </tr> <tr> <td>2 *</td> <td>10560.131</td> <td>22.83</td> <td>13.97</td> <td>36.80</td> <td>54.00</td> <td>-17.20</td> <td>AVG</td> </tr> </tbody> </table>								No.	Frequency (MHz)	Reading (dBuV)	Factor (dB/m)	Level (dBuV/m)	Limit (dBuV/m)	Margin (dB)	Detector	1	10559.391	37.60	13.97	51.57	74.00	-22.43	peak	2 *	10560.131	22.83	13.97	36.80	54.00	-17.20	AVG
No.	Frequency (MHz)	Reading (dBuV)	Factor (dB/m)	Level (dBuV/m)	Limit (dBuV/m)	Margin (dB)	Detector																								
1	10559.391	37.60	13.97	51.57	74.00	-22.43	peak																								
2 *	10560.131	22.83	13.97	36.80	54.00	-17.20	AVG																								
Remarks: 1. Factor (dB/m) = Antenna Factor (dB/m)+Cable Factor (dB)-Pre-amplifier Factor 2. Margin value = Level -Limit value																															

Ant No.:	Ant 8																														
Ant. Pol.:	Vertical																														
Test Mode:	TX 802.11a Mode 5280MHz (U-NII-2A)																														
Remark:	No report for the emission which more than 10 dB below the prescribed limit.																														
<table border="1"> <thead> <tr> <th>No.</th> <th>Frequency (MHz)</th> <th>Reading (dBuV)</th> <th>Factor (dB/m)</th> <th>Level (dBuV/m)</th> <th>Limit (dBuV/m)</th> <th>Margin (dB)</th> <th>Detector</th> </tr> </thead> <tbody> <tr> <td>1 *</td> <td>10559.659</td> <td>23.40</td> <td>13.97</td> <td>37.37</td> <td>54.00</td> <td>-16.63</td> <td>AVG</td> </tr> <tr> <td>2</td> <td>10560.444</td> <td>38.38</td> <td>13.97</td> <td>52.35</td> <td>74.00</td> <td>-21.65</td> <td>peak</td> </tr> </tbody> </table>								No.	Frequency (MHz)	Reading (dBuV)	Factor (dB/m)	Level (dBuV/m)	Limit (dBuV/m)	Margin (dB)	Detector	1 *	10559.659	23.40	13.97	37.37	54.00	-16.63	AVG	2	10560.444	38.38	13.97	52.35	74.00	-21.65	peak
No.	Frequency (MHz)	Reading (dBuV)	Factor (dB/m)	Level (dBuV/m)	Limit (dBuV/m)	Margin (dB)	Detector																								
1 *	10559.659	23.40	13.97	37.37	54.00	-16.63	AVG																								
2	10560.444	38.38	13.97	52.35	74.00	-21.65	peak																								
Remarks: 1. Factor (dB/m) = Antenna Factor (dB/m)+Cable Factor (dB)-Pre-amplifier Factor 2. Margin value = Level -Limit value																															



Ant No.:	Ant 8																														
Ant. Pol.:	Horizontal																														
Test Mode:	TX 802.11a Mode 5320MHz (U-NII-2A)																														
Remark:	No report for the emission which more than 10 dB below the prescribed limit.																														
<table border="1"> <thead> <tr> <th>No.</th> <th>Frequency (MHz)</th> <th>Reading (dBuV)</th> <th>Factor (dB/m)</th> <th>Level (dBuV/m)</th> <th>Limit (dBuV/m)</th> <th>Margin (dB)</th> <th>Detector</th> </tr> </thead> <tbody> <tr> <td>1</td> <td>10639.925</td> <td>37.52</td> <td>14.16</td> <td>51.68</td> <td>74.00</td> <td>-22.32</td> <td>peak</td> </tr> <tr> <td>2 *</td> <td>10640.205</td> <td>22.82</td> <td>14.16</td> <td>36.98</td> <td>54.00</td> <td>-17.02</td> <td>AVG</td> </tr> </tbody> </table>								No.	Frequency (MHz)	Reading (dBuV)	Factor (dB/m)	Level (dBuV/m)	Limit (dBuV/m)	Margin (dB)	Detector	1	10639.925	37.52	14.16	51.68	74.00	-22.32	peak	2 *	10640.205	22.82	14.16	36.98	54.00	-17.02	AVG
No.	Frequency (MHz)	Reading (dBuV)	Factor (dB/m)	Level (dBuV/m)	Limit (dBuV/m)	Margin (dB)	Detector																								
1	10639.925	37.52	14.16	51.68	74.00	-22.32	peak																								
2 *	10640.205	22.82	14.16	36.98	54.00	-17.02	AVG																								
Remarks: 1. Factor (dB/m) = Antenna Factor (dB/m)+Cable Factor (dB)-Pre-amplifier Factor 2. Margin value = Level -Limit value																															

Ant No.:	Ant 8																														
Ant. Pol.:	Vertical																														
Test Mode:	TX 802.11a Mode 5320MHz (U-NII-2A)																														
Remark:	No report for the emission which more than 10 dB below the prescribed limit.																														
<table border="1"> <thead> <tr> <th>No.</th> <th>Frequency (MHz)</th> <th>Reading (dBuV)</th> <th>Factor (dB/m)</th> <th>Level (dBuV/m)</th> <th>Limit (dBuV/m)</th> <th>Margin (dB)</th> <th>Detector</th> </tr> </thead> <tbody> <tr> <td>1 *</td> <td>10639.817</td> <td>23.45</td> <td>14.16</td> <td>37.61</td> <td>54.00</td> <td>-16.39</td> <td>AVG</td> </tr> <tr> <td>2</td> <td>10639.838</td> <td>38.10</td> <td>14.16</td> <td>52.26</td> <td>74.00</td> <td>-21.74</td> <td>peak</td> </tr> </tbody> </table>								No.	Frequency (MHz)	Reading (dBuV)	Factor (dB/m)	Level (dBuV/m)	Limit (dBuV/m)	Margin (dB)	Detector	1 *	10639.817	23.45	14.16	37.61	54.00	-16.39	AVG	2	10639.838	38.10	14.16	52.26	74.00	-21.74	peak
No.	Frequency (MHz)	Reading (dBuV)	Factor (dB/m)	Level (dBuV/m)	Limit (dBuV/m)	Margin (dB)	Detector																								
1 *	10639.817	23.45	14.16	37.61	54.00	-16.39	AVG																								
2	10639.838	38.10	14.16	52.26	74.00	-21.74	peak																								
Remarks: 1. Factor (dB/m) = Antenna Factor (dB/m)+Cable Factor (dB)-Pre-amplifier Factor 2. Margin value = Level -Limit value																															



Ant No.:	Ant 9																														
Ant. Pol.:	Horizontal																														
Test Mode:	TX 802.11a Mode 5260MHz (U-NII-2A)																														
Remark:	No report for the emission which more than 10 dB below the prescribed limit.																														
<table border="1"> <thead> <tr> <th>No.</th> <th>Frequency (MHz)</th> <th>Reading (dBuV)</th> <th>Factor (dB/m)</th> <th>Level (dBuV/m)</th> <th>Limit (dBuV/m)</th> <th>Margin (dB)</th> <th>Detector</th> </tr> </thead> <tbody> <tr> <td>1</td> <td>10520.771</td> <td>39.21</td> <td>14.39</td> <td>53.60</td> <td>74.00</td> <td>-20.40</td> <td>peak</td> </tr> <tr> <td>2 *</td> <td>10520.870</td> <td>23.69</td> <td>14.39</td> <td>38.08</td> <td>54.00</td> <td>-15.92</td> <td>AVG</td> </tr> </tbody> </table>								No.	Frequency (MHz)	Reading (dBuV)	Factor (dB/m)	Level (dBuV/m)	Limit (dBuV/m)	Margin (dB)	Detector	1	10520.771	39.21	14.39	53.60	74.00	-20.40	peak	2 *	10520.870	23.69	14.39	38.08	54.00	-15.92	AVG
No.	Frequency (MHz)	Reading (dBuV)	Factor (dB/m)	Level (dBuV/m)	Limit (dBuV/m)	Margin (dB)	Detector																								
1	10520.771	39.21	14.39	53.60	74.00	-20.40	peak																								
2 *	10520.870	23.69	14.39	38.08	54.00	-15.92	AVG																								
Remarks: 1. Factor (dB/m) = Antenna Factor (dB/m)+Cable Factor (dB)-Pre-amplifier Factor 2. Margin value = Level -Limit value																															

Ant No.:	Ant 9																														
Ant. Pol.:	Vertical																														
Test Mode:	TX 802.11a Mode 5260MHz (U-NII-2A)																														
Remark:	No report for the emission which more than 10 dB below the prescribed limit.																														
<table border="1"> <thead> <tr> <th>No.</th> <th>Frequency (MHz)</th> <th>Reading (dBuV)</th> <th>Factor (dB/m)</th> <th>Level (dBuV/m)</th> <th>Limit (dBuV/m)</th> <th>Margin (dB)</th> <th>Detector</th> </tr> </thead> <tbody> <tr> <td>1</td> <td>10520.218</td> <td>38.90</td> <td>14.39</td> <td>53.29</td> <td>74.00</td> <td>-20.71</td> <td>peak</td> </tr> <tr> <td>2 *</td> <td>10520.658</td> <td>24.01</td> <td>14.39</td> <td>38.40</td> <td>54.00</td> <td>-15.60</td> <td>AVG</td> </tr> </tbody> </table>								No.	Frequency (MHz)	Reading (dBuV)	Factor (dB/m)	Level (dBuV/m)	Limit (dBuV/m)	Margin (dB)	Detector	1	10520.218	38.90	14.39	53.29	74.00	-20.71	peak	2 *	10520.658	24.01	14.39	38.40	54.00	-15.60	AVG
No.	Frequency (MHz)	Reading (dBuV)	Factor (dB/m)	Level (dBuV/m)	Limit (dBuV/m)	Margin (dB)	Detector																								
1	10520.218	38.90	14.39	53.29	74.00	-20.71	peak																								
2 *	10520.658	24.01	14.39	38.40	54.00	-15.60	AVG																								
Remarks: 1. Factor (dB/m) = Antenna Factor (dB/m)+Cable Factor (dB)-Pre-amplifier Factor 2. Margin value = Level -Limit value																															



Ant No.:	Ant 9																														
Ant. Pol.:	Horizontal																														
Test Mode:	TX 802.11a Mode 5280MHz (U-NII-2A)																														
Remark:	No report for the emission which more than 10 dB below the prescribed limit.																														
<table border="1"> <thead> <tr> <th>No.</th> <th>Frequency (MHz)</th> <th>Reading (dBuV)</th> <th>Factor (dB/m)</th> <th>Level (dBuV/m)</th> <th>Limit (dBuV/m)</th> <th>Margin (dB)</th> <th>Detector</th> </tr> </thead> <tbody> <tr> <td>1</td> <td>10559.428</td> <td>38.01</td> <td>14.46</td> <td>52.47</td> <td>74.00</td> <td>-21.53</td> <td>peak</td> </tr> <tr> <td>2 *</td> <td>10560.109</td> <td>22.53</td> <td>14.46</td> <td>36.99</td> <td>54.00</td> <td>-17.01</td> <td>AVG</td> </tr> </tbody> </table>								No.	Frequency (MHz)	Reading (dBuV)	Factor (dB/m)	Level (dBuV/m)	Limit (dBuV/m)	Margin (dB)	Detector	1	10559.428	38.01	14.46	52.47	74.00	-21.53	peak	2 *	10560.109	22.53	14.46	36.99	54.00	-17.01	AVG
No.	Frequency (MHz)	Reading (dBuV)	Factor (dB/m)	Level (dBuV/m)	Limit (dBuV/m)	Margin (dB)	Detector																								
1	10559.428	38.01	14.46	52.47	74.00	-21.53	peak																								
2 *	10560.109	22.53	14.46	36.99	54.00	-17.01	AVG																								
Remarks: 1. Factor (dB/m) = Antenna Factor (dB/m)+Cable Factor (dB)-Pre-amplifier Factor 2. Margin value = Level -Limit value																															

Ant No.:	Ant 9																														
Ant. Pol.:	Vertical																														
Test Mode:	TX 802.11a Mode 5280MHz (U-NII-2A)																														
Remark:	No report for the emission which more than 10 dB below the prescribed limit.																														
<table border="1"> <thead> <tr> <th>No.</th> <th>Frequency (MHz)</th> <th>Reading (dBuV)</th> <th>Factor (dB/m)</th> <th>Level (dBuV/m)</th> <th>Limit (dBuV/m)</th> <th>Margin (dB)</th> <th>Detector</th> </tr> </thead> <tbody> <tr> <td>1 *</td> <td>10560.315</td> <td>22.68</td> <td>14.46</td> <td>37.14</td> <td>54.00</td> <td>-16.86</td> <td>AVG</td> </tr> <tr> <td>2</td> <td>10560.412</td> <td>38.21</td> <td>14.46</td> <td>52.67</td> <td>74.00</td> <td>-21.33</td> <td>peak</td> </tr> </tbody> </table>								No.	Frequency (MHz)	Reading (dBuV)	Factor (dB/m)	Level (dBuV/m)	Limit (dBuV/m)	Margin (dB)	Detector	1 *	10560.315	22.68	14.46	37.14	54.00	-16.86	AVG	2	10560.412	38.21	14.46	52.67	74.00	-21.33	peak
No.	Frequency (MHz)	Reading (dBuV)	Factor (dB/m)	Level (dBuV/m)	Limit (dBuV/m)	Margin (dB)	Detector																								
1 *	10560.315	22.68	14.46	37.14	54.00	-16.86	AVG																								
2	10560.412	38.21	14.46	52.67	74.00	-21.33	peak																								
Remarks: 1. Factor (dB/m) = Antenna Factor (dB/m)+Cable Factor (dB)-Pre-amplifier Factor 2. Margin value = Level -Limit value																															



Ant No.:	Ant 9																														
Ant. Pol.:	Horizontal																														
Test Mode:	TX 802.11a Mode 5320MHz (U-NII-2A)																														
Remark:	No report for the emission which more than 10 dB below the prescribed limit.																														
<table border="1"> <thead> <tr> <th>No.</th> <th>Frequency (MHz)</th> <th>Reading (dBuV)</th> <th>Factor (dB/m)</th> <th>Level (dBuV/m)</th> <th>Limit (dBuV/m)</th> <th>Margin (dB)</th> <th>Detector</th> </tr> </thead> <tbody> <tr> <td>1 *</td> <td>10639.997</td> <td>25.56</td> <td>14.63</td> <td>40.19</td> <td>54.00</td> <td>-13.81</td> <td>AVG</td> </tr> <tr> <td>2</td> <td>10640.320</td> <td>39.21</td> <td>14.63</td> <td>53.84</td> <td>74.00</td> <td>-20.16</td> <td>peak</td> </tr> </tbody> </table>								No.	Frequency (MHz)	Reading (dBuV)	Factor (dB/m)	Level (dBuV/m)	Limit (dBuV/m)	Margin (dB)	Detector	1 *	10639.997	25.56	14.63	40.19	54.00	-13.81	AVG	2	10640.320	39.21	14.63	53.84	74.00	-20.16	peak
No.	Frequency (MHz)	Reading (dBuV)	Factor (dB/m)	Level (dBuV/m)	Limit (dBuV/m)	Margin (dB)	Detector																								
1 *	10639.997	25.56	14.63	40.19	54.00	-13.81	AVG																								
2	10640.320	39.21	14.63	53.84	74.00	-20.16	peak																								
Remarks: 1.Factor (dB/m) = Antenna Factor (dB/m)+Cable Factor (dB)-Pre-amplifier Factor 2.Margin value = Level -Limit value																															

Ant No.:	Ant 9																														
Ant. Pol.:	Vertical																														
Test Mode:	TX 802.11a Mode 5320MHz (U-NII-2A)																														
Remark:	No report for the emission which more than 10 dB below the prescribed limit.																														
<table border="1"> <thead> <tr> <th>No.</th> <th>Frequency (MHz)</th> <th>Reading (dBuV)</th> <th>Factor (dB/m)</th> <th>Level (dBuV/m)</th> <th>Limit (dBuV/m)</th> <th>Margin (dB)</th> <th>Detector</th> </tr> </thead> <tbody> <tr> <td>1</td> <td>10640.442</td> <td>38.45</td> <td>14.63</td> <td>53.08</td> <td>74.00</td> <td>-20.92</td> <td>peak</td> </tr> <tr> <td>2 *</td> <td>10640.680</td> <td>24.21</td> <td>14.63</td> <td>38.84</td> <td>54.00</td> <td>-15.16</td> <td>AVG</td> </tr> </tbody> </table>								No.	Frequency (MHz)	Reading (dBuV)	Factor (dB/m)	Level (dBuV/m)	Limit (dBuV/m)	Margin (dB)	Detector	1	10640.442	38.45	14.63	53.08	74.00	-20.92	peak	2 *	10640.680	24.21	14.63	38.84	54.00	-15.16	AVG
No.	Frequency (MHz)	Reading (dBuV)	Factor (dB/m)	Level (dBuV/m)	Limit (dBuV/m)	Margin (dB)	Detector																								
1	10640.442	38.45	14.63	53.08	74.00	-20.92	peak																								
2 *	10640.680	24.21	14.63	38.84	54.00	-15.16	AVG																								
Remarks: 1.Factor (dB/m) = Antenna Factor (dB/m)+Cable Factor (dB)-Pre-amplifier Factor 2.Margin value = Level -Limit value																															



Ant No.:	Ant 8+ANT 9																														
Ant. Pol.:	Horizontal																														
Test Mode:	TX 802.11n(HT20) Mode 5260MHz (U-NII-2A)																														
Remark:	No report for the emission which more than 10 dB below the prescribed limit.																														
<table border="1"> <thead> <tr> <th>No.</th> <th>Frequency (MHz)</th> <th>Reading (dBuV)</th> <th>Factor (dB/m)</th> <th>Level (dBuV/m)</th> <th>Limit (dBuV/m)</th> <th>Margin (dB)</th> <th>Detector</th> </tr> </thead> <tbody> <tr> <td>1</td> <td>10520.051</td> <td>37.43</td> <td>13.89</td> <td>51.32</td> <td>74.00</td> <td>-22.68</td> <td>peak</td> </tr> <tr> <td>2 *</td> <td>10520.749</td> <td>22.74</td> <td>13.89</td> <td>36.63</td> <td>54.00</td> <td>-17.37</td> <td>AVG</td> </tr> </tbody> </table>								No.	Frequency (MHz)	Reading (dBuV)	Factor (dB/m)	Level (dBuV/m)	Limit (dBuV/m)	Margin (dB)	Detector	1	10520.051	37.43	13.89	51.32	74.00	-22.68	peak	2 *	10520.749	22.74	13.89	36.63	54.00	-17.37	AVG
No.	Frequency (MHz)	Reading (dBuV)	Factor (dB/m)	Level (dBuV/m)	Limit (dBuV/m)	Margin (dB)	Detector																								
1	10520.051	37.43	13.89	51.32	74.00	-22.68	peak																								
2 *	10520.749	22.74	13.89	36.63	54.00	-17.37	AVG																								
Remarks: 1. Factor (dB/m) = Antenna Factor (dB/m)+Cable Factor (dB)-Pre-amplifier Factor 2. Margin value = Level -Limit value																															

Ant No.:	Ant 8+ANT 9																														
Ant. Pol.:	Vertical																														
Test Mode:	TX 802.11n(HT20) Mode 5260MHz (U-NII-2A)																														
Remark:	No report for the emission which more than 10 dB below the prescribed limit.																														
<table border="1"> <thead> <tr> <th>No.</th> <th>Frequency (MHz)</th> <th>Reading (dBuV)</th> <th>Factor (dB/m)</th> <th>Level (dBuV/m)</th> <th>Limit (dBuV/m)</th> <th>Margin (dB)</th> <th>Detector</th> </tr> </thead> <tbody> <tr> <td>1</td> <td>10519.589</td> <td>38.33</td> <td>13.89</td> <td>52.22</td> <td>74.00</td> <td>-21.78</td> <td>peak</td> </tr> <tr> <td>2 *</td> <td>10520.789</td> <td>23.58</td> <td>13.89</td> <td>37.47</td> <td>54.00</td> <td>-16.53</td> <td>AVG</td> </tr> </tbody> </table>								No.	Frequency (MHz)	Reading (dBuV)	Factor (dB/m)	Level (dBuV/m)	Limit (dBuV/m)	Margin (dB)	Detector	1	10519.589	38.33	13.89	52.22	74.00	-21.78	peak	2 *	10520.789	23.58	13.89	37.47	54.00	-16.53	AVG
No.	Frequency (MHz)	Reading (dBuV)	Factor (dB/m)	Level (dBuV/m)	Limit (dBuV/m)	Margin (dB)	Detector																								
1	10519.589	38.33	13.89	52.22	74.00	-21.78	peak																								
2 *	10520.789	23.58	13.89	37.47	54.00	-16.53	AVG																								
Remarks: 1. Factor (dB/m) = Antenna Factor (dB/m)+Cable Factor (dB)-Pre-amplifier Factor 2. Margin value = Level -Limit value																															



Ant No.:	Ant 8+ANT 9																														
Ant. Pol.:	Horizontal																														
Test Mode:	TX 802.11n(HT20) Mode 5280MHz (U-NII-2A)																														
Remark:	No report for the emission which more than 10 dB below the prescribed limit.																														
<table border="1"> <thead> <tr> <th>No.</th> <th>Frequency (MHz)</th> <th>Reading (dBuV)</th> <th>Factor (dB/m)</th> <th>Level (dBuV/m)</th> <th>Limit (dBuV/m)</th> <th>Margin (dB)</th> <th>Detector</th> </tr> </thead> <tbody> <tr> <td>1</td> <td>10559.131</td> <td>37.83</td> <td>13.97</td> <td>51.80</td> <td>74.00</td> <td>-22.20</td> <td>peak</td> </tr> <tr> <td>2 *</td> <td>10559.547</td> <td>22.65</td> <td>13.97</td> <td>36.62</td> <td>54.00</td> <td>-17.38</td> <td>AVG</td> </tr> </tbody> </table>								No.	Frequency (MHz)	Reading (dBuV)	Factor (dB/m)	Level (dBuV/m)	Limit (dBuV/m)	Margin (dB)	Detector	1	10559.131	37.83	13.97	51.80	74.00	-22.20	peak	2 *	10559.547	22.65	13.97	36.62	54.00	-17.38	AVG
No.	Frequency (MHz)	Reading (dBuV)	Factor (dB/m)	Level (dBuV/m)	Limit (dBuV/m)	Margin (dB)	Detector																								
1	10559.131	37.83	13.97	51.80	74.00	-22.20	peak																								
2 *	10559.547	22.65	13.97	36.62	54.00	-17.38	AVG																								
Remarks: 1.Factor (dB/m) = Antenna Factor (dB/m)+Cable Factor (dB)-Pre-amplifier Factor 2.Margin value = Level -Limit value																															

Ant No.:	Ant 8+ANT 9																														
Ant. Pol.:	Vertical																														
Test Mode:	TX 802.11n(HT20) Mode 5280MHz (U-NII-2A)																														
Remark:	No report for the emission which more than 10 dB below the prescribed limit.																														
<table border="1"> <thead> <tr> <th>No.</th> <th>Frequency (MHz)</th> <th>Reading (dBuV)</th> <th>Factor (dB/m)</th> <th>Level (dBuV/m)</th> <th>Limit (dBuV/m)</th> <th>Margin (dB)</th> <th>Detector</th> </tr> </thead> <tbody> <tr> <td>1 *</td> <td>10559.515</td> <td>23.65</td> <td>13.97</td> <td>37.62</td> <td>54.00</td> <td>-16.38</td> <td>AVG</td> </tr> <tr> <td>2</td> <td>10560.728</td> <td>39.30</td> <td>13.98</td> <td>53.28</td> <td>74.00</td> <td>-20.72</td> <td>peak</td> </tr> </tbody> </table>								No.	Frequency (MHz)	Reading (dBuV)	Factor (dB/m)	Level (dBuV/m)	Limit (dBuV/m)	Margin (dB)	Detector	1 *	10559.515	23.65	13.97	37.62	54.00	-16.38	AVG	2	10560.728	39.30	13.98	53.28	74.00	-20.72	peak
No.	Frequency (MHz)	Reading (dBuV)	Factor (dB/m)	Level (dBuV/m)	Limit (dBuV/m)	Margin (dB)	Detector																								
1 *	10559.515	23.65	13.97	37.62	54.00	-16.38	AVG																								
2	10560.728	39.30	13.98	53.28	74.00	-20.72	peak																								
Remarks: 1.Factor (dB/m) = Antenna Factor (dB/m)+Cable Factor (dB)-Pre-amplifier Factor 2.Margin value = Level -Limit value																															



Ant No.:	Ant 8+ANT 9																														
Ant. Pol.:	Horizontal																														
Test Mode:	TX 802.11n(HT20) Mode 5320MHz (U-NII-2A)																														
Remark:	No report for the emission which more than 10 dB below the prescribed limit.																														
<table border="1"> <thead> <tr> <th>No.</th> <th>Frequency (MHz)</th> <th>Reading (dBuV)</th> <th>Factor (dB/m)</th> <th>Level (dBuV/m)</th> <th>Limit (dBuV/m)</th> <th>Margin (dB)</th> <th>Detector</th> </tr> </thead> <tbody> <tr> <td>1 *</td> <td>10639.543</td> <td>22.77</td> <td>14.16</td> <td>36.93</td> <td>54.00</td> <td>-17.07</td> <td>AVG</td> </tr> <tr> <td>2</td> <td>10639.677</td> <td>39.35</td> <td>14.16</td> <td>53.51</td> <td>74.00</td> <td>-20.49</td> <td>peak</td> </tr> </tbody> </table>								No.	Frequency (MHz)	Reading (dBuV)	Factor (dB/m)	Level (dBuV/m)	Limit (dBuV/m)	Margin (dB)	Detector	1 *	10639.543	22.77	14.16	36.93	54.00	-17.07	AVG	2	10639.677	39.35	14.16	53.51	74.00	-20.49	peak
No.	Frequency (MHz)	Reading (dBuV)	Factor (dB/m)	Level (dBuV/m)	Limit (dBuV/m)	Margin (dB)	Detector																								
1 *	10639.543	22.77	14.16	36.93	54.00	-17.07	AVG																								
2	10639.677	39.35	14.16	53.51	74.00	-20.49	peak																								
Remarks: 1.Factor (dB/m) = Antenna Factor (dB/m)+Cable Factor (dB)-Pre-amplifier Factor 2.Margin value = Level -Limit value																															

Ant No.:	Ant 8+ANT 9																														
Ant. Pol.:	Vertical																														
Test Mode:	TX 802.11n(HT20) Mode 5320MHz (U-NII-2A)																														
Remark:	No report for the emission which more than 10 dB below the prescribed limit.																														
<table border="1"> <thead> <tr> <th>No.</th> <th>Frequency (MHz)</th> <th>Reading (dBuV)</th> <th>Factor (dB/m)</th> <th>Level (dBuV/m)</th> <th>Limit (dBuV/m)</th> <th>Margin (dB)</th> <th>Detector</th> </tr> </thead> <tbody> <tr> <td>1 *</td> <td>10640.065</td> <td>23.63</td> <td>14.16</td> <td>37.79</td> <td>54.00</td> <td>-16.21</td> <td>AVG</td> </tr> <tr> <td>2</td> <td>10640.339</td> <td>38.50</td> <td>14.16</td> <td>52.66</td> <td>74.00</td> <td>-21.34</td> <td>peak</td> </tr> </tbody> </table>								No.	Frequency (MHz)	Reading (dBuV)	Factor (dB/m)	Level (dBuV/m)	Limit (dBuV/m)	Margin (dB)	Detector	1 *	10640.065	23.63	14.16	37.79	54.00	-16.21	AVG	2	10640.339	38.50	14.16	52.66	74.00	-21.34	peak
No.	Frequency (MHz)	Reading (dBuV)	Factor (dB/m)	Level (dBuV/m)	Limit (dBuV/m)	Margin (dB)	Detector																								
1 *	10640.065	23.63	14.16	37.79	54.00	-16.21	AVG																								
2	10640.339	38.50	14.16	52.66	74.00	-21.34	peak																								
Remarks: 1.Factor (dB/m) = Antenna Factor (dB/m)+Cable Factor (dB)-Pre-amplifier Factor 2.Margin value = Level -Limit value																															



Ant No.:	Ant 8+ANT 9																														
Ant. Pol.:	Horizontal																														
Test Mode:	TX 802.11ac(VHT20) Mode 5260MHz (U-NII-2A)																														
Remark:	No report for the emission which more than 10 dB below the prescribed limit.																														
<table border="1"> <thead> <tr> <th>No.</th> <th>Frequency (MHz)</th> <th>Reading (dBuV)</th> <th>Factor (dB/m)</th> <th>Level (dBuV/m)</th> <th>Limit (dBuV/m)</th> <th>Margin (dB)</th> <th>Detector</th> </tr> </thead> <tbody> <tr> <td>1 *</td> <td>10519.371</td> <td>22.51</td> <td>13.89</td> <td>36.40</td> <td>54.00</td> <td>-17.60</td> <td>AVG</td> </tr> <tr> <td>2</td> <td>10520.861</td> <td>37.69</td> <td>13.89</td> <td>51.58</td> <td>74.00</td> <td>-22.42</td> <td>peak</td> </tr> </tbody> </table>								No.	Frequency (MHz)	Reading (dBuV)	Factor (dB/m)	Level (dBuV/m)	Limit (dBuV/m)	Margin (dB)	Detector	1 *	10519.371	22.51	13.89	36.40	54.00	-17.60	AVG	2	10520.861	37.69	13.89	51.58	74.00	-22.42	peak
No.	Frequency (MHz)	Reading (dBuV)	Factor (dB/m)	Level (dBuV/m)	Limit (dBuV/m)	Margin (dB)	Detector																								
1 *	10519.371	22.51	13.89	36.40	54.00	-17.60	AVG																								
2	10520.861	37.69	13.89	51.58	74.00	-22.42	peak																								
Remarks: 1. Factor (dB/m) = Antenna Factor (dB/m)+Cable Factor (dB)-Pre-amplifier Factor 2. Margin value = Level -Limit value																															

Ant No.:	Ant 8+ANT 9																														
Ant. Pol.:	Vertical																														
Test Mode:	TX 802.11ac(VHT20) Mode 5260MHz (U-NII-2A)																														
Remark:	No report for the emission which more than 10 dB below the prescribed limit.																														
<table border="1"> <thead> <tr> <th>No.</th> <th>Frequency (MHz)</th> <th>Reading (dBuV)</th> <th>Factor (dB/m)</th> <th>Level (dBuV/m)</th> <th>Limit (dBuV/m)</th> <th>Margin (dB)</th> <th>Detector</th> </tr> </thead> <tbody> <tr> <td>1 *</td> <td>10519.589</td> <td>23.24</td> <td>13.89</td> <td>37.13</td> <td>54.00</td> <td>-16.87</td> <td>AVG</td> </tr> <tr> <td>2</td> <td>10520.779</td> <td>38.71</td> <td>13.89</td> <td>52.60</td> <td>74.00</td> <td>-21.40</td> <td>peak</td> </tr> </tbody> </table>								No.	Frequency (MHz)	Reading (dBuV)	Factor (dB/m)	Level (dBuV/m)	Limit (dBuV/m)	Margin (dB)	Detector	1 *	10519.589	23.24	13.89	37.13	54.00	-16.87	AVG	2	10520.779	38.71	13.89	52.60	74.00	-21.40	peak
No.	Frequency (MHz)	Reading (dBuV)	Factor (dB/m)	Level (dBuV/m)	Limit (dBuV/m)	Margin (dB)	Detector																								
1 *	10519.589	23.24	13.89	37.13	54.00	-16.87	AVG																								
2	10520.779	38.71	13.89	52.60	74.00	-21.40	peak																								
Remarks: 1. Factor (dB/m) = Antenna Factor (dB/m)+Cable Factor (dB)-Pre-amplifier Factor 2. Margin value = Level -Limit value																															



Ant No.:	Ant 8+ANT 9																														
Ant. Pol.:	Horizontal																														
Test Mode:	TX 802.11ac(VHT20) Mode 5280MHz (U-NII-2A)																														
Remark:	No report for the emission which more than 10 dB below the prescribed limit.																														
<table border="1"> <thead> <tr> <th>No.</th> <th>Frequency (MHz)</th> <th>Reading (dBuV)</th> <th>Factor (dB/m)</th> <th>Level (dBuV/m)</th> <th>Limit (dBuV/m)</th> <th>Margin (dB)</th> <th>Detector</th> </tr> </thead> <tbody> <tr> <td>1 *</td> <td>10560.235</td> <td>22.76</td> <td>13.97</td> <td>36.73</td> <td>54.00</td> <td>-17.27</td> <td>AVG</td> </tr> <tr> <td>2</td> <td>10560.744</td> <td>37.70</td> <td>13.98</td> <td>51.68</td> <td>74.00</td> <td>-22.32</td> <td>peak</td> </tr> </tbody> </table>								No.	Frequency (MHz)	Reading (dBuV)	Factor (dB/m)	Level (dBuV/m)	Limit (dBuV/m)	Margin (dB)	Detector	1 *	10560.235	22.76	13.97	36.73	54.00	-17.27	AVG	2	10560.744	37.70	13.98	51.68	74.00	-22.32	peak
No.	Frequency (MHz)	Reading (dBuV)	Factor (dB/m)	Level (dBuV/m)	Limit (dBuV/m)	Margin (dB)	Detector																								
1 *	10560.235	22.76	13.97	36.73	54.00	-17.27	AVG																								
2	10560.744	37.70	13.98	51.68	74.00	-22.32	peak																								
Remarks: 1.Factor (dB/m) = Antenna Factor (dB/m)+Cable Factor (dB)-Pre-amplifier Factor 2.Margin value = Level -Limit value																															

Ant No.:	Ant 8+ANT 9																														
Ant. Pol.:	Vertical																														
Test Mode:	TX 802.11ac(VHT20) Mode 5280MHz (U-NII-2A)																														
Remark:	No report for the emission which more than 10 dB below the prescribed limit.																														
<table border="1"> <thead> <tr> <th>No.</th> <th>Frequency (MHz)</th> <th>Reading (dBuV)</th> <th>Factor (dB/m)</th> <th>Level (dBuV/m)</th> <th>Limit (dBuV/m)</th> <th>Margin (dB)</th> <th>Detector</th> </tr> </thead> <tbody> <tr> <td>1 *</td> <td>10559.025</td> <td>23.77</td> <td>13.97</td> <td>37.74</td> <td>54.00</td> <td>-16.26</td> <td>AVG</td> </tr> <tr> <td>2</td> <td>10559.282</td> <td>37.86</td> <td>13.97</td> <td>51.83</td> <td>74.00</td> <td>-22.17</td> <td>peak</td> </tr> </tbody> </table>								No.	Frequency (MHz)	Reading (dBuV)	Factor (dB/m)	Level (dBuV/m)	Limit (dBuV/m)	Margin (dB)	Detector	1 *	10559.025	23.77	13.97	37.74	54.00	-16.26	AVG	2	10559.282	37.86	13.97	51.83	74.00	-22.17	peak
No.	Frequency (MHz)	Reading (dBuV)	Factor (dB/m)	Level (dBuV/m)	Limit (dBuV/m)	Margin (dB)	Detector																								
1 *	10559.025	23.77	13.97	37.74	54.00	-16.26	AVG																								
2	10559.282	37.86	13.97	51.83	74.00	-22.17	peak																								
Remarks: 1.Factor (dB/m) = Antenna Factor (dB/m)+Cable Factor (dB)-Pre-amplifier Factor 2.Margin value = Level -Limit value																															



Ant No.:	Ant 8+ANT 9																														
Ant. Pol.:	Horizontal																														
Test Mode:	TX 802.11ac(VHT20) Mode 5320MHz (U-NII-2A)																														
Remark:	No report for the emission which more than 10 dB below the prescribed limit.																														
<table border="1"> <thead> <tr> <th>No.</th> <th>Frequency (MHz)</th> <th>Reading (dBuV)</th> <th>Factor (dB/m)</th> <th>Level (dBuV/m)</th> <th>Limit (dBuV/m)</th> <th>Margin (dB)</th> <th>Detector</th> </tr> </thead> <tbody> <tr> <td>1 *</td> <td>10639.117</td> <td>22.40</td> <td>14.15</td> <td>36.55</td> <td>54.00</td> <td>-17.45</td> <td>AVG</td> </tr> <tr> <td>2</td> <td>10639.685</td> <td>37.99</td> <td>14.16</td> <td>52.15</td> <td>74.00</td> <td>-21.85</td> <td>peak</td> </tr> </tbody> </table>								No.	Frequency (MHz)	Reading (dBuV)	Factor (dB/m)	Level (dBuV/m)	Limit (dBuV/m)	Margin (dB)	Detector	1 *	10639.117	22.40	14.15	36.55	54.00	-17.45	AVG	2	10639.685	37.99	14.16	52.15	74.00	-21.85	peak
No.	Frequency (MHz)	Reading (dBuV)	Factor (dB/m)	Level (dBuV/m)	Limit (dBuV/m)	Margin (dB)	Detector																								
1 *	10639.117	22.40	14.15	36.55	54.00	-17.45	AVG																								
2	10639.685	37.99	14.16	52.15	74.00	-21.85	peak																								
Remarks: 1.Factor (dB/m) = Antenna Factor (dB/m)+Cable Factor (dB)-Pre-amplifier Factor 2.Margin value = Level -Limit value																															

Ant No.:	Ant 8+ANT 9																														
Ant. Pol.:	Vertical																														
Test Mode:	TX 802.11ac(VHT20) Mode 5320MHz (U-NII-2A)																														
Remark:	No report for the emission which more than 10 dB below the prescribed limit.																														
<table border="1"> <thead> <tr> <th>No.</th> <th>Frequency (MHz)</th> <th>Reading (dBuV)</th> <th>Factor (dB/m)</th> <th>Level (dBuV/m)</th> <th>Limit (dBuV/m)</th> <th>Margin (dB)</th> <th>Detector</th> </tr> </thead> <tbody> <tr> <td>1</td> <td>10639.759</td> <td>38.45</td> <td>14.16</td> <td>52.61</td> <td>74.00</td> <td>-21.39</td> <td>peak</td> </tr> <tr> <td>2 *</td> <td>10639.881</td> <td>23.03</td> <td>14.16</td> <td>37.19</td> <td>54.00</td> <td>-16.81</td> <td>AVG</td> </tr> </tbody> </table>								No.	Frequency (MHz)	Reading (dBuV)	Factor (dB/m)	Level (dBuV/m)	Limit (dBuV/m)	Margin (dB)	Detector	1	10639.759	38.45	14.16	52.61	74.00	-21.39	peak	2 *	10639.881	23.03	14.16	37.19	54.00	-16.81	AVG
No.	Frequency (MHz)	Reading (dBuV)	Factor (dB/m)	Level (dBuV/m)	Limit (dBuV/m)	Margin (dB)	Detector																								
1	10639.759	38.45	14.16	52.61	74.00	-21.39	peak																								
2 *	10639.881	23.03	14.16	37.19	54.00	-16.81	AVG																								
Remarks: 1.Factor (dB/m) = Antenna Factor (dB/m)+Cable Factor (dB)-Pre-amplifier Factor 2.Margin value = Level -Limit value																															



Ant No.:	Ant 8+ANT 9																														
Ant. Pol.:	Horizontal																														
Test Mode:	TX 802.11n(HT40) Mode 5270MHz (U-NII-2A)																														
Remark:	No report for the emission which more than 10 dB below the prescribed limit.																														
<table border="1"> <thead> <tr> <th>No.</th> <th>Frequency (MHz)</th> <th>Reading (dBuV)</th> <th>Factor (dB/m)</th> <th>Level (dBuV/m)</th> <th>Limit (dBuV/m)</th> <th>Margin (dB)</th> <th>Detector</th> </tr> </thead> <tbody> <tr> <td>1</td> <td>10539.515</td> <td>37.83</td> <td>13.93</td> <td>51.76</td> <td>74.00</td> <td>-22.24</td> <td>peak</td> </tr> <tr> <td>2 *</td> <td>10539.751</td> <td>22.38</td> <td>13.93</td> <td>36.31</td> <td>54.00</td> <td>-17.69</td> <td>AVG</td> </tr> </tbody> </table>								No.	Frequency (MHz)	Reading (dBuV)	Factor (dB/m)	Level (dBuV/m)	Limit (dBuV/m)	Margin (dB)	Detector	1	10539.515	37.83	13.93	51.76	74.00	-22.24	peak	2 *	10539.751	22.38	13.93	36.31	54.00	-17.69	AVG
No.	Frequency (MHz)	Reading (dBuV)	Factor (dB/m)	Level (dBuV/m)	Limit (dBuV/m)	Margin (dB)	Detector																								
1	10539.515	37.83	13.93	51.76	74.00	-22.24	peak																								
2 *	10539.751	22.38	13.93	36.31	54.00	-17.69	AVG																								
Remarks: 1.Factor (dB/m) = Antenna Factor (dB/m)+Cable Factor (dB)-Pre-amplifier Factor 2.Margin value = Level -Limit value																															

Ant No.:	Ant 8+ANT 9																														
Ant. Pol.:	Vertical																														
Test Mode:	TX 802.11n(HT40) Mode 5270MHz (U-NII-2A)																														
Remark:	No report for the emission which more than 10 dB below the prescribed limit.																														
<table border="1"> <thead> <tr> <th>No.</th> <th>Frequency (MHz)</th> <th>Reading (dBuV)</th> <th>Factor (dB/m)</th> <th>Level (dBuV/m)</th> <th>Limit (dBuV/m)</th> <th>Margin (dB)</th> <th>Detector</th> </tr> </thead> <tbody> <tr> <td>1</td> <td>10539.639</td> <td>38.64</td> <td>13.93</td> <td>52.57</td> <td>74.00</td> <td>-21.43</td> <td>peak</td> </tr> <tr> <td>2 *</td> <td>10540.083</td> <td>23.29</td> <td>13.93</td> <td>37.22</td> <td>54.00</td> <td>-16.78</td> <td>AVG</td> </tr> </tbody> </table>								No.	Frequency (MHz)	Reading (dBuV)	Factor (dB/m)	Level (dBuV/m)	Limit (dBuV/m)	Margin (dB)	Detector	1	10539.639	38.64	13.93	52.57	74.00	-21.43	peak	2 *	10540.083	23.29	13.93	37.22	54.00	-16.78	AVG
No.	Frequency (MHz)	Reading (dBuV)	Factor (dB/m)	Level (dBuV/m)	Limit (dBuV/m)	Margin (dB)	Detector																								
1	10539.639	38.64	13.93	52.57	74.00	-21.43	peak																								
2 *	10540.083	23.29	13.93	37.22	54.00	-16.78	AVG																								
Remarks: 1.Factor (dB/m) = Antenna Factor (dB/m)+Cable Factor (dB)-Pre-amplifier Factor 2.Margin value = Level -Limit value																															



Ant No.:	Ant 8+ANT 9																														
Ant. Pol.:	Horizontal																														
Test Mode:	TX 802.11n(HT40) Mode 5310MHz (U-NII-2A)																														
Remark:	No report for the emission which more than 10 dB below the prescribed limit.																														
<table border="1"> <thead> <tr> <th>No.</th> <th>Frequency (MHz)</th> <th>Reading (dBuV)</th> <th>Factor (dB/m)</th> <th>Level (dBuV/m)</th> <th>Limit (dBuV/m)</th> <th>Margin (dB)</th> <th>Detector</th> </tr> </thead> <tbody> <tr> <td>1 *</td> <td>10619.337</td> <td>22.35</td> <td>14.11</td> <td>36.46</td> <td>54.00</td> <td>-17.54</td> <td>AVG</td> </tr> <tr> <td>2</td> <td>10619.577</td> <td>37.92</td> <td>14.11</td> <td>52.03</td> <td>74.00</td> <td>-21.97</td> <td>peak</td> </tr> </tbody> </table>								No.	Frequency (MHz)	Reading (dBuV)	Factor (dB/m)	Level (dBuV/m)	Limit (dBuV/m)	Margin (dB)	Detector	1 *	10619.337	22.35	14.11	36.46	54.00	-17.54	AVG	2	10619.577	37.92	14.11	52.03	74.00	-21.97	peak
No.	Frequency (MHz)	Reading (dBuV)	Factor (dB/m)	Level (dBuV/m)	Limit (dBuV/m)	Margin (dB)	Detector																								
1 *	10619.337	22.35	14.11	36.46	54.00	-17.54	AVG																								
2	10619.577	37.92	14.11	52.03	74.00	-21.97	peak																								
Remarks: 1.Factor (dB/m) = Antenna Factor (dB/m)+Cable Factor (dB)-Pre-amplifier Factor 2.Margin value = Level -Limit value																															

Ant No.:	Ant 8+ANT 9																														
Ant. Pol.:	Vertical																														
Test Mode:	TX 802.11n(HT40) Mode 5310MHz (U-NII-1)																														
Remark:	No report for the emission which more than 10 dB below the prescribed limit.																														
<table border="1"> <thead> <tr> <th>No.</th> <th>Frequency (MHz)</th> <th>Reading (dBuV)</th> <th>Factor (dB/m)</th> <th>Level (dBuV/m)</th> <th>Limit (dBuV/m)</th> <th>Margin (dB)</th> <th>Detector</th> </tr> </thead> <tbody> <tr> <td>1 *</td> <td>10619.322</td> <td>23.51</td> <td>14.11</td> <td>37.62</td> <td>54.00</td> <td>-16.38</td> <td>AVG</td> </tr> <tr> <td>2</td> <td>10619.627</td> <td>38.39</td> <td>14.11</td> <td>52.50</td> <td>74.00</td> <td>-21.50</td> <td>peak</td> </tr> </tbody> </table>								No.	Frequency (MHz)	Reading (dBuV)	Factor (dB/m)	Level (dBuV/m)	Limit (dBuV/m)	Margin (dB)	Detector	1 *	10619.322	23.51	14.11	37.62	54.00	-16.38	AVG	2	10619.627	38.39	14.11	52.50	74.00	-21.50	peak
No.	Frequency (MHz)	Reading (dBuV)	Factor (dB/m)	Level (dBuV/m)	Limit (dBuV/m)	Margin (dB)	Detector																								
1 *	10619.322	23.51	14.11	37.62	54.00	-16.38	AVG																								
2	10619.627	38.39	14.11	52.50	74.00	-21.50	peak																								
Remarks: 1.Factor (dB/m) = Antenna Factor (dB/m)+Cable Factor (dB)-Pre-amplifier Factor 2.Margin value = Level -Limit value																															



Ant No.:	Ant 8+ANT 9																														
Ant. Pol.:	Horizontal																														
Test Mode:	TX 802.11ac(VHT40) Mode 5270MHz (U-NII-2A)																														
Remark:	No report for the emission which more than 10 dB below the prescribed limit.																														
<table border="1"> <thead> <tr> <th>No.</th> <th>Frequency (MHz)</th> <th>Reading (dBuV)</th> <th>Factor (dB/m)</th> <th>Level (dBuV/m)</th> <th>Limit (dBuV/m)</th> <th>Margin (dB)</th> <th>Detector</th> </tr> </thead> <tbody> <tr> <td>1</td> <td>10539.591</td> <td>38.19</td> <td>13.93</td> <td>52.12</td> <td>74.00</td> <td>-21.88</td> <td>peak</td> </tr> <tr> <td>2 *</td> <td>10540.767</td> <td>22.72</td> <td>13.93</td> <td>36.65</td> <td>54.00</td> <td>-17.35</td> <td>AVG</td> </tr> </tbody> </table>								No.	Frequency (MHz)	Reading (dBuV)	Factor (dB/m)	Level (dBuV/m)	Limit (dBuV/m)	Margin (dB)	Detector	1	10539.591	38.19	13.93	52.12	74.00	-21.88	peak	2 *	10540.767	22.72	13.93	36.65	54.00	-17.35	AVG
No.	Frequency (MHz)	Reading (dBuV)	Factor (dB/m)	Level (dBuV/m)	Limit (dBuV/m)	Margin (dB)	Detector																								
1	10539.591	38.19	13.93	52.12	74.00	-21.88	peak																								
2 *	10540.767	22.72	13.93	36.65	54.00	-17.35	AVG																								
Remarks: 1.Factor (dB/m) = Antenna Factor (dB/m)+Cable Factor (dB)-Pre-amplifier Factor 2.Margin value = Level -Limit value																															

Ant No.:	Ant 8+ANT 9																														
Ant. Pol.:	Vertical																														
Test Mode:	TX 802.11ac(VHT40) Mode 5270MHz (U-NII-2A)																														
Remark:	No report for the emission which more than 10 dB below the prescribed limit.																														
<table border="1"> <thead> <tr> <th>No.</th> <th>Frequency (MHz)</th> <th>Reading (dBuV)</th> <th>Factor (dB/m)</th> <th>Level (dBuV/m)</th> <th>Limit (dBuV/m)</th> <th>Margin (dB)</th> <th>Detector</th> </tr> </thead> <tbody> <tr> <td>1</td> <td>10539.209</td> <td>38.94</td> <td>13.92</td> <td>52.86</td> <td>74.00</td> <td>-21.14</td> <td>peak</td> </tr> <tr> <td>2 *</td> <td>10540.051</td> <td>23.15</td> <td>13.93</td> <td>37.08</td> <td>54.00</td> <td>-16.92</td> <td>AVG</td> </tr> </tbody> </table>								No.	Frequency (MHz)	Reading (dBuV)	Factor (dB/m)	Level (dBuV/m)	Limit (dBuV/m)	Margin (dB)	Detector	1	10539.209	38.94	13.92	52.86	74.00	-21.14	peak	2 *	10540.051	23.15	13.93	37.08	54.00	-16.92	AVG
No.	Frequency (MHz)	Reading (dBuV)	Factor (dB/m)	Level (dBuV/m)	Limit (dBuV/m)	Margin (dB)	Detector																								
1	10539.209	38.94	13.92	52.86	74.00	-21.14	peak																								
2 *	10540.051	23.15	13.93	37.08	54.00	-16.92	AVG																								
Remarks: 1.Factor (dB/m) = Antenna Factor (dB/m)+Cable Factor (dB)-Pre-amplifier Factor 2.Margin value = Level -Limit value																															



Ant No.:	Ant 8+ANT 9																														
Ant. Pol.:	Horizontal																														
Test Mode:	TX 802.11ac(VHT40) Mode 5310MHz (U-NII-2A)																														
Remark:	No report for the emission which more than 10 dB below the prescribed limit.																														
<table border="1"> <thead> <tr> <th>No.</th> <th>Frequency (MHz)</th> <th>Reading (dBuV)</th> <th>Factor (dB/m)</th> <th>Level (dBuV/m)</th> <th>Limit (dBuV/m)</th> <th>Margin (dB)</th> <th>Detector</th> </tr> </thead> <tbody> <tr> <td>1</td> <td>10619.597</td> <td>38.19</td> <td>14.11</td> <td>52.30</td> <td>74.00</td> <td>-21.70</td> <td>peak</td> </tr> <tr> <td>2 *</td> <td>10620.921</td> <td>22.60</td> <td>14.11</td> <td>36.71</td> <td>54.00</td> <td>-17.29</td> <td>AVG</td> </tr> </tbody> </table>								No.	Frequency (MHz)	Reading (dBuV)	Factor (dB/m)	Level (dBuV/m)	Limit (dBuV/m)	Margin (dB)	Detector	1	10619.597	38.19	14.11	52.30	74.00	-21.70	peak	2 *	10620.921	22.60	14.11	36.71	54.00	-17.29	AVG
No.	Frequency (MHz)	Reading (dBuV)	Factor (dB/m)	Level (dBuV/m)	Limit (dBuV/m)	Margin (dB)	Detector																								
1	10619.597	38.19	14.11	52.30	74.00	-21.70	peak																								
2 *	10620.921	22.60	14.11	36.71	54.00	-17.29	AVG																								
Remarks: 1.Factor (dB/m) = Antenna Factor (dB/m)+Cable Factor (dB)-Pre-amplifier Factor 2.Margin value = Level -Limit value																															

Ant No.:	Ant 8+ANT 9																														
Ant. Pol.:	Vertical																														
Test Mode:	TX 802.11ac(VHT40) Mode 5310MHz (U-NII-2A)																														
Remark:	No report for the emission which more than 10 dB below the prescribed limit.																														
<table border="1"> <thead> <tr> <th>No.</th> <th>Frequency (MHz)</th> <th>Reading (dBuV)</th> <th>Factor (dB/m)</th> <th>Level (dBuV/m)</th> <th>Limit (dBuV/m)</th> <th>Margin (dB)</th> <th>Detector</th> </tr> </thead> <tbody> <tr> <td>1</td> <td>10619.843</td> <td>38.54</td> <td>14.11</td> <td>52.65</td> <td>74.00</td> <td>-21.35</td> <td>peak</td> </tr> <tr> <td>2 *</td> <td>10619.886</td> <td>23.28</td> <td>14.11</td> <td>37.39</td> <td>54.00</td> <td>-16.61</td> <td>AVG</td> </tr> </tbody> </table>								No.	Frequency (MHz)	Reading (dBuV)	Factor (dB/m)	Level (dBuV/m)	Limit (dBuV/m)	Margin (dB)	Detector	1	10619.843	38.54	14.11	52.65	74.00	-21.35	peak	2 *	10619.886	23.28	14.11	37.39	54.00	-16.61	AVG
No.	Frequency (MHz)	Reading (dBuV)	Factor (dB/m)	Level (dBuV/m)	Limit (dBuV/m)	Margin (dB)	Detector																								
1	10619.843	38.54	14.11	52.65	74.00	-21.35	peak																								
2 *	10619.886	23.28	14.11	37.39	54.00	-16.61	AVG																								
Remarks: 1.Factor (dB/m) = Antenna Factor (dB/m)+Cable Factor (dB)-Pre-amplifier Factor 2.Margin value = Level -Limit value																															



Ant No.:	Ant 8+ANT 9																														
Ant. Pol.:	Horizontal																														
Test Mode:	TX 802.11ac(VHT80) Mode 5290MHz (U-NII-2A)																														
Remark:	No report for the emission which more than 10 dB below the prescribed limit.																														
<table border="1"> <thead> <tr> <th>No.</th> <th>Frequency (MHz)</th> <th>Reading (dBuV)</th> <th>Factor (dB/m)</th> <th>Level (dBuV/m)</th> <th>Limit (dBuV/m)</th> <th>Margin (dB)</th> <th>Detector</th> </tr> </thead> <tbody> <tr> <td>1 *</td> <td>10579.547</td> <td>22.97</td> <td>14.02</td> <td>36.99</td> <td>54.00</td> <td>-17.01</td> <td>AVG</td> </tr> <tr> <td>2</td> <td>10580.511</td> <td>37.58</td> <td>14.02</td> <td>51.60</td> <td>74.00</td> <td>-22.40</td> <td>peak</td> </tr> </tbody> </table>								No.	Frequency (MHz)	Reading (dBuV)	Factor (dB/m)	Level (dBuV/m)	Limit (dBuV/m)	Margin (dB)	Detector	1 *	10579.547	22.97	14.02	36.99	54.00	-17.01	AVG	2	10580.511	37.58	14.02	51.60	74.00	-22.40	peak
No.	Frequency (MHz)	Reading (dBuV)	Factor (dB/m)	Level (dBuV/m)	Limit (dBuV/m)	Margin (dB)	Detector																								
1 *	10579.547	22.97	14.02	36.99	54.00	-17.01	AVG																								
2	10580.511	37.58	14.02	51.60	74.00	-22.40	peak																								
Remarks: 1. Factor (dB/m) = Antenna Factor (dB/m)+Cable Factor (dB)-Pre-amplifier Factor 2. Margin value = Level -Limit value																															

Ant No.:	Ant 8+ANT 9																														
Ant. Pol.:	Vertical																														
Test Mode:	TX 802.11ac(VHT80) Mode 5290MHz (U-NII-2A)																														
Remark:	No report for the emission which more than 10 dB below the prescribed limit.																														
<table border="1"> <thead> <tr> <th>No.</th> <th>Frequency (MHz)</th> <th>Reading (dBuV)</th> <th>Factor (dB/m)</th> <th>Level (dBuV/m)</th> <th>Limit (dBuV/m)</th> <th>Margin (dB)</th> <th>Detector</th> </tr> </thead> <tbody> <tr> <td>1</td> <td>10580.743</td> <td>39.30</td> <td>14.02</td> <td>53.32</td> <td>74.00</td> <td>-20.68</td> <td>peak</td> </tr> <tr> <td>2 *</td> <td>10580.863</td> <td>23.76</td> <td>14.02</td> <td>37.78</td> <td>54.00</td> <td>-16.22</td> <td>AVG</td> </tr> </tbody> </table>								No.	Frequency (MHz)	Reading (dBuV)	Factor (dB/m)	Level (dBuV/m)	Limit (dBuV/m)	Margin (dB)	Detector	1	10580.743	39.30	14.02	53.32	74.00	-20.68	peak	2 *	10580.863	23.76	14.02	37.78	54.00	-16.22	AVG
No.	Frequency (MHz)	Reading (dBuV)	Factor (dB/m)	Level (dBuV/m)	Limit (dBuV/m)	Margin (dB)	Detector																								
1	10580.743	39.30	14.02	53.32	74.00	-20.68	peak																								
2 *	10580.863	23.76	14.02	37.78	54.00	-16.22	AVG																								
Remarks: 1. Factor (dB/m) = Antenna Factor (dB/m)+Cable Factor (dB)-Pre-amplifier Factor 2. Margin value = Level -Limit value																															



Ant No.:	Ant 8																														
Ant. Pol.:	Horizontal																														
Test Mode:	TX 802.11a Mode 5500MHz (U-NII-2C)																														
Remark:	No report for the emission which more than 10 dB below the prescribed limit.																														
<table border="1"> <thead> <tr> <th>No.</th> <th>Frequency (MHz)</th> <th>Reading (dBuV)</th> <th>Factor (dB/m)</th> <th>Level (dBuV/m)</th> <th>Limit (dBuV/m)</th> <th>Margin (dB)</th> <th>Detector</th> </tr> </thead> <tbody> <tr> <td>1</td> <td>10999.341</td> <td>38.00</td> <td>14.97</td> <td>52.97</td> <td>74.00</td> <td>-21.03</td> <td>peak</td> </tr> <tr> <td>2 *</td> <td>10999.435</td> <td>23.22</td> <td>14.97</td> <td>38.19</td> <td>54.00</td> <td>-15.81</td> <td>AVG</td> </tr> </tbody> </table>								No.	Frequency (MHz)	Reading (dBuV)	Factor (dB/m)	Level (dBuV/m)	Limit (dBuV/m)	Margin (dB)	Detector	1	10999.341	38.00	14.97	52.97	74.00	-21.03	peak	2 *	10999.435	23.22	14.97	38.19	54.00	-15.81	AVG
No.	Frequency (MHz)	Reading (dBuV)	Factor (dB/m)	Level (dBuV/m)	Limit (dBuV/m)	Margin (dB)	Detector																								
1	10999.341	38.00	14.97	52.97	74.00	-21.03	peak																								
2 *	10999.435	23.22	14.97	38.19	54.00	-15.81	AVG																								
Remarks: 1. Factor (dB/m) = Antenna Factor (dB/m)+Cable Factor (dB)-Pre-amplifier Factor 2. Margin value = Level -Limit value																															

Ant No.:	Ant 8																														
Ant. Pol.:	Vertical																														
Test Mode:	TX 802.11a Mode 5500MHz (U-NII-2C)																														
Remark:	No report for the emission which more than 10 dB below the prescribed limit.																														
<table border="1"> <thead> <tr> <th>No.</th> <th>Frequency (MHz)</th> <th>Reading (dBuV)</th> <th>Factor (dB/m)</th> <th>Level (dBuV/m)</th> <th>Limit (dBuV/m)</th> <th>Margin (dB)</th> <th>Detector</th> </tr> </thead> <tbody> <tr> <td>1</td> <td>10999.921</td> <td>38.75</td> <td>14.97</td> <td>53.72</td> <td>74.00</td> <td>-20.28</td> <td>peak</td> </tr> <tr> <td>2 *</td> <td>11000.546</td> <td>24.04</td> <td>14.97</td> <td>39.01</td> <td>54.00</td> <td>-14.99</td> <td>AVG</td> </tr> </tbody> </table>								No.	Frequency (MHz)	Reading (dBuV)	Factor (dB/m)	Level (dBuV/m)	Limit (dBuV/m)	Margin (dB)	Detector	1	10999.921	38.75	14.97	53.72	74.00	-20.28	peak	2 *	11000.546	24.04	14.97	39.01	54.00	-14.99	AVG
No.	Frequency (MHz)	Reading (dBuV)	Factor (dB/m)	Level (dBuV/m)	Limit (dBuV/m)	Margin (dB)	Detector																								
1	10999.921	38.75	14.97	53.72	74.00	-20.28	peak																								
2 *	11000.546	24.04	14.97	39.01	54.00	-14.99	AVG																								
Remarks: 1. Factor (dB/m) = Antenna Factor (dB/m)+Cable Factor (dB)-Pre-amplifier Factor 2. Margin value = Level -Limit value																															



Ant No.:	Ant 8																														
Ant. Pol.:	Horizontal																														
Test Mode:	TX 802.11a Mode 5580MHz (U-NII-2C)																														
Remark:	No report for the emission which more than 10 dB below the prescribed limit.																														
<table border="1"> <thead> <tr> <th>No.</th> <th>Frequency (MHz)</th> <th>Reading (dBuV)</th> <th>Factor (dB/m)</th> <th>Level (dBuV/m)</th> <th>Limit (dBuV/m)</th> <th>Margin (dB)</th> <th>Detector</th> </tr> </thead> <tbody> <tr> <td>1 *</td> <td>11159.882</td> <td>23.40</td> <td>14.98</td> <td>38.38</td> <td>54.00</td> <td>-15.62</td> <td>AVG</td> </tr> <tr> <td>2</td> <td>11160.619</td> <td>37.58</td> <td>14.98</td> <td>52.56</td> <td>74.00</td> <td>-21.44</td> <td>peak</td> </tr> </tbody> </table>								No.	Frequency (MHz)	Reading (dBuV)	Factor (dB/m)	Level (dBuV/m)	Limit (dBuV/m)	Margin (dB)	Detector	1 *	11159.882	23.40	14.98	38.38	54.00	-15.62	AVG	2	11160.619	37.58	14.98	52.56	74.00	-21.44	peak
No.	Frequency (MHz)	Reading (dBuV)	Factor (dB/m)	Level (dBuV/m)	Limit (dBuV/m)	Margin (dB)	Detector																								
1 *	11159.882	23.40	14.98	38.38	54.00	-15.62	AVG																								
2	11160.619	37.58	14.98	52.56	74.00	-21.44	peak																								
Remarks: 1. Factor (dB/m) = Antenna Factor (dB/m)+Cable Factor (dB)-Pre-amplifier Factor 2. Margin value = Level -Limit value																															

Ant No.:	Ant 8																														
Ant. Pol.:	Vertical																														
Test Mode:	TX 802.11a Mode 5580MHz (U-NII-2C)																														
Remark:	No report for the emission which more than 10 dB below the prescribed limit.																														
<table border="1"> <thead> <tr> <th>No.</th> <th>Frequency (MHz)</th> <th>Reading (dBuV)</th> <th>Factor (dB/m)</th> <th>Level (dBuV/m)</th> <th>Limit (dBuV/m)</th> <th>Margin (dB)</th> <th>Detector</th> </tr> </thead> <tbody> <tr> <td>1</td> <td>11159.066</td> <td>38.25</td> <td>14.98</td> <td>53.23</td> <td>74.00</td> <td>-20.77</td> <td>peak</td> </tr> <tr> <td>2 *</td> <td>11160.441</td> <td>24.38</td> <td>14.98</td> <td>39.36</td> <td>54.00</td> <td>-14.64</td> <td>AVG</td> </tr> </tbody> </table>								No.	Frequency (MHz)	Reading (dBuV)	Factor (dB/m)	Level (dBuV/m)	Limit (dBuV/m)	Margin (dB)	Detector	1	11159.066	38.25	14.98	53.23	74.00	-20.77	peak	2 *	11160.441	24.38	14.98	39.36	54.00	-14.64	AVG
No.	Frequency (MHz)	Reading (dBuV)	Factor (dB/m)	Level (dBuV/m)	Limit (dBuV/m)	Margin (dB)	Detector																								
1	11159.066	38.25	14.98	53.23	74.00	-20.77	peak																								
2 *	11160.441	24.38	14.98	39.36	54.00	-14.64	AVG																								
Remarks: 1. Factor (dB/m) = Antenna Factor (dB/m)+Cable Factor (dB)-Pre-amplifier Factor 2. Margin value = Level -Limit value																															



Ant No.:	Ant 8																														
Ant. Pol.:	Horizontal																														
Test Mode:	TX 802.11a Mode 5700MHz (U-NII-2C)																														
Remark:	No report for the emission which more than 10 dB below the prescribed limit.																														
<table border="1"> <thead> <tr> <th>No.</th> <th>Frequency (MHz)</th> <th>Reading (dBuV)</th> <th>Factor (dB/m)</th> <th>Level (dBuV/m)</th> <th>Limit (dBuV/m)</th> <th>Margin (dB)</th> <th>Detector</th> </tr> </thead> <tbody> <tr> <td>1 *</td> <td>11399.903</td> <td>21.01</td> <td>14.99</td> <td>36.00</td> <td>54.00</td> <td>-18.00</td> <td>AVG</td> </tr> <tr> <td>2</td> <td>11400.867</td> <td>37.06</td> <td>14.99</td> <td>52.05</td> <td>74.00</td> <td>-21.95</td> <td>peak</td> </tr> </tbody> </table>								No.	Frequency (MHz)	Reading (dBuV)	Factor (dB/m)	Level (dBuV/m)	Limit (dBuV/m)	Margin (dB)	Detector	1 *	11399.903	21.01	14.99	36.00	54.00	-18.00	AVG	2	11400.867	37.06	14.99	52.05	74.00	-21.95	peak
No.	Frequency (MHz)	Reading (dBuV)	Factor (dB/m)	Level (dBuV/m)	Limit (dBuV/m)	Margin (dB)	Detector																								
1 *	11399.903	21.01	14.99	36.00	54.00	-18.00	AVG																								
2	11400.867	37.06	14.99	52.05	74.00	-21.95	peak																								
Remarks: 1.Factor (dB/m) = Antenna Factor (dB/m)+Cable Factor (dB)-Pre-amplifier Factor 2.Margin value = Level -Limit value																															

Ant No.:	Ant 8																														
Ant. Pol.:	Vertical																														
Test Mode:	TX 802.11a Mode 5700MHz (U-NII-2C)																														
Remark:	No report for the emission which more than 10 dB below the prescribed limit.																														
<table border="1"> <thead> <tr> <th>No.</th> <th>Frequency (MHz)</th> <th>Reading (dBuV)</th> <th>Factor (dB/m)</th> <th>Level (dBuV/m)</th> <th>Limit (dBuV/m)</th> <th>Margin (dB)</th> <th>Detector</th> </tr> </thead> <tbody> <tr> <td>1 *</td> <td>11399.557</td> <td>21.24</td> <td>14.99</td> <td>36.23</td> <td>54.00</td> <td>-17.77</td> <td>AVG</td> </tr> <tr> <td>2</td> <td>11399.782</td> <td>37.66</td> <td>14.99</td> <td>52.65</td> <td>74.00</td> <td>-21.35</td> <td>peak</td> </tr> </tbody> </table>								No.	Frequency (MHz)	Reading (dBuV)	Factor (dB/m)	Level (dBuV/m)	Limit (dBuV/m)	Margin (dB)	Detector	1 *	11399.557	21.24	14.99	36.23	54.00	-17.77	AVG	2	11399.782	37.66	14.99	52.65	74.00	-21.35	peak
No.	Frequency (MHz)	Reading (dBuV)	Factor (dB/m)	Level (dBuV/m)	Limit (dBuV/m)	Margin (dB)	Detector																								
1 *	11399.557	21.24	14.99	36.23	54.00	-17.77	AVG																								
2	11399.782	37.66	14.99	52.65	74.00	-21.35	peak																								
Remarks: 1.Factor (dB/m) = Antenna Factor (dB/m)+Cable Factor (dB)-Pre-amplifier Factor 2.Margin value = Level -Limit value																															



Ant No.:	Ant 9																														
Ant. Pol.:	Horizontal																														
Test Mode:	TX 802.11a Mode 5500MHz (U-NII-2C)																														
Remark:	No report for the emission which more than 10 dB below the prescribed limit.																														
<table border="1"> <thead> <tr> <th>No.</th> <th>Frequency (MHz)</th> <th>Reading (dBuV)</th> <th>Factor (dB/m)</th> <th>Level (dBuV/m)</th> <th>Limit (dBuV/m)</th> <th>Margin (dB)</th> <th>Detector</th> </tr> </thead> <tbody> <tr> <td>1</td> <td>11000.078</td> <td>39.42</td> <td>15.37</td> <td>54.79</td> <td>74.00</td> <td>-19.21</td> <td>peak</td> </tr> <tr> <td>2 *</td> <td>11000.542</td> <td>22.94</td> <td>15.37</td> <td>38.31</td> <td>54.00</td> <td>-15.69</td> <td>AVG</td> </tr> </tbody> </table>								No.	Frequency (MHz)	Reading (dBuV)	Factor (dB/m)	Level (dBuV/m)	Limit (dBuV/m)	Margin (dB)	Detector	1	11000.078	39.42	15.37	54.79	74.00	-19.21	peak	2 *	11000.542	22.94	15.37	38.31	54.00	-15.69	AVG
No.	Frequency (MHz)	Reading (dBuV)	Factor (dB/m)	Level (dBuV/m)	Limit (dBuV/m)	Margin (dB)	Detector																								
1	11000.078	39.42	15.37	54.79	74.00	-19.21	peak																								
2 *	11000.542	22.94	15.37	38.31	54.00	-15.69	AVG																								
Remarks: 1. Factor (dB/m) = Antenna Factor (dB/m)+Cable Factor (dB)-Pre-amplifier Factor 2. Margin value = Level -Limit value																															

Ant No.:	Ant 9																														
Ant. Pol.:	Vertical																														
Test Mode:	TX 802.11a Mode 5500MHz (U-NII-2C)																														
Remark:	No report for the emission which more than 10 dB below the prescribed limit.																														
<table border="1"> <thead> <tr> <th>No.</th> <th>Frequency (MHz)</th> <th>Reading (dBuV)</th> <th>Factor (dB/m)</th> <th>Level (dBuV/m)</th> <th>Limit (dBuV/m)</th> <th>Margin (dB)</th> <th>Detector</th> </tr> </thead> <tbody> <tr> <td>1</td> <td>11000.117</td> <td>38.69</td> <td>15.37</td> <td>54.06</td> <td>74.00</td> <td>-19.94</td> <td>peak</td> </tr> <tr> <td>2 *</td> <td>11000.259</td> <td>23.11</td> <td>15.37</td> <td>38.48</td> <td>54.00</td> <td>-15.52</td> <td>AVG</td> </tr> </tbody> </table>								No.	Frequency (MHz)	Reading (dBuV)	Factor (dB/m)	Level (dBuV/m)	Limit (dBuV/m)	Margin (dB)	Detector	1	11000.117	38.69	15.37	54.06	74.00	-19.94	peak	2 *	11000.259	23.11	15.37	38.48	54.00	-15.52	AVG
No.	Frequency (MHz)	Reading (dBuV)	Factor (dB/m)	Level (dBuV/m)	Limit (dBuV/m)	Margin (dB)	Detector																								
1	11000.117	38.69	15.37	54.06	74.00	-19.94	peak																								
2 *	11000.259	23.11	15.37	38.48	54.00	-15.52	AVG																								
Remarks: 1. Factor (dB/m) = Antenna Factor (dB/m)+Cable Factor (dB)-Pre-amplifier Factor 2. Margin value = Level -Limit value																															



Ant No.:	Ant 9																														
Ant. Pol.:	Horizontal																														
Test Mode:	TX 802.11a Mode 5580MHz (U-NII-2C)																														
Remark:	No report for the emission which more than 10 dB below the prescribed limit.																														
<table border="1"> <thead> <tr> <th>No.</th> <th>Frequency (MHz)</th> <th>Reading (dBuV)</th> <th>Factor (dB/m)</th> <th>Level (dBuV/m)</th> <th>Limit (dBuV/m)</th> <th>Margin (dB)</th> <th>Detector</th> </tr> </thead> <tbody> <tr> <td>1</td> <td>11160.157</td> <td>38.92</td> <td>15.36</td> <td>54.28</td> <td>74.00</td> <td>-19.72</td> <td>peak</td> </tr> <tr> <td>2 *</td> <td>11160.495</td> <td>23.84</td> <td>15.36</td> <td>39.20</td> <td>54.00</td> <td>-14.80</td> <td>AVG</td> </tr> </tbody> </table>								No.	Frequency (MHz)	Reading (dBuV)	Factor (dB/m)	Level (dBuV/m)	Limit (dBuV/m)	Margin (dB)	Detector	1	11160.157	38.92	15.36	54.28	74.00	-19.72	peak	2 *	11160.495	23.84	15.36	39.20	54.00	-14.80	AVG
No.	Frequency (MHz)	Reading (dBuV)	Factor (dB/m)	Level (dBuV/m)	Limit (dBuV/m)	Margin (dB)	Detector																								
1	11160.157	38.92	15.36	54.28	74.00	-19.72	peak																								
2 *	11160.495	23.84	15.36	39.20	54.00	-14.80	AVG																								
Remarks: 1. Factor (dB/m) = Antenna Factor (dB/m)+Cable Factor (dB)-Pre-amplifier Factor 2. Margin value = Level -Limit value																															

Ant No.:	Ant 9																														
Ant. Pol.:	Vertical																														
Test Mode:	TX 802.11a Mode 5580MHz (U-NII-2C)																														
Remark:	No report for the emission which more than 10 dB below the prescribed limit.																														
<table border="1"> <thead> <tr> <th>No.</th> <th>Frequency (MHz)</th> <th>Reading (dBuV)</th> <th>Factor (dB/m)</th> <th>Level (dBuV/m)</th> <th>Limit (dBuV/m)</th> <th>Margin (dB)</th> <th>Detector</th> </tr> </thead> <tbody> <tr> <td>1 *</td> <td>11160.403</td> <td>22.60</td> <td>15.36</td> <td>37.96</td> <td>54.00</td> <td>-16.04</td> <td>AVG</td> </tr> <tr> <td>2</td> <td>11160.672</td> <td>39.02</td> <td>15.36</td> <td>54.38</td> <td>74.00</td> <td>-19.62</td> <td>peak</td> </tr> </tbody> </table>								No.	Frequency (MHz)	Reading (dBuV)	Factor (dB/m)	Level (dBuV/m)	Limit (dBuV/m)	Margin (dB)	Detector	1 *	11160.403	22.60	15.36	37.96	54.00	-16.04	AVG	2	11160.672	39.02	15.36	54.38	74.00	-19.62	peak
No.	Frequency (MHz)	Reading (dBuV)	Factor (dB/m)	Level (dBuV/m)	Limit (dBuV/m)	Margin (dB)	Detector																								
1 *	11160.403	22.60	15.36	37.96	54.00	-16.04	AVG																								
2	11160.672	39.02	15.36	54.38	74.00	-19.62	peak																								
Remarks: 1. Factor (dB/m) = Antenna Factor (dB/m)+Cable Factor (dB)-Pre-amplifier Factor 2. Margin value = Level -Limit value																															