

Wearable Device User Manual

Version 1.2

Operation	3
Attaching Holster to Armband	3
Wearing the Armband	4
Checking out a Wearable Device from the Base Station	5
Submitting a Voice Memo	6
Returning a Wearable Device to the Base Station	7
Cleaning the Wearable Devices	8
To clean wearable exterior surfaces:	8
To clean wearable device contacts:	8
Certification	9

Operation

Attaching Holster to Armband

1. Thread each side of the armband through the holster so that the hook and loop tab fold down onto the band. (Figure 1)

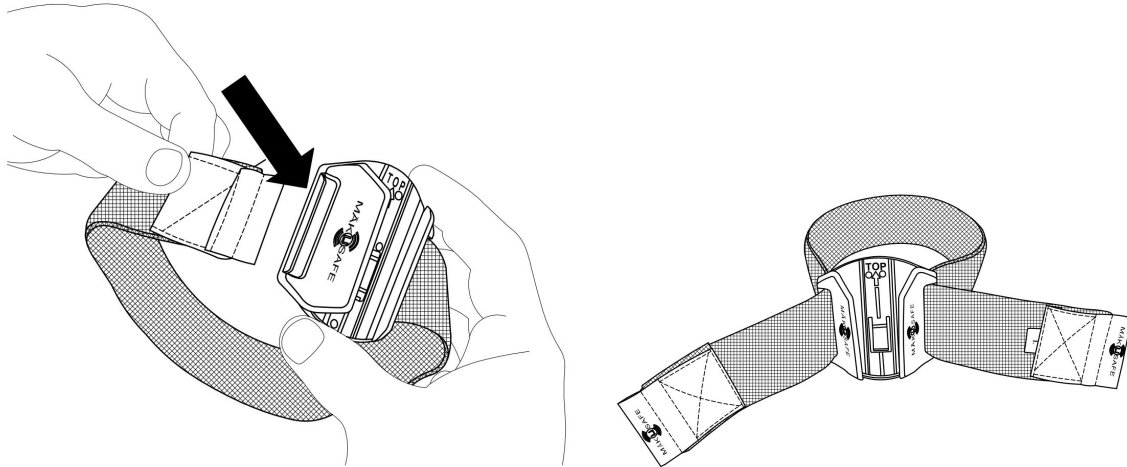


Figure 1

2. Adjust tabs so they attach to the band surface securely (Figure 2).

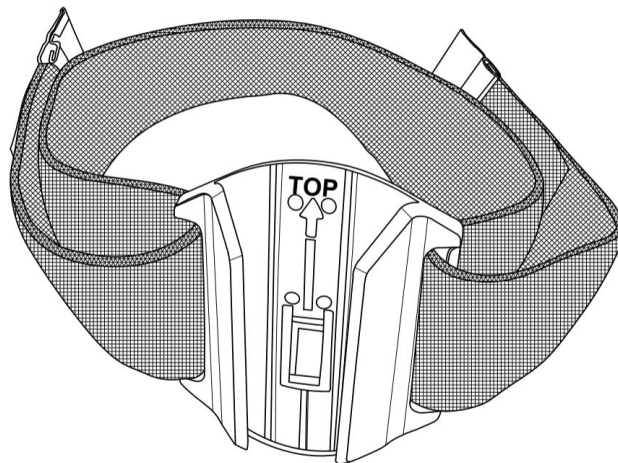


Figure 2

Wearing the Armband

1. Loosen the armband with the holster attached. (Figure 3)

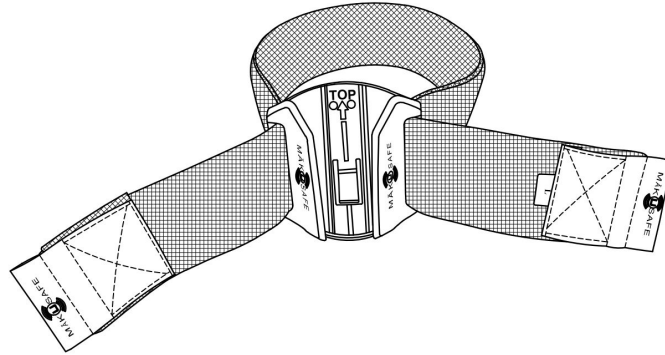


Figure 3

2. Slide the armband over your hand, over your clothing, and up to the upper part of your arm (above the bicep) positioning the holster so it is angled towards the outside of your arm with the arrow pointing up. (Figure 4)

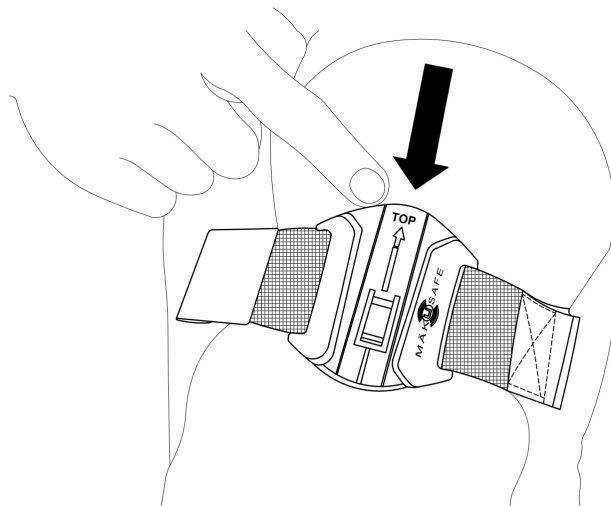


Figure 4

3. Tighten the armband so it rests securely and comfortably on your upper arm. Do not overtighten the armband. (Figure 5)

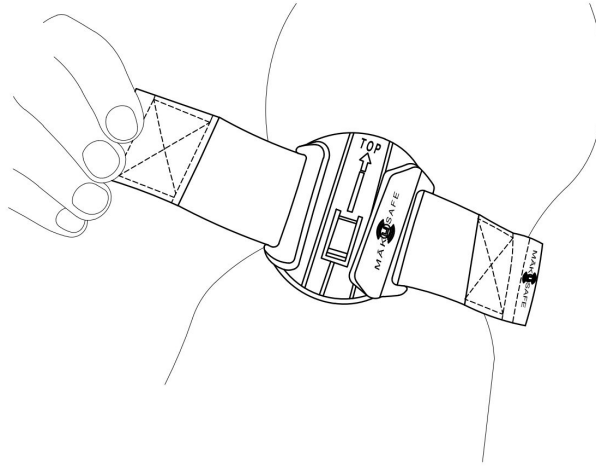


Figure 5

Checking out a Wearable Device from the Base Station

1. Verify the base station's display shows the "Please Enter Your ID Below" message. If it is not illuminated, then press a button on the keypad. Enter your ID and press the "ENTER" button. (Figure 6)

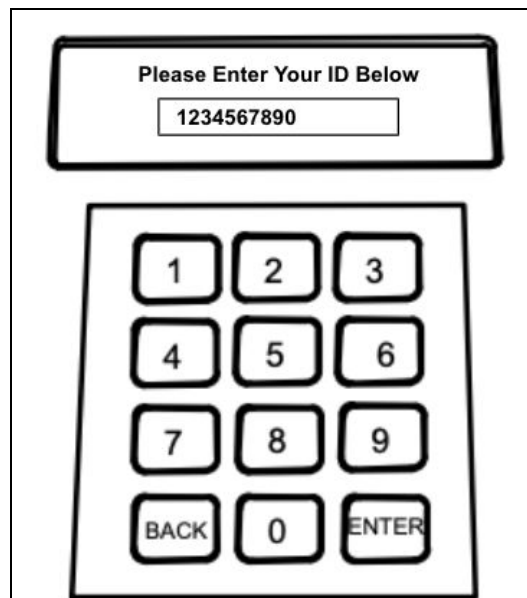


Figure 6

2. The message, “Hi <User name>, have a safe workday!” will be displayed below your ID on the screen, and a green light will flash around the bay that contains the wearable device that is being checked out.
3. Remove the wearable device from the bay that is flashing green.
4. Insert the wearable device into the holster by sliding it downward into the holster. When inserted properly, it will click into place. (Figure 7)

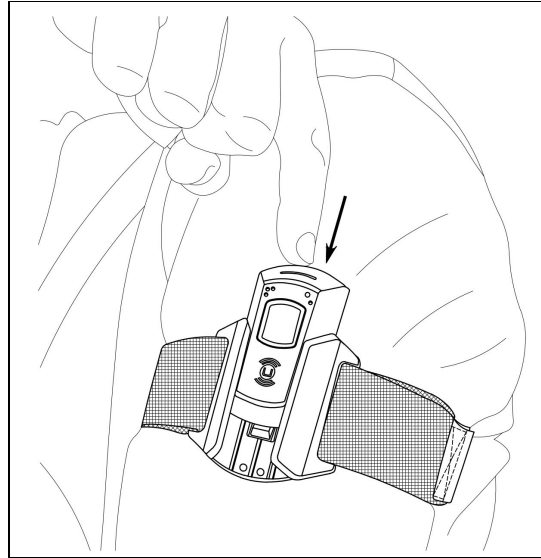


Figure 7

Submitting a Voice Memo

1. Push and hold the center button on the wearable device for 2 seconds. (Figure 8)
2. The LED on the wearable device will begin flashing red. (Figure 8)

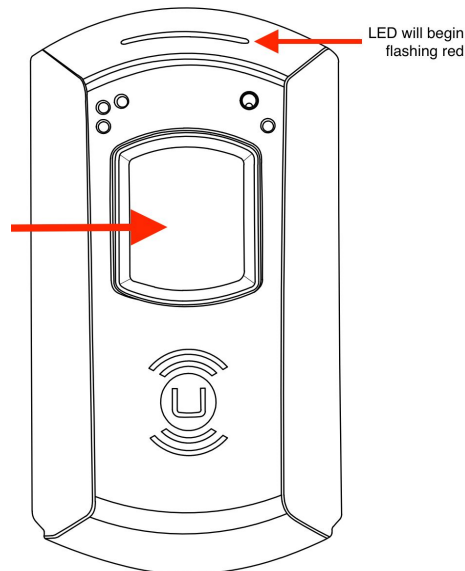


Figure 8

3. Continue to hold down the button and speak towards the wearable device to record up to a 15 second voice memo.
4. After completing a voice memo, release the button.

Returning a Wearable Device to the Base Station

1. Find an open bay in any base station installed at your facility.
2. Remove the wearable device from the holster by gently pressing up on the bottom of the wearable device. (Figure 9)

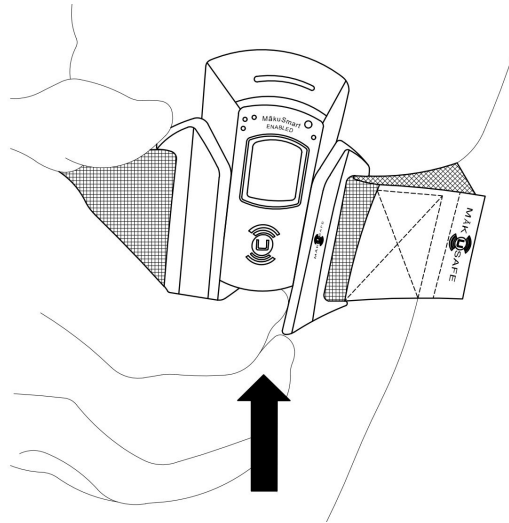


Figure 9

3. Insert the wearable device into any open base station bay. If the device needs to be charged, a red light will light up on the device shortly after it is inserted. When the device has enough charge, a red light will flash around the bay. (Figure 10)

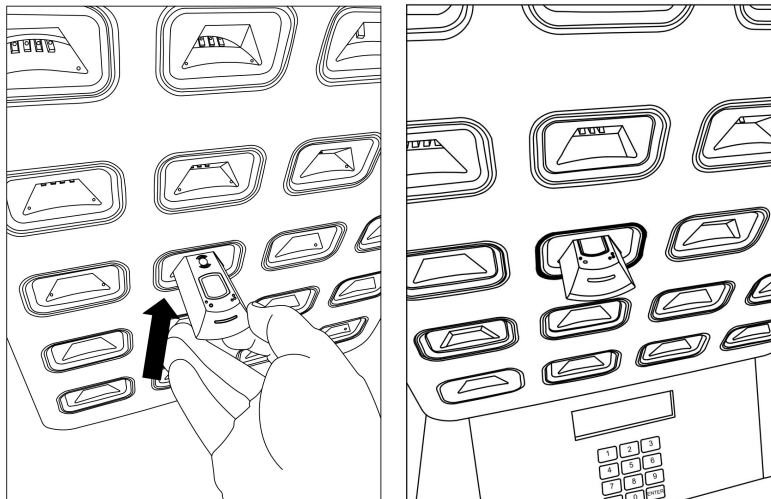


Figure 10

Cleaning the Wearable Devices

Wearable devices should be cleaned at least once every 3 months. Depending on environmental conditions, cleaning may need to be done more frequently.

To clean wearable exterior surfaces:

1. Dampen a microfiber cloth with clean water.
2. Wipe all plastic surfaces with microfiber cloth.
3. Dry surfaces with a dry microfiber cloth if necessary.

NOTE: Do not use solvents or other cleaners to avoid damaging electronic components.

To clean wearable device contacts:

1. Spray a microfiber cloth with an electronic contact cleaner (e.g. DeoxIT D5).
2. Wipe all contacts with microfiber cloth.
3. Dry surfaces with a dry microfiber cloth if necessary.

NOTE: Do not use solvents or other cleaners to avoid damaging electronic components.

UNDER SPECIAL CIRCUMSTANCES: To reduce the risk of transmission of viral or bacterial material on equipment surfaces, cleaning can be done to the exterior of the wearable device by quickly wiping the surfaces with [Clorox Anywhere Wipes](#) or similar product. Note the cleaning should be done quickly so the cleaning liquid doesn't enter the holes in the wearable device's front cover as that could potentially damage the air quality sensor.

Certification

FCC STATEMENT

CAUTION: Changes or modifications not expressly approved could void your authority to use this equipment

FCC Supplier's Declaration of Conformity Part 15 device § 2.1077 Compliance Information	
Trade Name :	MakuSafe Corp.
Model Number :	WRD-100
FCC Compliance Statement	
This device complies with part 15 of the FCC Rules. Operation is subject to the following two conditions: (1) This device may not cause harmful interference, and (2) this device must accept any interference received, including interference that may cause undesired operation.	
Responsible Party – U.S. Contact Information	
MakuSafe Corp. 1201 Maple Street West Des Moines, IA 50265 U.S.A.	
Phone: (515) 850-0995	

INDUSTRY CANADA STATEMENT

This device complies with Industry Canada license-exempt RSS standard(s). Operation is subject to the following two conditions: (1) this device may not cause interference, and (2) this device must accept any interference, including interference that may cause undesired operation of the device.

Le présent appareil est conforme aux CNR d'Industrie Canada applicables aux appareils radio exempts de licence. L'exploitation est autorisée aux deux conditions suivantes : (1) l'appareil ne doit pas produire de brouillage, et (2) l'utilisateur de l'appareil doit accepter tout brouillage

radioélectrique subi, même si le brouillage est susceptible d'en compromettre le fonctionnement.

CLASS B DIGITAL DEVICE

User manual statement required for devices subject to verification or certification or DoC:

Note: This equipment has been tested and found to comply with the limits for a Class B digital device, pursuant to part 15 of the FCC Rules. These limits are designed to provide reasonable protection against harmful interference in a residential installation. This equipment generates, uses and can radiate radio frequency energy and, if not installed and used in accordance with the instructions, may cause harmful interference to radio communications. However, there is no guarantee that interference will not occur in a particular installation. If this equipment does cause harmful interference to radio or television reception, which can be determined by turning the equipment off and on, the user is encouraged to try to correct the interference by one or more of the following measures:

- Reorient or relocate the receiving antenna.
- Increase the separation between the equipment and receiver.
- Connect the equipment into an outlet on a circuit different from that to which the receiver is connected.
- Consult the dealer or an experienced radio/TV technician for help.