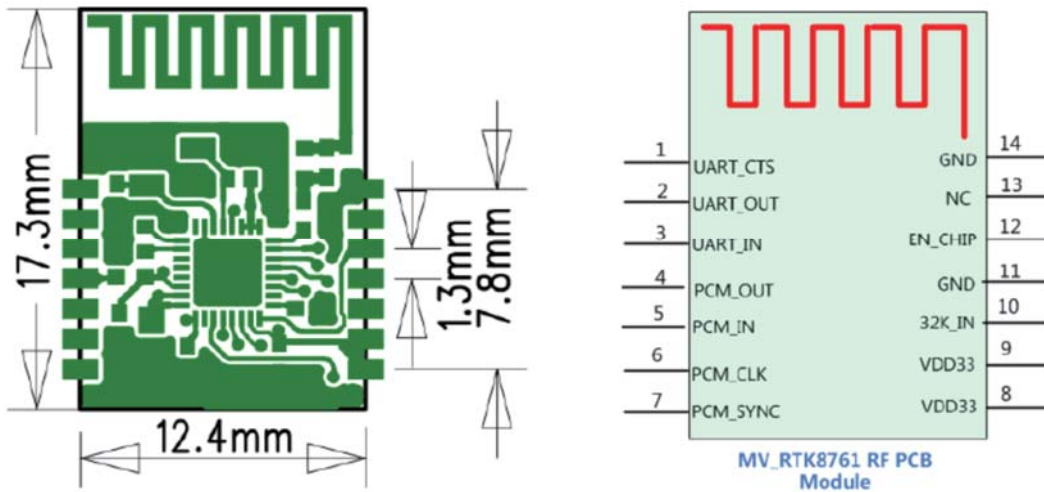




### MV-RTK8761 User's Manual

Brand Name	CELIA&PERAH
Model No.	MV-RTK8761
BT	4.0
File Format	MP3, WMA, WAV, LAC, AAC
Power	3.3V
Frequency	2.4GHz ( ISM Band )
Channel	
Tx power	Class 2, Typ. 4dBm



Pin#	Type	Pin Description
1	UART_CTS	Connect to UART RTS of Host MCU
2	UART_OUT	Connect to UART RX of Host MCU
3	UART_IN	Connect to UART TX of Host MCU
4	PCM_OUT	PCM data out (connect to DI of Host MCU)
5	PCM_IN	PCM data in (connect to DO of Host MCU)
6	PCM_CLK	PCM clock in
7	PCM_SYNC	PCM SYNC
8	VDD33	3.3V power supply in
9	VDD33	3.3V power supply in
10	32K_IN	32.768KHz Clock input
11	GND	Ground
12	EN_CHIP	Chip enable
13	NC	
14	GND	Ground



#### **Federal Communications Commission (FCC) Statement**

15.21

You are cautioned that changes or modifications not expressly approved by the part responsible for compliance could void the user's authority to operate the equipment.

15.105(b)

This equipment has been tested and found to comply with the limits for a Class B digital device, pursuant to part 15 of the FCC rules. These limits are designed to provide reasonable protection against harmful interference in a residential installation. This equipment generates, uses and can radiate radio frequency energy and, if not installed and used in accordance with the instructions, may cause harmful interference to radio communications. However, there is no guarantee that interference will not occur in a particular installation. If this equipment does cause harmful interference to radio or television reception, which can be determined by turning the equipment off and on, the user is encouraged to try to correct the interference by one or more of the following measures:

- Reorient or relocate the receiving antenna.
- Increase the separation between the equipment and receiver.
- Connect the equipment into an outlet on a circuit different from that to which the receiver is connected.
- Consult the dealer or an experienced radio/TV technician for help.

This device complies with Part 15 of the FCC Rules. Operation is subject to the following two conditions:

- 1) this device may not cause harmful interference, and
- 2) this device must accept any interference received, including interference that may cause undesired operation of the device.

#### **FCC RF Radiation Exposure Statement:**

This equipment complies with FCC radiation exposure limits set forth for an uncontrolled environment. This equipment should be installed and operated with minimum distance 20cm between the radiator & your body. This transmitter must not be co-located or operating in conjunction with any other antenna or transmitter.

**Note: The end product shall has the words "Contains Transmitter Module FCC ID: 2AC6T-R1 "**