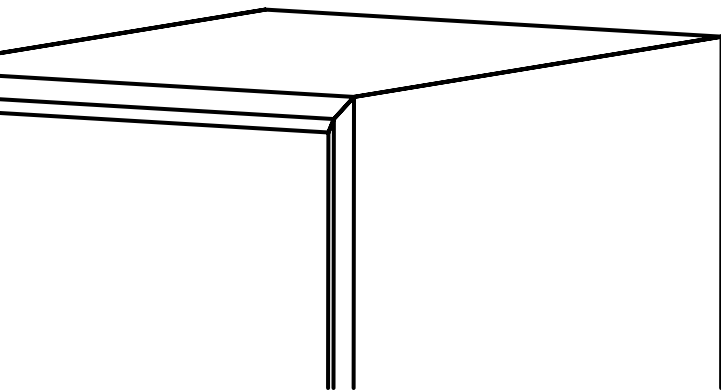


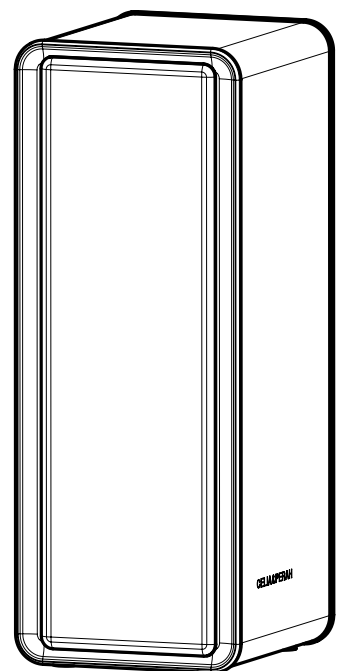
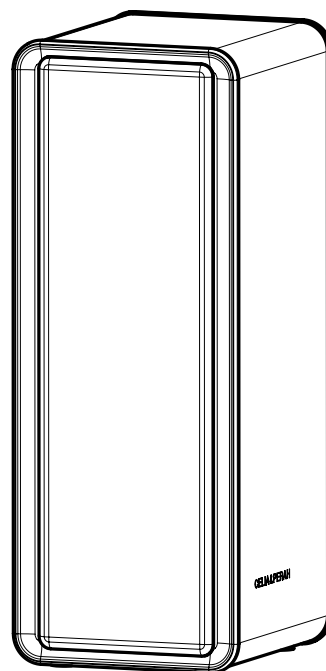
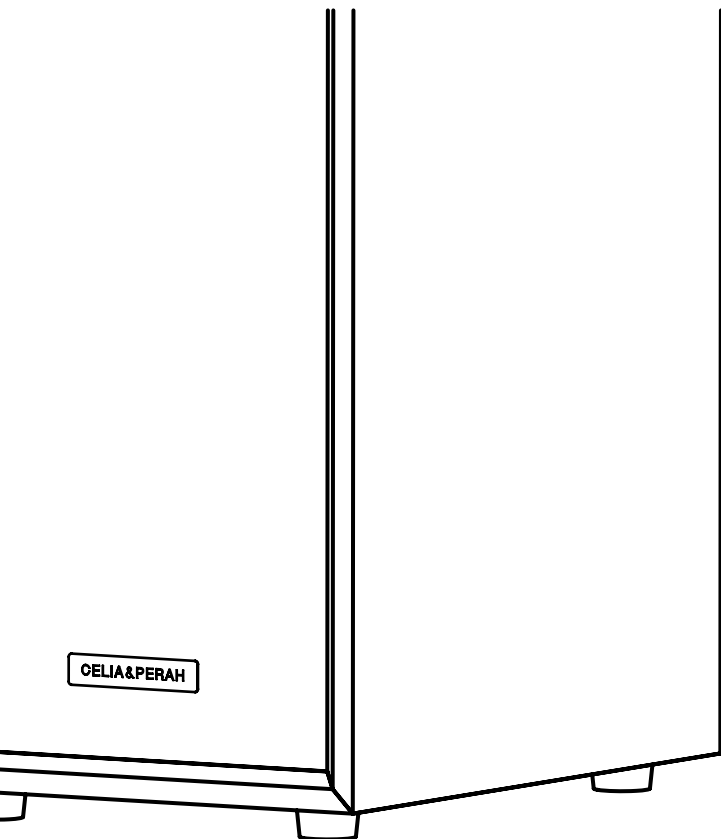


CELIA&PERAH

User Manual



M6 | The Dramatic Moment Wireless Scalable Hi-Fi Audio System



Getting started	4
Package contents	4
Controls, connections and display	5
Installation precautions	7
Installation	8
Installation suggestions	11
Audio source inputs	12
Settings	13
Powering on	13
Subwoofer and Zone 2 speakers connection (if any)	13
Main Speakers' left and right channels settings	15
Zone 2 Speakers' left and right channels settings	15
Sound testing	15
Remote control	16
Remote control buttons	16
Buttons functions explanation	16

Bluetooth	18
Pairing	18
Unpairing	18
Wi-Fi	19
Connecting M6 to your Wi-Fi network	19
Wi-Fi playback	24
C&P Connect playback instructions	24
Using AirPlay	25
Care and Maintenance	26
Troubleshooting	27
Important safety instructions	29

Package content

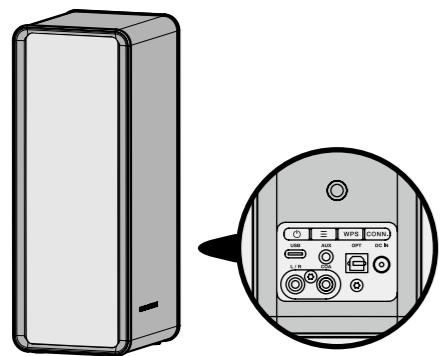
Package content description

2.1 set-up		4.1 set-up		6.1 set-up	
Main Speakers (pair)	1 unit	Main Speakers (pair)	1 unit	Main Speakers (pair)	1 unit
Subwoofer	1 unit	Zone 2 Speakers (pair)	1 unit	Zone 2 Speakers (pair)	2 units
		Subwoofer	1 unit	Subwoofer	1 unit

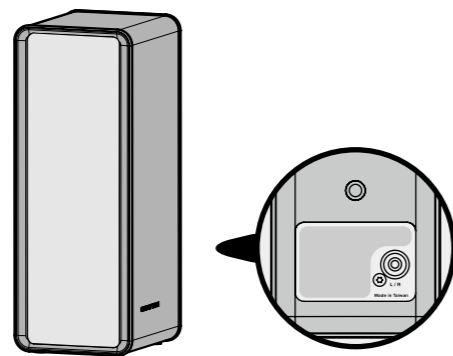
Please make sure that the package contains the following components:

» Main Speakers

Master speaker



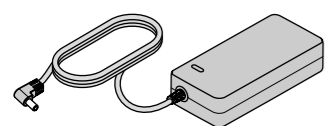
Slave speaker



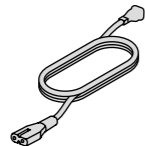
Remote control



Adapter



Power cord



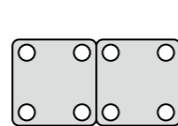
RCA cable



Rubber pads



Rubber pads template

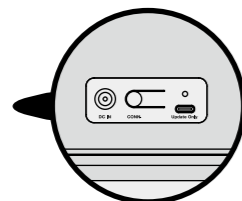
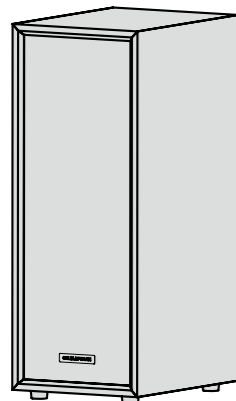


User manual

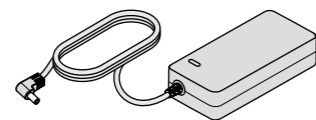


» Subwoofer

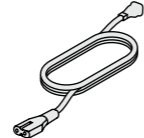
Subwoofer



Adapter

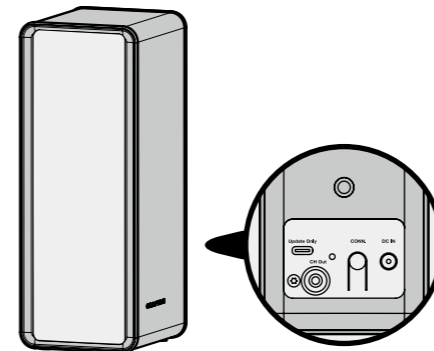


Power cord

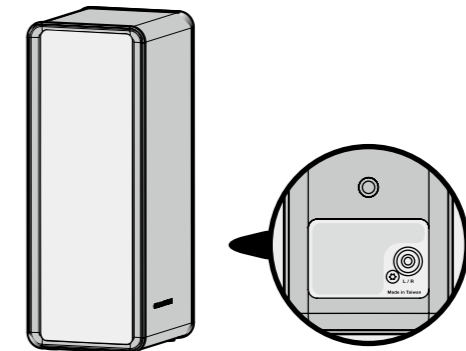


» Zone 2 Speakers

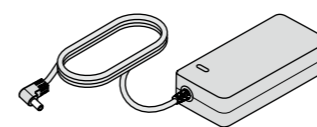
Master speaker



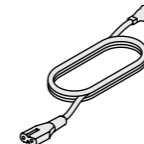
Slave speaker



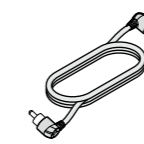
Adapter



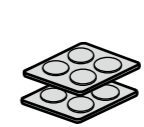
Power cord



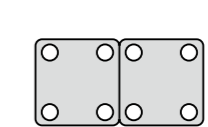
RCA cable



Rubber pads



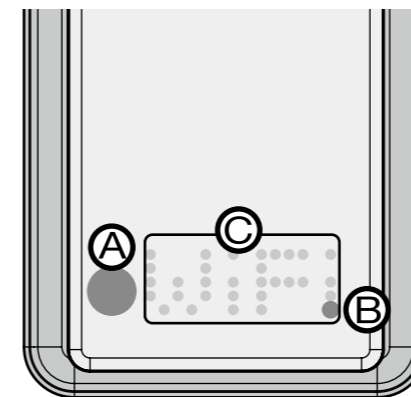
Rubber pads template



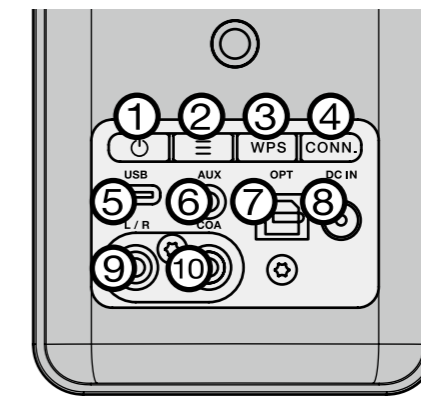
Controls, connections and display

» Main Speakers | | Control panel and display

Master speaker (front)



Master speaker (back)



- ① ON/OFF
- ② Source
- ③ WPS (Wi-Fi connection)
- ④ CONN. (C&P wireless connection)
- ⑤ USB-C input

- ⑥ 3.5 mm jack input
- ⑦ Optical input
- ⑧ DC in
- ⑨ RCA line connector
- ⑩ Coaxial input

Ⓐ Remote control receiving area

Ⓒ LED display

Ⓑ LED status indicator

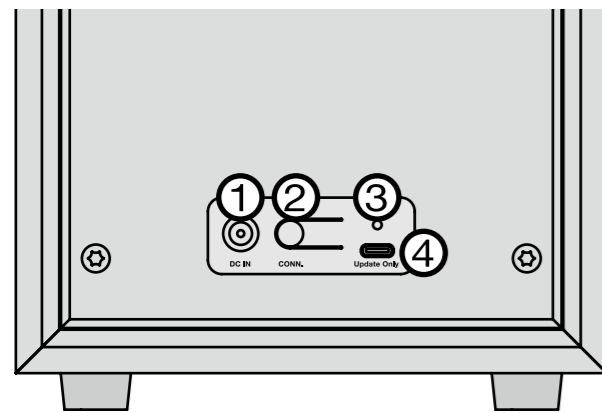
LED indicator

The LED display provides information such as source, volume and 3D mode selected, as well as an interface when operating the remote control; the LED status indicator shows the connection status of the Subwoofer and the Zone 2 Speakers. For detailed instructions, please refer to the table below.

LED indicator	Current state
Steady light	Stand-by
Blinking light	Entering pairing mode
Change in quantity	It indicates whether the Zone 2 Speakers or the Subwoofer are currently connected

» Subwoofer | Connections

Subwoofer(back)



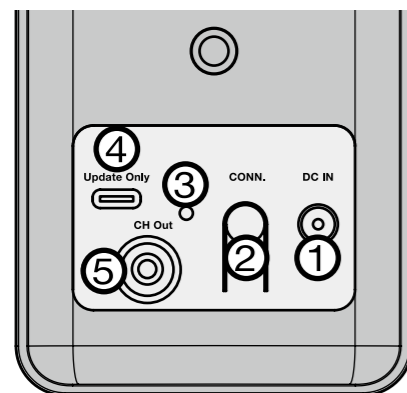
- ① DC in
- ② CONN.
- ③ LED status indicator
- ④ Software update port

LED indicator

LED indicator	Current state
Slow blinking	Stand-by
Quick blinking	Waiting for the Main Speakers to enter pairing mode
Steady light	Paired with the Main Speakers

» Zone 2 Speakers | Connections

Master speaker (back)



- ① DC in
- ② CONN.
- ③ LED status indicator
- ④ Software update port
- ⑤ RCA line connector (left and right channel connection)

LED indicator

LED indicator	Current state
Slow blinking	Stand-by
Quick blinking	Waiting for the Main Speakers to enter pairing mode
Steady light	Paired with the Main Speakers

Installation precautions

- To avoid any interference, please keep the Main Speakers and other wireless devices (such as Wi-Fi routers, wireless phones etc.) at least 30 cm away one from the other, and make sure that no wall or metal barrier is found between the Main Speakers, the Zone 2 Speakers and the Subwoofer.
- Direct the front (soft grille) of the Main Speakers towards the centre of the room.
- If you wish to install the Main Speakers on a bookshelf or cabinet, make sure to position them nearby the front edge to avoid the sound to be affected.
- Place the Subwoofer's rubber pads on the ground and make sure that the power outlet is located nearby the installation spot.
- Do not place anything on top of the Main Speakers or the Subwoofer.
- Keep the speakers away from heat sources.

Installation accessories

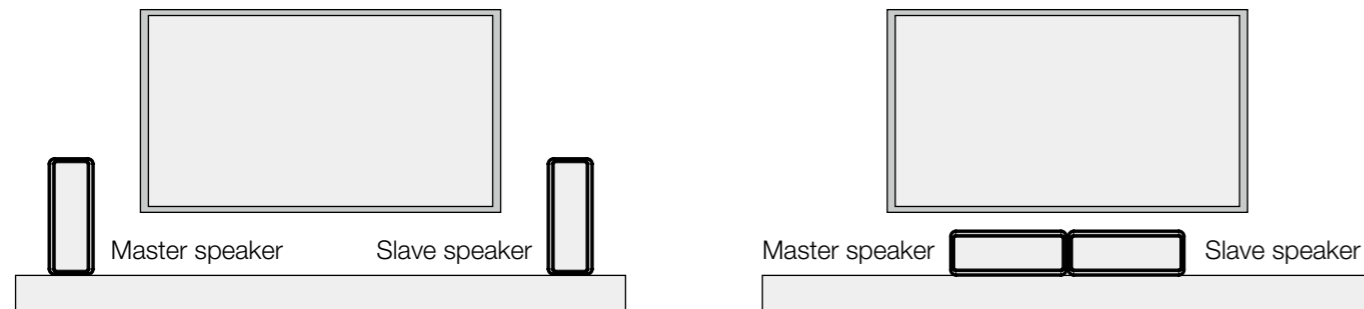
Main Speakers and Zone 2 Speakers can be installed on wall mounts or desk stands as well. To purchase them, please contact C&P's distribution channel or visit directly the C&P website at www.celia-perah.com.

Installation

» Main Speakers

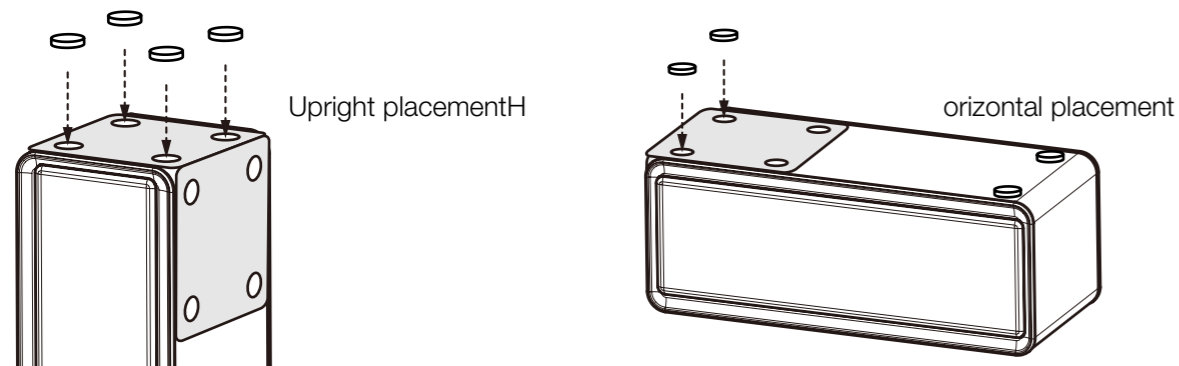
① Master and slave speaker positioning

Position the master speaker—the one with the control panel on the back—on the left side of the listening position and the slave speaker on the right side. Depending on the position of the TV screen and the surroundings, the speakers can be placed upright on the left and right sides of the screen, or horizontally below the screen.



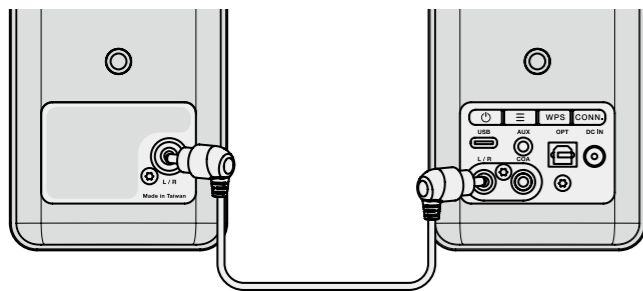
② Adhesive rubber pads

Align the template to the four corners of the speaker's bottom and attach the rubber pads one after the other.



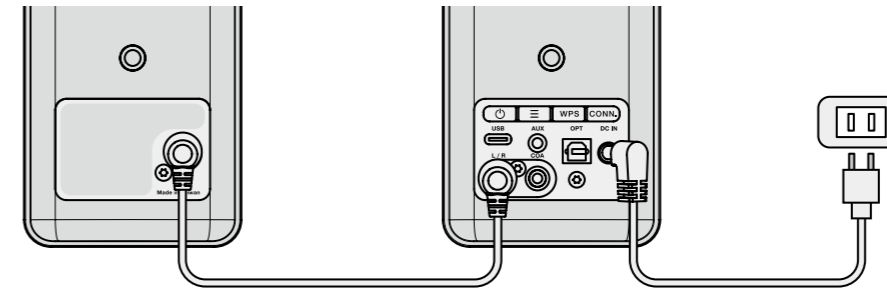
③ Master and slave speaker connection

Insert the RCA cable into the L/R into the connection ports on the back of the two speakers.



④ Connecting the power

Plug one end of the power cord into the DC IN power port on the back of the active speaker and plug the other end into a power outlet.



» Subwoofer

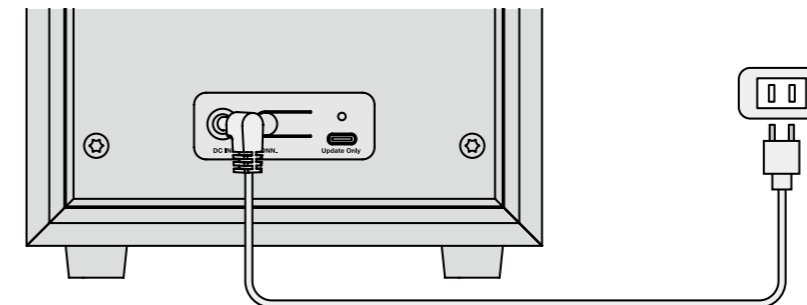
① Installation spot

Place the Subwoofer nearby a power outlet with the rubber pads on the ground.

Tip: Place the Subwoofer at a distance of 30 cm from the corner of the room for optimal performances. Place the Subwoofer nearby the listening position for a more direct and powerful bass performance.

② Connecting the power

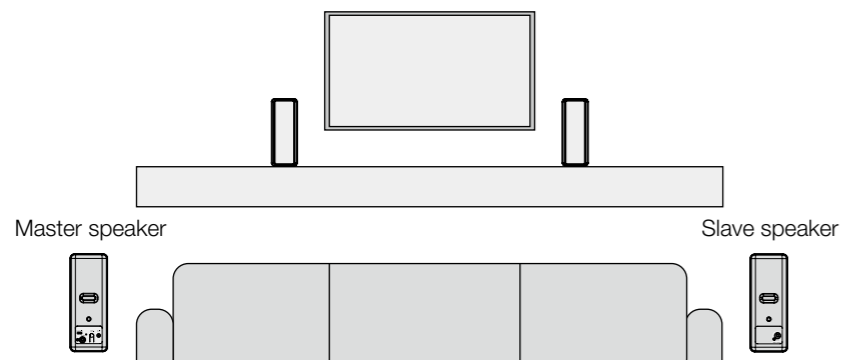
Plug one end of the power cord into the DC IN power port on the back of the Subwoofer and plug the other end into a power outlet.
Attention: The LED indicator will light up and blink slowly.



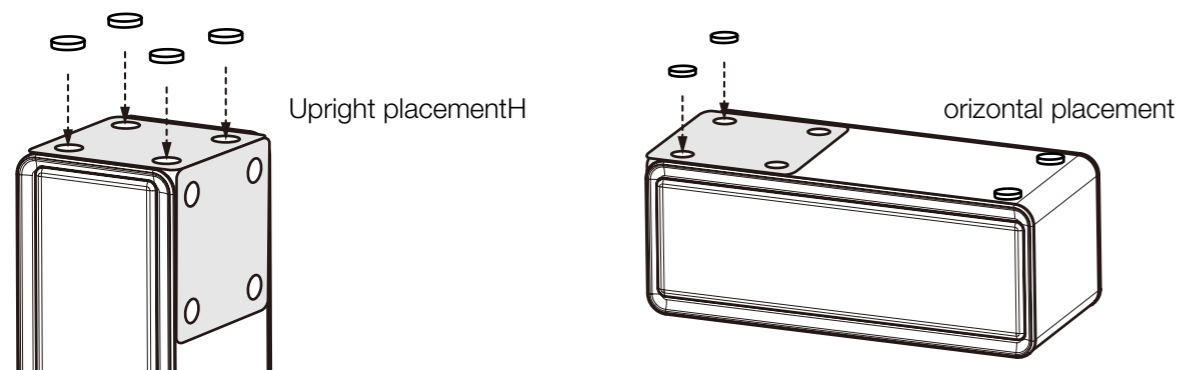
» Zone 2 Speakers (if any)

① Master and slave speaker positioning

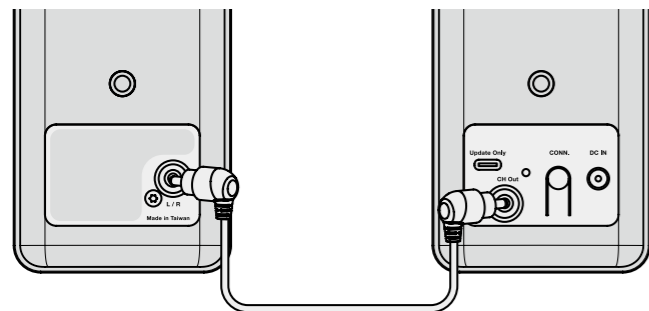
The active speaker—the one with the connection ports and the buttons on the back—should be installed to the left side of the listening position, while the passive speaker should be installed to the right.



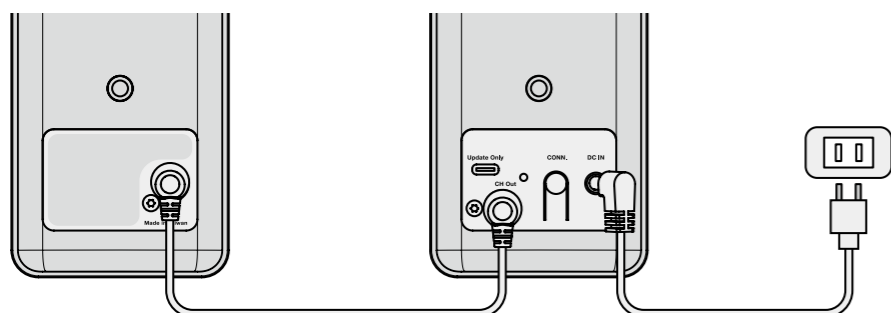
- ② Adhesive rubber pads
Align the rubber pad template to the four corners of the speaker's bottom and attach the rubber pads one after the other.



- ③ Slave and master speaker connection
Insert the two ends of the RCA cable into the L/R and CH Outconnection ports on the back of the Zone 2 Speakers.

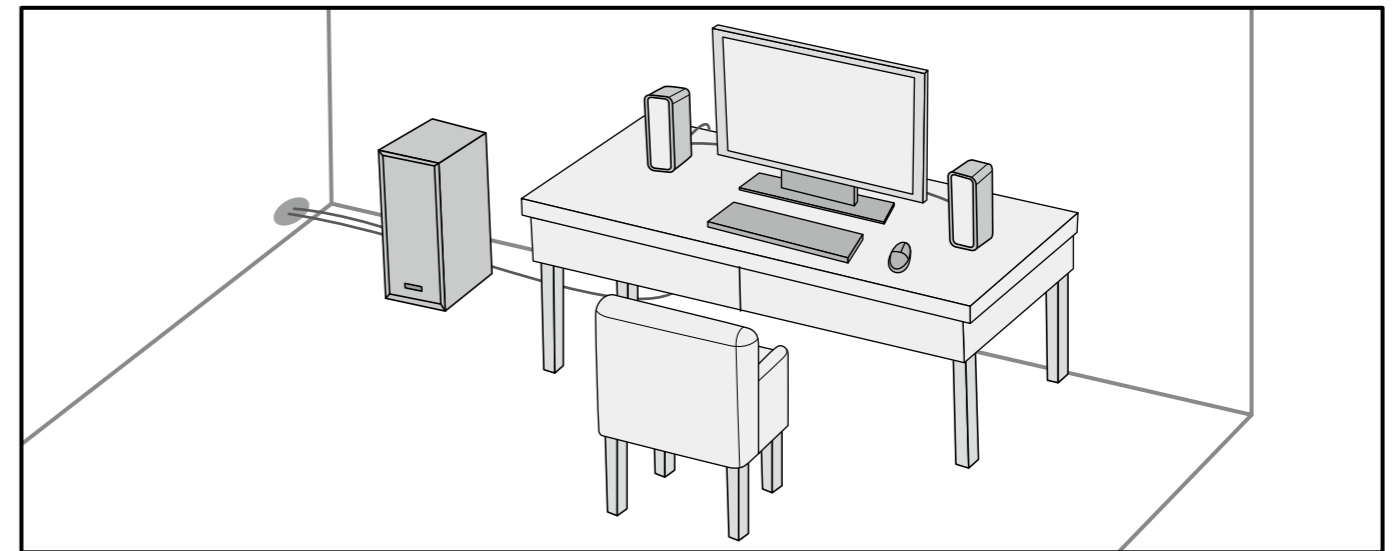


- ④ Connecting the power
Plug one end of the power cord into the DC IN power port on the back of the active speaker and plug the other end into a power outlet.
Attention: The LED indicator will light up and blink slowly.

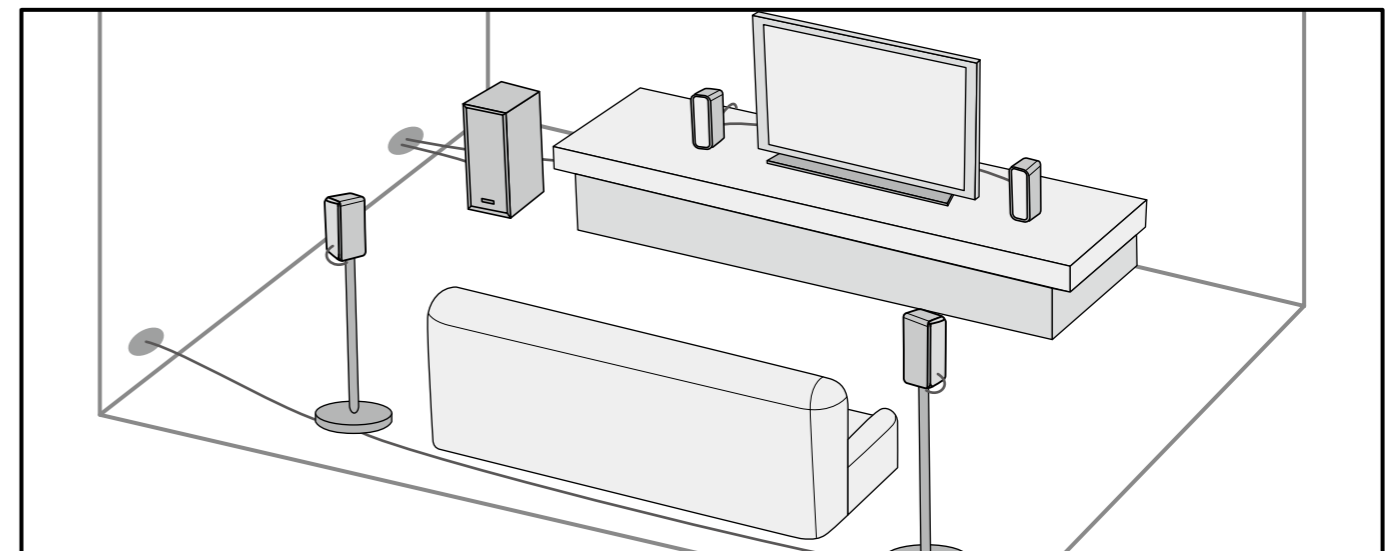


Installation suggestions

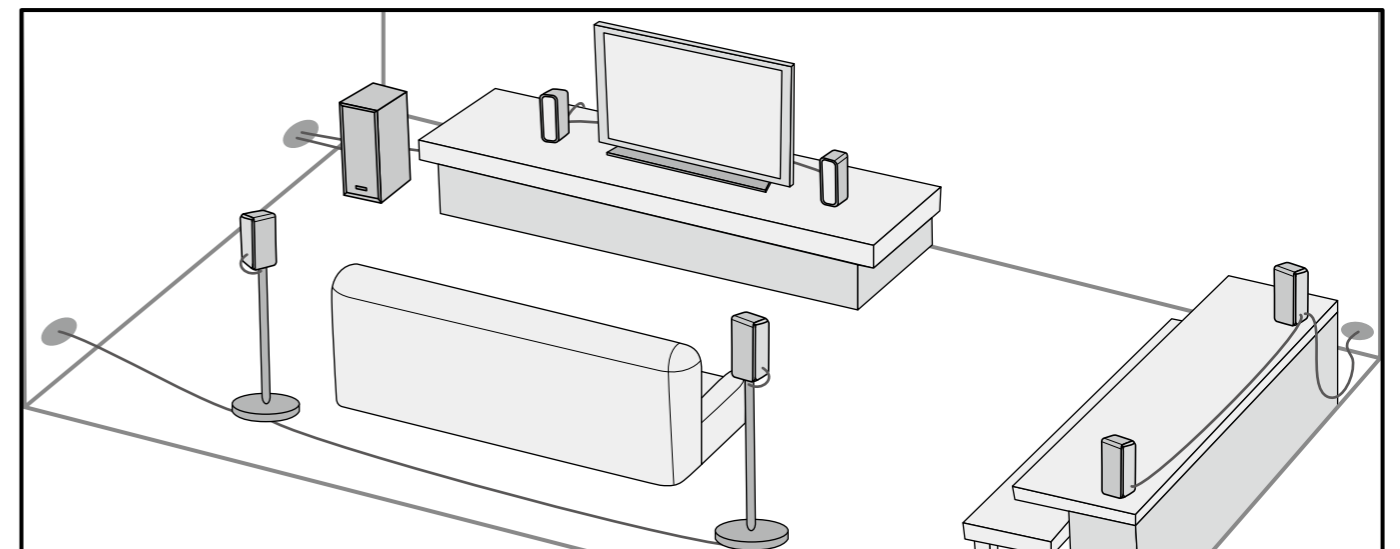
2.1 set-up - suitable for the bedroom



4.1 set-up - suitable for the living room



6.1 set-up - suitable for larger living rooms or commercial spaces



Audio source inputs

You can connect the Main Speakers to your TV using the following inputs: optical, coaxial, 3.5 mm jack

You can connect the Main Speakers to your PC using the following inputs: USB, 3.5 mm jack, Bluetooth, Wi-Fi

You can connect the Main Speakers to your smartphone or tablet using the following inputs: Bluetooth, Wi-Fi, 3.5 mm input

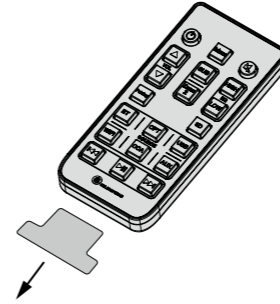
You can connect the Main Speakers to your gaming console or Blu-ray player using the following inputs: Optical, coaxial

You can connect the Main Speakers to other sources such as turntable or CD player using the following inputs: 3.5 mm jack

Attention: to connect an audio source wirelessly, using Bluetooth or Wi-Fi, see pages 18 to 23.

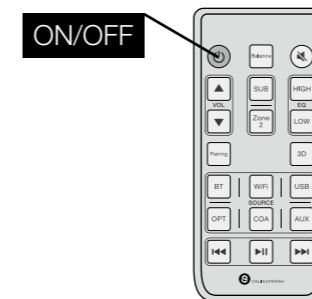
Powering on

- ① Remove the battery insulation slip from the battery compartment of the remote control to allow the remote control battery to supply power.



- ② Point the remote control at the remote control receiving area on the front of the speaker and press the Power button: you will hear the system power-on tone. [LED display: boot animation and preset audio source (BT)]

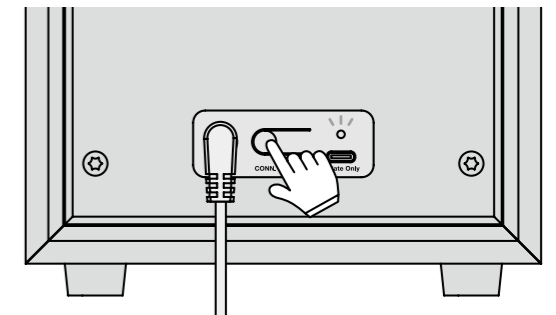
Attention: The next time you power on the system, the most recently used audio source will be selected by default.



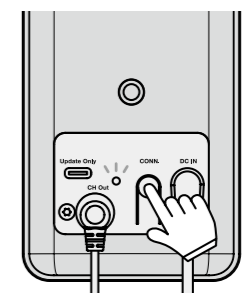
Subwoofer and Zone 2 Speakers pairing (if any)

» Subwoofer/Zone 2 Speakers operation:

- ① Press and hold the CONN. button on the Subwoofer until the LED indicator starts blinking rapidly: the Subwoofer is now in the C&P wireless connection pairing mode.

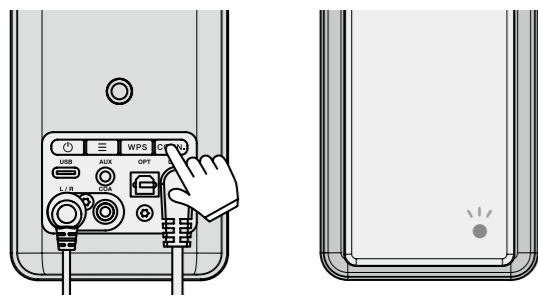


- ② Press and hold the CONN. button on the Zone 2 Speakers until the LED indicator starts blinking rapidly: the Zone 2 Speakers are now in the C&P wireless connection pairing mode.



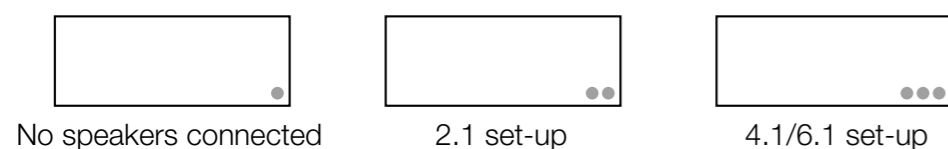
» Main Speakers operation:

- ① Short press the CONN. button on the Main Speaker control panel: the LED will go from steady light to blinking, indicating that the Main Speaker has entered the C&P wireless connection pairing mode. The Main Speaker will automatically search for nearby speakers that can be connected.



- ② After pairing successfully, the LED indicators on the Subwoofer and the Zone 2 Speakers will stop blinking, and the number of LEDs displayed on the Main Speaker's display will vary accordingly to the configuration (a 2.1 configuration will be signalled by two LEDs, 4.1/6.1 configurations will be signalled by three LEDs); Now, press the CONN. button of the Main Speaker again to exit pairing mode and stop searching for new speakers to connect.

Master speaker LED display explanation



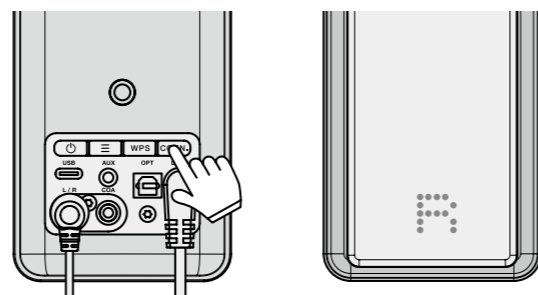
Tip: Main Speakers Main Speakers、 Zone 2 Speakers。

Main Speakers' left and right channels setting up

The active speaker is preset to be the left channel. If your power outlet is found on the right side, you can switch the active speaker to the right channel by following the steps below.

Short press the Power button on the control panel of the Main Speaker to swap channels. The LED display will show an R (right channel), and the slave speaker will show an L (left channel). (After pressing the power button again, the left and right channels will be swapped again.)

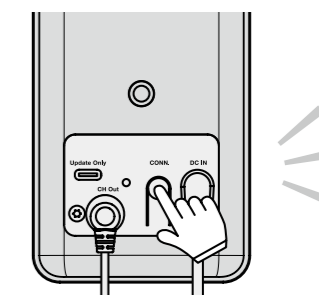
Attention: The system will automatically return to the default settings after powering it off.



Zone 2 Speakers' left and right channels setting up

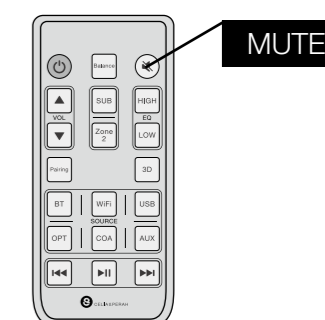
The active speaker of the Zone 2 Speakers is pre-set to be the left channel. If your power outlet is found on the right side, you can switch the active speaker to the right channel by following the steps below.

Short press the CONN. button on the back of the active speaker to swap to R (right channel); the slave speaker will beep to indicate that it has been swapped to L (left channel). (Press the CONN. button again and the left and right channels will be swapped again.)



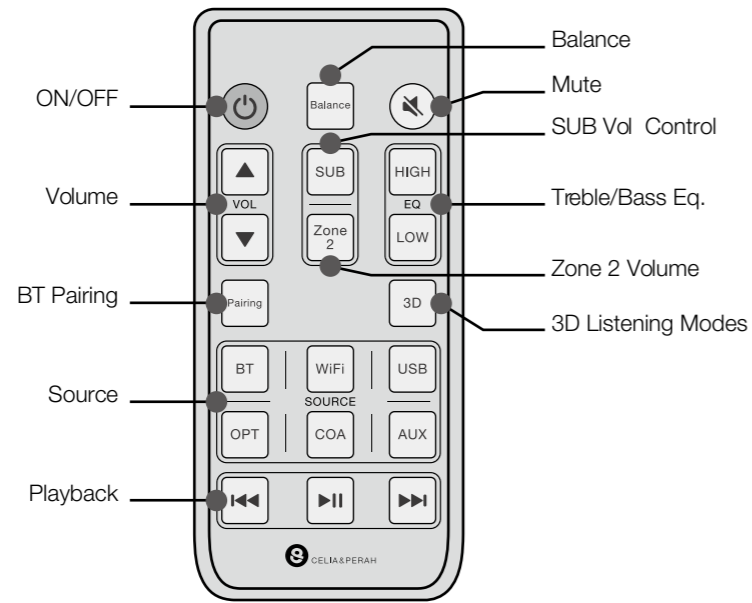
Testing the system

- ① 1. Connect an audio source from TV/PC/Blu-ray player/Turntable.
- ② 2. Press the audio source button [OPT/Coaxial (COA)/USB (USB)/3.5mm (AUX)] on the remote control to switch the audio source from the preset one [Bluetooth (BT)] to the audio source that is currently connected.
- ③ 3. The Main Speakers, the Subwoofer and the Zone 2 Speakers (if any) will start reproducing the sound.
- ④ 4. Press the Mute button on the remote control.
- ⑤ 5. The Main Speakers, the Subwoofer and the Zone 2 Speakers (if any) will stop reproducing the sound.



Attention: If the audio source you are connecting to is a TV, turn off the built-in speakers to avoid any sound distortion. For the detailed steps, please refer to the TV user manual.

Remote control buttons



Buttons functions

Audio source switching

You can connect all the audio sources at once and switch through them by operating the remote control.

- ① Make sure that all the audio sources are connected and powered on.
- ② The interaction between the sound sources, the buttons on the SOURCE area of the remote control, and the LED display is as follows:

Input	Bluetooth	Optical	USB-C	Wi-Fi	Coaxial	3.5 mm jack
Button	BT	OPT	USB	WIFI	COA	AUX
LED display	BT	OPT	USB	WiFi	COA	AUX

Attention: If you switch audio source during playback, the speakers will receive the audio signal from the next source and reproduce it right away. Switching source will not pause the previous audio source. If you want to pause the playback of the previous audio source, please operate through the interface of the source itself.

Volume adjusting

On the remote:

- Press ▲ in the VOL area to increase the volume. [LED display: from the current level up to +99]
- Press ▼ in the VOL area to decrease the volume. [LED display: from current level down to mute]
- Press the Mute button to mute the speakers and press it again to unmute them. [LED display: mute or previous volume]

Tip: When connecting a new audio source for the first time, set the volume of the audio source to the maximum level. By doing so, you will be able to adjust the volume by operating the remote control only.

Left and right channel balance adjusting

You can freely adjust the volume of the left and right channel to achieve the best listening experience based on the placement of the speakers and the listening position.

- ① Press the Balance button on the remote control. [LED display: currently set value; default value is 0]
- ② Press the ▲ or ▼ buttons in the VOL area to adjust the volume of the left and right channel. [LED display: adjust gradually from the currently set value up to L+9 or R+9]

Bass and treble adjusting

You can freely adjust bass and treble according to different types of music and your personal listening preferences.

- ① Press the HIGH or LOW button in the EQ area. [LED DISPLAY: HI or LO]
- ② Press the ▲ or ▼ Button of the VOL area to adjust the bass or treble. [LED display: increase from the current value up to +6 or decrease down to -6]

Switching between the sound modes

You can choose the most suitable among the three 3D modes available (Stereo, Live, Movie) to suit different types of audio content

- ① Press the 3D button on the remote control: the LED display will show the currently set mode. [LED display: STEREO/LIVE/MOVIE]
- ② Press the 3D button to switch between the modes.

Subwoofer volume adjustment

You can freely adjust the volume of the subwoofer.

- ① Press the SUB button on the remote control. [LED display: SUB]
- ② Press the ▲ or ▼ button in the VOL area to adjust the volume of the subwoofer. [LED display: from the current value up to +6 or down to -12]

Zone 2 Speakers volume adjustment (if any)

You can freely adjust the volume of the Zone 2 Speakers.

- ① Press the Zone 2 button on the remote control. [LED display: Z2]
- ② Press the ▲ or ▼ button in the VOL area to adjust the volume of the Zone 2 Speakers. [LED display: from the current volume up to 0 or down to -12]**

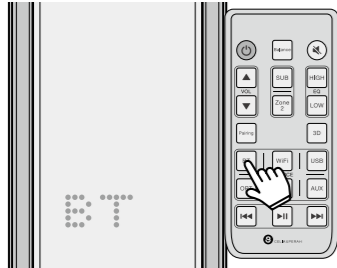
Playback control

In Bluetooth and Wi-Fi modes, you can operate the Play/Pause and Next/Previous playback controls on the remote.

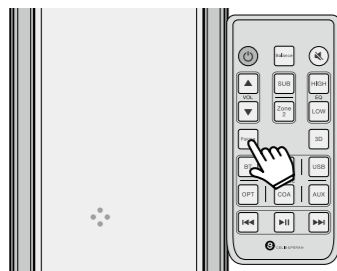
You can pair M6 with a Bluetooth-enabled audio device such as your smartphone, tablet or laptop.

Pairing

- 1 Press the BT button in the SOURCE area of the remote control. [LED display: BT].



- 2 Press the Pairing button above the BT button to put M6 into the Bluetooth pairing mode. [LED display: pairing symbol].



- 3 Make sure that Bluetooth is enabled on the device.
Attention: This is usually found in the device's Settings menu.
- 4 Select "CnP M6 BT" from the "List of available Bluetooth devices" on the device.
- 5 Successful pairing.
- 6 Now you can stream your music wirelessly via Bluetooth.
Attention: You can pair any Bluetooth-enabled device with M6. After the first time, you simply need to tap on the M6 unit in the Bluetooth devices list: you won't need to go through the pairing process again; However, at most two devices can be connected to M6 at the same time. When M6 is already connected to two devices, other devices will no longer be able to connect to M6.

※ If pairing or connection is unsuccessful, there may be already two devices connected to M6. If this is the case, press the Pairing button again to re-enter pairing mode and disconnect all the devices.

Unpairing

- 1 Access the list of available Bluetooth devices on the device.
- 2 Tap the settings icon on the right of the "CnP M6 BT" name.
- 3 Tap "Unpair" or "Forget this device".

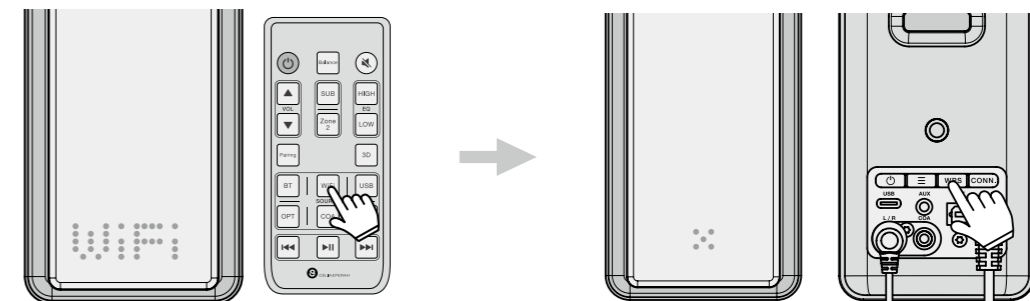
You can connect multiple M6 systems installed in different rooms through the Wi-Fi network. The mobile devices under the same network can remotely control the systems through the C&P Connect app. You can set the systems to play the same track simultaneously or different tracks individually; In addition, you can answer calls or perform other activities on the mobile devices at the same time: the music reproduction will not be interrupted.

Download and install the C&P Connect app



Connecting M6 to your Wi-Fi network

- 1 Locate the WIFI button on the remote control and the WPS button on the back of the Main Speaker and press them in sequence.
You will hear the "Entering setup mode" and "Follow the instructions in the app to finish the setup" notifications.



- 2 Connect your mobile device to your home Wi-Fi network
- 3 Open the C&P Connect app
- 4 The description in the centre of the screen will let you know the Name of the current Wi-Fi network, tap "Add device" below.



iOS



Android

- ⑤ Follow the instructions on the screen and tap "Settings" below to connect to M6 in the Wi-Fi settings of the mobile device.



iOS



Android

- ⑥ Find "CnP-M6_XXXX" in the Wi-Fi list and tap Connect. You will hear the "You're now connected to your speaker" and "Follow the instructions in the app to finish the setup" notifications.



iOS



Android

- ⑦ Return to the C&P Connect app.
- ⑧ The list of available Wi-Fi networks will appear: select your home Wi-Fi network and enter the Wi-Fi password. Then, tap "Continue". You will hear the "Connected to your Wi-Fi network" notification.



iOS

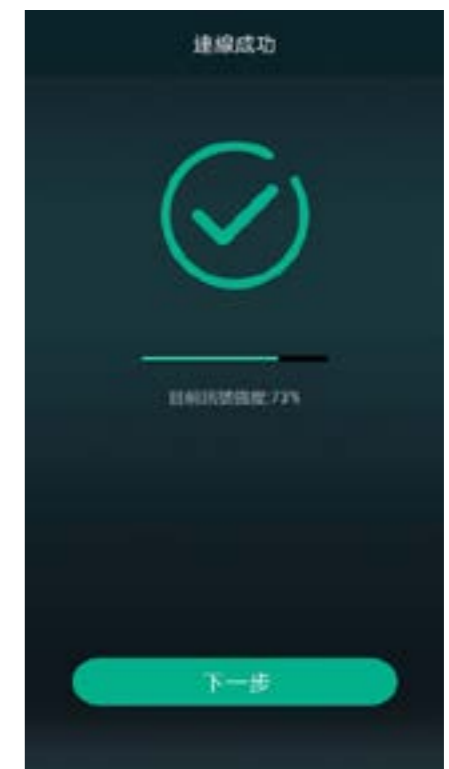


Android

- ⑨ Tap "Next" on the C&P Connect app screen.



iOS



Android

- ⑩ If you have multiple sets that you want to use in different rooms at the same time, you can modify the name of each unit for easier identification. When editing is complete, tap ">" on the top right corner.

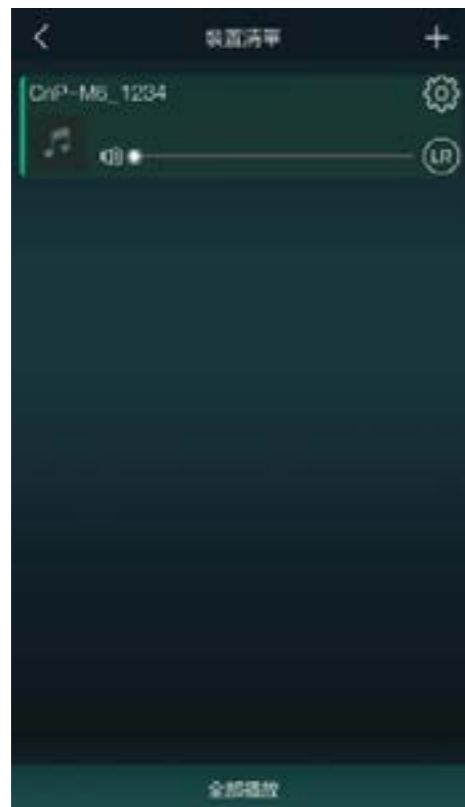


iOS

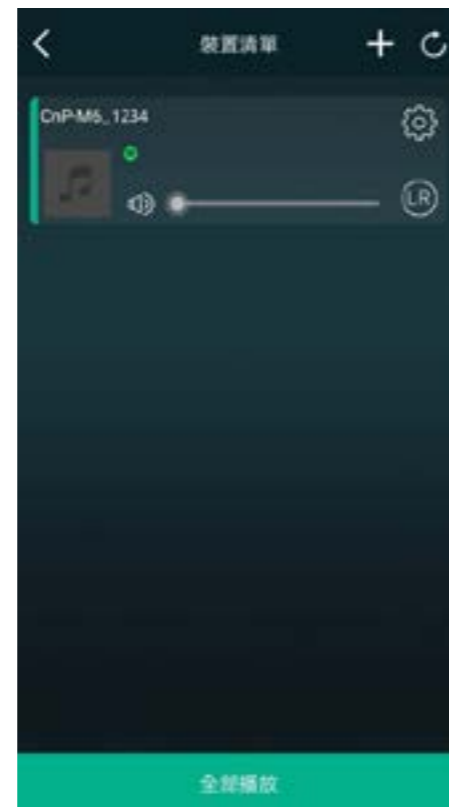


Android

- ⑪ M6 has been successfully connected to the Wi-Fi network.



iOS



Android

Attention: After you complete the steps above on the first mobile device, you simply need to connect the other mobile devices to the same Wi-Fi network and open the C&P Connect app: you will find M6 in the device list (pictured above). You can play the music remotely at any time without setting it up.

※ If connection is unsuccessful, or if the app screens are different from those pictured above, please return to the "Settings" menu of the mobile device and make sure that the latter is connected to the same Wi-Fi network.

C&P Connect playback instructions

Use of TuneIn, Spotify and other services for online streaming

- ① Tap "<" in the upper left corner of the device list to enter the playback interface.
- ② Tap "C&P" in the upper left corner of the playback interface to enter the list of available services.
- ③ Select "TuneIn" (online radio) or "Spotify" in the list of services.
- ④ Online streaming can now be performed and the music is not interrupted by dial-up calls.
Attention: Spotify requires an additional dedicated app and an account to be used.

Play music stored in your mobile device

- ① Tap "<" in the upper left corner of the device list to enter the playback interface.
- ② Tap "C&P" in the upper left corner of the playback interface to enter the list of available services.
- ③ Select the "My Music" service in the list of available services.
- ④ Select the name of your device.
- ⑤ Enter the list of music files in your device.
- ⑥ Tap on the track to play it.

Play music from your NAS or PC via DLNA

- ① Tap "<" in the upper left corner of the device list to enter the playback interface.
- ② Tap "C&P" in the upper left corner of the playback interface to enter the list of available services.
- ③ Select the "My Music" service in the list of available services.
- ④ Select "Family Music Sharing".
- ⑤ Select the location of the file you want to play.
- ⑥ Access the list of audio files on your NAS or computer.
- ⑦ Tap on the track to play it.

Mono and stereo switching

- ① Tap the LR icon to the right of the selected item.
- ② Switch between monoL (all left channel), R (all right channel) or stereoLR.

Synchronized playback

You can sync all the speakers operating within the same Wi-Fi network and let them play the music all together at the same time.

- ① Tap and hold any M6 system in the devices list until it turns grey.
- ② Drag it to another item, overlap it and release.
- ③ The screen will now show the sync mode (indicated by the hierarchy of the items).
- ④ From now, as long as you operate the highest-level item, you can control all the units under it.
Attention: To cancel the synchronized playback, tap and hold the item in the second level until it turns grey, then drag it to a blank spot and release it.

Using M6 as a Wi-Fi hotspot and setting a password

Since M6 is equipped with a hotspot function, after connecting it to the Wi-Fi network you can use it as a hotspot to connect mobile devices to the Internet. This hotspot feature is turned off by default to prevent others from taking up Wi-Fi bandwidth. To use this feature, use the C&P Connect app to turn on the hotspot function and set your own password.

- ① Tap the "Settings" gear icon to the right of the selected item.
- ② Select "Device Information".
- ③ Find "Personal Hotspots" below the hotspot status.
- ④ After activating the switch on the right, set the password.

Deleting the Wi-Fi connection settings and records

Should you need to change the Wi-Fi router after completing the connection between M6 and your Wi-Fi network, you can clear up the connection record in the C&P Connect. After doing so, repeat the connection procedure.

- ① Tap the "Settings" gear icon to the right of the selected item.
- ② Select "Device Information".
- ③ Swipe to the bottom and tap "Restore Factory Settings".
- ④ Select "Confirm".

Remote operation

All of the features above can be operated remotely from any mobile device at any time by connecting it to the same Wi-Fi network as M6.

Using AirPlay

Since M6 is equipped with a hotspot function, it can be connected directly to any mobile device. The C&P Connect app supports AirPlay, meaning you can use AirPlay's transmission function to enjoy the same level of transmission quality even in the absence of a Wi-Fi home network.

- ① Go to the settings of your mobile device > Wi-Fi.
- ② Select "CnP-M6_XXXX" in the list and connect to it.
- ③ When playing music, tap the AirPlay icon below the play button.
- ④ Select "CnP-M6_XXXX" as source.
- ⑤ The music will start broadcasting.

Attention: When connecting the mobile device directly to M6 through the hotspot functionality, the mobile device will not be able to access the Internet using 4G or other Wi-Fi services. Spotify's offline playback or the streaming of the music on your mobile will still be available.

Care and maintenance

Cleaning

- Be careful not to spill any liquid into any opening.
- Wipe the speaker cabinet with a soft, clean, and dry cloth.
- Wipe the speaker's soft grille with an electrostatic dusting cloth.
- Do not use any solvent, chemical product or detergent.

C&P Wireless Connection Feature Update

subwoofer and the Zone 2 Speakers are for updating the devices only: do not plug any cable or USB flash drive into it.

Customer service

If you run into any issue, please contact us.

Service website: www.celia-perah.com.

Service email: service@celia-perah.com

Service line: +88602-23461011

Service address: 5F., No. 31, Sec. 6, Xinyi Rd., Xinyi Dist., Taipei City 110, Taiwan (R.O.C.)

Warranty information

Products are guaranteed for one year. Visit our official website within two weeks from the purchase to extend the warranty for half a year.

Troubleshooting

If you are experiencing any of the following problems, please follow the suggested steps:

- ① Make sure that the Main Speakers, Zone 2 Speakers and the Subwoofer are connected to the power supply.
- ② Make sure that the RCA cables between the Main Speakers' left and right channel and the Zone 2 Speakers' left and right channel are connected.
- ③ Check the status indicator of the Zone 2 Speakers and the Subwoofer connection (see pages 6, 7).
- ④ Keep the system away from any possible source of interference (wireless routers, wireless phones, microwave ovens etc.).
- ⑤ Verify that the system is within the recommended range of your wireless router or mobile device.

If the above steps do not solve the problem, please refer to the common problems and solutions listed in the table below; if you still can't solve your problem, please contact us.

Problem	Solution
The system is not responding when operating the remote control.	<ul style="list-style-type: none"> • Press the Power button on the back of the Main Speaker to manually power on the system. • Press any button on the remote control to check whether the LED display on the front of the Main Speaker is working properly. • Make sure that the battery insulation slip is removed and that the battery does not need to be replaced. • Unplug the power from the Main Speaker and plug it back in after 30 seconds. • Make sure that the Main Speaker's control panel is not connected to a USB cable which, in turn, is not connected to the PC. Please connect the PC or unplug the cable from the control panel.
No sound is reproduced	<ul style="list-style-type: none"> • Increase the volume. • Press the Mute button to make sure that the system is not muted. • Make sure that the correct source is selected. • Switch between different audio sources. • Make sure that the connection with the audio source is correct. • Check the volume of the audio source.
No sound reproduced by Zone 2 Speakers/ Subwoofer	<ul style="list-style-type: none"> • Make sure that the volume of the Zone 2 Speakers/Subwoofer is not turned off. • Make sure that the C&P wireless connection is set up correctly. (See page 13)
Bass is too strong or too weak	<ul style="list-style-type: none"> • Use the LOW button in the EQ area of the remote control and the ▲, ▼ buttons in the VOL area to adjust the bass. • Use the SUB button on the remote control and the ▲, ▼ buttons in the VOL area to adjust the volume of the subwoofer. • Keep the subwoofer at least 30 cm from the wall.

Problem	Solution
Bluetooth connection fails	<ul style="list-style-type: none"> • Press the Pairing button on the remote control to re-enter pairing mode. • Make sure that the connected device is within 10 m from the system. • Re-enable the Bluetooth function of the device. • Clear up the Bluetooth pairing record on the device.
Wi-Fi connection fails	<ul style="list-style-type: none"> • Make sure that the Wi-Fi function of the device is turned on. • Access the device's Wi-Fi devices list and check if it is connected to the same Wi-Fi network as M6.
A sudden sound is reproduced	<ul style="list-style-type: none"> • Make sure that no device is streaming thorough Wi-Fi.
Soundstage isn't reproduces properly.	<ul style="list-style-type: none"> • Make sure that the left and right channels of the Zone 2 Speakers are set correctly.
TV is still reproducing the sound	<ul style="list-style-type: none"> • Turn off the TV's built-in speakers through the TV's settings menu.
No image on the TV, but sound is being reproduced	<ul style="list-style-type: none"> • Make sure that the input signal on the TV is selected correctly.
No sound coming from the connected device	<ul style="list-style-type: none"> • Turn the device on. • Switch between different audio sources. • Please refer to the device's user manual.

Important Safety Instructions

Do not disassemble the unit by yourself to avoid electric shock: users do not need to operate internal components. For maintenance, please contact qualified personnel.

1. Please read this safety guide carefully.
2. Please store this safety guide carefully.
3. Please pay attention to all warnings.
4. Please follow all instructions.
5. Do not use this product nearby water sources.
6. Please use a dry cloth to clean the product.
7. Do not block any vent. Please follow the manufacturer's instructions for carrying on the installation.
8. Do not place the product nearby heat sources such as: heating system, electric heaters, radiators, or other equipment that may generate heat (including amplifiers).
9. Do not expose this product to extreme temperature conditions.
10. Do not place this product in direct sunlight. Long-term exposure may cause malfunctions.
11. Please use the original adapter provided. Other adapters may look similar, but they may cause electric shock or damage the product due to different voltage output.
12. Do not alter the polarized or grounded plug: they are designed for safety. The polarized plug has a wide and a narrow flat pin; The grounded plug has two flat pins and one round ground pin. Wide flat pins or round ground pins are designed for safety. If the supplied plug is not suitable for your power outlet, contact a professional electrician to replace it.
13. Avoid placing the power cord in a location where people are frequently transiting, and do not pull the plug, socket, or speaker outlets.
14. Make sure to use the accessories or parts specified by the manufacturer only.
15. Be sure to use the trolley, stand, tripod, bracket, or machine specified by the manufacturer or that came with the product. If you use a trolley to carry the product, prevent the upper items from falling down, so as not to cause personal injury.
16. Unplug the power cord during lightning storms or when not operating the product for a long period of time.
17. Make sure to connect a power supply within the specified voltage range.
18. REMOVE
19. Do not expose the product to liquid dripping or spilling. Do not place water-filled appliances such as vases on top of the product.
20. When moving the product, please hold it from the bottom.
21. Make sure that the surface where the product is placed is strong enough to support its weight.
22. For all repairs, please contact our professional service personnel. If the product has any damage, it should be repaired. Damages may include: damage to the power cord or power plug, liquid or foreign matter leaking into the device, exposure to rain or moisture, abnormal operation, falling.
23. The speaker driver unit can generate electromagnetic fields. Do not place any object that may be damaged by magnetic fields within 0.5 m from the device, such as: audio tapes, video tapes, credit cards and magnetic stripe cards.

15.21

Federal Communications Commission (FCC) Statement

The users manual or instruction manual for an intentional or unintentional radiator shall caution the user that changes or modifications not expressly approved by the part responsible for compliance could void the user's authority to operate the equipment.

You are cautioned that changes or modifications not expressly approved by the part responsible for compliance could void the user's authority to operate the equipment.

15.105(b)

Federal Communications Commission (FCC) Statement

This equipment has been tested and found to comply with the limits for a Class B digital device, pursuant to part 15 of the FCC rules. These limits are designed to provide reasonable protection against harmful interference in a residential installation. This equipment generates, uses and can radiate radio frequency energy and, if not installed and used in accordance with the instructions, may cause harmful interference to radio communications. However, there is no guarantee that interference will not occur in a particular installation. If this equipment does cause harmful interference to radio or television reception, which can be determined by turning the equipment off and on, the user is encouraged to try to correct the interference by one or more of the following measures:

- Reorient or relocate the receiving antenna.
- Increase the separation between the equipment and receiver.
- Connect the equipment into an outlet on a circuit different from that to which the receiver is connected.
- Consult the dealer or an experienced radio/TV technician for help.

This device complies with Part 15 of the FCC Rules. Operation is subject to the following two conditions:

- 1) this device may not cause harmful interference, and
- 2) this device must accept any interference received, including interference that may cause undesired operation of the device.

FCC RF Radiation Exposure Statement:

This equipment complies with FCC radiation exposure limits set forth for an uncontrolled environment. End users must follow the specific operating instructions for satisfying RF exposure compliance. This transmitter must not be co-located or operating in conjunction with any other antenna or transmitter.

This equipment should be installed and operated with a minimum distance of 20 centimeters between the radiator and your body.



CELIA & PERAH

M6 The Dramatic Moment