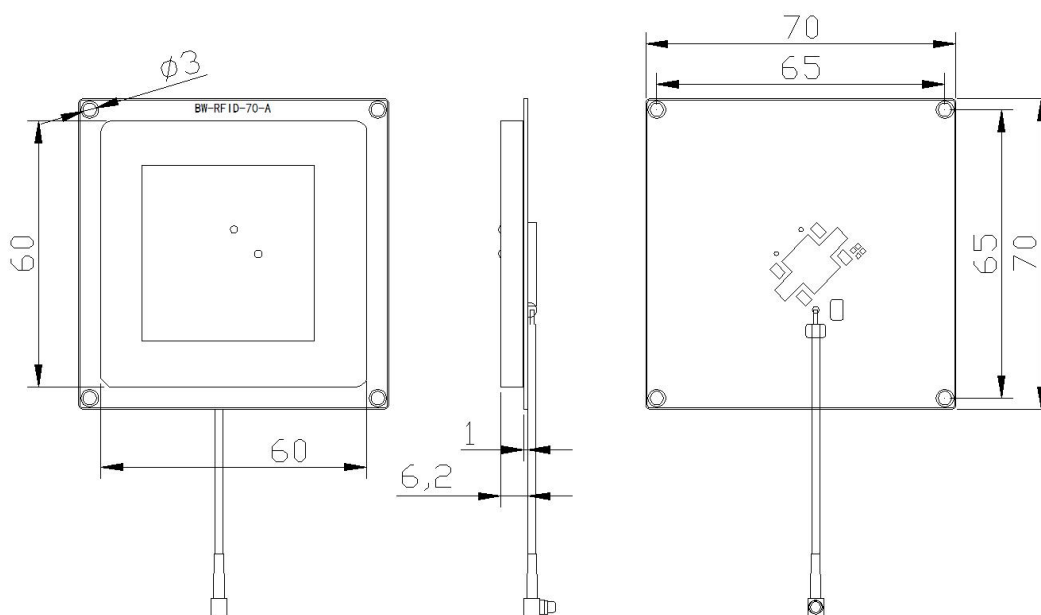


# ANT Specification

Part Name	CUAC3C
ANT TYP	Circular Polarization
ANT material	Fr4 and ceramic
Operating frequency band	UHF FCC
Operating frequency (MHz)	902-928Mhz/920-925MHz/865-868MHz
Manufacture	Sheen BroadRadio RFID Technology Co, LTD



# 1 ANT test equipment

## 1.1 Microwave chamber diagram

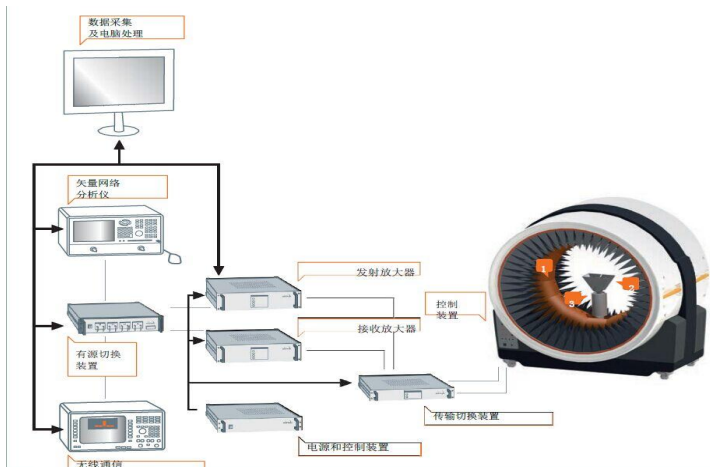


Figure 1 Wiring diagram of assembly test for microwave chamber system

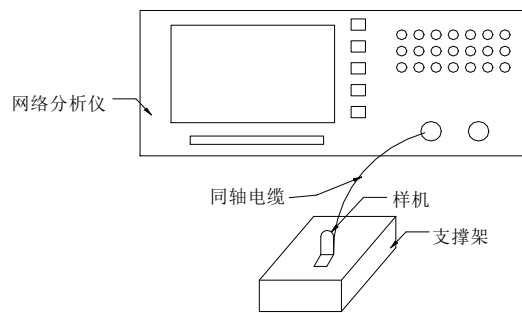


Figure 2 ANT static test connection method

## 2 Specifications

Antenna (天线)		
1	Antenna model(天线规格)	(70mm*70mm*6.2mm)
2	Frequency Range(频率范围)	902-928Mhz/920-925MHz/865-868MHz
3	V.S.W.R (驻波比)	1.3 MAX
4	Band With@10dB(10dB 带宽)	8 MHz MIN
5	Gain(增益)	3dBi typ @70mm*70mm groundplane
6	Impedence (阻抗)	50 Ω
7	Polarization (极化方式)	RHCP
8	Working Temp (工作温度)	-40℃~+85℃, 10%~95% RH
9	Storage Temp (贮存温度)	-55℃~+100℃, 10%~95% RH

10	Vibration (震动)	Sine sweep @1.5mmAM 10~55Hz each Axis
----	----------------	--

### 3 Radiation

