

antenna connector (J10)

10 dB pad

REV_PWR_DET 1

RX_BALUN_IN 5

TX_BALUN 5

LO_IN 5

RF_FWD_DET 1

MMCX EDGE MT

JP1 UFL-R-SMT10

U14 XC0900P-10S

U15 LFCN_1000D+

U13 RF5110G

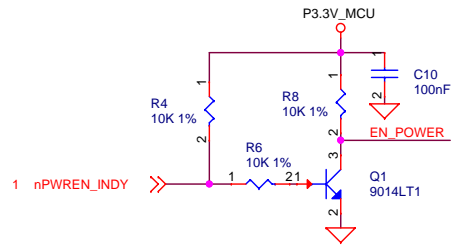
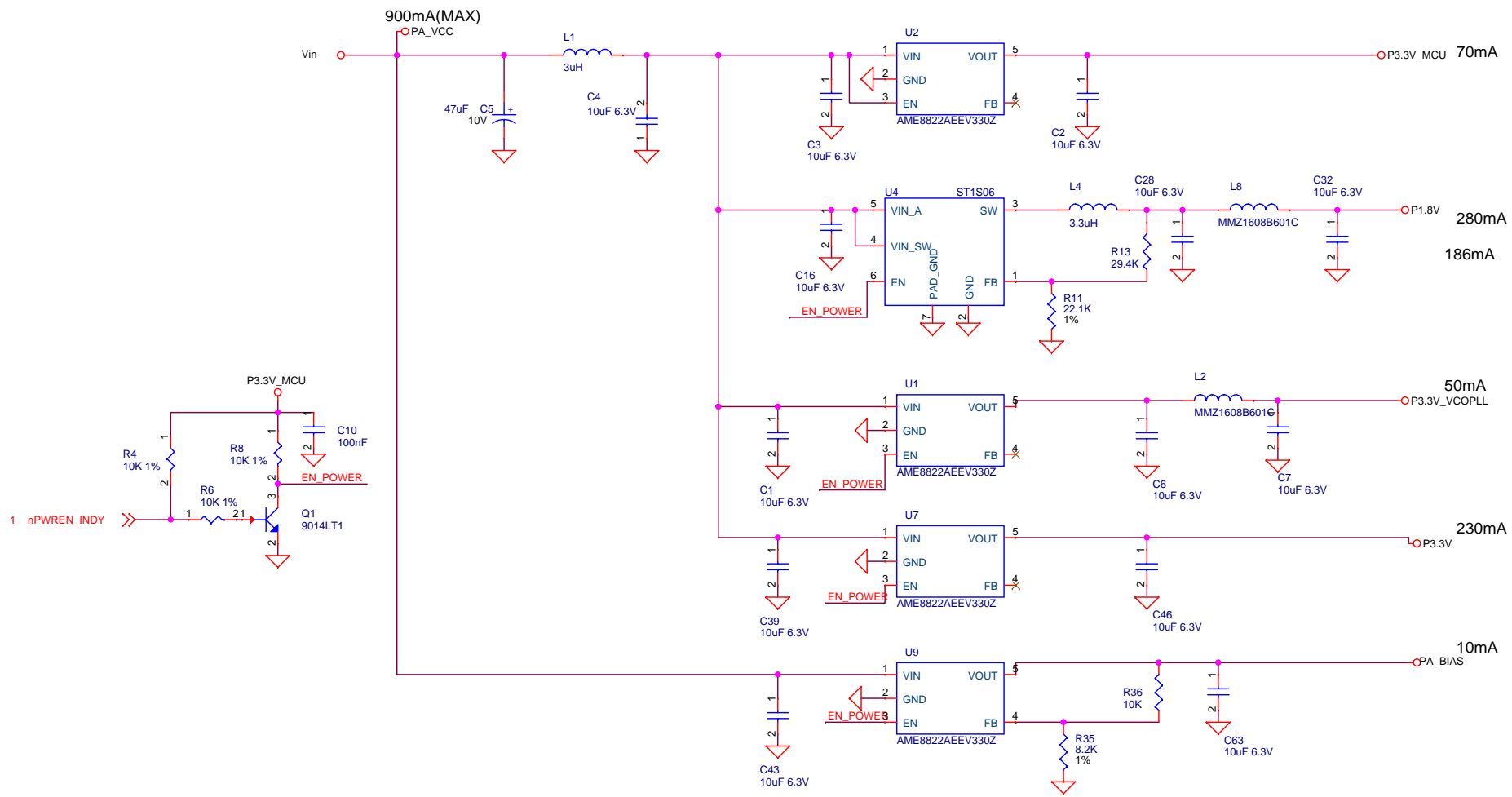
PA_VCC1

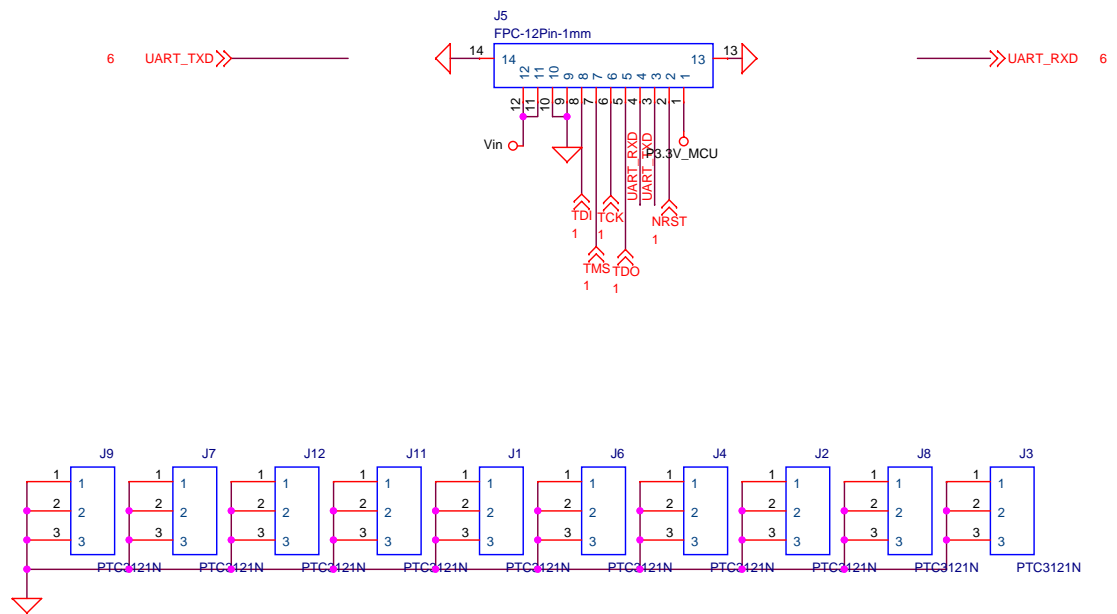
PA_VCC1

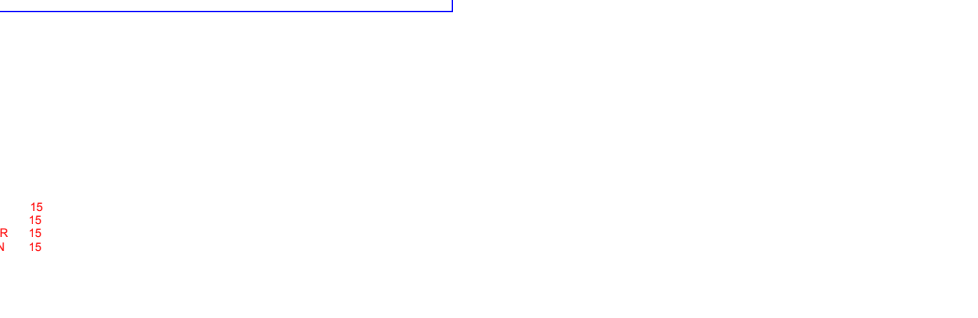
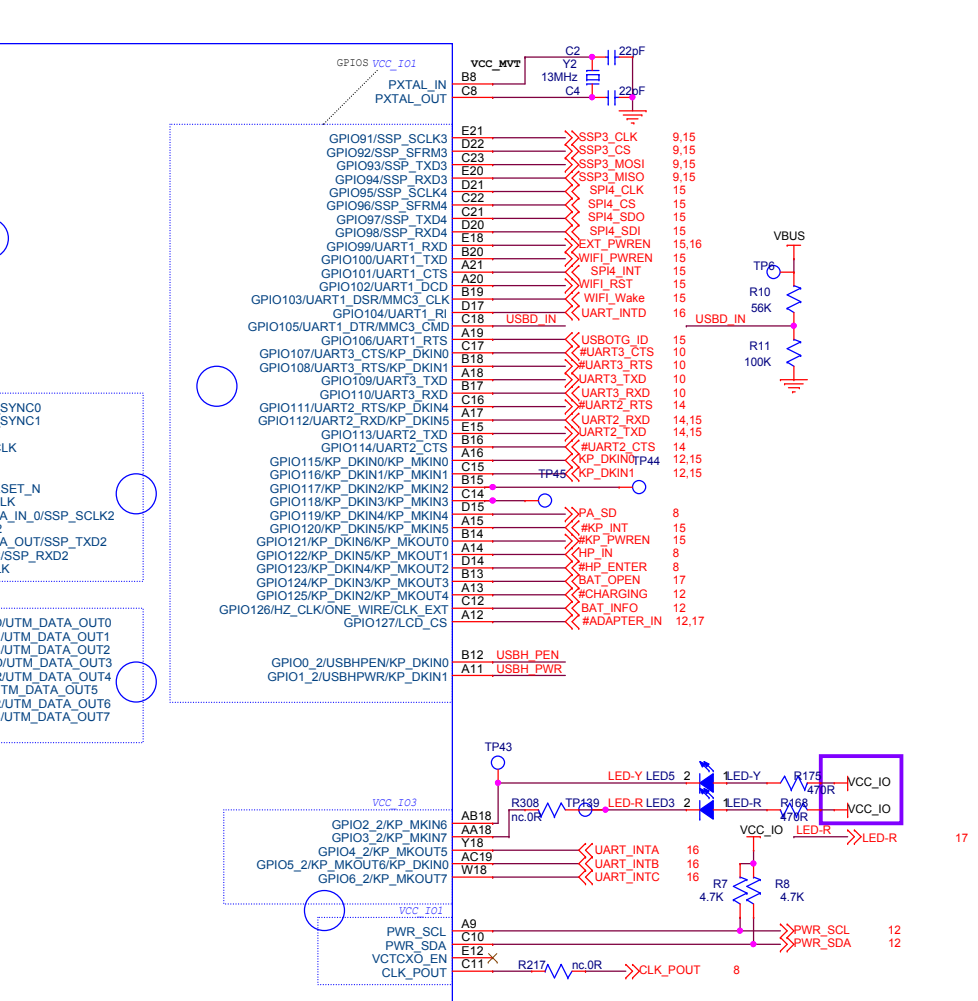
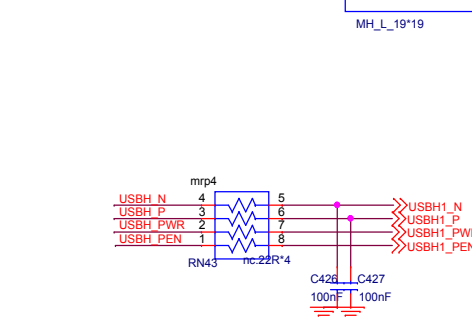
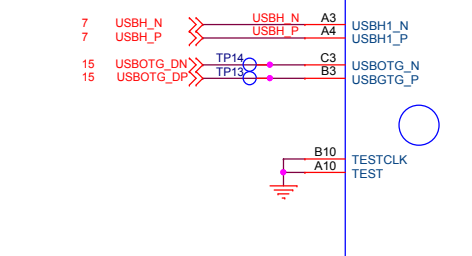
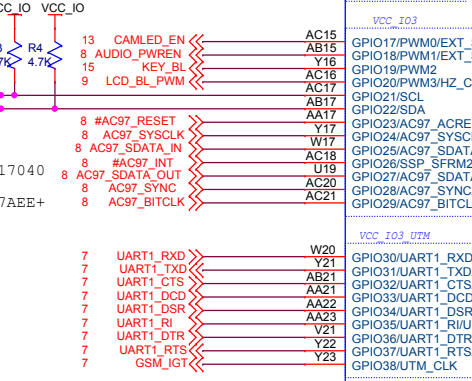
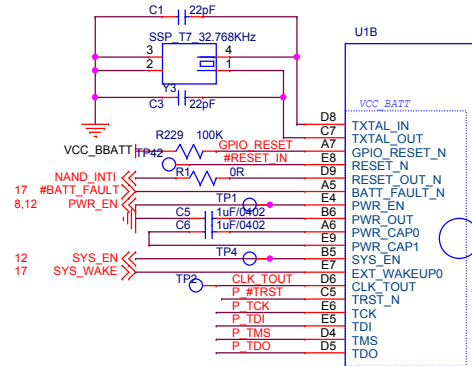
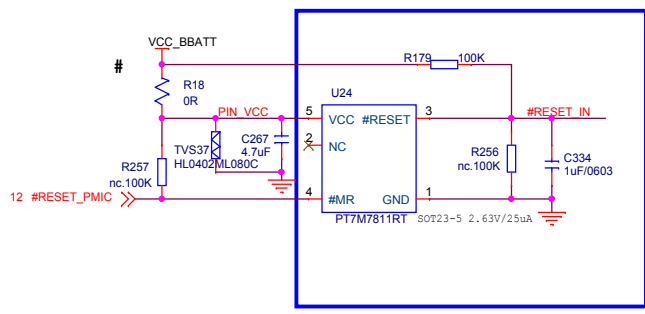
PA_BIAS

P3.3V

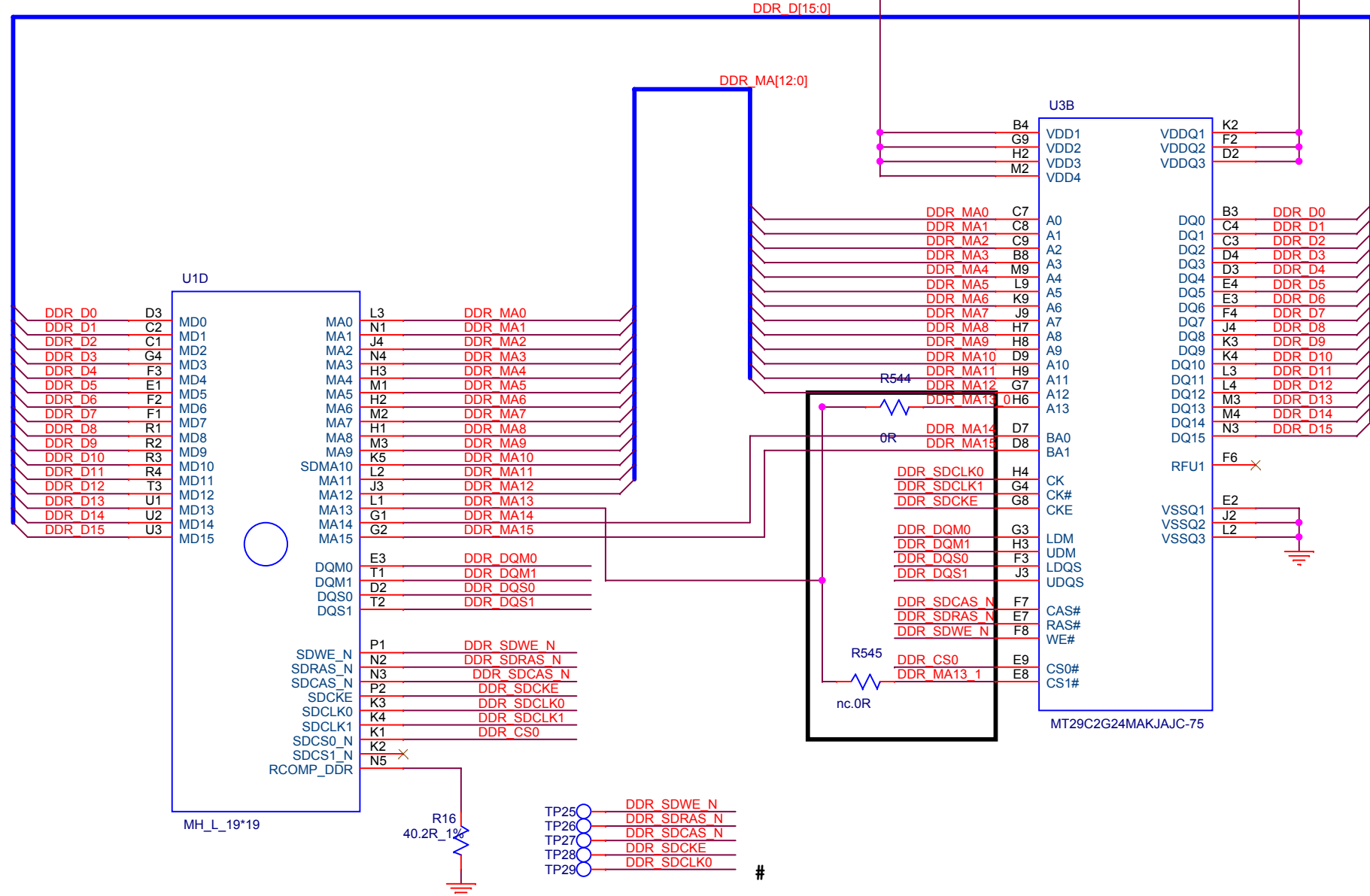
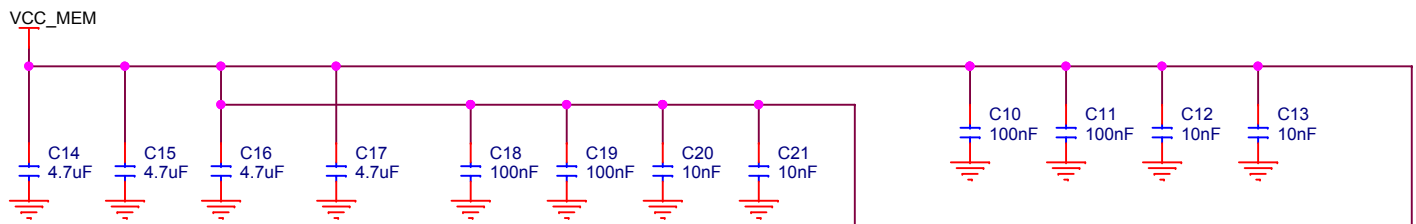
P3.3V



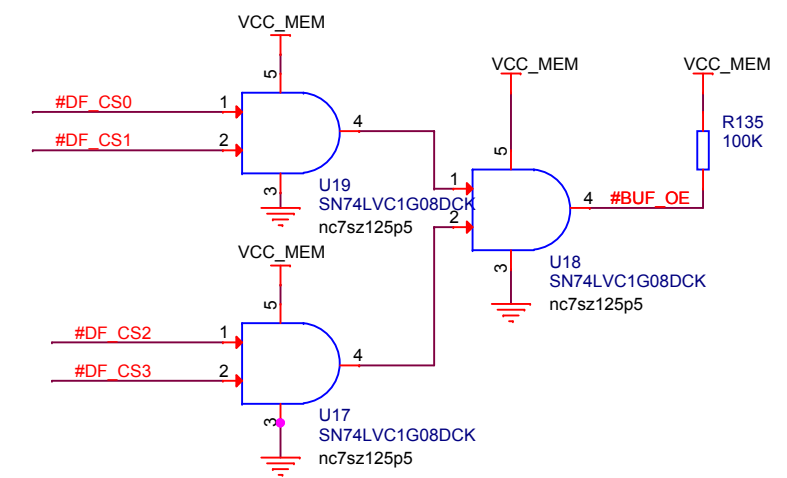
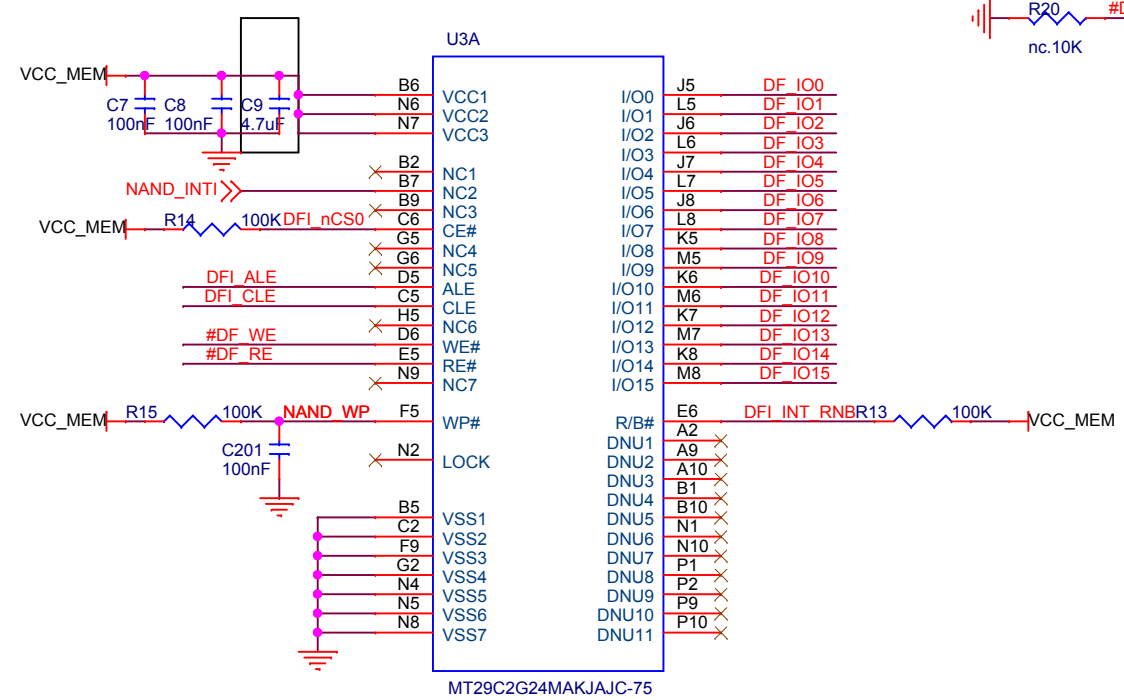
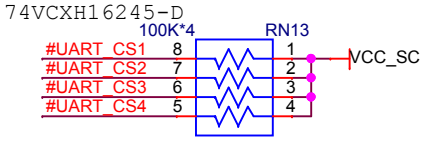
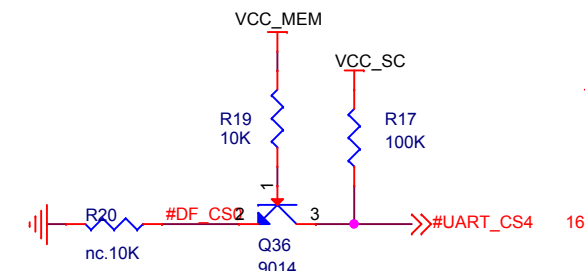
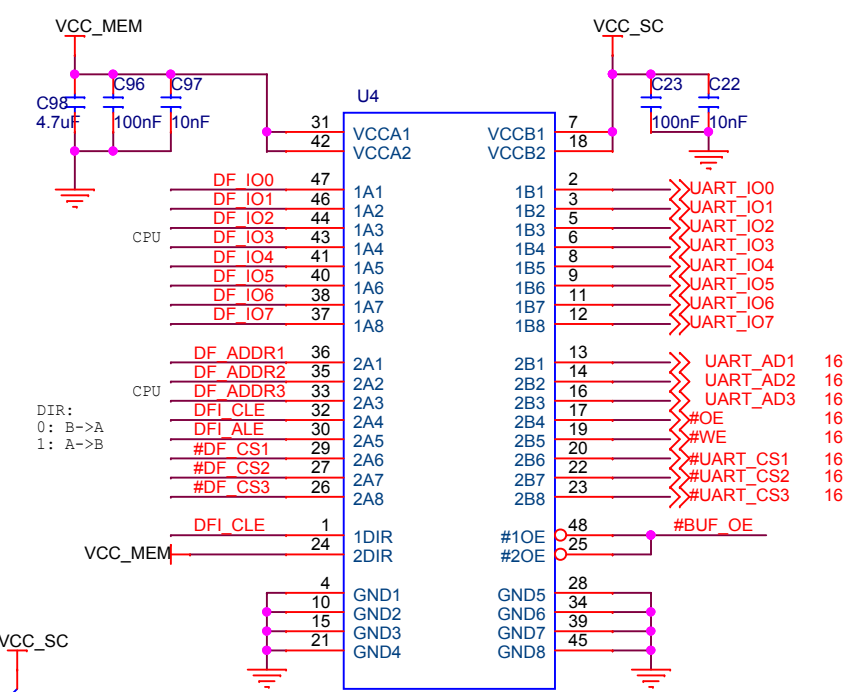
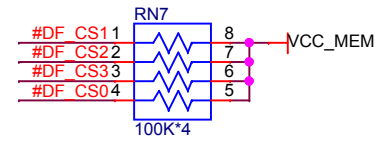
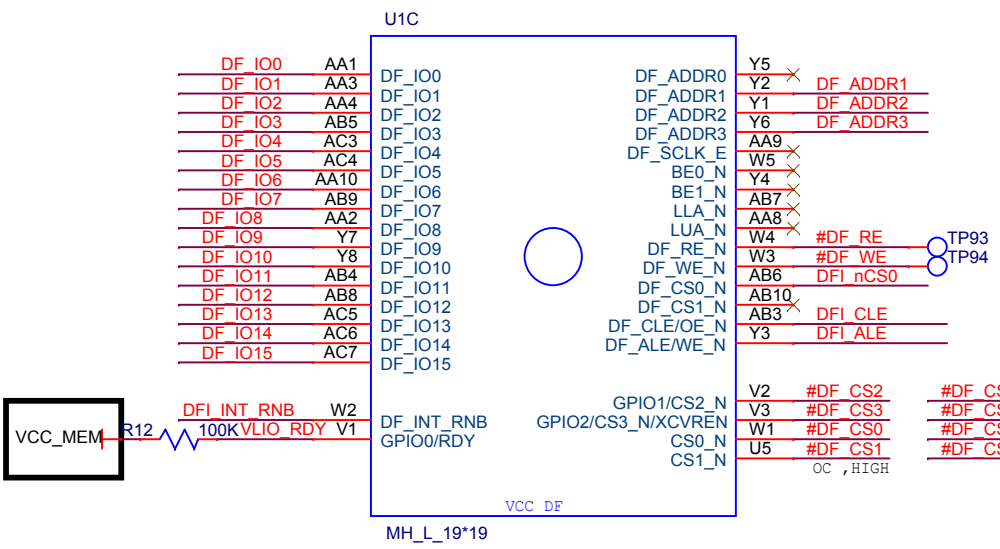




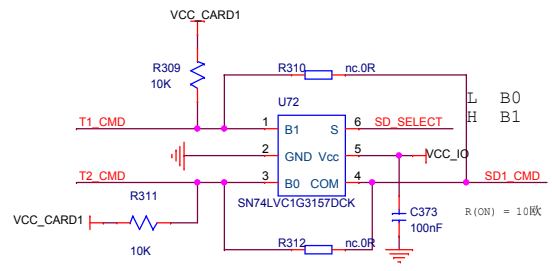
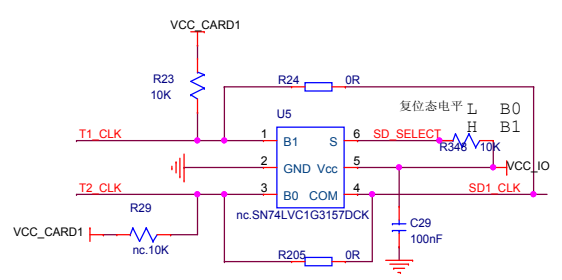
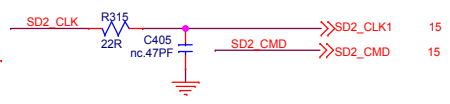
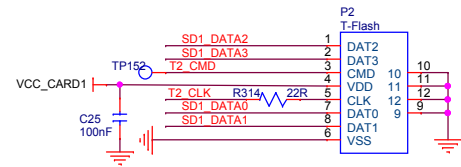
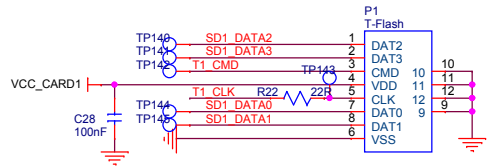
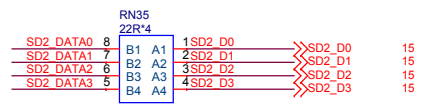
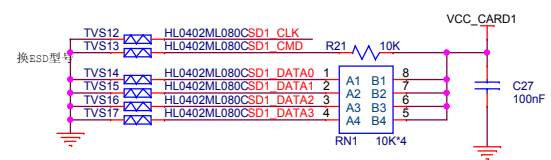
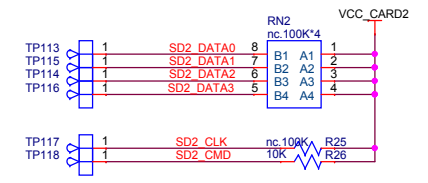
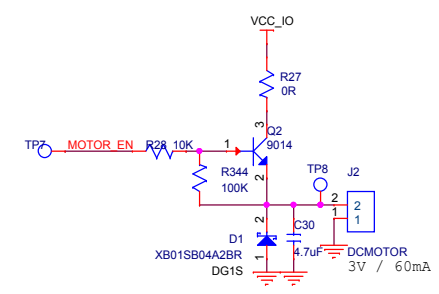
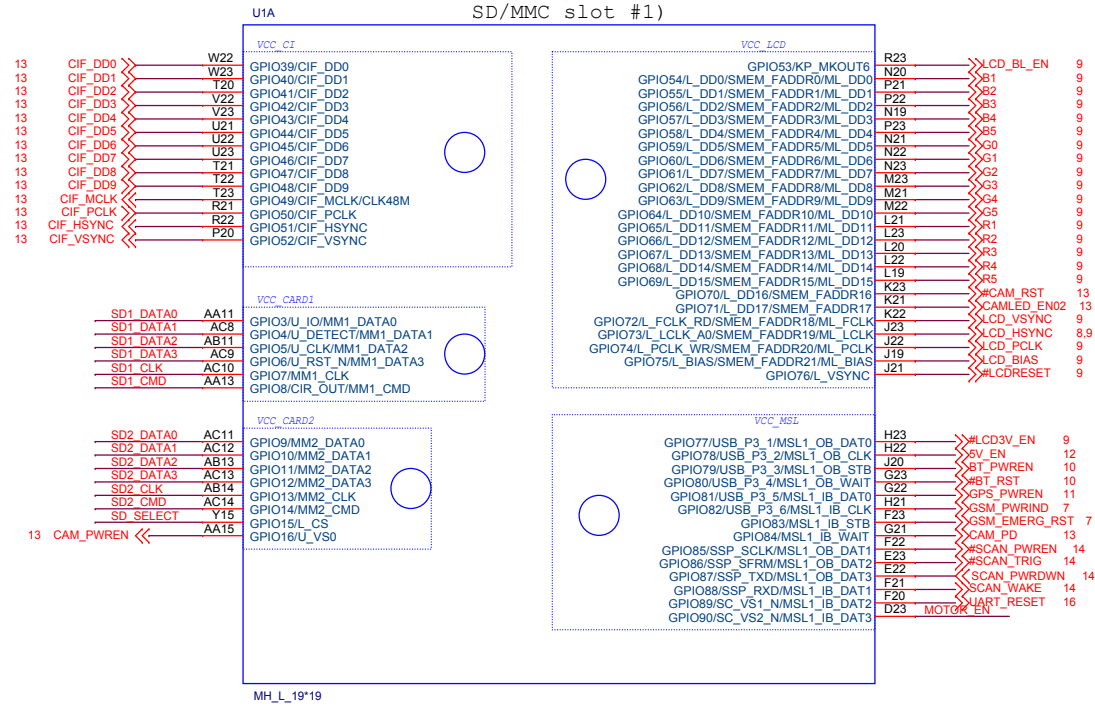
MH_L_19'19

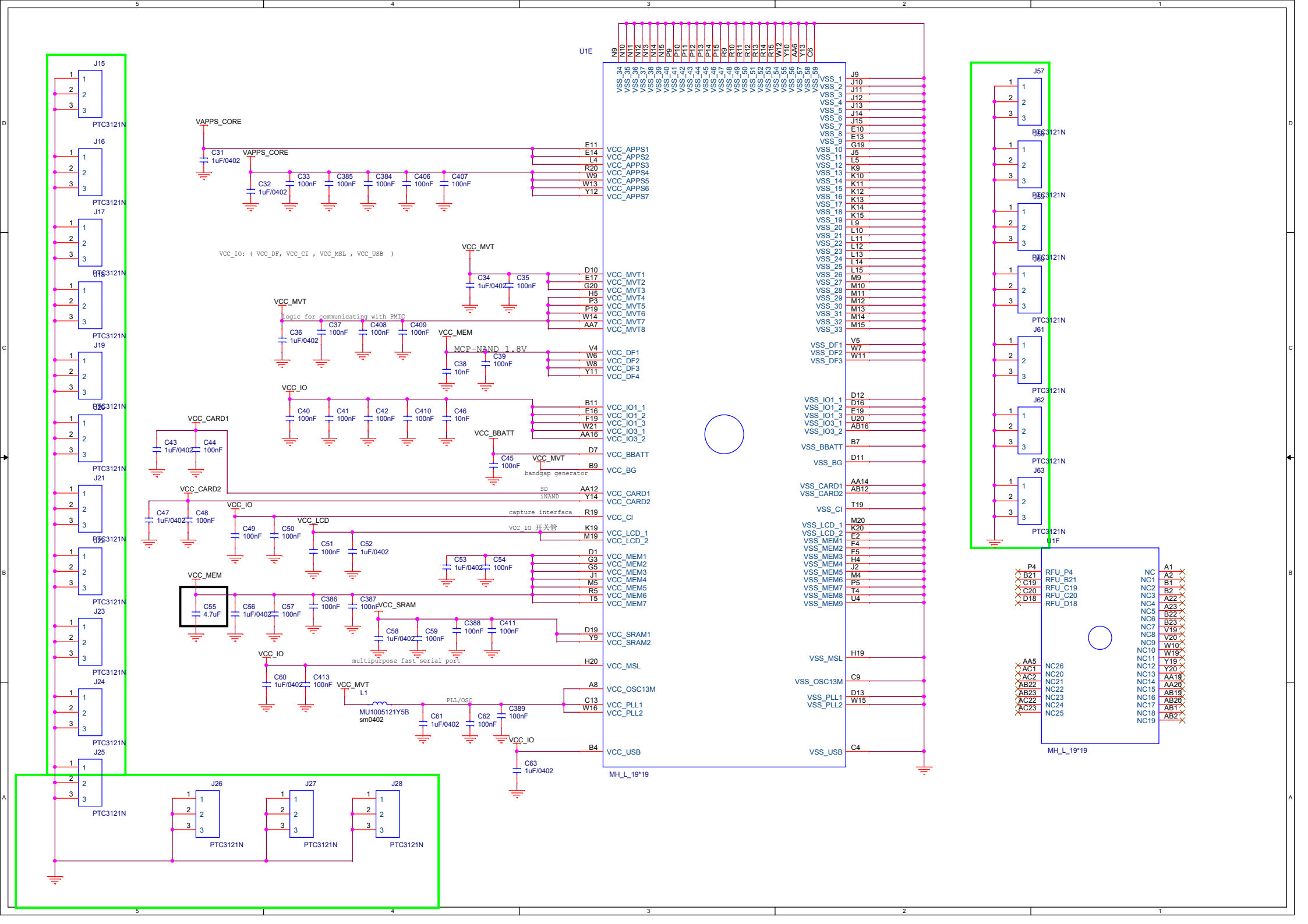


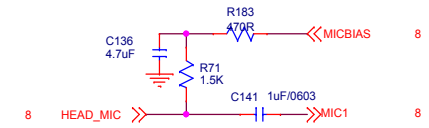
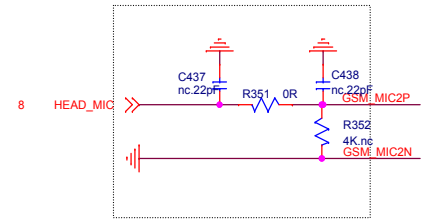
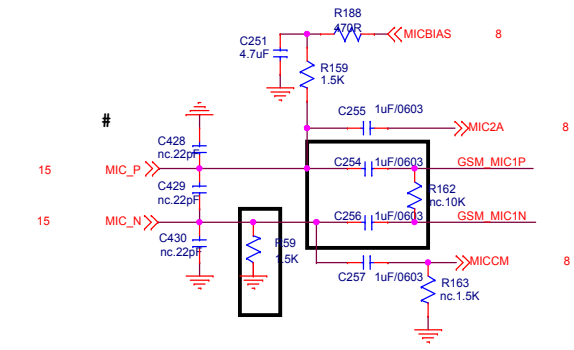
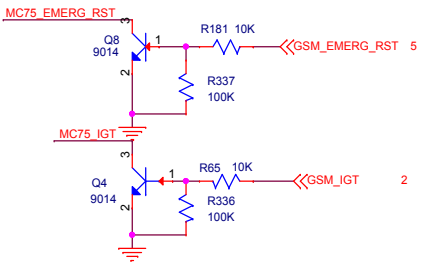
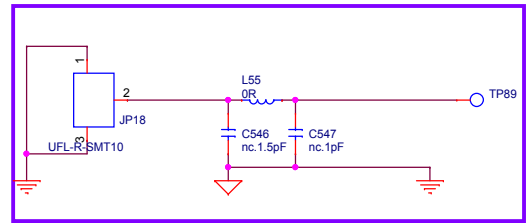
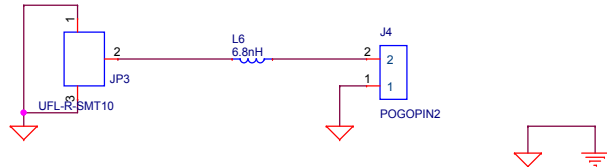
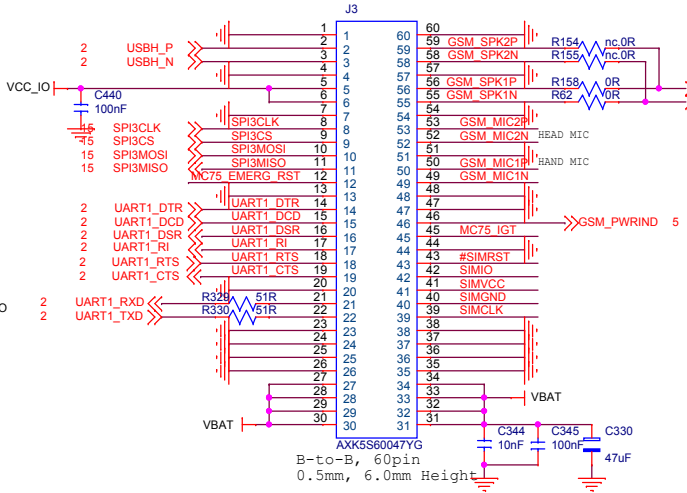
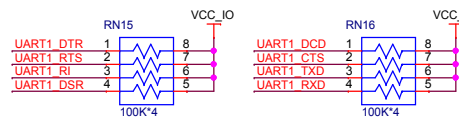
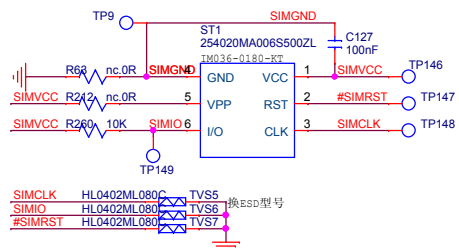
- TP25 ○ DDR_SDWE_N
 - TP26 ○ DDR_SDRAS_N
 - TP27 ○ DDR_SDCAS_N
 - TP28 ○ DDR_SDCKE
 - TP29 ○ DDR_SDCLK0
- #

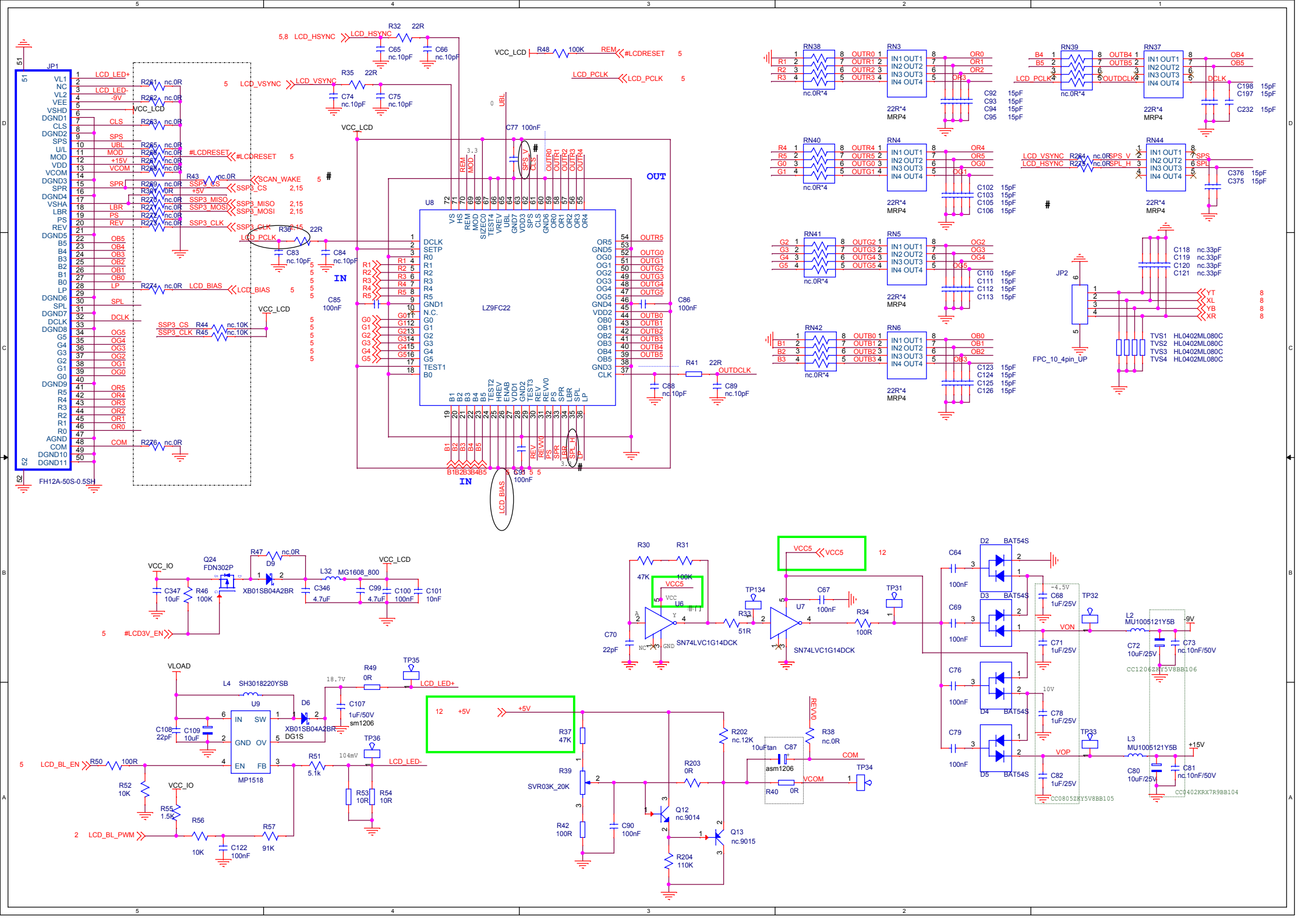


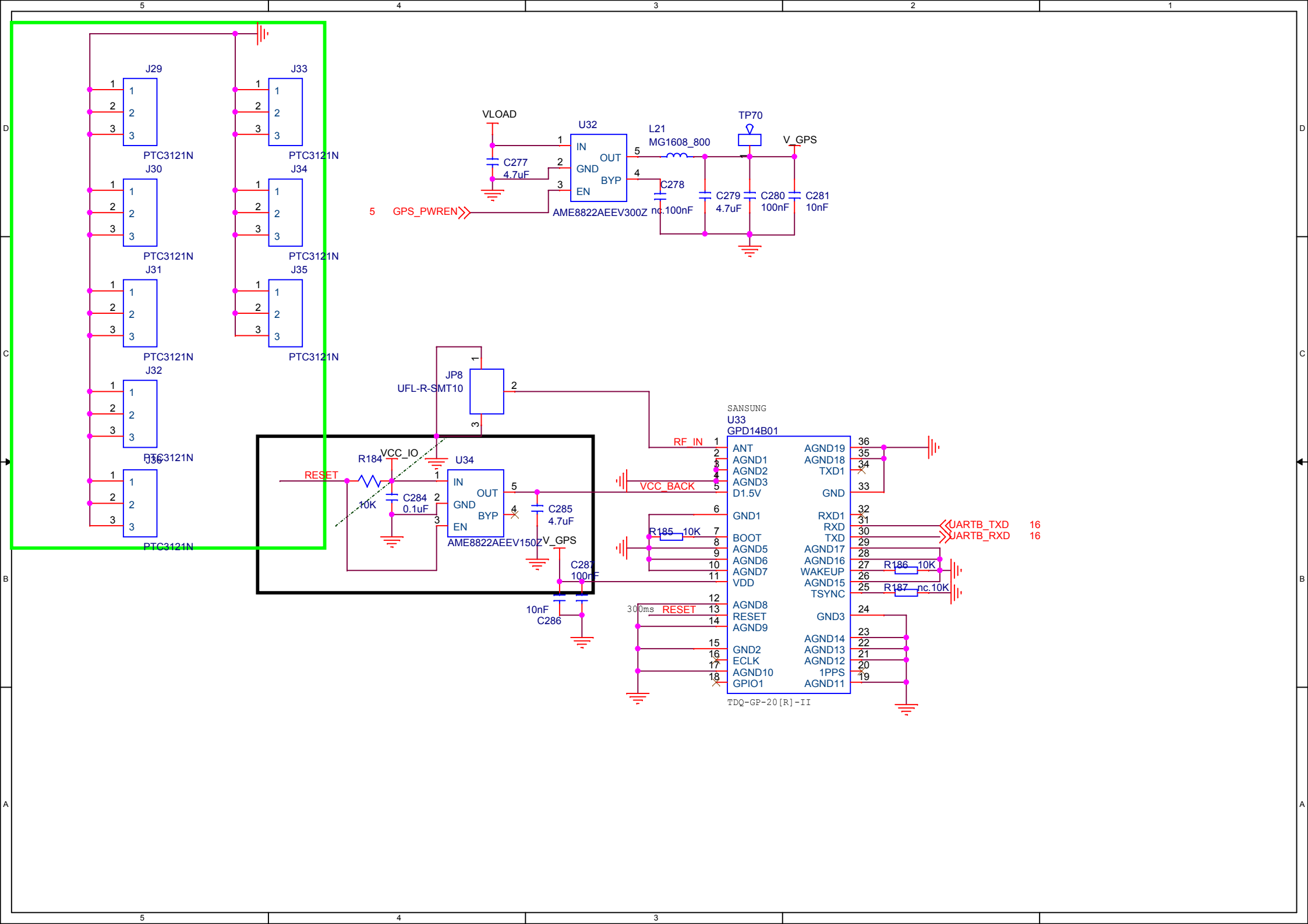
SanDisk iNAND
(share pins with
SD/MMC slot #1)

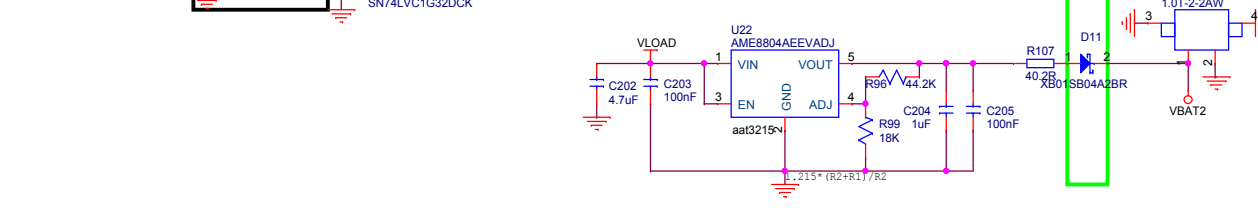
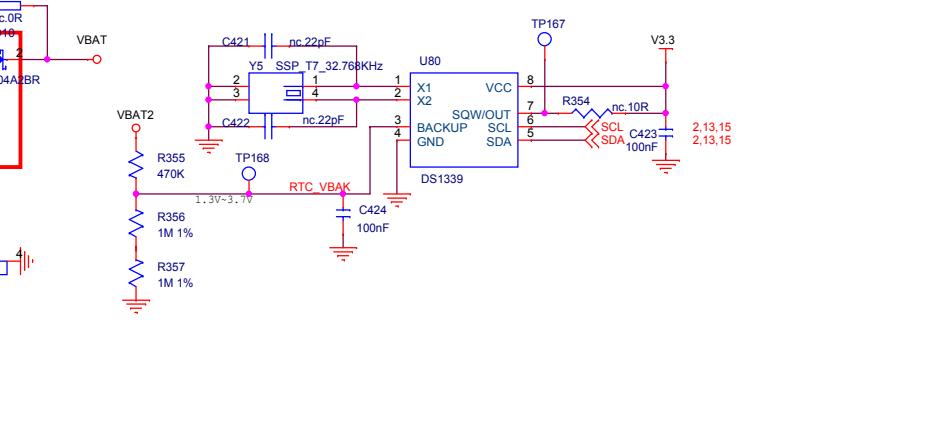
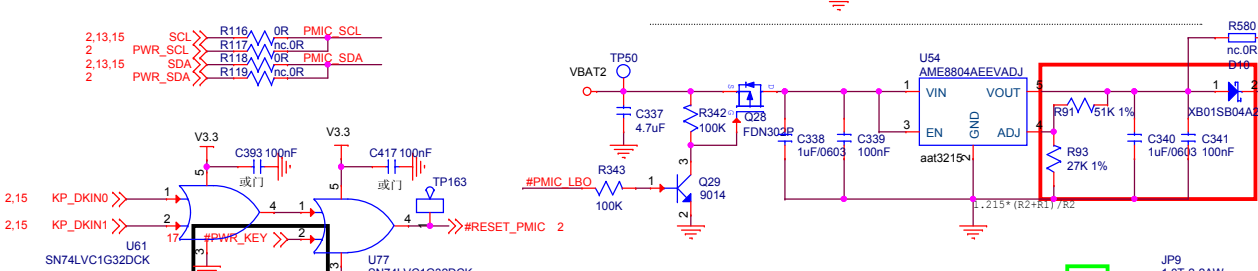
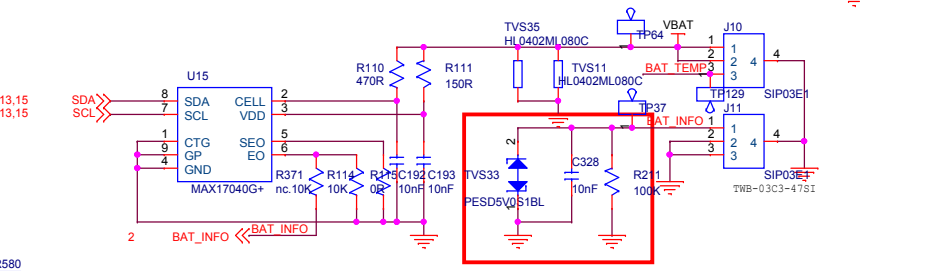
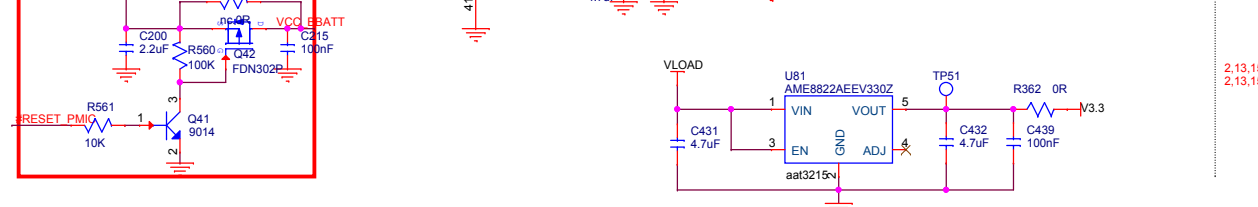
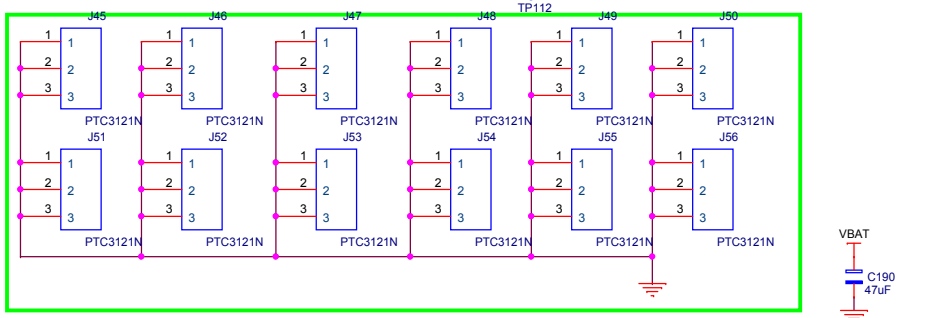
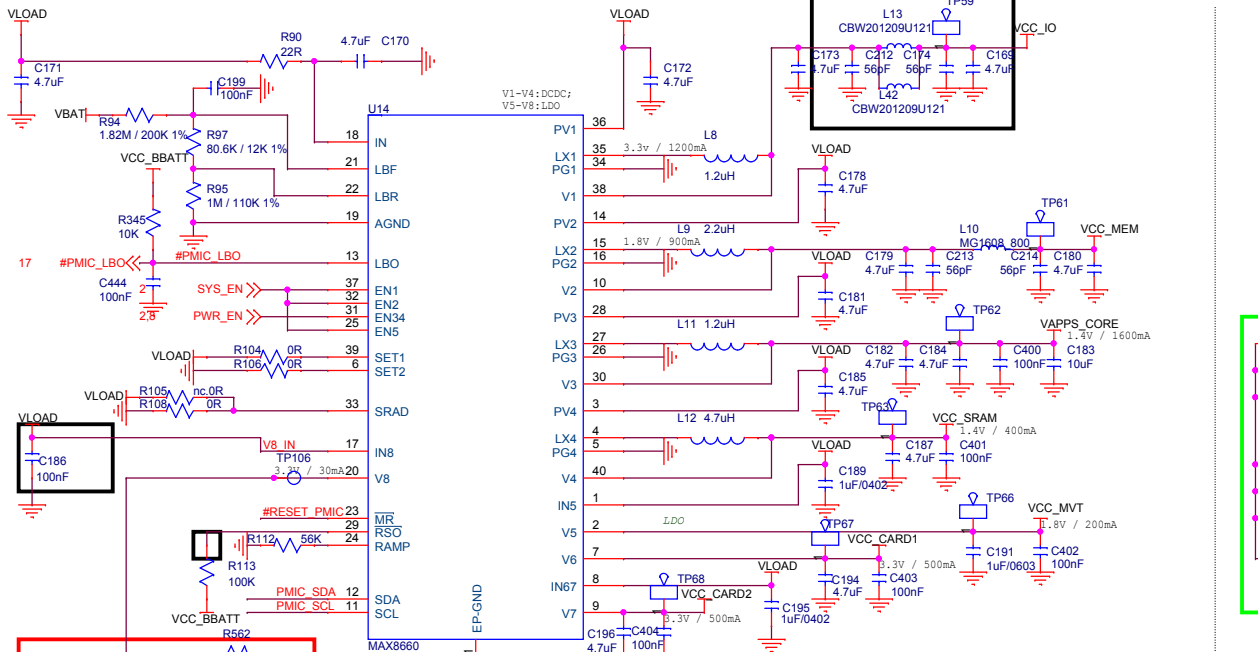
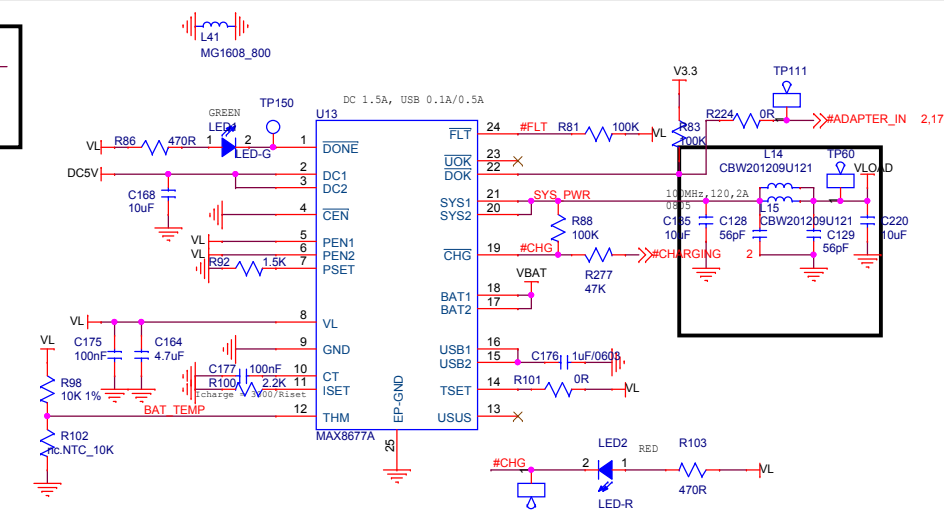
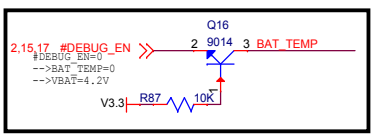
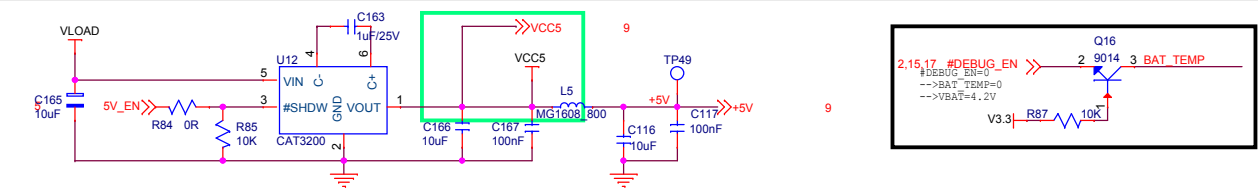




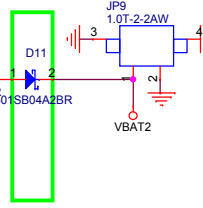


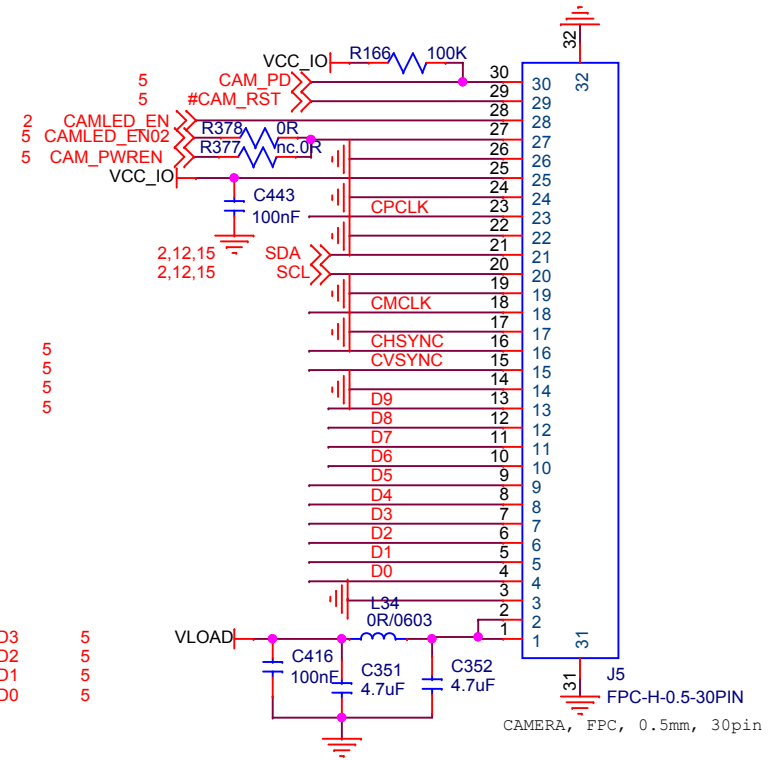
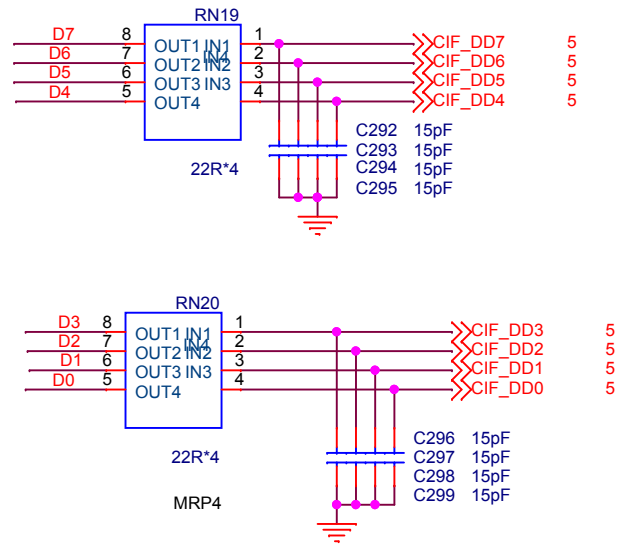
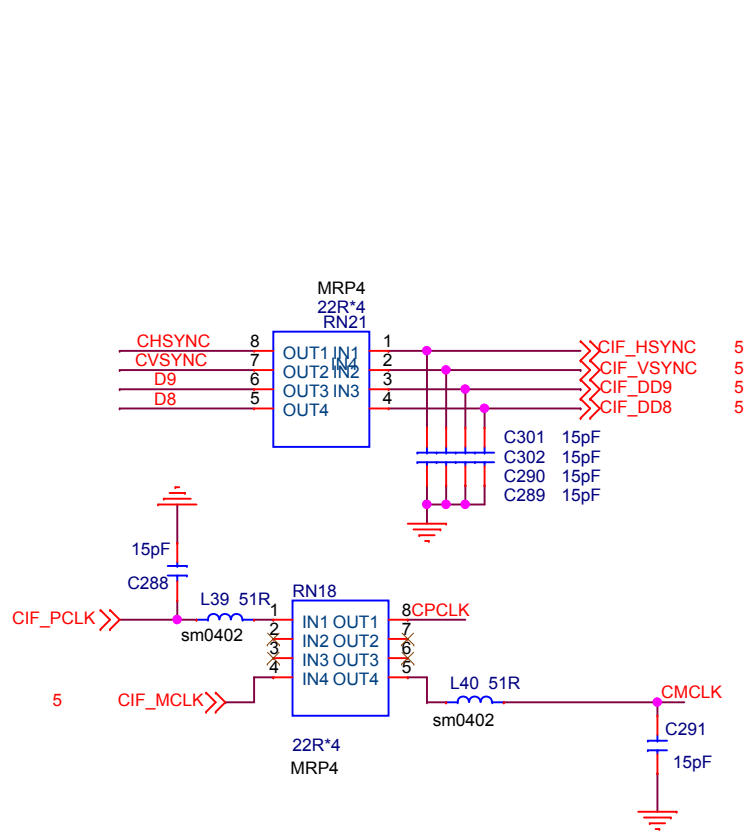


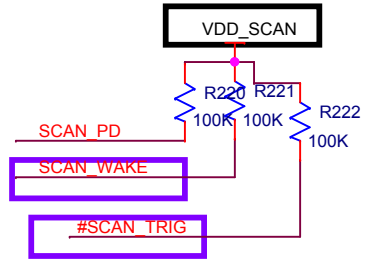
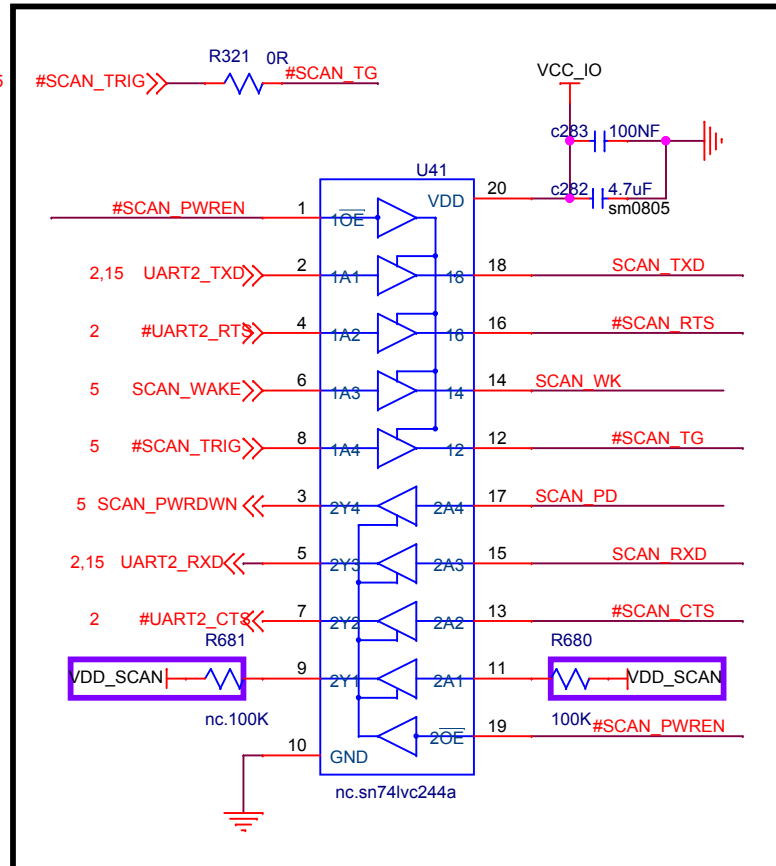
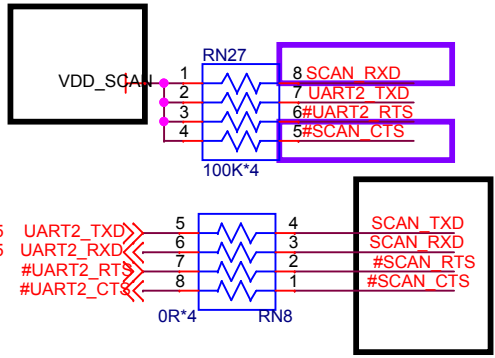
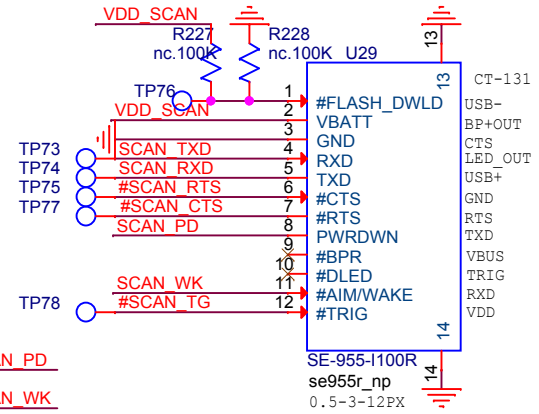
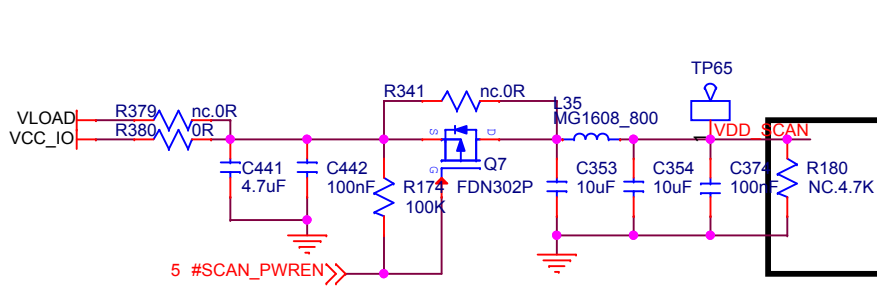




- 2,13,15 SCL R116 0R PMIC_SCL
- 2 PWR_SCL R117 nc.0R
- 2,13,15 SDA R118 0R PMIC_SDA
- 2,13,15 PWR_SDA R119 nc.0R







D

C

B

A

