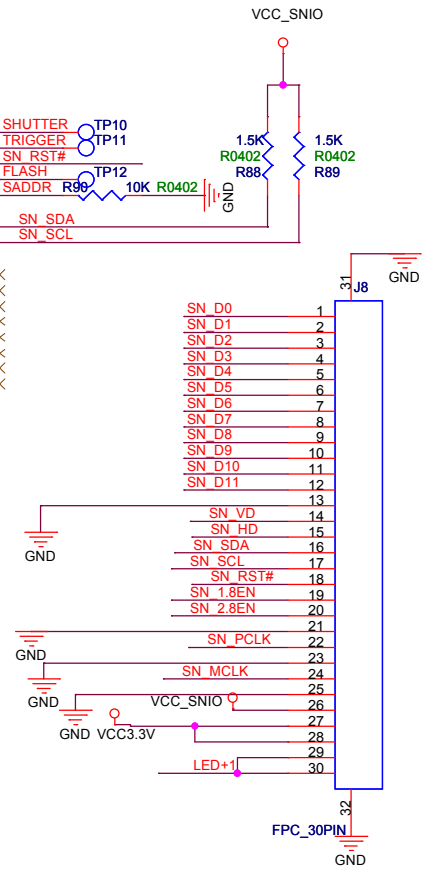
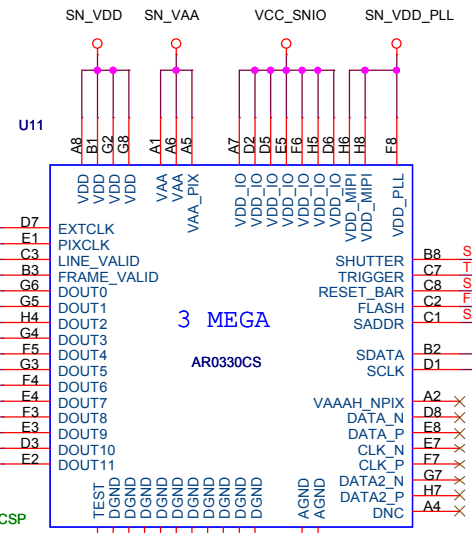
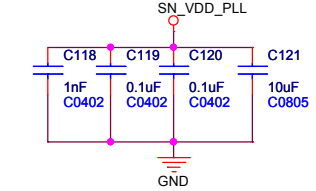
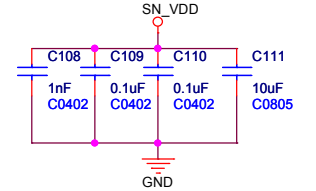


簡壓2.8V I/Oち传

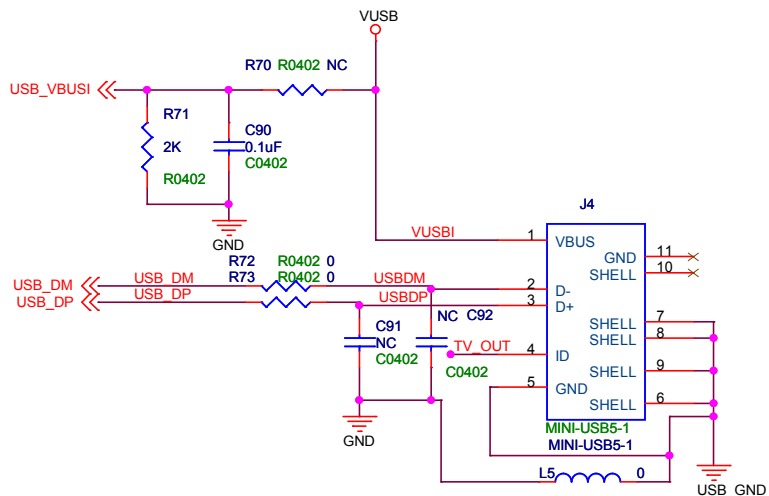
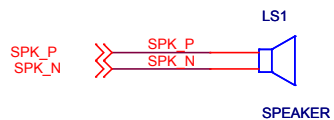
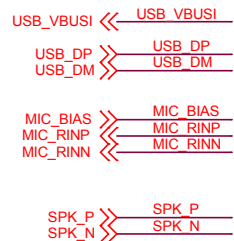


NOVATEK MICROELECTRONICS CORP.
 2F, No. 13, Innovation Road 1, Science-based Industrial Park, Hsichu 300, Taiwan

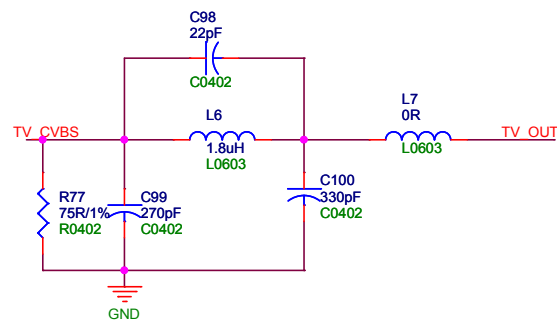
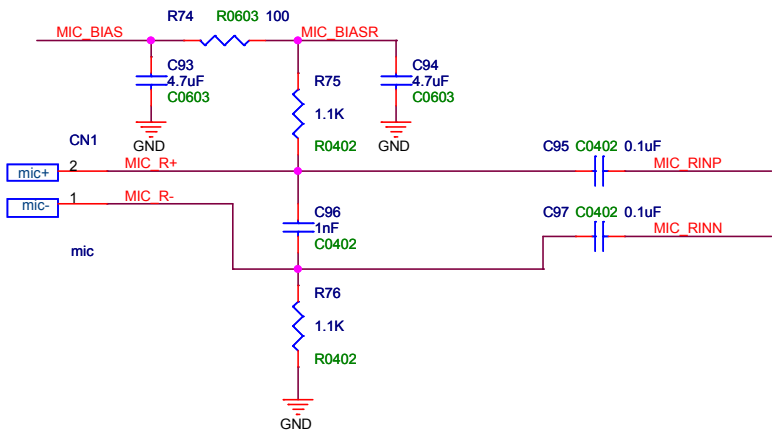
Title: **DSC NT96650 series**

Size: Document Number
 Custom: **SENSOR AR0330** Rev: A

Date: Friday, July 03, 2015 Sheet 9 of 11

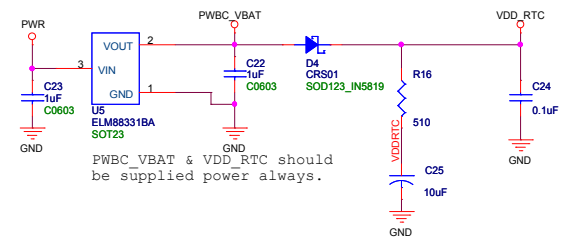
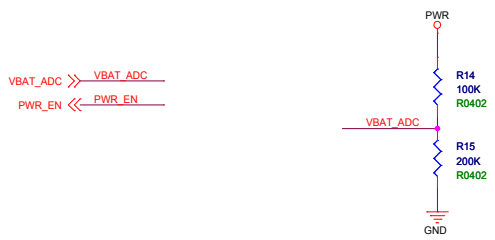
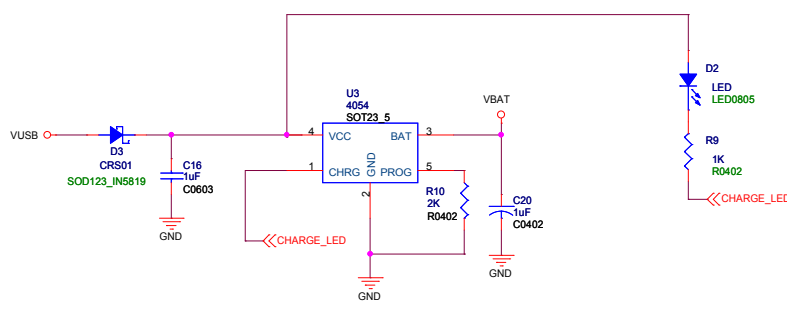
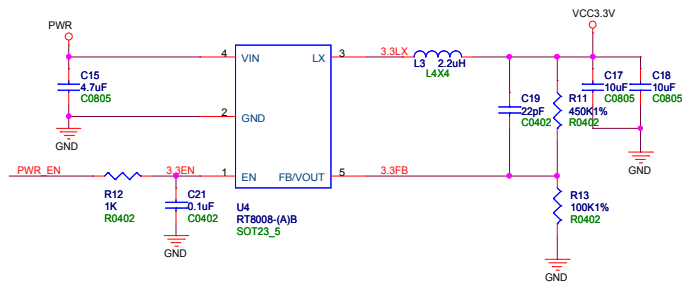
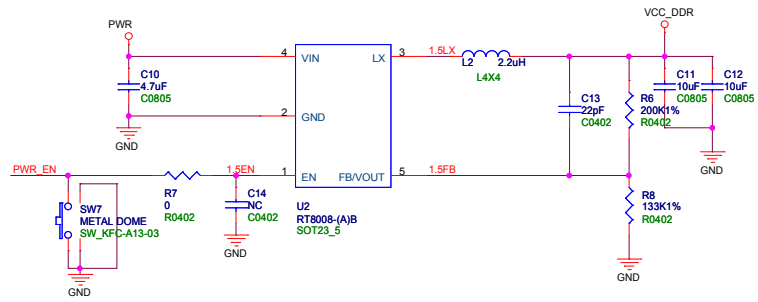
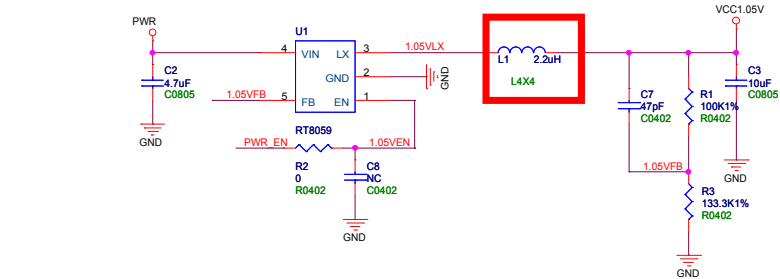
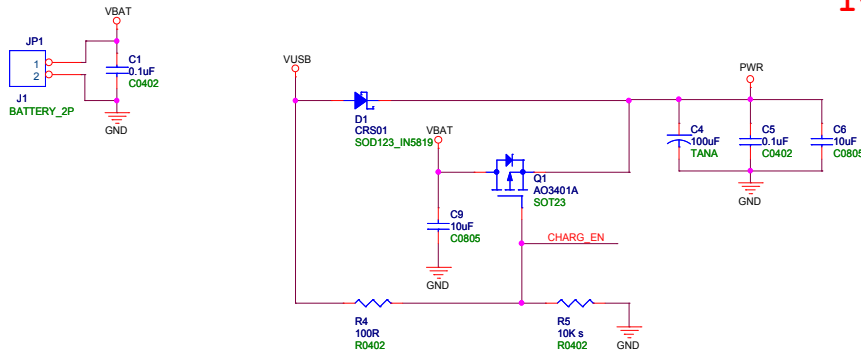


USB, please pay attention to the PCB impedance match and layout.
 USB impedance: Differential 90ohm



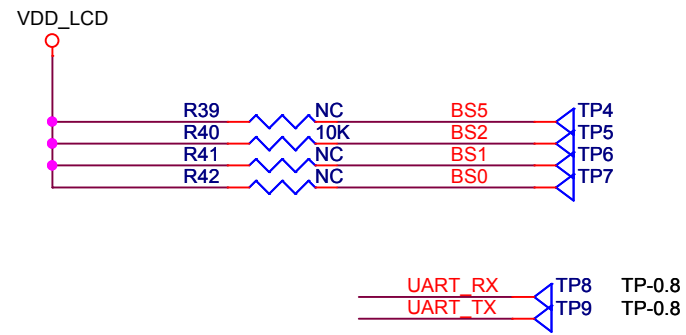
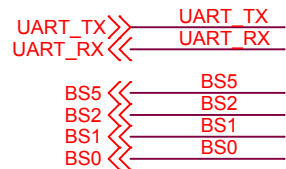
1v DCDC rated current must be greater than 1A.

1v DCDC inductance rated current must be greater than 1A.



PWBC_VBAT & VDD_RTC should be supplied power always.

NOVATEK MICROELECTRONICS CORP.			
2F, No. 13, Innovation Road 1, Science-based Industrial Park, Hsichu 300, Taiwan			
Title: DSC NT96650 series			
Size: Custom	Document Number: Power	Rev: A	
Date: Saturday, August 08, 2015	Sheet: 1	of 11	

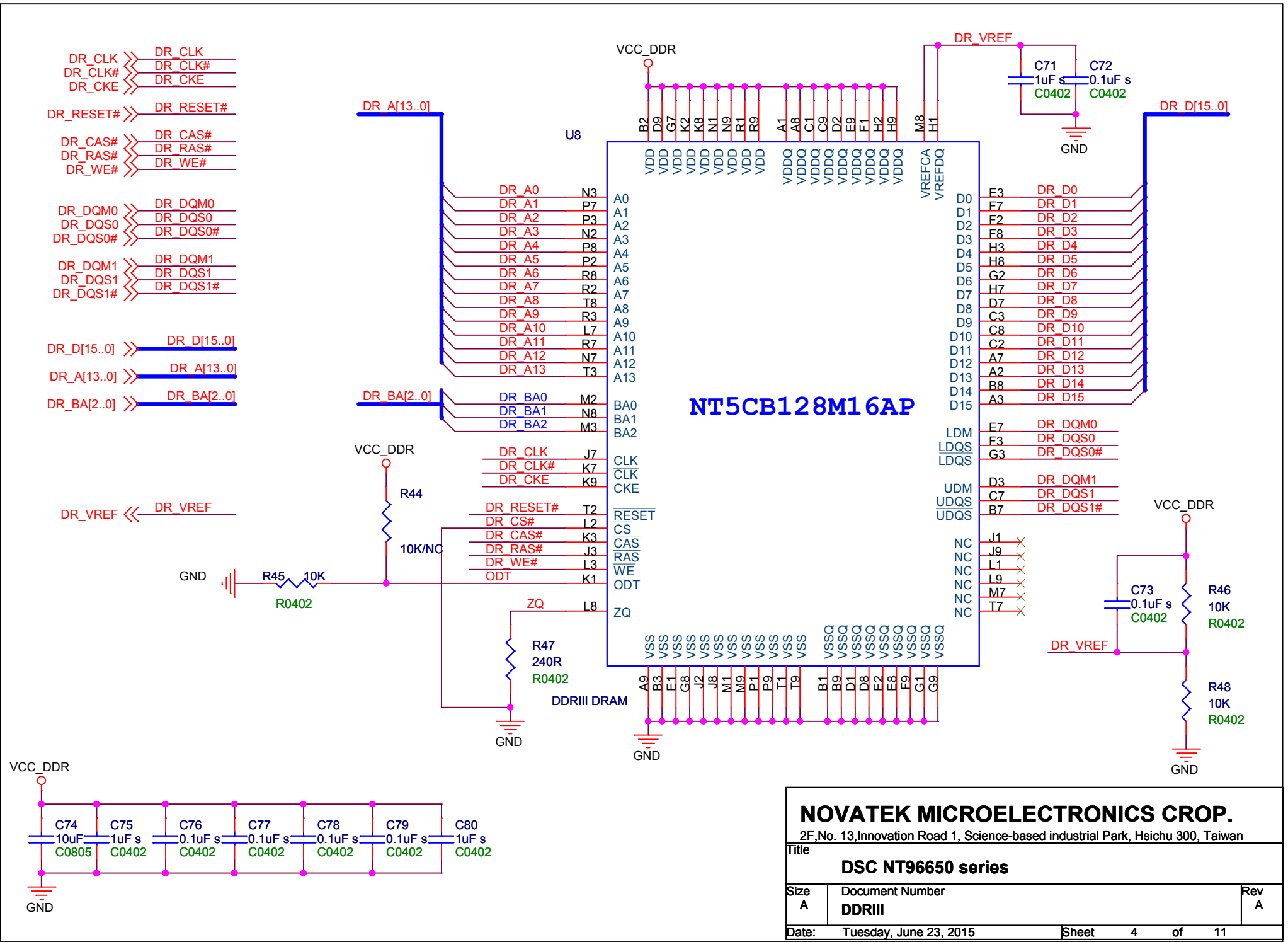


BS2 BS1 BS0

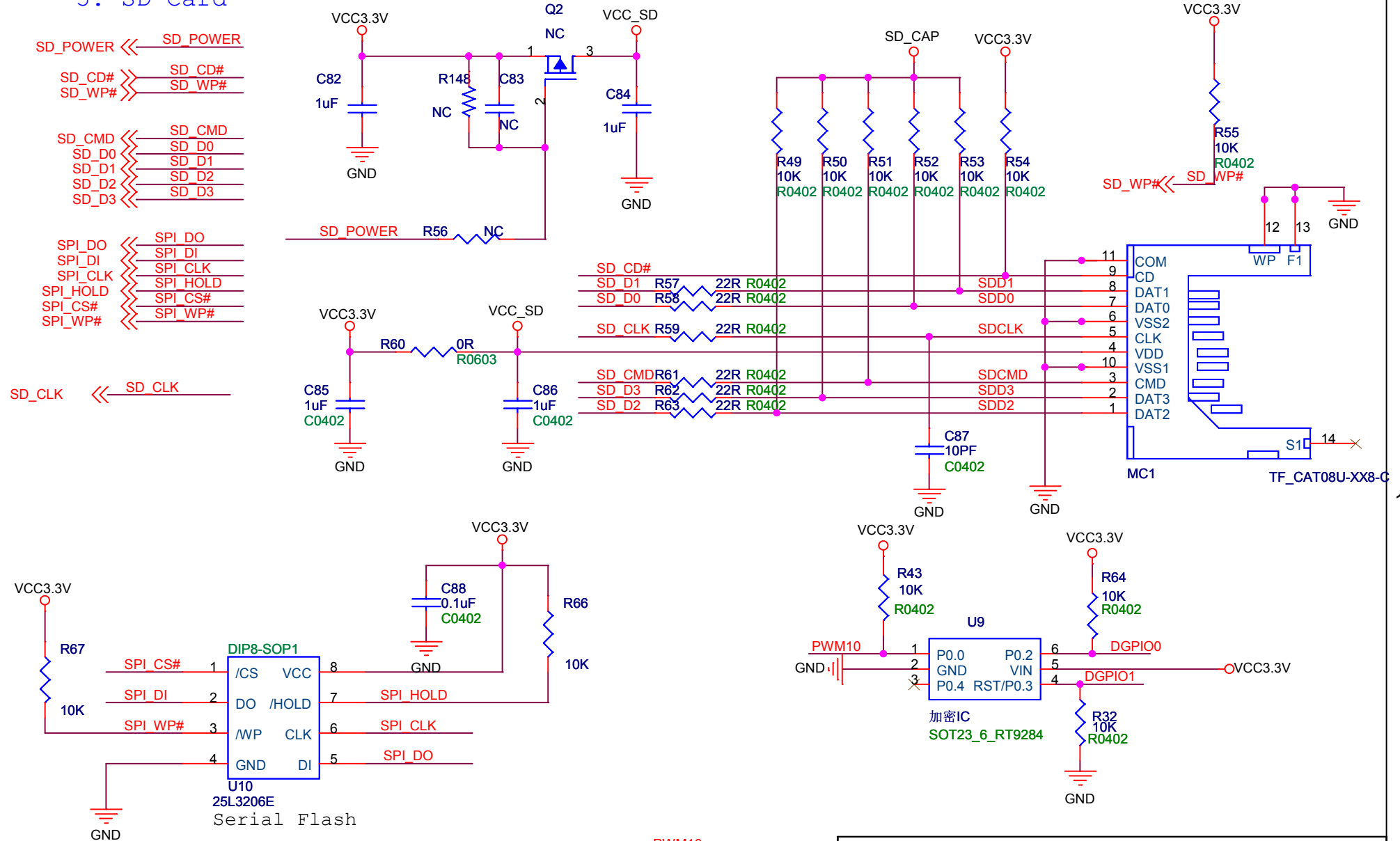
- 000: NAND with RS ECC
- 001: Boot card (Select by BOOT_CARD)
- 010: eMMC (SDIO2_2)
- 011: USB full speed
- 100: SPI flash
- 101: USB high speed
- 110: NAND with Hamming ECC
- 111: BMC (SPI)

BS5 : GPIO/EJTAG

NOVATEK MICROELECTRONICS CORP.		
2F, No. 13, Innovation Road 1, Science-based industrial Park, Hsichu 300, Taiwan		
Title		
DSC NT96650 series		
Size	Document Number	Rev
A	Boot & Debug	A
Date:	Tuesday, June 23, 2015	Sheet 3 of 11



5. SD Card

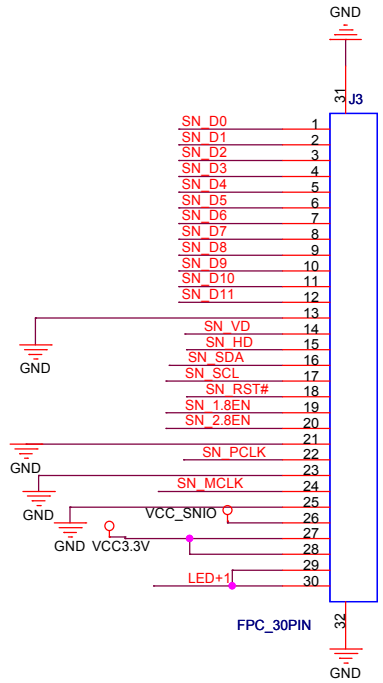
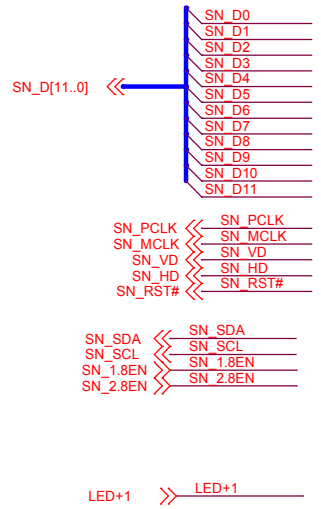


PWM10 << PWM10

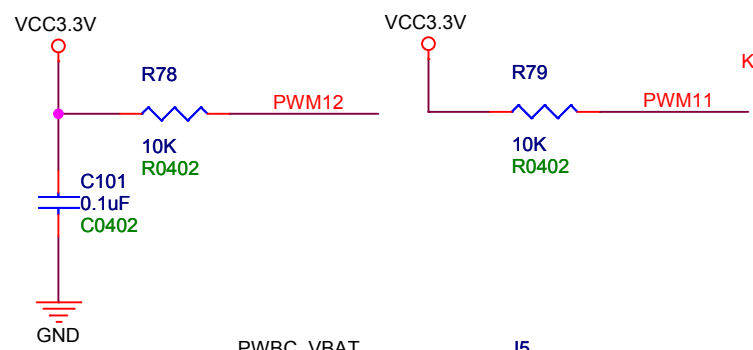
DGPIO1 << DGPIO1

DGPIO0 << DGPIO0

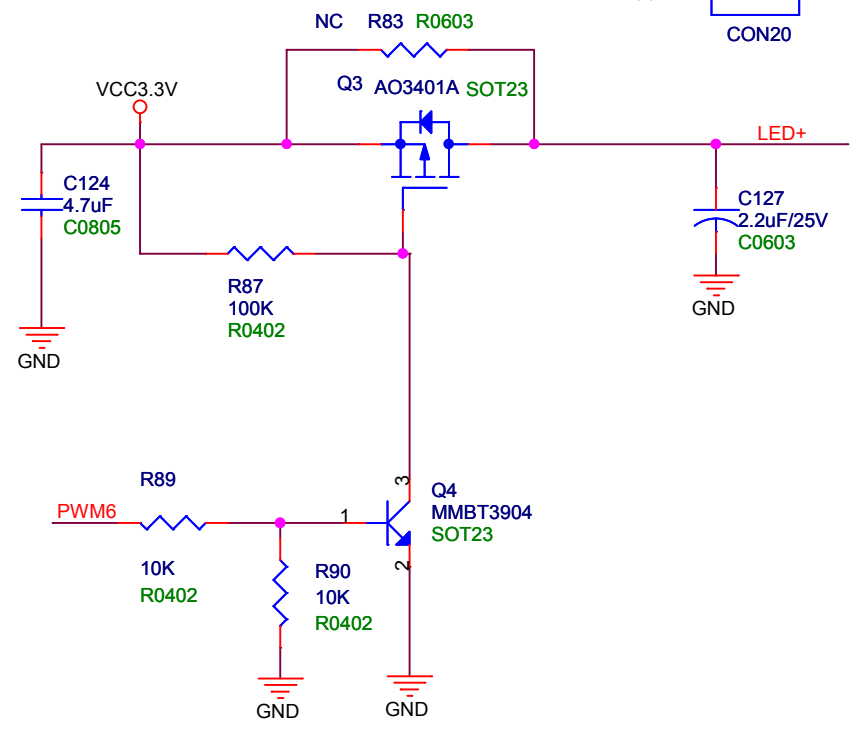
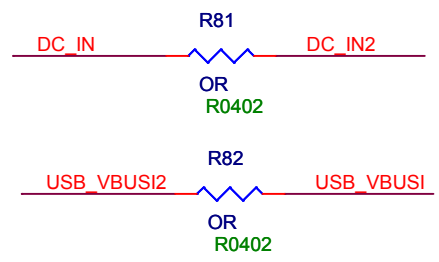
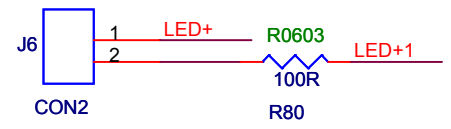
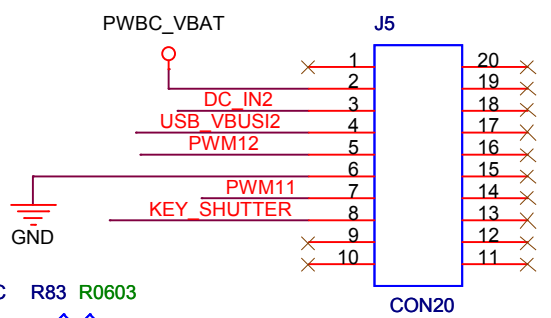
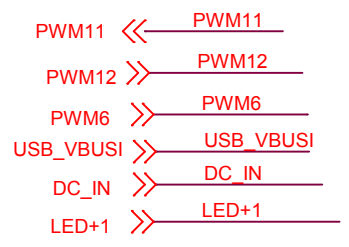
NOVATEK MICROELECTRONICS CORP.		
2F, No. 13, Innovation Road 1, Science-based industrial Park, Hsichu 300, Taiwan		
Title		
DSC NT96650 series		
Size	Document Number	Rev
A	SD & SPI	A
Date:	Monday, July 06, 2015	Sheet 5 of 11



NOVATEK MICROELECTRONICS CORP.		
2F, No. 13, Innovation Road 1, Science-based Industrial Park, Hsichu 300, Taiwan		
Title		
DSC NT96650 series		
Size	Document Number	Rev
Custom	SENSOR AR0330	A
Date:	Wednesday, June 24, 2015	Sheet 6 of 11



KEY_SHUTTER >> KEY_SHUTTER



NOVATEK MICROELECTRONICS CORP.		
2F, No. 13, Innovation Road 1, Science-based industrial Park, Hsichu 300, Taiwan		
Title		
DSC NT96650 series		
Size	Document Number	Rev
A	KEY	A
Date:	Wednesday, August 12, 2015	Sheet 8 of 11