

WARNING:

Please read these safety warnings and cautions carefully to ensure your personal safety and prevent property damage.

Fire and Electric Shock Hazard

- Do not drop, disassemble, open, crush, bend, deform, puncture, shred, microwave, incinerate, paint, or insert foreign objects in to the speaker. Such actions could result in electric shock.
- Do not expose your speaker to extremely high or low temperatures it can cause malfunction.
- Do not leave your speaker in direct sunlight for extended periods of time.
- Do not leave your speaker near open flames such as cooking burners, candles, or fireplaces.
- Do not block any ventilation openings.

Fall Hazard

Do not place the speaker on high surfaces such as shelves. During music playback the speaker may move which could cause the speaker to shift and fall off of the edge.

CAUTION:

- Do not use abrasive cleaners to clean your speaker. It could cause scratches and damage.
- Do not bring your speaker in to contact with any sharp objects. It could cause scratches and damage.
- Do not insert anything into your speaker unless otherwise specified in the user instructions. This may damage the units internal components .
- Do not attempt to repair, modify, or disassemble your speaker yourself, it does not contain any user-serviceable components.
- Do not attempt to replace your speaker battery, it is built-in and is not changeable.
- Use only the manufacturer supplied charger to charge your speaker. Other chargers may look similar, but using them could result in electric shock and could damage your speaker.
- Observe all signs and displays that require an electrical device or RF radio product to be switched off in designated areas.
- Turn off your speaker prior to boarding an aircraft. Do not use the speaker inside an aircraft unless allowed by your airline.
- Dispose of the speaker and its battery in accordance with local regulations. Do not dispose of the battery with regular household waste.

FCC STATEMENT :

This device complies with Part 15 of the FCC Rules. Operation is subject to the following two conditions:

(1) This device may not cause harmful interference, and (2) This device must accept any interference received, including interference that may cause undesired operation.

Warning: Changes or modifications not expressly approved by the party responsible for compliance could void the user's authority to operate the equipment.

NOTE: This equipment has been tested and found to comply with the limits for a Class B digital device, pursuant to Part 15 of the FCC Rules. These limits are designed to provide reasonable protection against harmful interference in a residential installation. This equipment generates uses and can radiate radio frequency energy and, if not installed and used in accordance with the instructions, may cause harmful interference to radio communications. However, there is no guarantee that interference will not occur in a particular installation. If this equipment does cause harmful interference to radio or television reception, which can be determined by turning the equipment off and on, the user is encouraged to try to correct the interference by one or more of the following measures:

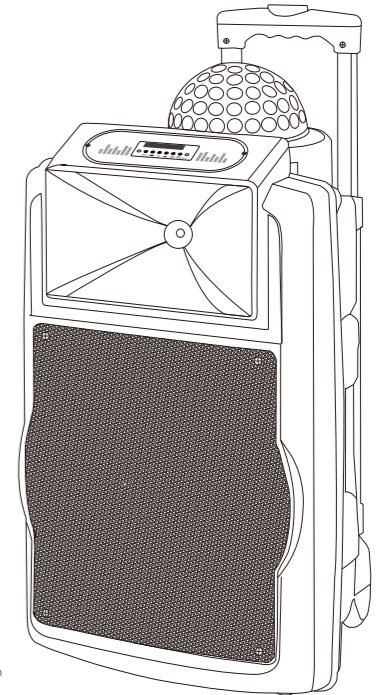
- Reorient or relocate the receiving antenna.
- Increase the separation between the equipment and receiver.
- Connect the equipment into an outlet on a circuit different from that to which the receiver is connected.
- Consult the dealer or an experienced radio/TV technician for help.

RF warning statement:

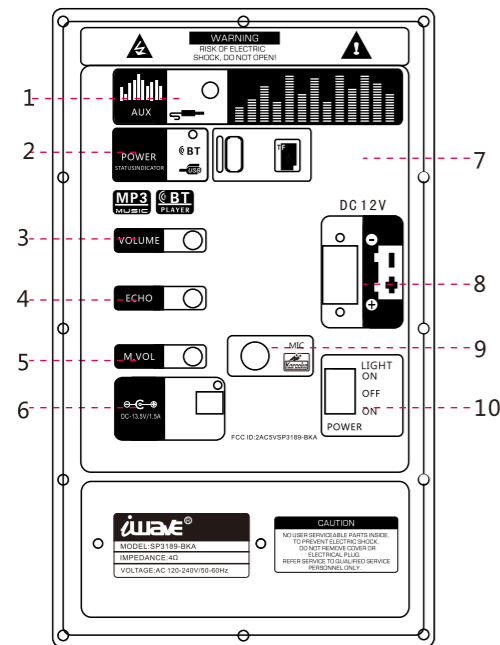
The device has been evaluated to meet general RF exposure requirement. The device can be used in portable exposure condition without restriction.



WIRELESS KARAOKE TROLLEY SPEAKER



FUNCTION PANELS



1 Audio Input: Allows you to connect your DVD/VCD/AUX, etc.

2 Signal Status Indicators: Informs your device has been Successfully connected Via Bluetooth and /or USB by "Flashing"

3 Music Volume: Allows you to adjust the Volume

4 ECHO: Allows you to increase or decrease the echo effect

5 Microphone Volume: Allows you to adjust microphone volume

6 DC13.5V Input: Allows you to recharge the Unit (estimated time 6-7 Hours)

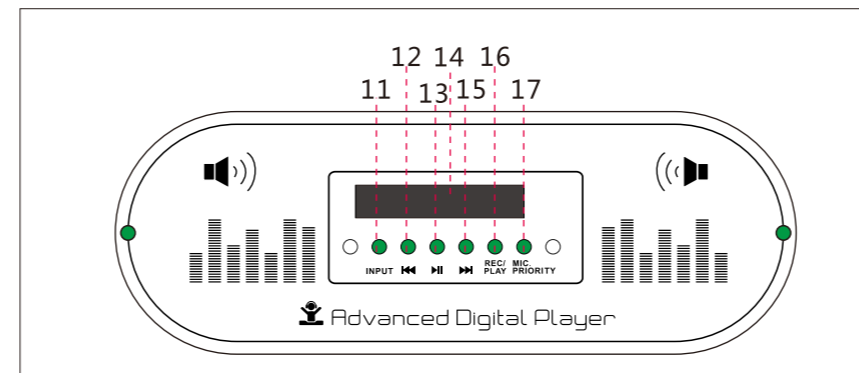
7 USB/ TF Port: Allows you to connect to the unit via USB or by inserting an insert TF Card

8 External Battery: Additional 12V power source.

9 Microphone Input Jack: Allows you to Plug in an Additional Microphone

10 Power Switch: Allows You To Power the Unit On or Off

MP3 PANEL FUNCTION



11 AUX/USB/TF/FM/BT

12 Press to go to Previous Track

13 Press to Pause/Play

14 Status Display Window

15 Press to go to next Track

16 Press for Recording/playback

17 Press to Control Microphone priority (long press 3 seconds to chose wireless or extrenal Microphone)

Trouble Shooting

For troubleshooting refer to the steps below. If the problems still exist, please look for a qualified technician or contact us at support@argentosc.com

DO NOT ATTEMPT TO OPEN OR REPAIR THE UNIT YOURSELF.

Doing so can result in "Electric Shock" or additional damage to the unit.

NO LIGHTS OR SOUND:

- Check if the plug is properly connected
- Check if the Power Button is on

SAFETY INSTRUCTIONS

1. Please read the user manual carefully before using.
2. Please follow All warnings stated on the device and user manual
3. Do not near water.
4. Do not blocks any of the ventilation openings.
 - Do not use near any heat sources or fire.
 - Do not use in airtight locations.
5. Keep the cords & plugs in good order.
6. To Clean, the unit may be wiped down with a damp cloth, once the unit has been switched off and unplugged.
7. Unplug the unit during lighting storms or when not in use for long periods of time.
8. Keep foreign objects and liquid from entering the unit to avoid short circuit, fire and electrical accidents.
9. Keep the unit in a dry location.
10. Refer to a qualified technician for all servicing needs.

SPECIFICATIONS

Model No: SP3189-BKA	Transmission Distance: 45 ft
Output Power: 25W(RMS)	Playback Time: 3-5 hours
Impedance: 4 ohms	Charging Time: 6-7 Hours
Frequency Response: 45Hz-19KHz	Charging Voltage: DC 13.5V
S/N Ratio: 87dB±3dB	Mic Impedance: 600Ω
Power Supply: AC 120-240V/ 50-60Hz	