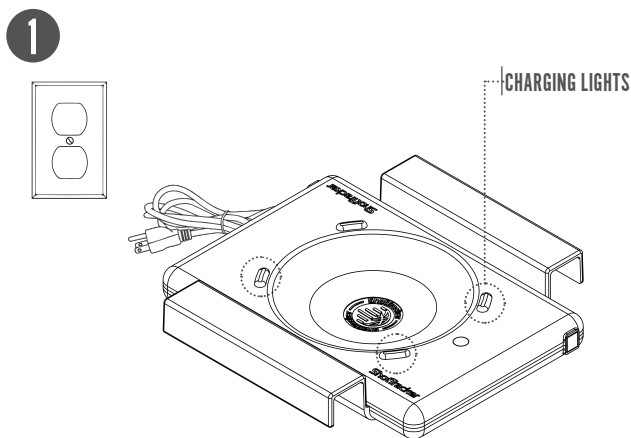
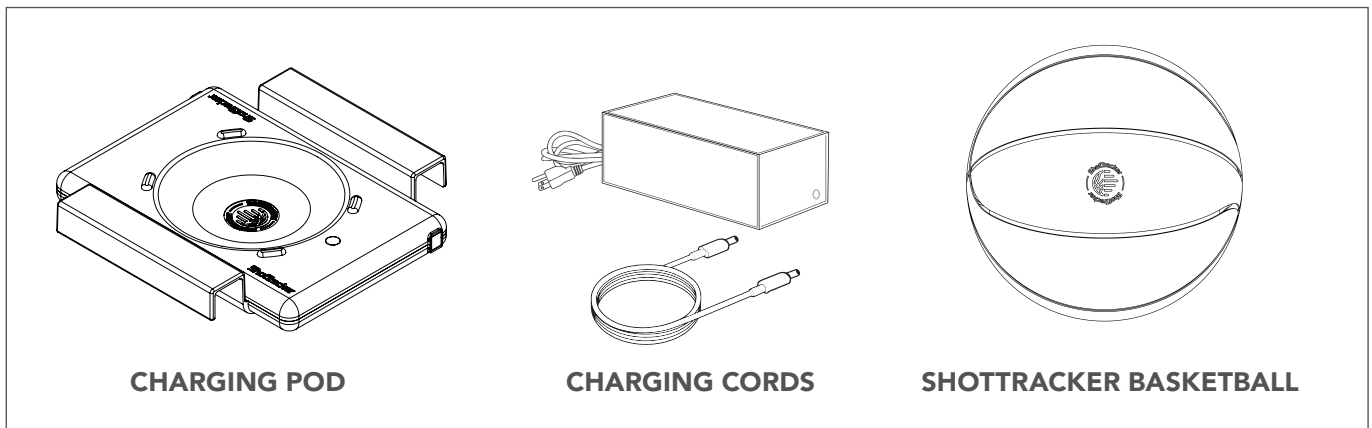
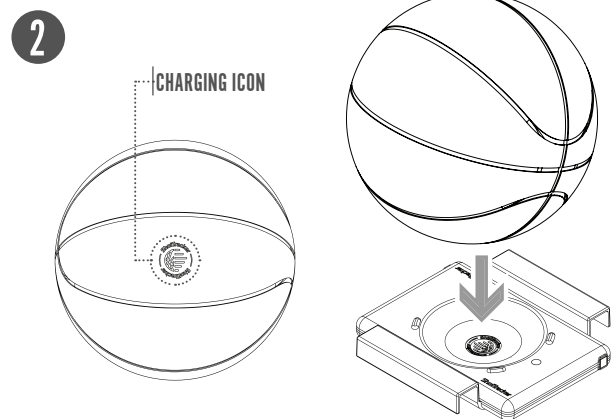


ShotTracker® WIRELESS CHARGING POD

OPERATING INSTRUCTIONS

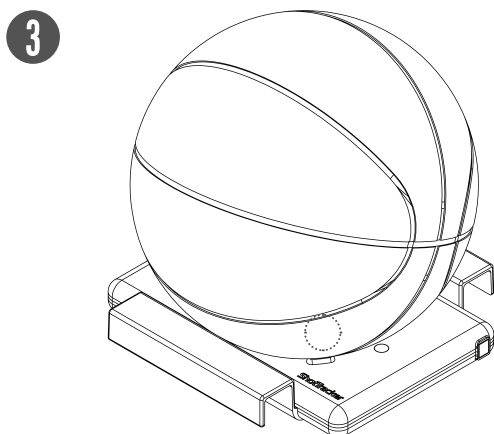


Plug in the charging pod with the cable provided. The lights on the charging pod should turn a solid **BLUE**. This indicates the charging pod is ready.



To charge, place the basketball on the charging pod. Align the charging icon so that it sits directly centered on the charging pod icon.

It is not recommended to hold the ball while charging.



The charging pod lights display the ball battery level status:

SOLID RED = Charging

PULSING RED = Alignment Error
(Make the sure charging icon is aligned)

BLINKING RED = Error
(Remove ball, wait for BLUE lights, and replace ball on charger)

SOLID GREEN = Fully Charged

SOLID BLUE = Ready for Ball

*Do **NOT** place anything but ShotTracker-enabled basketballs on the charging pod. This may result in harm to the charging pod.*

FC

NOTE: This equipment has been tested and found to comply with the limits for a Class B digital device, pursuant to part 15 of the FCC Rules. These limits are designed to provide reasonable protection against harmful interference in a residential installation. Operation is subject to the following two conditions: (1) This device may not cause harmful interference, and (2) this device must accept any interference received, including interference that may cause undesired operation. This equipment generates, uses and can radiate radio frequency energy and, if not installed and used in accordance with the instructions, may cause harmful interference to radio communications. However, there is no guarantee that interference will not occur in a particular installation. If this equipment does cause harmful interference to radio or television reception, which can be determined by turning the equipment off and on, the user is encouraged to try to correct the interference by one or more of the following measures:

- Reorient or relocate the receiving antenna.
- Increase the separation between the equipment and receiver.
- Connect the equipment into an outlet on a circuit different from that to which the receiver is connected.
- Consult the dealer or an experienced radio/TV technician for help.

IC

CAUTION: Changes or modifications not expressly approved for compliance could void your authority to operate this equipment.

ENGLISH

This device complies with Industry Canada license-exempt RSS standard(s). Operation is subject to the following two conditions:

1. This device may not cause harmful interference;
2. This device must accept any interference received, including interference that may cause undesired operation of the device.

FRENCH

Cet appareil est conforme à Industrie Canada une licence standard RSS exonérés (s). Son fonctionnement est soumis aux deux conditions suivantes: 1. Cet appareil ne doit pas provoquer d'interférences 2. Cet appareil doit accepter toute interférence reçue, y compris les interférences pouvant provoquer un fonctionnement indésirable de l'appareil.

(f) UWB systems operating under the provisions of this section shall bear the following or similar statement in a conspicuous location on the device or in the instruction manual supplied with the device.

This equipment may only be operated indoors. Operation outdoors is in violation of 47 U.S.C. 301 and could subject the operator to serious legal penalties.

RF EXPOSURE WARNING STATEMENTS

This equipment complies with FCC radiation exposure limits set forth for an uncontrolled environment. End users must follow the specific operating instructions for satisfying RF exposure compliance.

Énoncé d'exposition aux rayonnements: Cet équipement est conforme aux limites d'exposition aux rayonnements ioniques RSS-102 Pour un environnement incontrôlé.

The information in this guide may change without notice. The manufacturer assumes no responsibility for any errors that may appear in this guide.