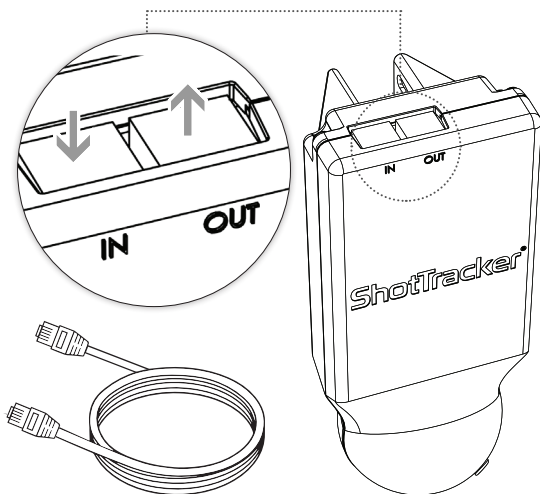


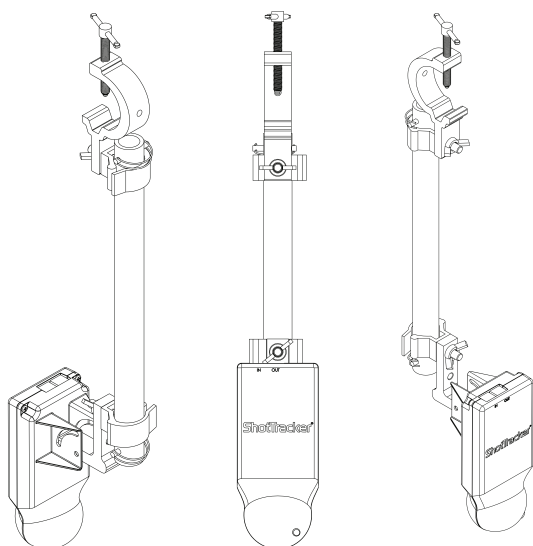
ShotTracker[®] COURT SENSOR INSTALLATION

OPERATING INSTRUCTIONS



1

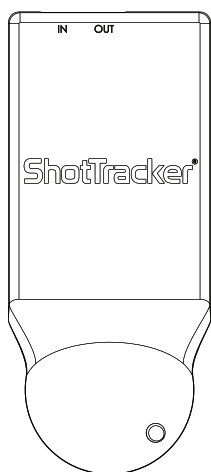
Plug the Ethernet cable from server side to the **IN** and Ethernet cable going to next court sensor in the **OUT**.



2

Place the court sensor in clear view of the court. Use the appropriate hardware to attach the court sensor to the building structure.

Do not place where people will be standing around, or where people are walking by. This will disrupt the signal. The court sensor must only be installed/used indoors, and it must be installed at a location that maintains a separation distance greater than 20cm from people in the surrounding area.



3

Once the court sensor is plugged in and server is running the court sensor lights should be:

SOLID RED = Bootloading / Initializing

BLINK GREEN = Running (at 5Hz)

FC

NOTE: This equipment has been tested and found to comply with the limits for a Class B digital device, pursuant to part 15 of the FCC Rules. These limits are designed to provide reasonable protection against harmful interference in a residential installation. Operation is subject to the following two conditions: (1) This device may not cause harmful interference, and (2) this device must accept any interference received, including interference that may cause undesired operation. This equipment generates, uses and can radiate radio frequency energy and, if not installed and used in accordance with the instructions, may cause harmful interference to radio communications. However, there is no guarantee that interference will not occur in a particular installation. If this equipment does cause harmful interference to radio or television reception, which can be determined by turning the equipment off and on, the user is encouraged to try to correct the interference by one or more of the following measures:

- Reorient or relocate the receiving antenna.
- Increase the separation between the equipment and receiver.
- Connect the equipment into an outlet on a circuit different from that to which the receiver is connected.
- Consult the dealer or an experienced radio/TV technician for help.

IC

CAUTION: Changes or modifications not expressly approved for compliance could void your authority to operate this equipment.

ENGLISH

This device complies with Industry Canada license-exempt RSS standard(s). Operation is subject to the following two conditions:

1. This device may not cause harmful interference;
2. This device must accept any interference received, including interference that may cause undesired operation of the device.

FRENCH

Cet appareil est conforme à Industrie Canada une licence standard RSS exonérés (s). Son fonctionnement est soumis aux deux conditions suivantes:1. Cet appareil ne doit pas provoquer d'interférences2. Cet appareil doit accepter toute interférence reçue, y compris les interférences pouvant provoquer un fonctionnement indésirable de l'appareil.

(f) UWB systems operating under the provisions of this section shall bear the following or similar statement in a conspicuous location on the device or in the instruction manual supplied with the device.

This equipment may only be operated indoors. Operation outdoors is in violation of 47 U.S.C. 301 and could subject the operator to serious legal penalties.

RF EXPOSURE WARNING STATEMENTS

This equipment complies with FCC radiation exposure limits set forth for an uncontrolled environment. End users must follow the specific operating instructions for satisfying RF exposure compliance.

Énoncé d'exposition aux rayonnements: Cet équipement est conforme aux limites d'exposition aux rayonnements ioniques RSS-102 Pour un environnement incontrôlé.

The information in this guide may change without notice. The manufacturer assumes no responsibility for any errors that may appear in this guide.

In order to comply with FCC/ISED RF Exposure requirements, this device must be installed to provide at least 20 cm separation from the human body at all times.

Afin de se conformer aux exigences d'exposition RF FCC / ISED, cet appareil doit être installé pour fournir au moins 20 cm de séparation du corps humain en tout temps.