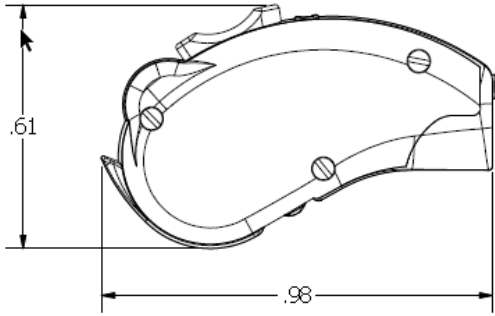
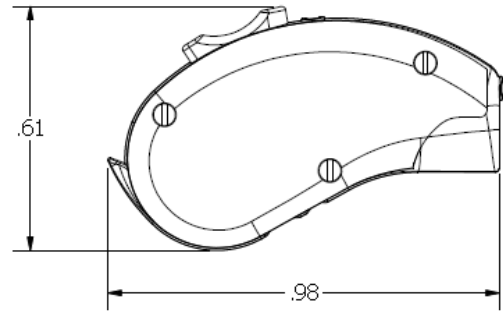


Measurement of devices



FCC ID# 2AC2WSQ4360
Previously approved
Measurements as shown are in inches.



FCC ID# 2AC2WSQ-U56
Current Submission
Conversion .98in = 24.892mm .61in = 15.494cm