



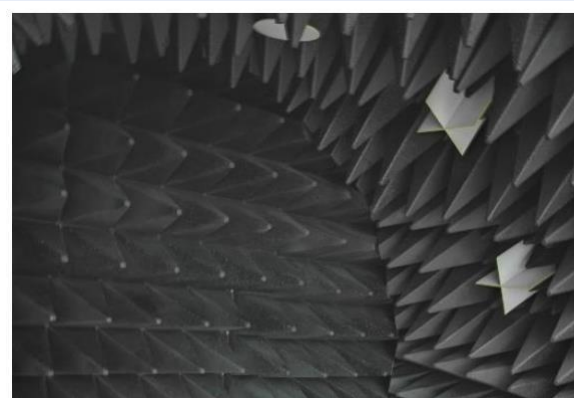
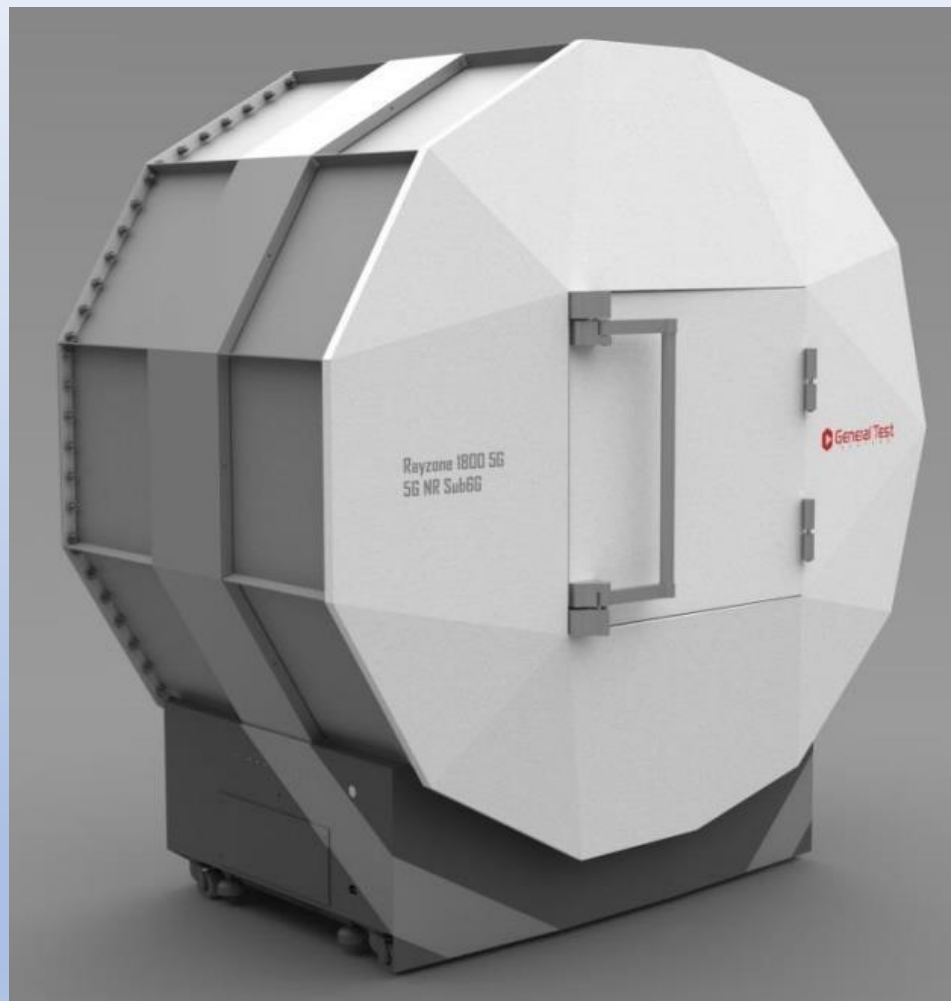
**SHENZHEN HANYANG ANTENNA DESIGN CO. LTD.**

**GSD**

**Project Name: WIFI ANT**

**HY P/N: WT8S**

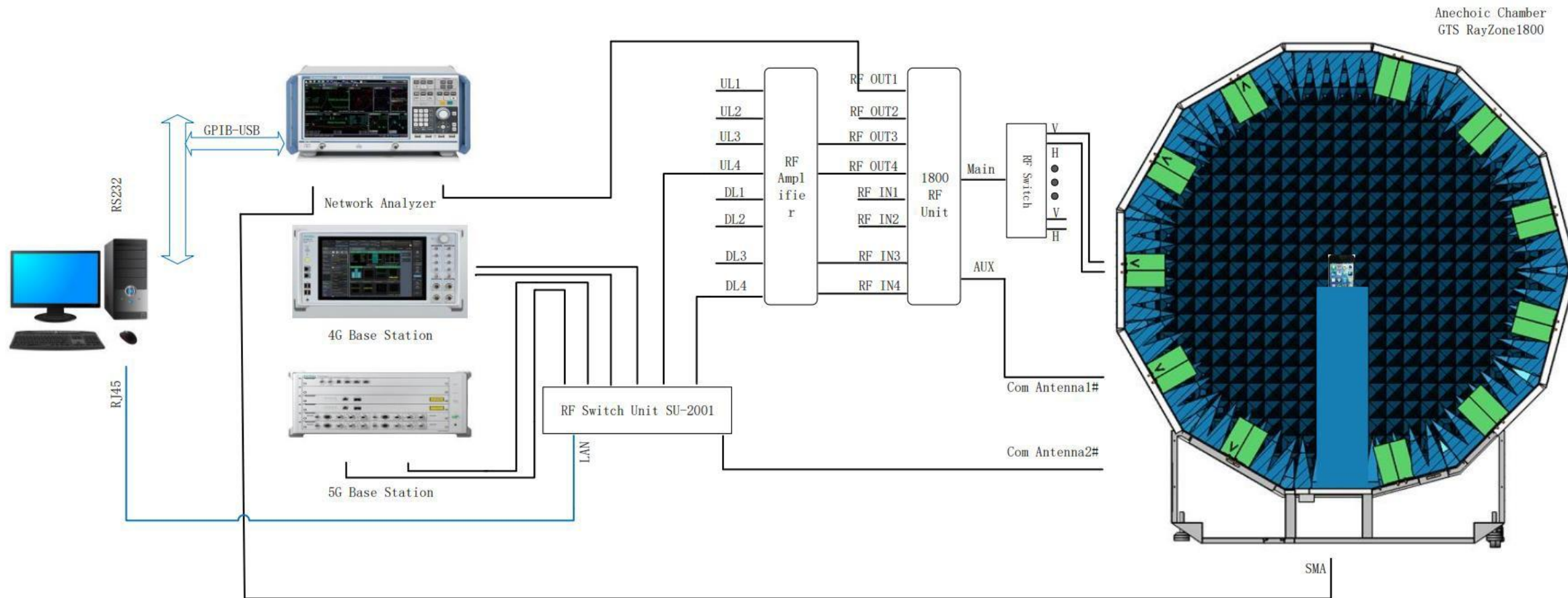
**Date: 2023-12-16**



- 无线通信标准: 2G/3G/4G/5G(FR1)/GNSS/A-GNSS/Wi-Fi/Bluetooth
- 物联网通信标准: LTE Cat NB1(NB-IoT)/Cat-M1(e-MTC)
- SISO测试TRP/TIS/EIRP/EIS, 2x2 MIMO吞吐率测试;
- 无源天线测试、Desense测试、ICS
- 支持600MHz-7.5GHz频段
- GTS MaxSign 100 测试软件支持天线/OTA测试, 提供可视化数据分析
- 新型EPP硬质环保吸波材料、低RCS高增益测量天线组、透波转台和夹具
- 快速MIMO测试; 认证级测试精度
- 一体化设计, 即插即用, 维护简单



## RayZone1800 Test Setup





Test site address: Shenzhen Baoan District Qianjin 2 Road BaoYunda logistics information building 12A11

Test day: 2023.12.16

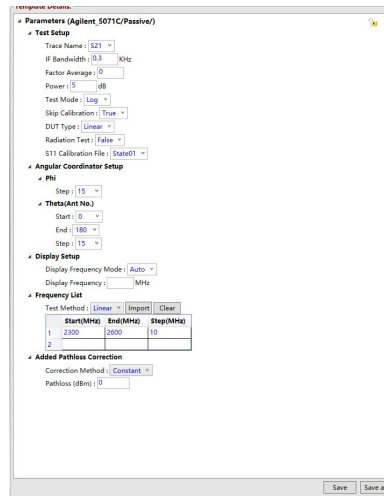
test personal: 刘邓

Test software: GTS\_MAX SIGN Libra1.2.7

Test equipment:

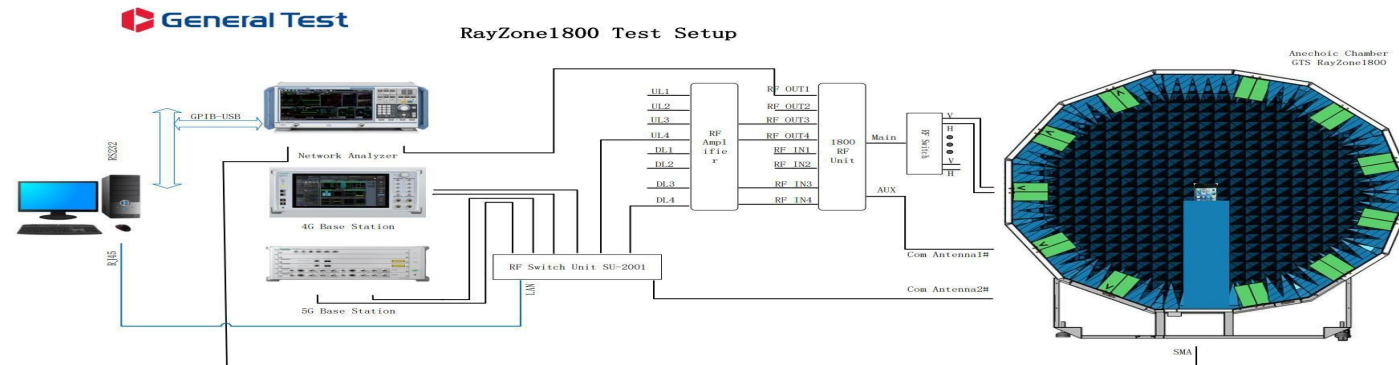
Test Standard: Generic standard

Test set up:

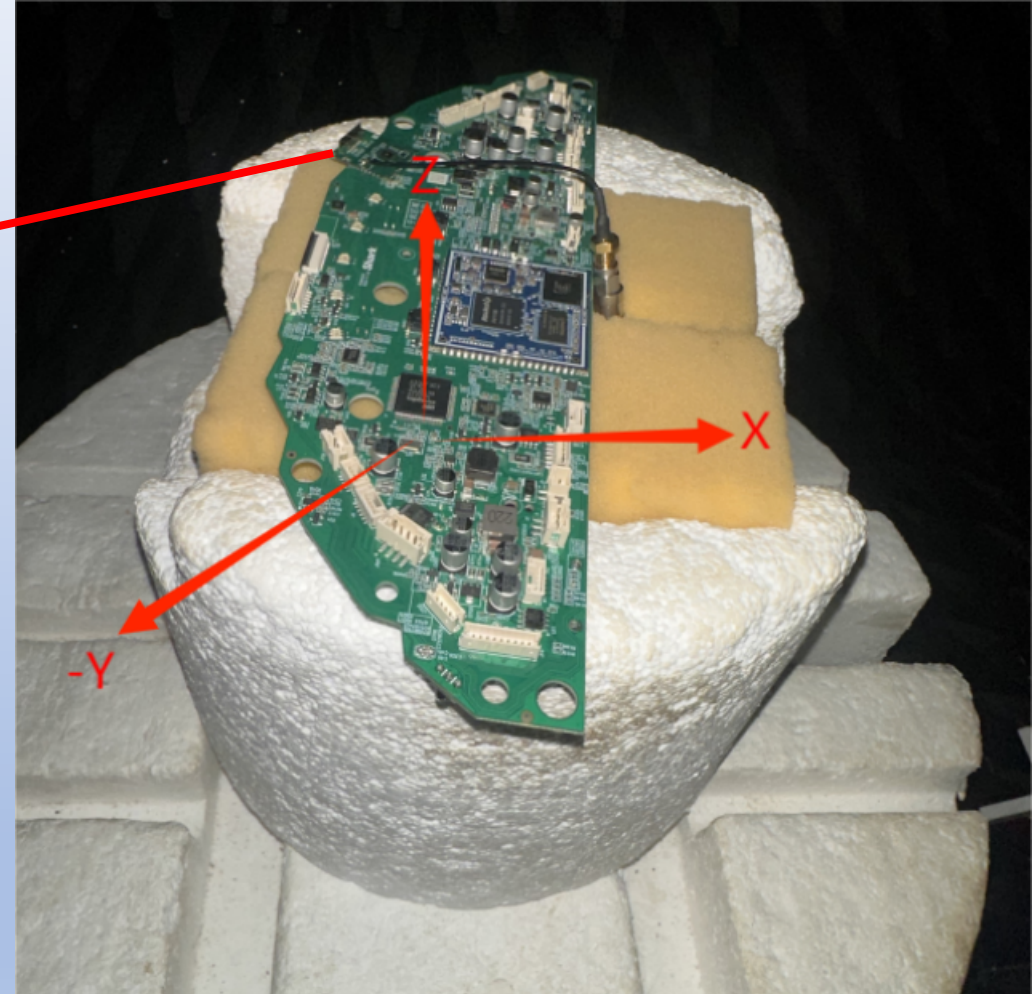


Test flow:

校准设备表	测试仪器	制造商	型号	系列号	校准日期	校准过期日期
	网络分析仪	Keysight	E5071C	MY47002902	2023.04.01	2024.03.30
	CMW500天线测试系统	GTS	1800	/	2023.04.01	2024.03.30

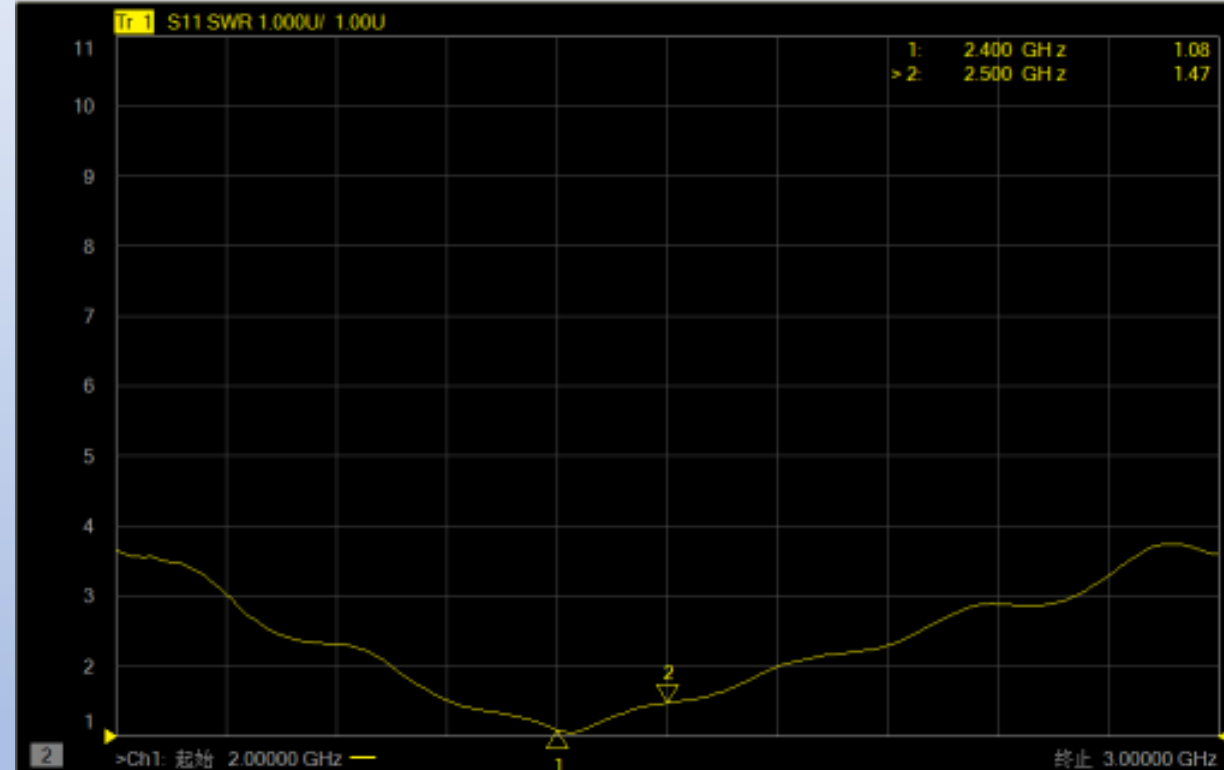
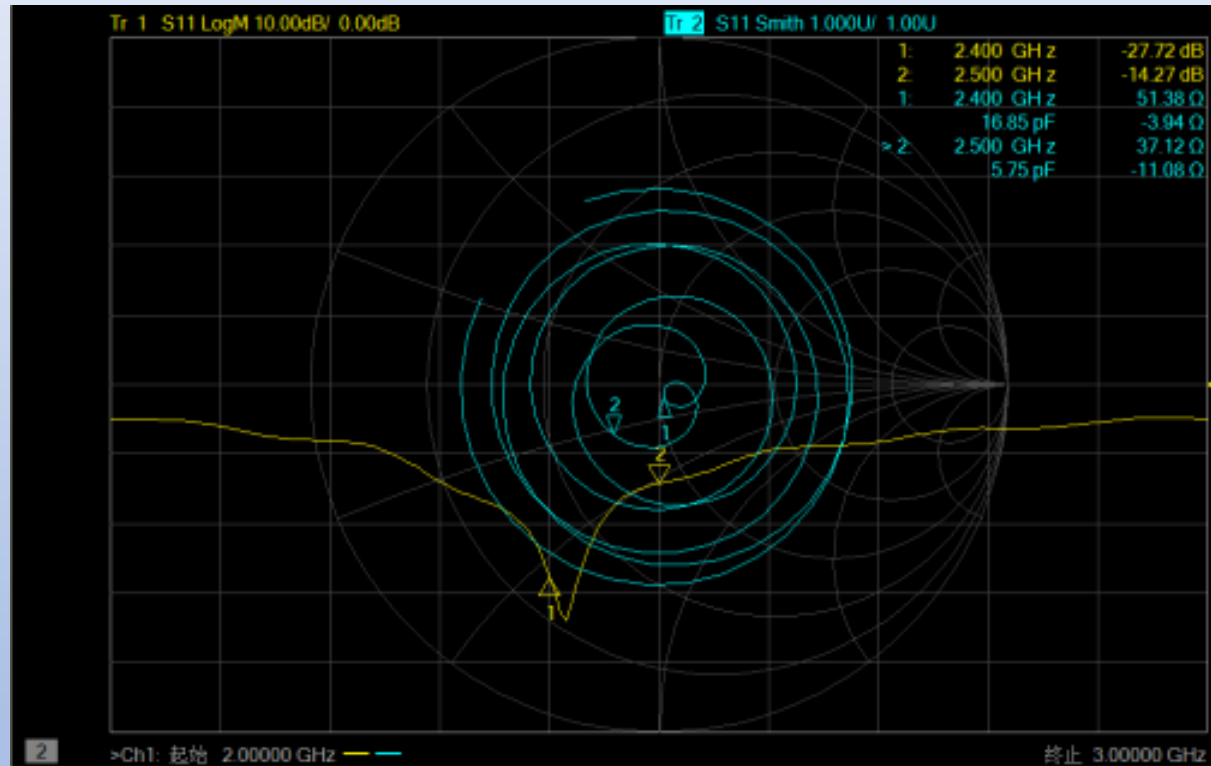


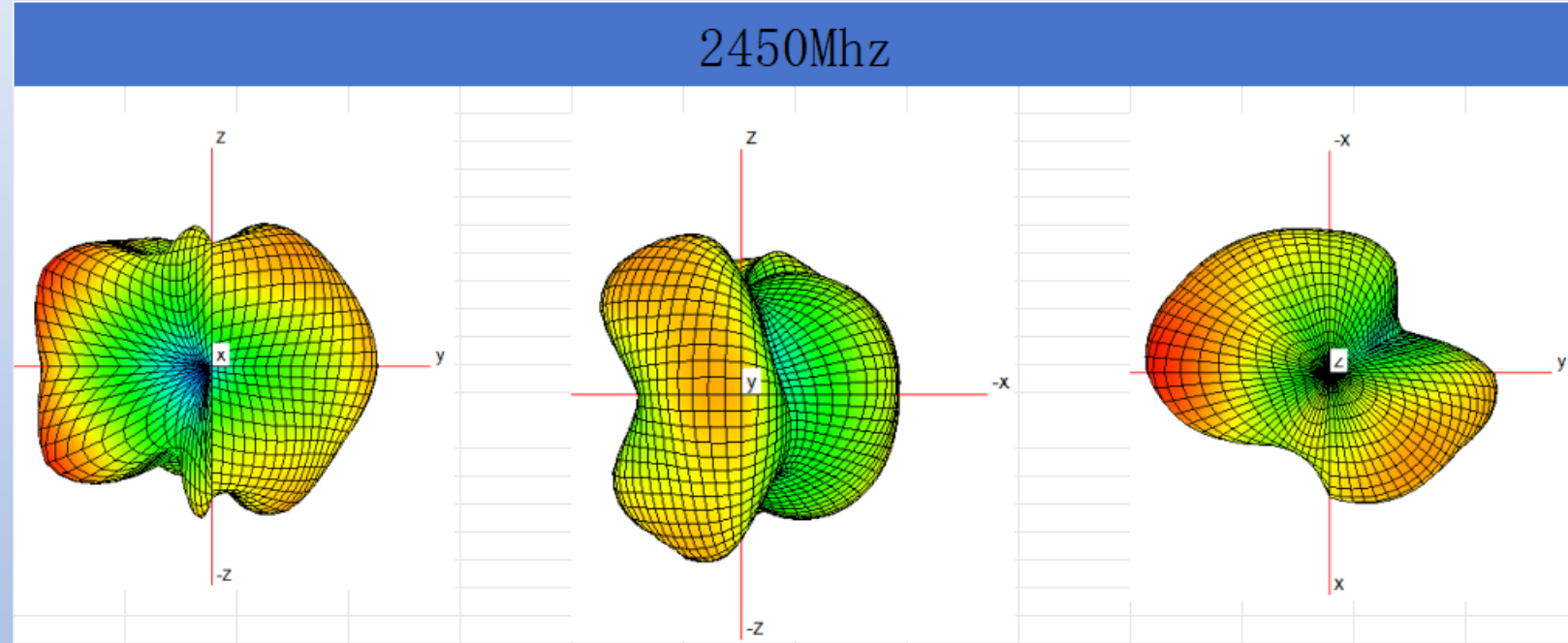
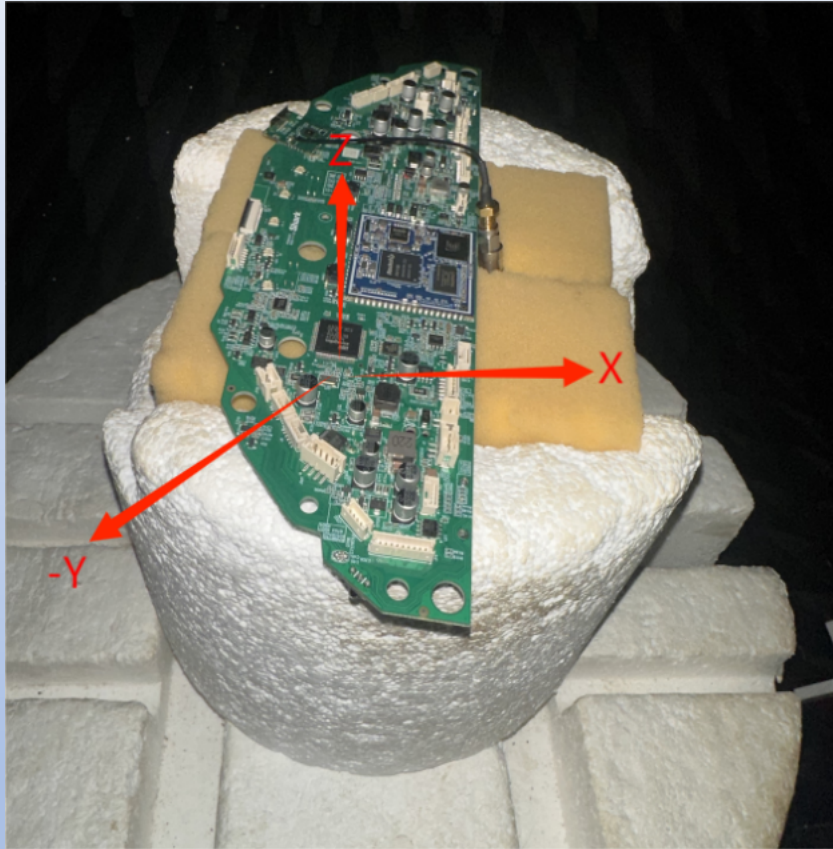




Frequency (MHz)	X-Z plane		Y-Z plane		X-Y plane		E-total (dBi)	Efficiency (%)
	Peak Gain	Average Gain	Peak Gain	Average Gain	Peak Gain	Average Gain		
2400	1.14	0.07	1.16	-2.87	1.14	-2.93	1.25	71%
2450	1.85	0.46	1.45	-2.60	1.87	-2.53	1.88	77%
2500	1.31	0.08	1.01	-2.81	1.31	-2.77	1.37	73%

# S11 Plot & SWR









# 5G

Welcome calls consultations, negotiations and guidance come!

# Thank you