

# FCC & ISED DFS Test Report

**FCC ID: 2AC23- WCT23**  
**IC:12290A- WCT23**

Report Reference No. ....: 21EFSS12073 00111  
Date Sample(s) Received .....: 2021-12-23  
Date of Tested .....: 2021-12-23 to 2021-01-05  
Date of issue .....: 2021-01-10  
Testing Laboratory.....: DongGuan ShuoXin Electronic Technology Co., Ltd.  
Address .....: Zone A, 1F, No. 6, XinGang Road YuanGang Street,  
XinAn District, ChangAn Town, DongGuan City,  
GuangDong, China  
  
Applicant's name .....: Hui Zhou Gaoshengda Technology Co., LTD  
Address .....: NO.75 Zhongkai Development Area, Huizhou,  
Guangdong,China  
Manufacturer .....: Hui Zhou Gaoshengda Technology Co., LTD  
  
Test specification:  
Test item description.....: WIFI+BT Module  
Trade Mark .....: GSD  
Model/Type reference .....: WCT23M2501F  
Ratings .....: I/P: DC 3.3V

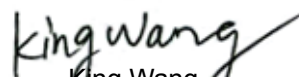
Test Engineer:

  
Blue Qiu

Responsible Engineer :

  
Smile Wang

Authorized Signatory:

  
King Wang

<b>Table of Contents</b>	<b>page</b>
<b>1 . EUT INFORMATION</b>	<b>4</b>
1.1 EUT SPECIFICATION TABLE	4
1.2 CONDUCTED OUTPUT POWER AND EIRP	6
<b>2 . U-NII DFS RULE REQUIREMENTS</b>	<b>7</b>
2.1 WORKING MODES AND REQUIRED TEST ITEMS	7
2.2 TEST LIMITS AND RADAR SIGNAL PARAMETERS	8
<b>3 . TEST INSTRUMENTS</b>	<b>10</b>
<b>4 . DYNAMIC FREQUENCY SELECTION (DFS) TEST</b>	<b>11</b>
4.1 DFS MEASUREMENT SYSTEM	11
4.2 CALIBRATION OF DFS DETECTION THRESHOLD LEVEL	12
4.3 DEVIATION FROM TEST STANDARD	12
<b>5 . TEST RESULTS</b>	<b>13</b>
5.1 SUMMARY OF TEST RESULT	13
5.2 TEST MODE: DEVICE OPERATING IN MASTER MODE.	13
5.3 DFS DETECTION THRESHOLD	14
5.4 CHANNEL CLOSING TRANSMISSION AND CHANNEL MOVE TIME WLAN TRAFFIC	15
5.5 NON- OCCUPANCY PERIOD	19

### TEST REPORT DECLARE

<b>Applicant</b>	:	Hui Zhou Gaoshengda Technology Co., LTD
<b>Address</b>	:	NO.75 Zhongkai Development Area, Huizhou, Guangdong, China
<b>Equipment under Test</b>	:	WIFI+BT Module
<b>Model No</b>	:	WCT23M2501F
<b>Trade Mark</b>	:	GSD
<b>Manufacturer</b>	:	Hui Zhou Gaoshengda Technology Co., LTD
<b>Address</b>	:	No.2,Jin-da Road, Huinan High-tech Industrial Park, Hui-ao Avenue, Huizhou City, Guangdong, China
<b>Standard(s)</b>	:	RSS-247 Issue 2, Feb. 2017 RSS-247 Section 6 FCC Part 15, Subpart E (Section 15.407) / FCC 06-96 FCC KDB 789033 D02 General U-NII Test Procedures New Rules v02r01 FCC KDB 905462 D02 UNII DFS Compliance Procedures New Rules v02 FCC KDB 905462 D03 UNII Clients Without Radar Detection New Rules v01r02

**We Declare:**

The equipment described above is tested by DongGuan ShuoXin Electronic Technology Co., Ltd(ATT). and in the configuration tested the equipment complied with the standards specified above. The test results are contained in this test report and DongGuan ShuoXin Electronic Technology Co., Ltd.(ATT) is assumed of full responsibility for the accuracy and completeness of these tests.

ATT is not responsible for the sampling stage, so the results only apply to the sample as received.

ATT's reports apply only to the specific samples tested under conditions. It is manufacture's responsibility to ensure that additional production units of this model are manufactured with the identical electrical and mechanical components. ATT shall have no liability for any declarations, inferences or generalizations drawn by the client or others from ATT issued reports.

## 1 EUT INFORMATION

### 1.1 EUT SPECIFICATION TABLE

Table 1: Specification of EUT

<b>Equipment</b>	WIFI+BT Module	
<b>Brand Name</b>	GSD	
<b>Test Model</b>	WCT23M2501F	
<b>Series Model</b>	N/A	
<b>Model Difference(s)</b>	N/A	
<b>Operationa Mode</b>	Slave	
<b>Operating Frequency Range</b>	5250 MHz ~ 5350 MHz & 5470 MHz ~ 5725 MHz(for FCC) 5470 MHz~5600 MHz & 5650 MHz~5725 MHz(for ISSED)	
<b>Antenna informaton</b>	Antenna Type: PCB	Maximum Peak Gain:4 dBi
<b>Modulation</b>	OFDM	

**Note:** This device was functioned as a

Master     Slave device without radar detection     Slave device with radar detection

Note:

1. For a more detailed features description, please refer to the manufacturer's specifications or the user's manual.

2. Channel List:

IEEE 802.11a IEEE 802.11n (HT20) IEEE 802.11ac(VHT20)		IEEE 802.11n (HT40) IEEE 802.11ac(VHT40)		IEEE 802.11ac(VHT80)	
UNII-2A		UNII-2A		UNII-2A	
Channel	Frequency (MHz)	Channel	Frequency (MHz)	Channel	Frequency (MHz)
52	5260	54	5270	58	5290
56	5280	62	5310		
60	5300				
64	5320				

IEEE 802.11a IEEE 802.11n (HT20) IEEE 802.11ac (VHT20)		IEEE 802.11n (HT40) IEEE 802.11ac (VHT40)		IEEE 802.11ac (VHT80)	
UNII-2C		UNII-2C		UNII-2C	
Channel	Frequency (MHz)	Channel	Frequency (MHz)	Channel	Frequency (MHz)
100	5500	102	5510	106	5530
104	5520	110	5550	122	5610
108	5540	118	5590		
112	5560	126	5630		
116	5580	134	5670		
120	5600				
124	5620				
128	5640				
132	5660				
136	5680				
140	5700				

## 1.2 CONDUCTED OUTPUT POWER AND EIRP

Table 2: The Maximum Output Power and e.i.r.p. List

TX AC20 Mode				
Frequency Band (MHz)	Max. Output Power (dBm)	Directive gain	Max. e.i.r.p. (dBm)	Max. e.i.r.p. (mW)
5250~5350	15.82	7.01	22.83	191.87
5470~5725	15.78	7.01	22.79	190.11

TX AC40 Mode				
Frequency Band (MHz)	Max. Output Power (dBm)	Directive gain	Max. e.i.r.p. (dBm)	Max. e.i.r.p. (mW)
5250~5350	15.65	7.01	22.64	183.65
5470~5725	15.90	7.01	22.91	195.43

TX AC80 Mode				
Frequency Band (MHz)	Max. Output Power (dBm)	Directive gain	Max. e.i.r.p. (dBm)	Max. e.i.r.p. (mW)
5250~5350	15.63	7.01	22.64	183.65
5470~5725	15.58	7.01	22.59	181.55

## 2U-NII DFS RULE REQUIREMENTS

### 2.1 WORKING MODES AND REQUIRED TEST ITEMS

The manufacturer shall state whether the UUT is capable of operating as a Master and/or a Client. If the UUT is capable of operating in more than one operating mode then each operating mode shall be tested separately. See tables 3 and 4 for the applicability of DFS requirements for each of the operational modes.

Table 3: Applicability of DFS requirements prior to use a channel

Requirement	Operational Mode		
	Master	Client without radar detection	Client with radar detection
Non-Occupancy Period	✓	✓	✓
DFS Detection Threshold	✓	Not required	✓
Channel Availability Check Time	✓	Not required	Not required
Uniform Spreading	✓	Not required	Not required
U-NII Detection Bandwidth	✓	Not required	✓

Table 4: Applicability of DFS requirements during normal operation.

Requirement	Operational Mode		
	Master	Client without radar detection	Client with radar detection
DFS Detection Threshold	✓	Not required	✓
Channel Closing Transmission Time	✓	✓	✓
Channel Move Time	✓	✓	✓
U-NII Detection Bandwidth	✓	Not required	✓

## 2.2 TEST LIMITS AND RADAR SIGNAL PARAMETERS

### DETECTION THRESHOLD VALUES

Table 5: DFS Detection Thresholds for Master Devices and Client Devices With Radar Detection.

Maximum Transmit Power	Value (See Notes 1 and 2)
e.i.r.p. $\geq$ 200 milliwatt	-64 dBm
e.i.r.p. $<$ 200 milliwatt and power spectral density $<$ 10 dBm/MHz	-62 dBm
e.i.r.p. $<$ 200 milliwatt that do not meet the power spectral density requirement	-64 dBm

**Note 1:** This is the level at the input of the receiver assuming a 0 dBi receive antenna.

**Note 2:** Throughout these test procedures an additional 1 dB has been added to the amplitude of the test transmission waveforms to account for variations in measurement equipment. This will ensure that the test signal is at or above the detection threshold level to trigger a DFS response.

**Note 3:** e.i.r.p. is based on the highest antenna gain. For MIMO devices refer to KDB Publication 662911 D01.

Table 6: DFS Response Requirement Values

Parameter	Value
Non-occupancy period	Minimum 30 minutes
Channel Availability Check Time	60 seconds
Channel Move Time	10 seconds See Note 1.
Channel Closing Transmission Time	200 milliseconds + an aggregate of 60 milliseconds over remaining 10 second period. See Notes 1 and 2.
U-NII Detection Bandwidth	Minimum 100% of the UNII 99% transmission power bandwidth. See Note 3.

**Note 1:** Channel Move Time and the Channel Closing Transmission Time should be performed with Radar Type 0. The measurement timing begins at the end of the Radar Type 0 burst.

**Note 2:** The Channel Closing Transmission Time is comprised of 200 milliseconds starting at the beginning of the Channel Move Time plus any additional intermittent control signals required to facilitate a Channel move (an aggregate of 60 milliseconds) during the remainder of the 10 second period. The aggregate duration of control signals will not count quiet periods in between transmissions.

**Note 3:** During the U-NII Detection Bandwidth detection test, radar type 0 should be used. For each frequency step the minimum percentage of detection is 90 percent. Measurements are performed with no data traffic.



**PARAMETERS OF DFS TEST SIGNALS**

Step intervals of 0.1 microsecond for Pulse Width, 1 microsecond for PRI, 1 MHz for chirp width and 1 for the number of pulses will be utilized for the random determination of specific test waveforms.

Table 7: Short Pulse Radar Test Waveforms.

Radar Type	Pulse Width (μsec)	PRI (μsec)	Number of Pulses	Minimum Percentage of Successful Detection	Minimum Number of Trials
0	1	1428	18	See Note 1	See Note 1
1	1	Test A: 15 unique PRI values randomly selected from the list of 23 PRI values in Table 5a	Roundup $\left\{ \begin{matrix} \left( \frac{1}{360} \right) \cdot \\ \left( \frac{19 \cdot 10^6}{PRI_{\mu sec}} \right) \end{matrix} \right\}$	60%	30
		Test B: 15 unique PRI values randomly selected within the range of 518-3066 μsec, with a minimum increment of 1 μsec, excluding PRI values selected in Test A			
2	1-5	150-230	23-29	60%	30
3	6-10	200-500	16-18	60%	30
4	11-20	200-500	12-16	60%	30
Aggregate (Radar Types 1-4)				80%	120
<b>Note 1:</b> Short Pulse Radar Type 0 should be used for the detection bandwidth test, channel move time, and channel closing time tests.					

A minimum of 30 unique waveforms are required for each of the Short Pulse Radar Types 2 through 4. If more than 30 waveforms are used for Short Pulse Radar Types 2 through 4, then each additional waveform must also be unique and not repeated from the previous waveforms. If more than 30 waveforms are used for Short Pulse Radar Type 1, then each additional waveform is generated with Test B and must also be unique and not repeated from the previous waveforms in Tests A or B.

Table 8: Long Pulse Radar Test Waveform

Radar Type	Pulse Width (μsec)	Chirp Width (MHz)	PRI (μsec)	Number of Pulses per Burst	Number of Bursts	Minimum Percentage of Successful Detection	Minimum Number of Trials
5	50-100	5-20	1000-2000	1-3	8-20	80%	30

The parameters for this waveform are randomly chosen (The center frequency for each of the 30 trials of the Bin 5 radar shall be randomly selected within 80% of the Occupied Bandwidth.) Thirty unique waveforms are required for the Long Pulse Radar Type waveforms. If more than 30 waveforms are used for the Long Pulse Radar Type waveforms, then each additional waveform must also be unique and not repeated from the previous waveforms.

Table 9: Frequency Hopping Radar Test Waveform

Radar Type	Pulse Width (μsec)	Chirp Width (MHz)	PRI (μsec)	Number of Pulses per Burst	Number of Bursts	Minimum Percentage of Successful Detection	Minimum Number of Trials
6	1	333	9	0.333	300	70%	30

### 3. TEST INSTRUMENTS

Table 10: Test Instruments List.

DESCRIPTION	MANUFACTURER	MODEL NO.	Serial No	Calibration Until
Spectrum analyzer	KEYSIGHT	N9010A	MY55150427	05/28/2022
Signal Generator	KEYSIGHT	N5182B	MY53052051	05/28/2022
POWER SPLITTER	Mini-Circuits	ZN3PD-622W-S+	N/A	N/A
POWER SPLITTER	Mini-Circuits	ZN3PD-622W-S+	N/A	N/A
Attenuator	MCL	BW-N20W5+	N/A	N/A
AP	Aerohive	AP230	N/A	N/A

Note:

- (1) Calibration interval of instruments listed above is one year.
- (2) Wi-Fi Router's FCC ID: WBV-AP230

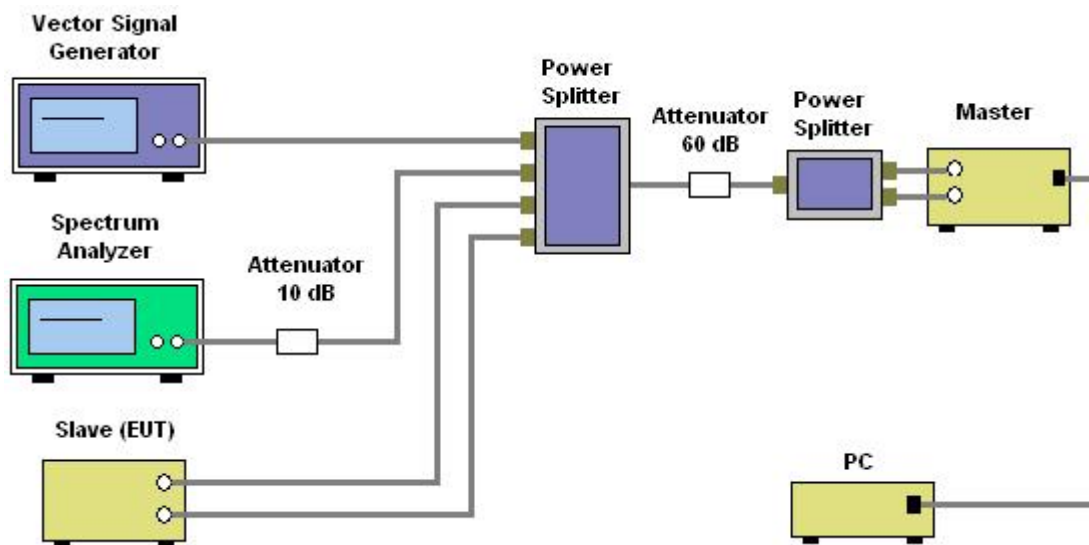
## 4. DYNAMIC FREQUENCY SELECTION (DFS) TEST

### 4.1 DFS MEASUREMENT SYSTEM

#### Test Procedure

1. Master device and client device are set up by conduction method as the following configuration.
2. The client device is connected to notebook and to access a IP address on wireless connection with the master device.
3. Then the master device is connected to another notebook to access a IP address.
4. Finally, let the two IP addresses run traffic with each other through the Run flow software "Lan test" to reach 17% channel loading.

#### Setup



The hopping type 6 pulse parameters are fixed while the hopping sequence is based on the August 2005 NTIA Hopping Frequency List. The initial starting point randomized at run-time and each subsequent starting point is incremented by 475. Each frequency in the 100-length segment is compared to the boundaries of the EUT Detection Bandwidth and the software creates a hopping burst pattern in accordance with Section 7.4.1.3 Method #2 Simulated Frequency Hopping Radar Waveform Generating Subsystem of FCC 06-96. The frequency of the signal generator is incremented in 1 MHz steps from FL to FH for each successive trial. This incremental sequence is repeated as required to generate a minimum of 30 total trials and to maintain a uniform frequency distribution over the entire Detection Bandwidth.

The signal monitoring equipment consists of a spectrum analyzer set to display 8001 bins on the horizontal axis. The time-domain resolution is 2 msec / bin with a 16 second sweep time, meeting the 10 second short pulse reporting criteria. The aggregate ON time is calculated by multiplying the number of bins above a threshold during a particular observation period by the dwell time per bin, with the analyzer set to peak detection and max hold.

Should multiple RF ports be utilized for the Master and/or Slave devices (for example, for diversity or MIMO implementations), additional combiner/dividers are inserted between the Master Combiner/Divider and the pad connected to the Master Device (and/or between the Slave Combiner/Divider and the pad connected to the Slave Device). Additional pads are utilized such that there is one pad at each RF port on each EUT.

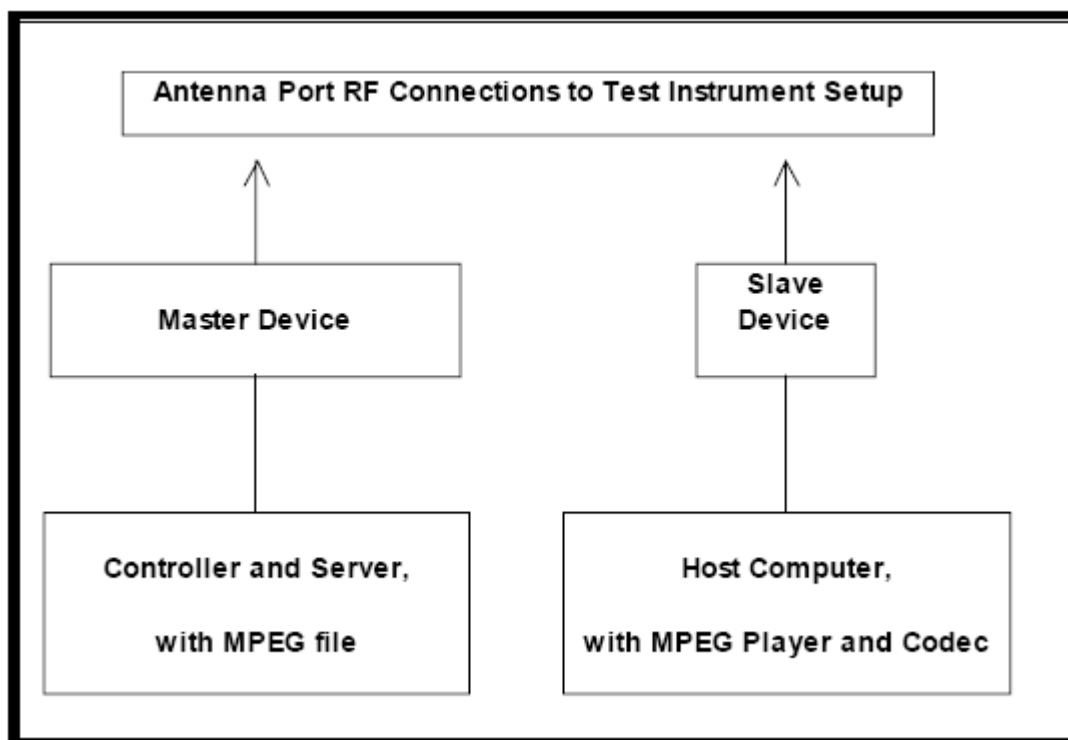
#### 4.2 CALIBRATION OF DFS DETECTION THRESHOLD LEVEL

A 50 ohm load is connected in place of the spectrum analyzer, and the spectrum analyzer is connected in place of the master device and the signal generator is set to CW mode. The amplitude of the signal generator is adjusted to yield a level of  $-62$  dBm as measured on the spectrum analyzer.

Without changing any of the instrument settings, the spectrum analyzer is reconnected to the Common port of the Spectrum Analyzer Combiner/Divider. Measure the amplitude and calculate the difference from  $-62$  dBm. Adjust the Reference Level Offset of the spectrum analyzer to this difference.

The spectrum analyzer displays the level of the signal generator as received at the antenna ports of the Master Device. The interference detection threshold may be varied from the calibrated value of  $-62$  dBm and the spectrum analyzer will still indicate the level as received by the Master Device.

Set the signal generator to produce a radar waveform, trigger a burst manually and measure the level on the spectrum analyzer. Readjust the amplitude of the signal generator as required so that the peak level of the waveform is at a displayed level equal to the required or desired interference detection threshold. Separate signal generator amplitude settings are determined as required for each radar type.



#### 4.3 DEVIATION FROM TEST STANDARD

No deviation.

## 5. TEST RESULTS

### 5.1 SUMMARY OF TEST RESULT

Clause	Test Parameter	Test Mode and Channel	Remarks	Pass/Fail
15.407	DFS Detection Threshold	-	No Applicable	N/A
15.407	Channel Availability Check Time	-	Not Applicable	N/A
15.407	Channel Move Time	TX AC (VHT20) Mode 5300 MHz	Applicable	Pass
		TX AC (VHT40) Mode 5310 MHz		
		TX AC (VHT80) Mode 5290 MHz		
15.407	Channel Closing Transmission Time	TX AC (VHT20) Mode 5300 MHz	Applicable	Pass
		TX AC (VHT40) Mode 5310 MHz		
		TX AC (VHT80) Mode 5290 MHz		
15.407	Non- Occupancy Period	TX AC (VHT20) Mode 5300 MHz	Applicable	Pass
		TX AC (VHT40) Mode 5310 MHz		
		TX AC (VHT80) Mode 5290 MHz		
15.407	Uniform Spreading	-	Not Applicable	N/A
15.407	U-NII Detection Bandwidth	-	Not Applicable	N/A

### 5.2 TEST MODE: DEVICE OPERATING IN MASTER MODE.

The EUT is slave equipment, it need a master device when testing.

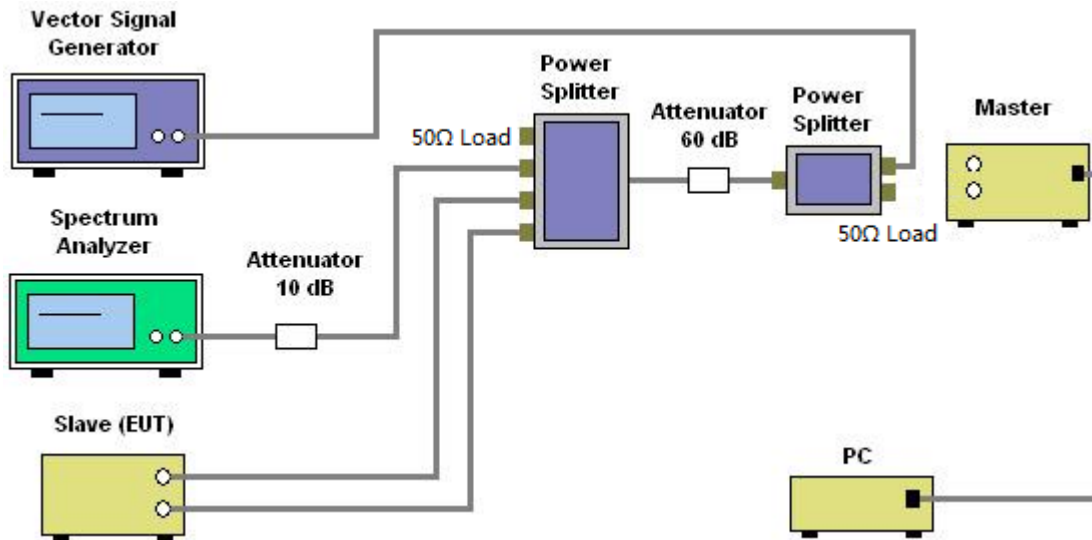
Master with injection at the Master. (Radar Test Waveforms are injected into the Master)

### 5.3 DFS DETECTION THRESHOLD

Calibration:

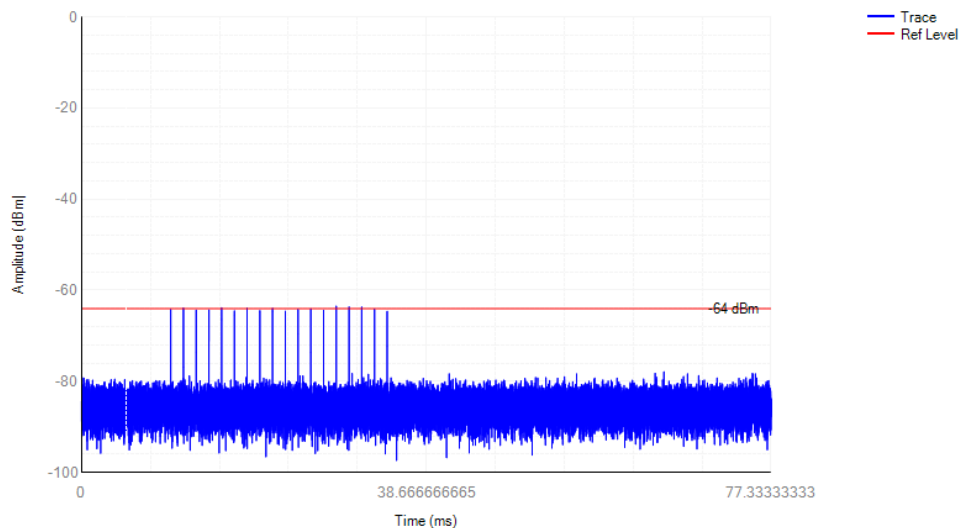
The EUT is slave equipment and it with the lowest gain is 3 dBi.  
 For a detection threshold level of -64dBm and the master antenna gain is 3 dBi, required detection threshold is -61.00 dBm (= -64+3).

Note: Maximum Transmit Power is less than 200 milliwatt in this report, so detection threshold level is -62dBm.



### Radar Signal 0

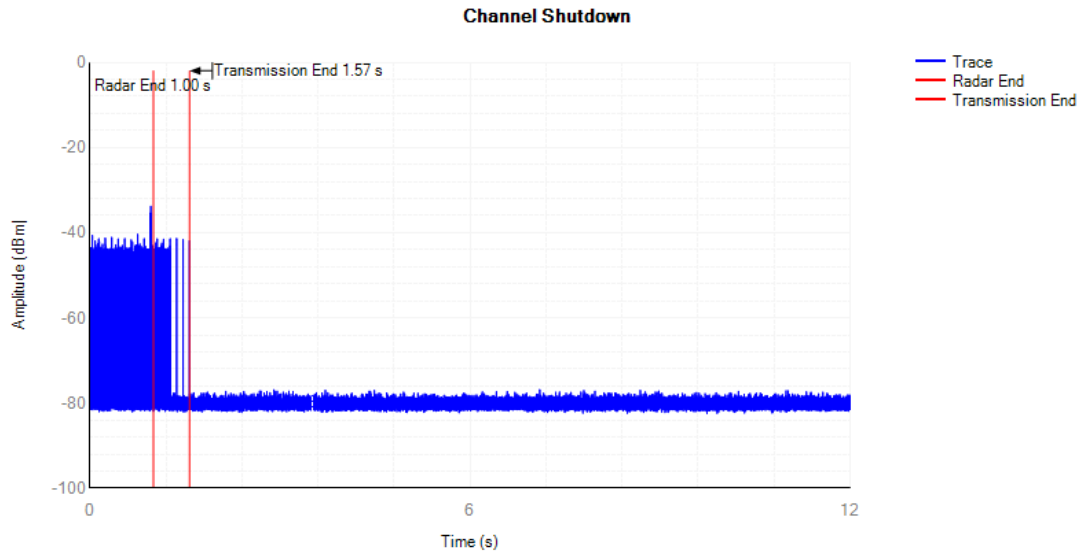
Radar Calibration



## 5.4 CHANNEL CLOSING TRANSMISSION AND CHANNEL MOVE TIME WLAN TRAFFIC

TX AC(VHT20) Mode

Radar signal 0



T0(Radar End): 1.0000 s

Time per Bin: 0.0003 s

Channel Move Time: 0.5705 s

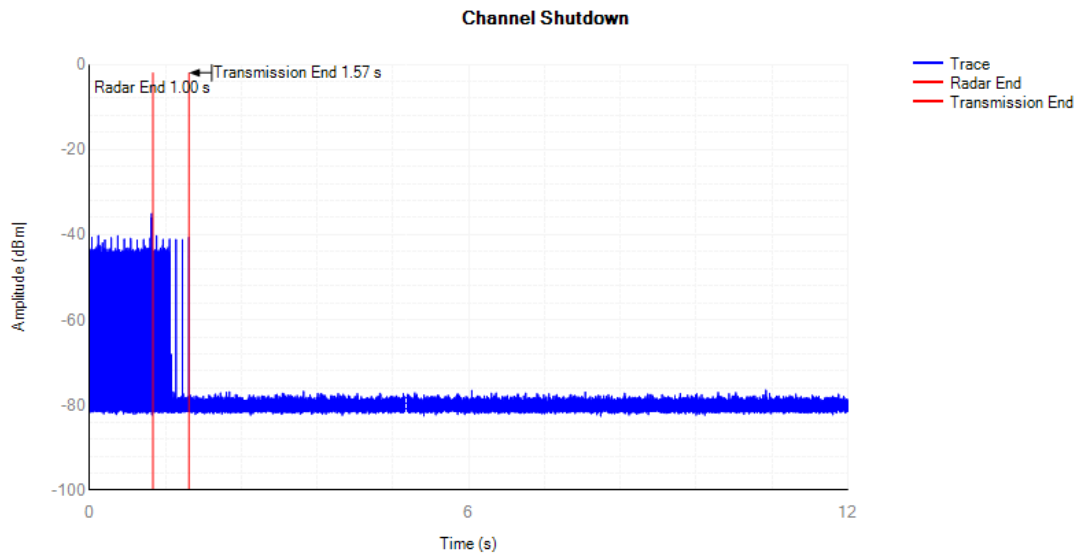
T1(Transmission End): 1.5705 s

Bins Over Threshold(T0-T1): 368

Close Transmission Time: 0.1104 s

## TX AC(VHT40) Mode

### Radar signal 0



T0(Radar End): 1.0000 s

Time per Bin: 0.0003 s

Channel Move Time: 0.5699 s

T1(Transmission End): 1.5699 s

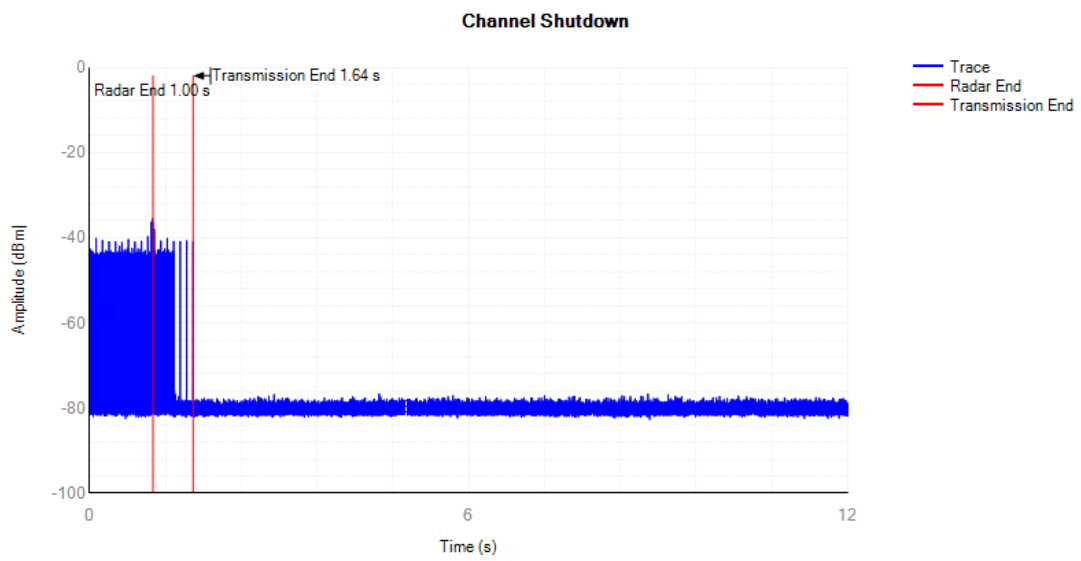
Bins Over Threshold(T0-T1): 360

Close Transmission Time: 0.1080 s



## TX AC(VHT80) Mode

### Radar signal 0



T0(Radar End): 1.0000 s

Time per Bin: 0.0003 s

Channel Move Time: 0.6359 s

T1(Transmission End): 1.6359 s

Bins Over Threshold(T0-T1): 471

Close Transmission Time: 0.1413 s

TX AC (VHT20)Mode		
Item	Measured Value(s)	Limit(s)
Channel Move Time	0.5705	10
Channel Close Time	0.1104	200 milliseconds + an aggregate of 60 milliseconds over remaining 10 second period

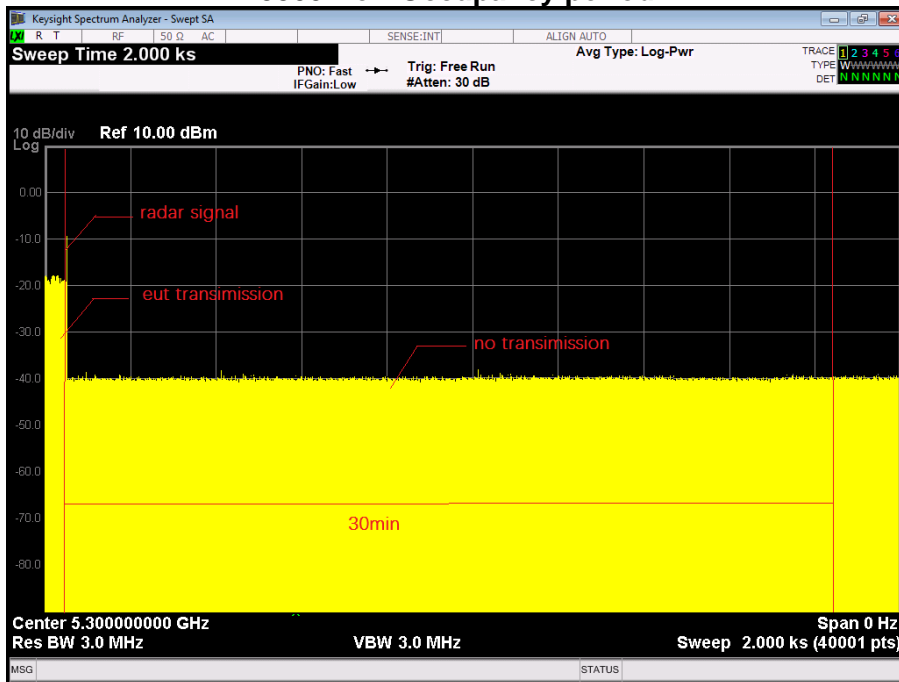
TX AC (VHT40)Mode		
Item	Measured Value(s)	Limit(s)
Channel Move Time	0.5699	10
Channel Close Time	0.1080	200 milliseconds + an aggregate of 60 milliseconds over remaining 10 second period

TX AC (VHT80)Mode		
Item	Measured Value(s)	Limit(s)
Channel Move Time	0.6359	10
Channel Close Time	0.1413	200 milliseconds + an aggregate of 60 milliseconds over remaining 10 second period

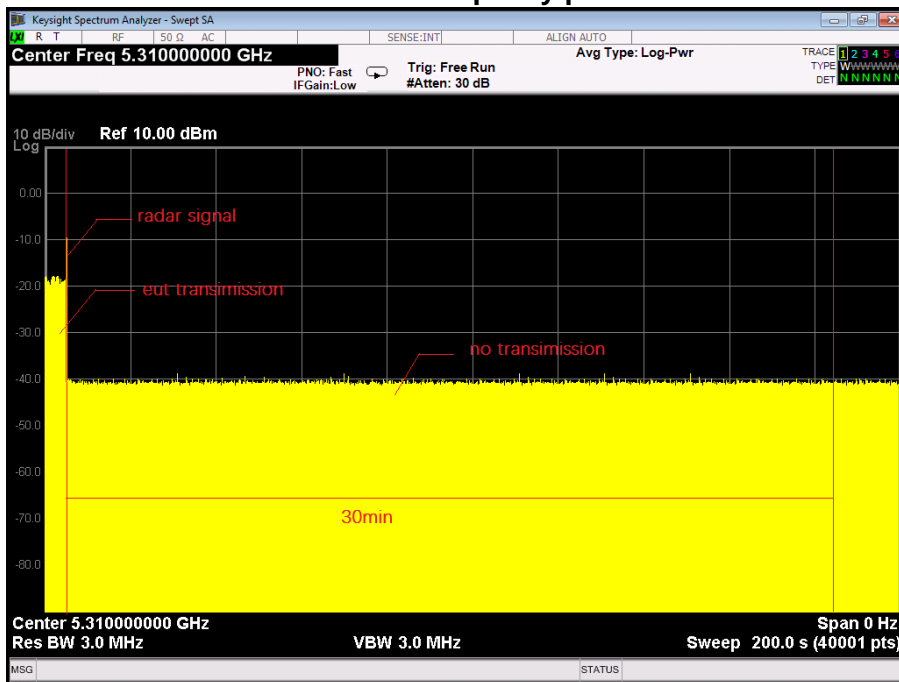
## 5.5 NON- OCCUPANCY PERIOD

During the 30 minutes observation time, UUT did not make any transmissions on a channel after a radar signal was detected on that channel by either the Channel Availability Check or the In-Service Monitoring.

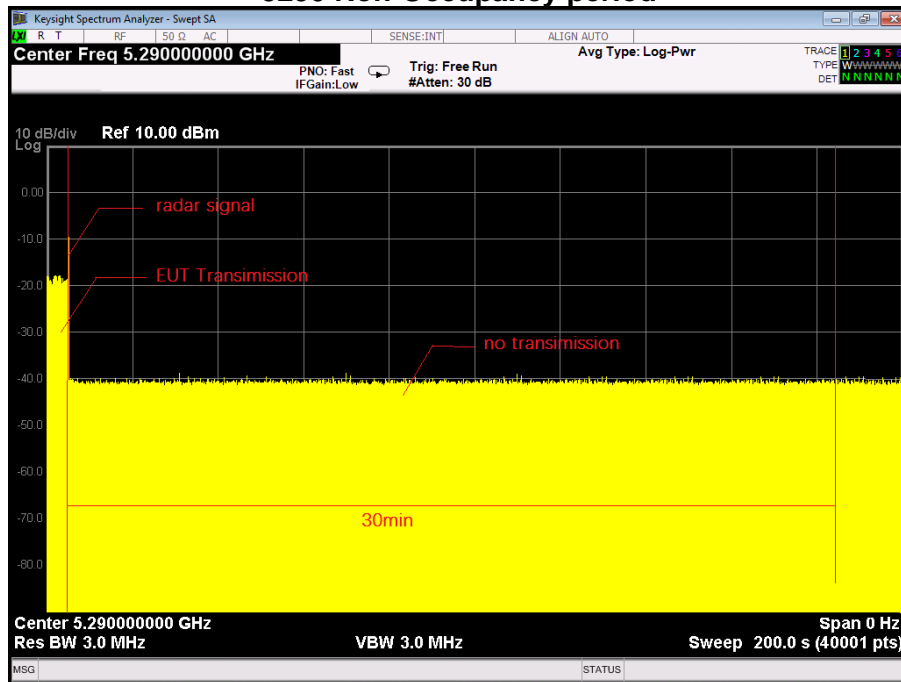
### TX AC(VHT20) Mode 5300 Non-Occupancy period



### TX AC (VHT40) Mode 5310 Non-Occupancy period



## TX AC(VHT80) Mode 5290 Non-Occupancy period



End of Test Report