

---

# Quick Installation Guide

Wireless N300 Ceiling Access Point

Model: W40AP

## Package Contents

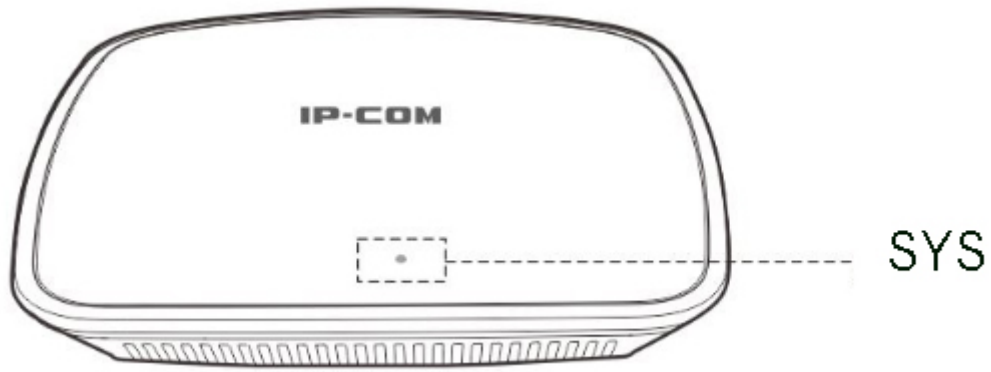
- Access point \* 1
- Bracket \* 1
- Power adapter \* 1
- Mounting accessory (including sleeve anchors and screws) \* 1
- Quick installation guide \* 1

If any item is incorrect, missing, or damaged, please keep the original package and contact the local reseller or distributor immediately.

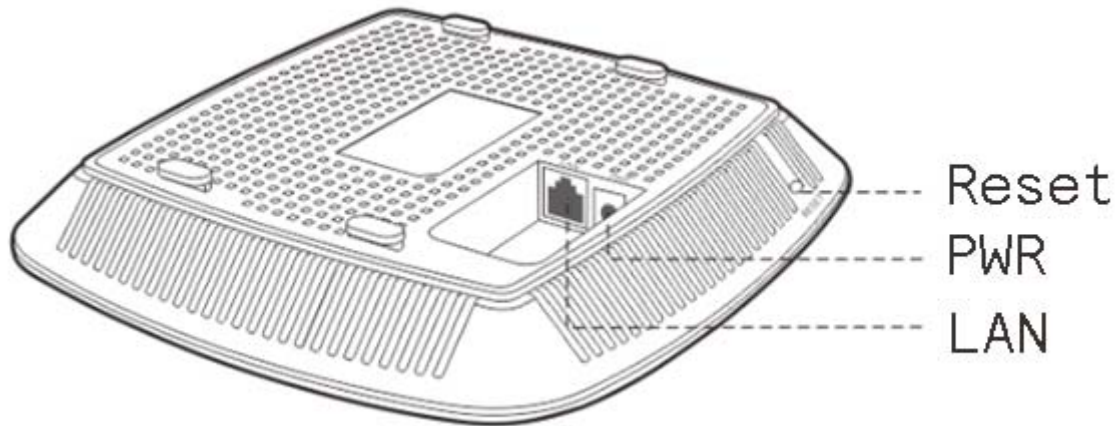
For more product or function details, please go to [www.ip-com.com.cn](http://www.ip-com.com.cn) to download the user guide.

## 1. Know Your AP

---



LED indicator	Status	Description
SYS	Solid on	<ul style="list-style-type: none"><li>• The system is starting.</li><li>• If the indicator is still solid on after the AP finishes startup, it indicates that the system is faulty.</li></ul>
	Blinking	The AP is working properly.
	Off	The AP is powered off or the LED indicator is disabled.



---

Port / Button	Description
LAN	It is a 10/100 Mbps auto-negotiation port used to transmit data or supply PoE power for the AP using Ethernet cable. PoE devices complied with IEEE 802.3af or IEEE 802.3at standard can supply power to the AP.
PWR	It is a DC power jack used to connect to the included power adapter.
RESET	It is used to reset the AP.  Method to reset: When the SYS indicator blinks, hold the <b>RESET</b> button down for about 8 seconds. The AP is reset successfully when the SYS indicator gets solid on.

---

## 2. Install the AP

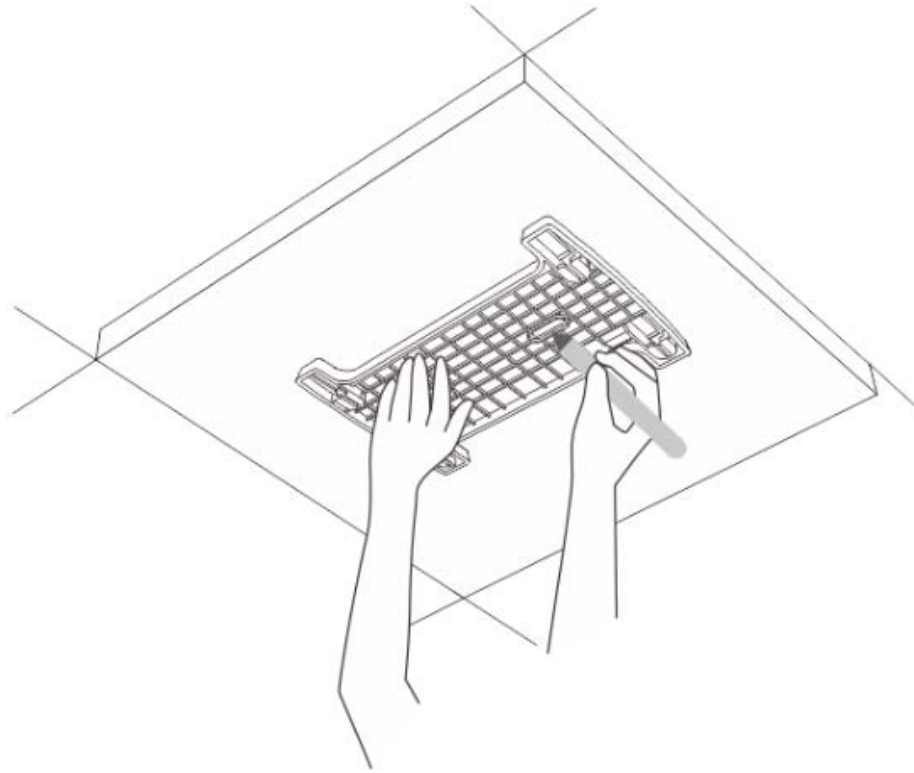
---

**Tip:**

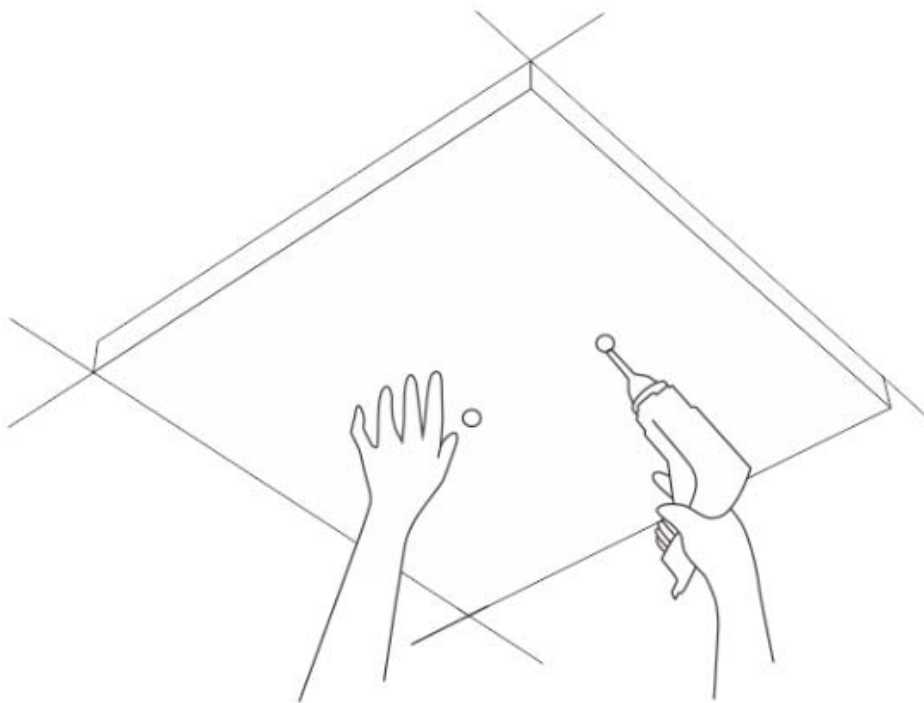
You may need a rubber hammer, a marker, a hammer drill, a drill bit, a screwdriver, and a ladder for the installation. Please prepare them yourself.

---

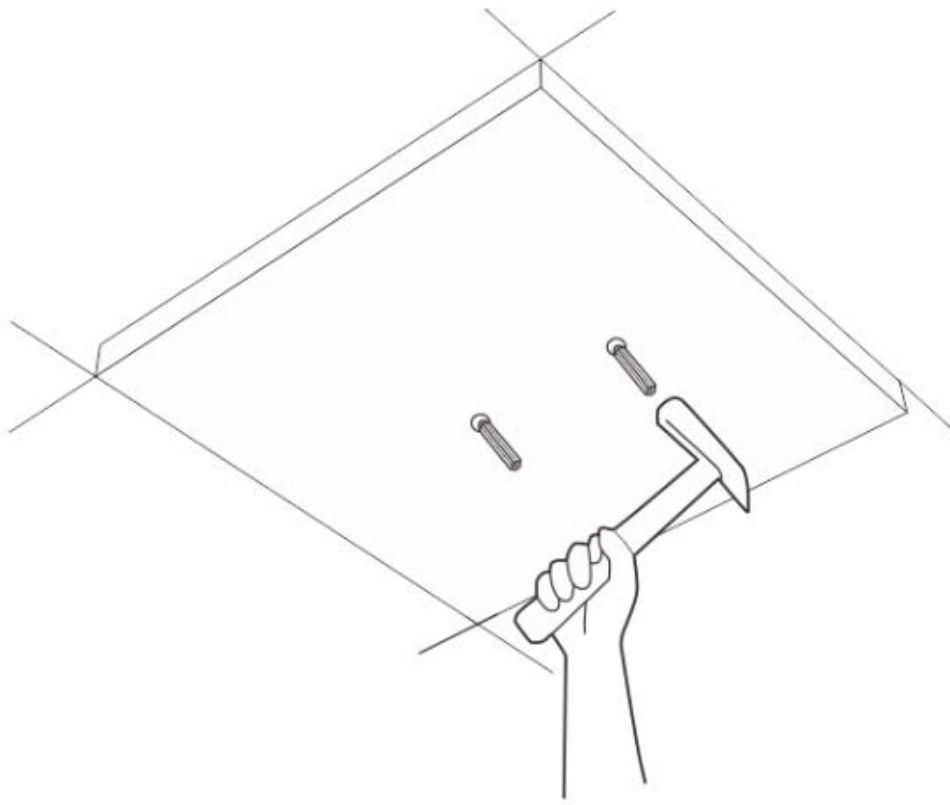
- 1 Position the bracket onto the ceiling and mark screw holes on the ceiling with the marker.



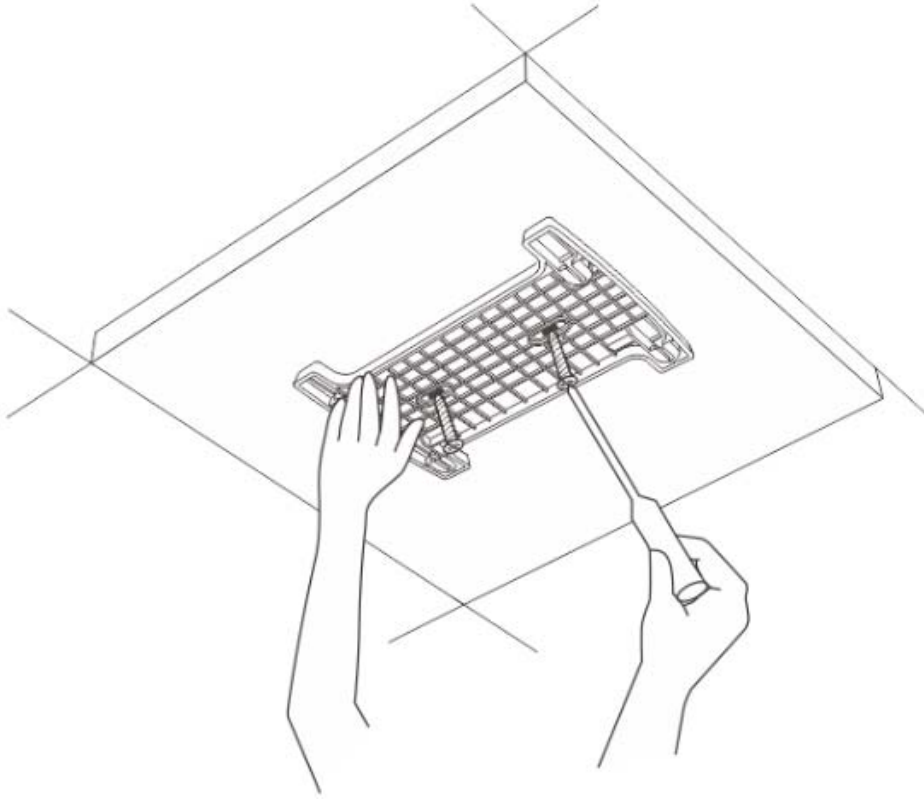
- 2 Drill holes in the marked positions using hammer drill.



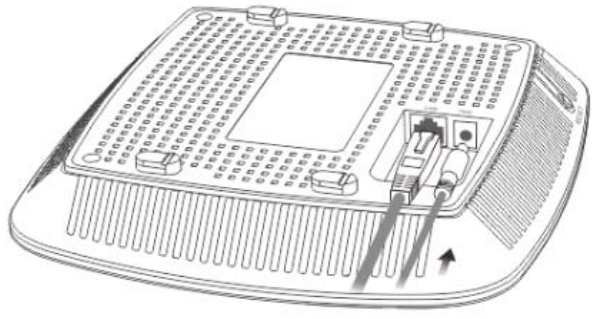
- 3 Knock the sleeve anchors into the holes using the rubber hammer.



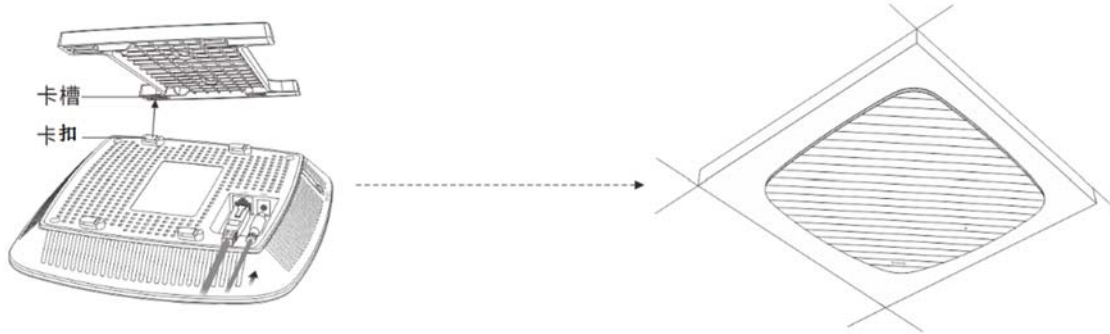
- ④ Align the screw holes with the holes in the ceiling, and then use the included screws to fix the bracket.



- 5 Connect an Ethernet cable (CAT5 or better) to the LAN port of the AP. If you choose to power on the AP by DC supply, connect the PWR port of the AP using the power adapter included in the package.



- 6 Insert the hooks of the AP into the slots of the bracket, and slide the AP to one side to make sure that the AP is fixed well in the bracket.



### 3. Set Up Your WiFi Network

**Note:** PoE supply is used as an example in all the setup instructions below.


#### Scenario 1: Set up WiFi network without a management device for IP-COM AP

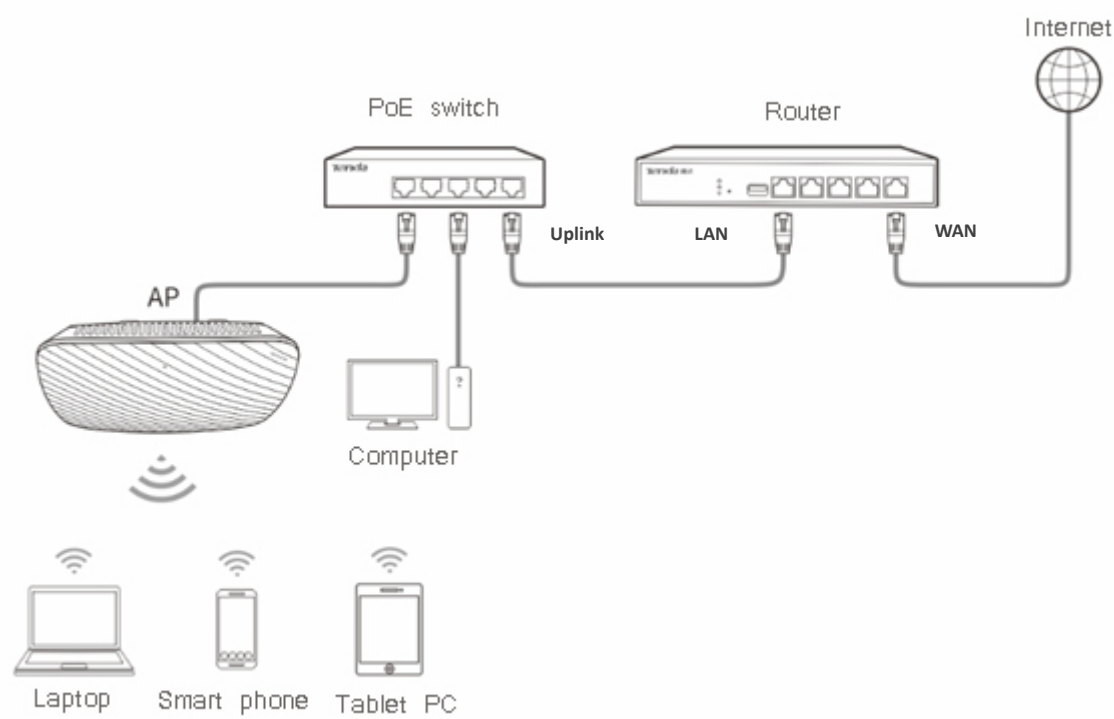
**Tip:**

Connect one AP to your PoE switch first. After configuring the AP, connect another AP, perform ③, ④, and ⑤ on it, and so on.

#### ① Connect devices

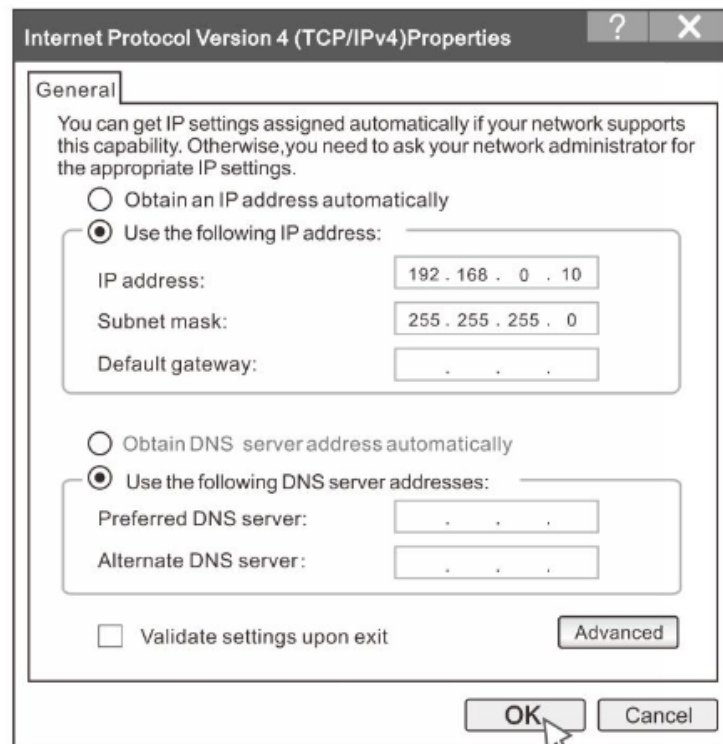
Connect your AP to a PoE port of the PoE switch using an Ethernet cable. Refer to the following figure for detailed connection.

After finishing connection, ensure that the AP's LED indicator blinks and the lower-right network icon on your computer is not displayed .



## 2 Configure the IP address of your computer (Example: Win7)

Right-click the network icon on the lower-right corner of your computer. Click **Open Network and Sharing Center, Local Area Connection**, and then **Properties**. Double-click **Internet Protocol Version 4 (TCP/IPv4)**, select **Use the following IP address**, set **IP address** to **192.168.0.x** (x: 2 to 253. The IP address in this example is 192.168.0.10) and **Subnet mask** to **255.255.255.0**, and click **OK**.



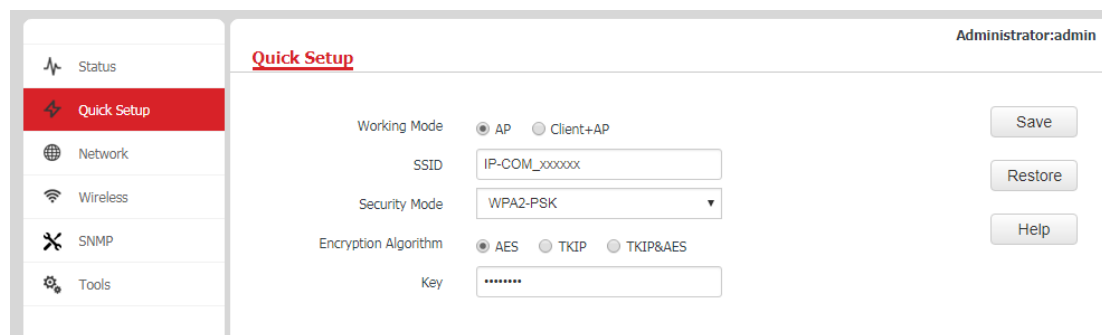
## 3 Log in to the web UI of the AP

Start a web browser on your computer, and enter the AP's management IP address (**192.168.0.254**) in the address bar, and press **Enter**. Then enter the user name and password (default: **admin/admin**) of the AP, and click **Login**.

**Tip:** If you cannot log in to the web UI of the AP, refer to **Q1** in **FAQ**.

## 4 Set WiFi name and WiFi password for the AP

Click **Quick Setup**, then configure **SSID** (WiFi name), **Security Mode** (WPA2-PSK is recommended), **Key**, and click **Save**.





- 5 **Change the IP address of the APClick Network, LAN Setup.** Change the IP address of the AP to 192.168.0.x (x: 2 to 253), and ensure that the new IP address has not been used in this network, then click **Save**. For example, you can set the new IP address of the first AP to 192.168.0.201, and the new IP address of the second AP to 192.168.0.202.

The screenshot shows the 'LAN Setup' configuration page. The left sidebar contains navigation options: Status, Quick Setup, Network, LAN Setup (highlighted), DHCP Server, Wireless, SNMP, and Tools. The main content area is titled 'LAN Setup' and includes the following fields and controls:

- MAC Address: C8:3A:35:84:33:20
- IP Address Type: Static (dropdown menu)
- IP Address: [Empty text box with a red border] Example: 192.168.1.254
- Subnet Mask: 255.255.255.0 Example: 255.255.255.0
- Gateway: 192.168.0.1
- Primary DNS Server: 8.8.8.8
- Secondary DNS Server: 8.8.4.4 (optional)
- AP Name: W40APV9.0
- Driving Capability of Port:  Standard  Enhanced (lower port speed)

On the right side, there are three buttons: Save, Restore, and Help. The top right corner of the page indicates the user is logged in as 'Administrator:admin'.

Wait a moment for the settings to take effect. Now you can access the internet by connecting your wireless devices to the AP's WiFi network.

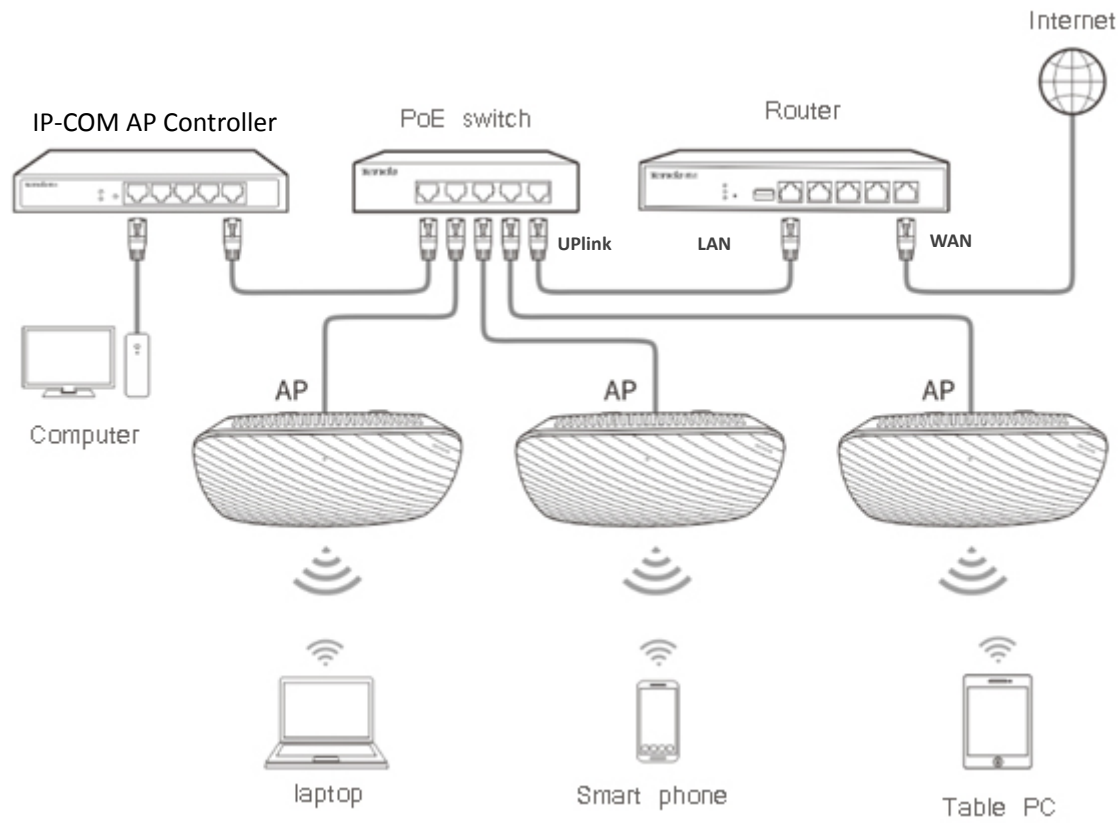
WiFi name: The SSID you set in step 4 .

WiFi password: The key you set in step 4 .

## Scenario 2: Set up WiFi network with an IP-COM AP Controller

### 1 Connect devices

Use Ethernet cables to connect APs to the PoE ports of the switch, and your computer to the IP-COM AP Controller (AC). Refer to the following figure for detailed connection.



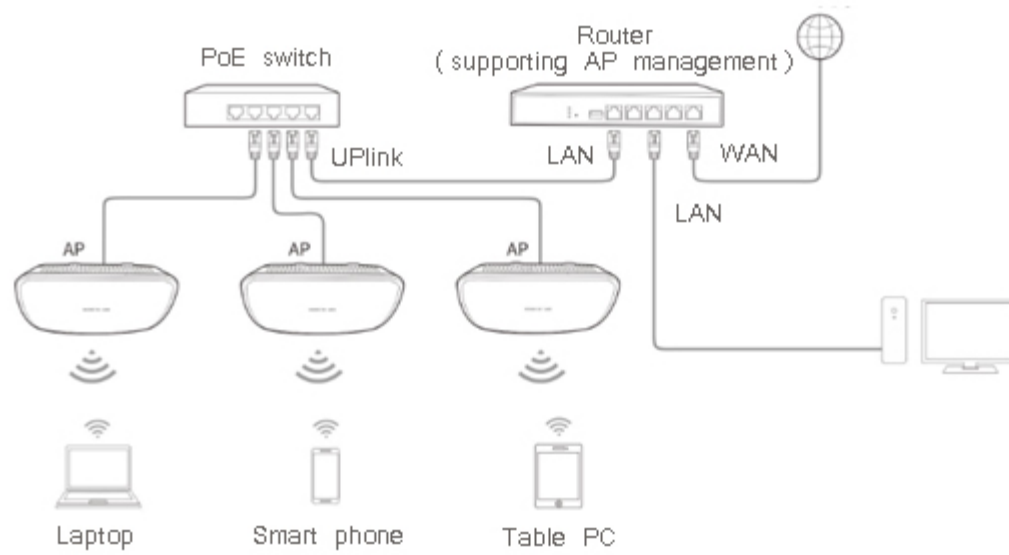
### 2 Configure APs

In order to configure your APs, start a web browser on your computer and log in to the web UI of the **AC**. Refer to your AC's user guide for detailed configuration instructions.

### Scenario 3: Set up WiFi network with an IP-COM router that can manage APs

#### 1 Connect devices

Use Ethernet cables to connect APs to the PoE ports of the switch, and your computer to the IP-COM router. Refer to the following figure for detailed connection.



#### 2 Configure APs

In order to configure your APs, start a web browser on your computer and log in to the web UI of your **router**. Refer to the router's user guide for detailed configuration instructions.

---

## FAQ

### Q1: I cannot access the web UI of the AP after entering 192.168.0.254. What should I do?

A1: Try the following solutions and log in again:

- Ensure that all your Ethernet cables are properly connected.
- If there is no AC or IP-COM router in the network, ensure that the IP address of your computer has been set to 192.168.0.x (x: 2 to 253), and the IP address is not used by any other devices in the same network.
- Clear the cache of your web browser or replace the web browser.
- Disable the firewall of your computer or replace your computer.
- If two or more APs are connected in the network without an AC / IP-COM router, you should leave only one AP in the network first and set a new IP address 192.168.0.x (x: 2 to 253) for the AP. Then repeat this procedure to change the IP addresses of the other APs. Meanwhile, make sure that the IP address of your computer is in the same network segment with your APs' new IP addresses. Then try logging in to the web UI of your APs using their new IP addresses.
- If the AP has been managed by the AC or IP-COM router in the network, the AP's IP address may be no longer 192.168.0.254. In that case, go to the web UI of the **AC / router** to view the new IP address of the AP, and then log in to the AP's web UI using the new IP address.
- If the problem still persists, hold the **RESET** button down for 8 seconds to restore the AP to factory settings, and then try logging in again.

### Q2: My AP controller (AC) cannot find my AP. What should I do?

A2: Check the following items:

- Ensure that all the devices in the network are connected well and the LED of the AP blinks.
- If VLANs have been defined in your network, verify that the corresponding VLAN has been added to your AP controller.
- Reboot your AP.
- Ensure that the firmware versions of your AP and AC are the latest firmware versions available on [www.ip-com.com.cn](http://www.ip-com.com.cn).
- Reset your AP.

Method to reset: When the SYS indicator blinks, hold down the **RESET** button for about 8 seconds. The AP is reset successfully when the SYS indicator gets solid on.



#### CE Mark Warning

This is a Class B product. In a domestic environment, this product may cause radio interference, in which case the user may be required to take adequate measures.

This equipment should be installed and operated with minimum distance 20cm between the radiator & your body.

The mains plug is used as disconnect device, the disconnect device shall remain readily operable.

**NOTE:** (1) The manufacturer is not responsible for any radio or TV interference caused by unauthorized modifications to this equipment. (2) To avoid unnecessary radiation interference, it is recommended to use a shielded RJ45 cable.

#### Declaration of Conformity

Hereby, IP-COM NETWORKS Co., LTD. declares that the radio equipment type W40AP is in compliance with Directive 2014/53/EU.

The full text of the EU declaration of conformity is available at the following internet address:

<http://www.ip-com.com.cn/en/ce.html>

Operate Frequency: 2.4GHz: EU/2.412GHz-2.472GHz

EIRP Power (Max.): 2.4GHz: 19.81 dBm

Software Version: V1.0.0.1




Adapter Model: BN036-A12012E, BN036-A12012B

Manufacture: SHENZHEN HEWEISHUN NETWORK TECHNOLOGY Co., LTD.

Input: 100-240 V AC, 50/60 Hz, 0.4 A

Output: 12 V DC 1 A

 : DC Voltage



#### **FCC Statement**

This equipment has been tested and found to comply with the limits for a Class B digital device, pursuant to Part 15 of the FCC Rules. These limits are designed to provide reasonable protection against harmful interference in a residential installation. This equipment generates, uses and can radiate radio frequency energy and, if not installed and used in accordance with the instructions, may cause harmful interference to radio communications. However, there is no guarantee that interference will not occur in a particular installation. If this equipment does cause harmful interference to radio or television reception, which can be determined by turning the equipment off and on, the user is encouraged to try to correct the interference by one or more of the following measures:

- Reorient or relocate the receiving antenna.
- Increase the separation between the equipment and receiver.
- Connect the equipment into an outlet on a circuit different from that to which the receiver is connected.
- Consult the dealer or an experienced radio/TV technician for help.

This device complies with Part 15 of the FCC Rules. Operation is subject to the following two conditions: (1) this device may not cause harmful interference, and (2) this device must accept any interference received, including interference that may cause undesired operation.

#### **Radiation Exposure Statement**

This device complies with FCC radiation exposure limits set forth for an uncontrolled environment and it also complies with Part 15 of the FCC RF Rules.

This equipment should be installed and operated with minimum distance 20cm between the radiator & your body.

#### **Caution:**

Any changes or modifications not expressly approved by the party responsible for compliance could void the user's authority to operate this equipment.

This transmitter must not be co-located or operating in conjunction with any other antenna or transmitter.

**NOTE:** (1) The manufacturer is not responsible for any radio or TV interference caused by unauthorized modifications to this equipment. (2) To avoid unnecessary radiation interference, it is recommended to use a shielded RJ45 cable.

Operating temperature: -10°C – 45°C

Operating humidity: (10%– 90%)RH (non-condensing)

---

## RECYCLING

This product bears the selective sorting symbol for Waste electrical and electronic equipment (WEEE). This means that this product must be handled pursuant to European directive 2012/19/EU in order to be recycled or dismantled to minimize its impact on the environment.

User has the choice to give his product to a competent recycling organization or to the retailer when he buys an new electrical or electronic equipment.

## **Copyright**

Copyright © 2018 IP-COM Networks Co., Ltd. All rights reserved.

IP-COM is a registered trademark legally held by IP-COM Networks Co., Ltd. Other brand and product names mentioned herein are trademarks or registered trademarks of their respective holders. Specifications are subject to change without notice.