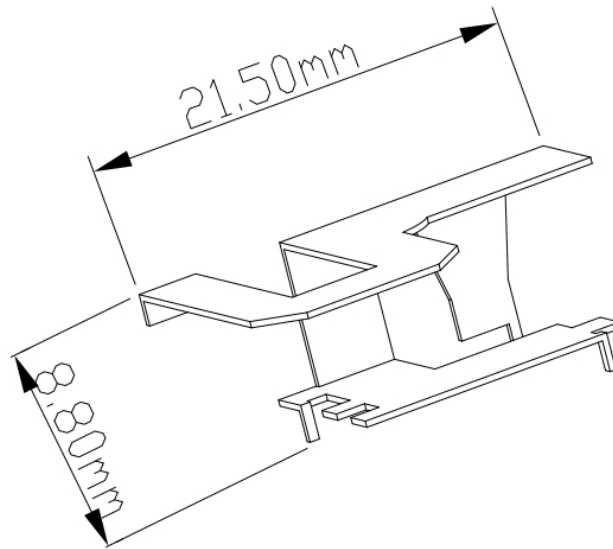


## Measurement of Antenna for Pro-6-Mini Project

Manufacture: SHENZHEN TENDA TECHNOLOGY CO., LTD.

Model: Pro-6-Mini Antenna

### 1. Antenna Appearance:



### 2. Electrical performance test results at normal temperature

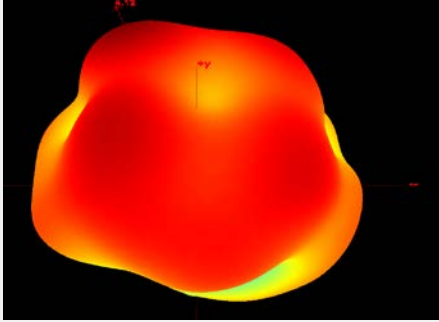
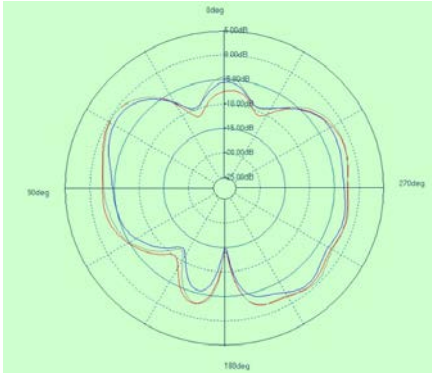
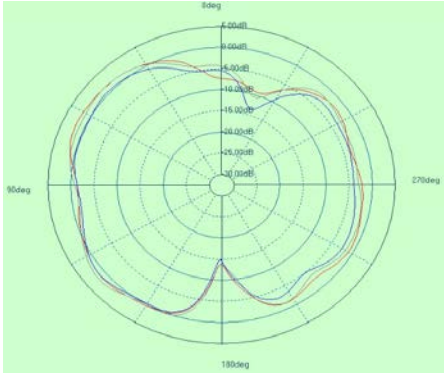
**a) 2. 4G**

No	Test Item	Unit	Demand Performance	Test Result		Judgement
1	Frequency Range	MHz	2400-2500	2400-2500		OK
2	Gain	dBi	4	2400MHz	4.25	OK
				2450MHz	4.22	OK
				2500MHz	4.19	OK
4	Return loss	dB	$\leq -10$	2400	-11	OK
				2450	-12	OK
				2500	-10	OK

**B) 5G**

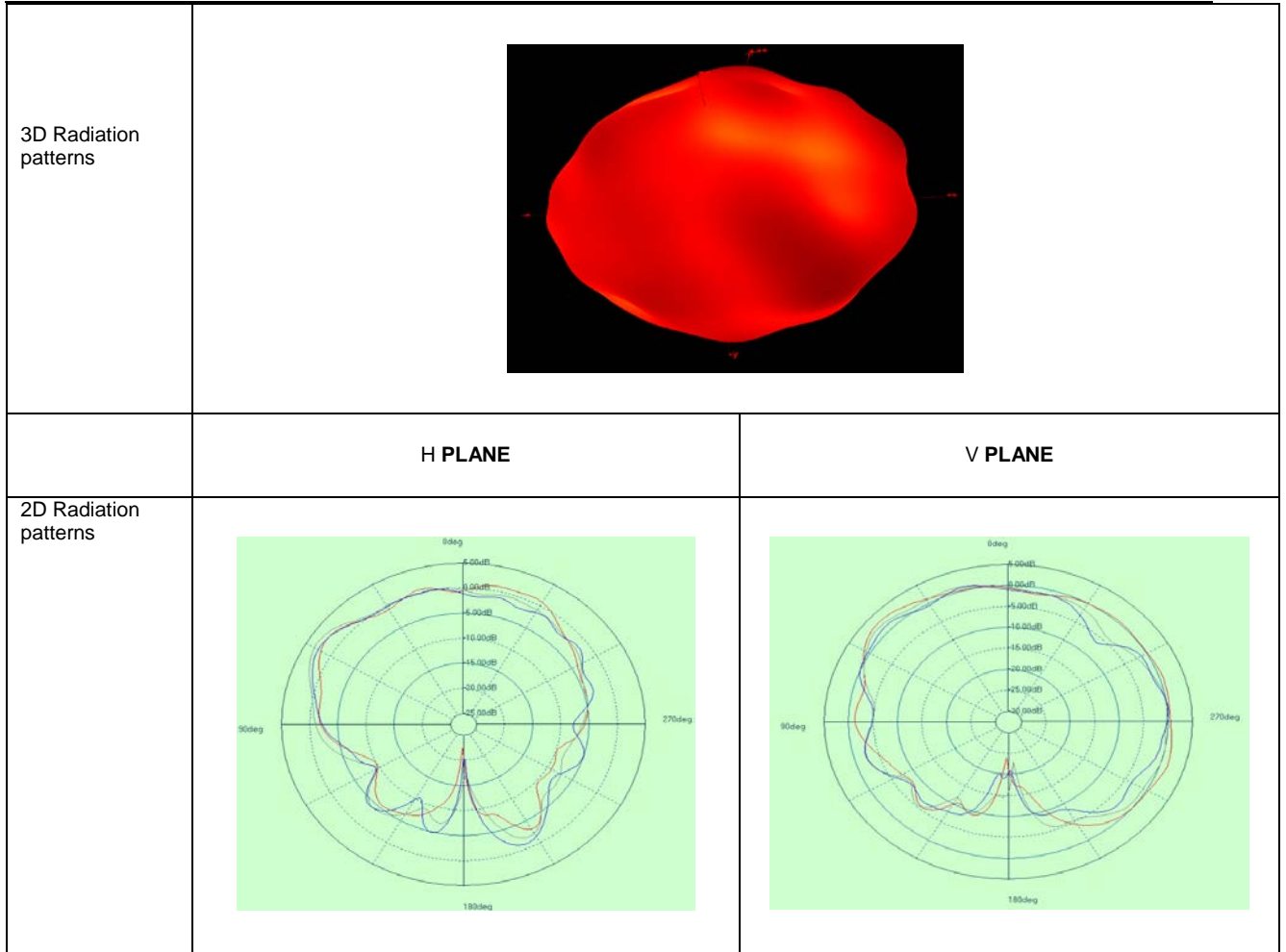
No	Test Item	Unit	Demand Performance	Test Result		Judgement
1	Frequency Range	MHz	5150-5850	5150-5850		OK
2	Gain	dBi	6	5150	4.13	OK
				5500	4.05	OK
				5850	4.26	OK
3	Return loss	dB	$\leq -10$	5150	-17	OK
				5500	-14	OK
				5850	-19	OK

### Directional diagram for 2.4GHz

EUT		
Remark		
Frequency	E Total. dB(dB)	Efficiency( )
2410MHz	4.25	78%
2450MHz	4.22	76%
2490MHz	4.19	75%
3D Radiation patterns		
	<b>H PLANE</b>	<b>V PLANE</b>
2D Radiation patterns		

### Directional diagram for 5GHz

Frequency	E Total. dB(dBi)	Efficiency( )
5150MHz	4.13	73%
5500MHz	4.05	70%
5850MHz	4.26	69%



## Return loss test

