

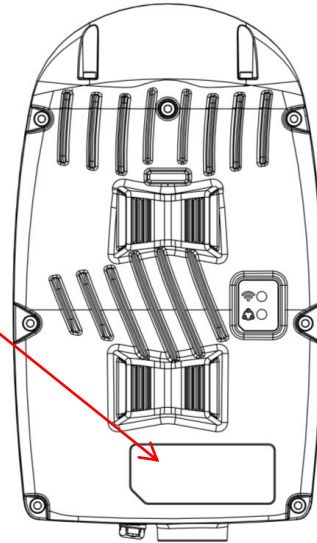
W: 64.00mm  
H: 26.00mm

**mimosa**  
*by Airspan*

FCC ID: 2ABZJ-100-00109  
IC: 11823A-10000109 CE X

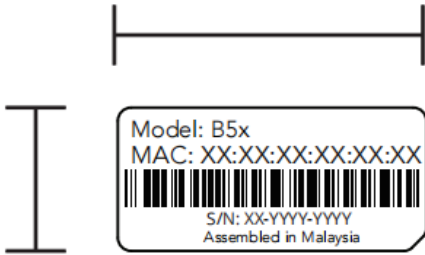
This device complies with Part 15 of the FCC Rules. Operation is subject to the following two conditions:  
(1) this device may not cause harmful interference, and  
(2) this device must accept any interference received, including interference that may cause undesired operation.


Airspan Networks Inc.  
Boca Raton, FL, USA



28mm +/- 0.15mm

13mm +/- 0.15mm



Model: B5x  
MAC: XX:XX:XX:XX:XX:XX  
  
S/N: XX-YYYY-YYYY  
Assembled in Malaysia