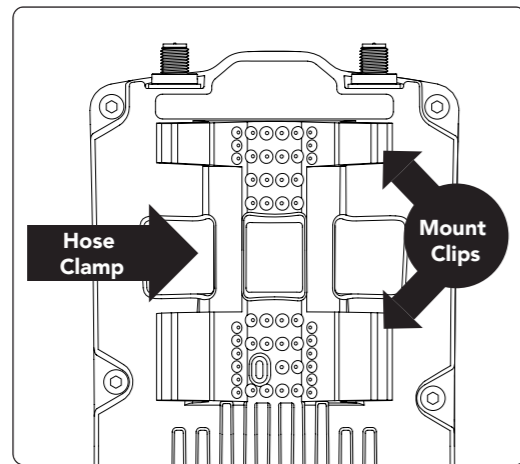




A5x

### 1. Mounting

Using a hose clamp style pole strap, attach the A5x to the desired pole by inserting the straps through the slot in the mounting bracket, and tighten the strap. Alternatively, attach the device to any antenna which supports the integrated mounting clips shown below.

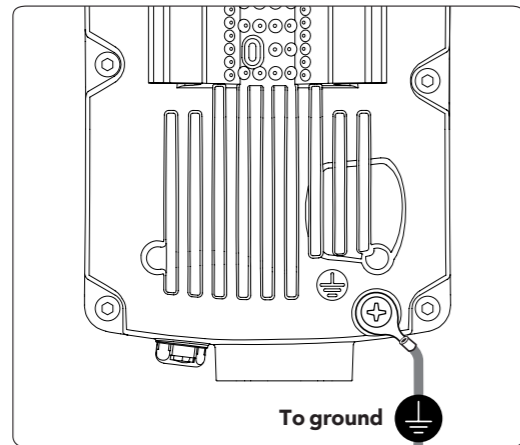


Flexible PTMP Access Point with GPS/GLONASS Spectrum Reuse Sync

Instructions, videos and help can be found at: [mimosa.co/support](http://mimosa.co/support)

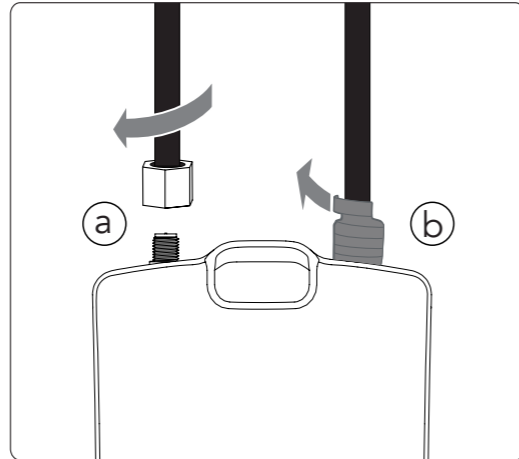
### 2. Grounding

Use minimum 10 AWG (5.26 mm<sup>2</sup>) ground wire with a ring terminal style connector and attach to the provided grounding lug on the A5x. The ground wire should be no longer than 1 m in length.



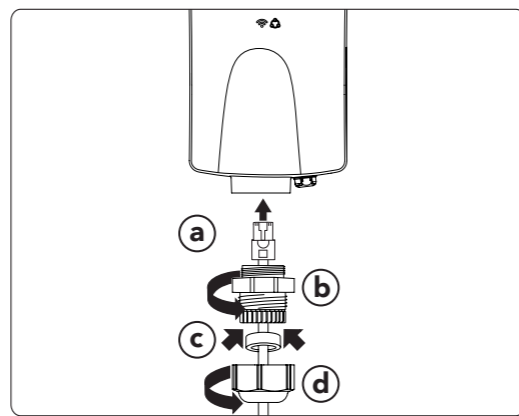
### 3. Antenna Connection

Connect two (2) RP-SMA male type jumper cables between the chosen antenna and the A5x and tighten as shown below. It is recommended to optionally seal the connectors with mastic tape for weatherproofing.



### 4. Connect Ethernet

Connect a shielded CAT6/6A Ethernet cable (not included) to the device, inserting it through the M25 cable sealing gland components and tighten as shown in the diagram below. Connect the other end of the Ethernet cable to a passive PoE power supply (the A5x supports passive 24-57 VDC PoE input).



### Safety, Warranty, & Compliance

#### Export Control

These commodities, technology, or software were exported from the United States in accordance with the Export Administration Regulations. Diversion contrary to U.S. law is prohibited.

#### Important Safety and Handling Information

Failure to follow any of the safety instructions in this guide, instructions on any Airspan Networks Inc. ("Airspan") provided packaging, and heed WARNINGS (indicated by ⚠), could result in fire, electric shock, other injury or death, and incur damage to this product or other property and void the product's Limited Warranty.

There are no End User serviceable parts inside the equipment.

Read all operating and safety instructions contained herein and accompanying the product as provided by Airspan:

#### Safety Information

- ⚠ Do not operate this product in any location that can be submerged by water.
- ⚠ Do not install or maintain this product during the presence of an electrical storm to avoid risk of electric shock from lightning.
- ⚠ Only use plastic (non-metallic) M25 cable sealing glands to ensure comfortable surface temperature.
- ⚠ Failure to use shielded CAT6/6A Ethernet cabling AND to ground the device in compliance with local and national electrical codes could lead to serious injury or death.
- ⚠ This device accepts passive Power over Ethernet 24-57 VDC powering. Connecting to any power source that does not meet the voltage, frequency and current requirements listed may damage the power supply or product, and pose a fire hazard.
- ⚠ Maximum ambient operating temperature is +55°C. Do not operate this product above +55°C ambient temperature.

#### End User Product Warranty

Mimosa products purchased from Airspan are warranted against defects in material, and workmanship for a period of either (i) twelve (12) months from the date of activation, or (ii) thirty-six (36) months from the original date of shipment, whichever is earlier. Please go to [www.mimosa.co/warranty](http://www.mimosa.co/warranty) to determine whether your product is in warranty.

The sole responsibility of Airspan under this warranty shall be limited to the repair or replacement of in-warranty defective product, at Airspan's sole option.

Out of warranty products shipped to Airspan will not be returned. This warranty does not cover costs associated with the removal and/or reinstallation of the product for repair nor for any parts that are readily replaced in normal use.

Airspan or its designated partner will repair or replace product found to be defective during the defined warranty period.

The End User is responsible for delivering defective product in accordance with the Return Material Authorization (RMA) processes published at [www.mimosa.co/legal/RMA](http://www.mimosa.co/legal/RMA)

#### Limitation of Warranty

The contractual product warranty is invalidated if the product is altered or otherwise tampered with in a manner that modifies the product from its original shipping configuration and/or form factor, and could

violate the regulatory authority to operate the equipment, unless said activity was performed by or with the written authorization of a Airspan representative.

#### Modifications include:

- (a) External surfaces that have been painted, labeled, or otherwise modified from the original shipping condition.
- (b) Modifications of the product with third party hardware, firmware, and/or software.
- (c) Any product subjected to abnormal physical or electric stress, including, but not limited to, lightning strikes, negligence, accident, or misuse.
- (d) Any product damaged due to incorrect installation, including, but not limited to, mounting, grounding, cabling, connectors, or connection to power.
- (e) Failure induced by connected third party products.

Failure to use minimum grade CAT6/6A shielded Ethernet cable, or violation of local and national electric code grounding and premises ESD protection requirements for outdoor installations will void the product warranty.

#### FCC

This device complies with part 15 of the FCC Rules. Operation is subject to the following two conditions:

- (1) This device may not cause harmful interference, and
- (2) this device must accept any interference received, including interference that may cause undesired operation.

NOTE: This equipment has been tested and found to comply with the limits of a Class B digital device, pursuant to Part 15 of the FCC Rules. These limits are designed to provide reasonable protection against harmful interference when the equipment is operated in a residential environment. This equipment generates, uses, and radiates radio frequency energy, and if not installed and used in accordance with the instructions, may cause harmful interference. However, there is no guarantee that interference will not occur. If this equipment does cause interference to radio or television reception, which can be determined by turning the equipment off and on, the user is encouraged to correct the interference by one of the following measures:

- Reorient or relocate the receiving antenna.
- Increase separation between the equipment and receiver.
- Connect the equipment to an outlet on a circuit different from which the receiver is connected.
- Consult the dealer or an experienced radio/TV technician.

Dipole antennas may only be used indoors.

The installer is responsible for ensuring that systems employing high gain directional antennas are used exclusively for fixed, point-to-point operations.

#### Industry Canada

This Class A digital apparatus complies with Canadian CAN ICES-3(A). This Class B digital apparatus complies with Canadian CAN ICES-3(B). Cet appareil numérique de la classe B est conforme à la norme NMB-3(B) Canada.

Under Industry Canada regulations, this radio transmitter may only operate using an antenna of a type and maximum (or lesser) gain approved for the transmitter by Industry Canada. To reduce potential radio interference to other users, the antenna type and its gain should be so chosen that the equivalent isotropically radiated power (e.i.r.p.) is not more than that necessary for successful communication. Pour réduire le risque d'interférence aux autres utilisateurs, le type

d'antenne et son gain doivent être choisis de façon que la puissance isotrope rayonnée équivalente (PIRE) ne dépasse pas ce qui est nécessaire pour une communication réussie.

This device complies with Industry Canada licence-exempt RSS standard(s). Operation is subject to the following two conditions: (1) this device may not cause interference, and (2) this device must accept any interference, including interference that may cause undesired operation of the device.

Cet appareil est conforme à la norme RSS Industrie Canada exempts de licence norme(s). Son fonctionnement est soumis aux deux conditions suivantes:

(1) Cet appareil ne peut pas provoquer d'interférences et (2) Cet appareil doit accepter toute interférence, y compris les interférences qui peuvent causer un mauvais fonctionnement du dispositif.

Operation in the 5150-5250 MHz band is restricted to indoor use. Maximum antenna gain permitted for the 5725-5850 MHz band shall be such that the equipment complies with the maximum e.i.r.p. limits specified for point-to-point and non-point-to-point operation. When mounting the radio antenna, in accordance with the ICES-3(B) band requirements in section 6.2.2, the antenna must not exceed elevation angles skyward that would exceed radiated emissions limits.

Le fonctionnement dans la bande 5150-5250 MHz est limité à une utilisation en intérieur. Le gain d'antenne maximum autorisé pour la bande 5725-5850 MHz doit être tel que l'équipement soit conforme à la valeur e.i.r.p. maximum. limites spécifiées pour le fonctionnement point à point et non point à point. Lors du montage de l'antenne radio, conformément aux exigences de la bande ICES-3 (B) de la section 6.2.2, l'antenne ne doit pas dépasser des angles d'élévation vers le ciel qui dépasseraient les limites d'émissions rayonnées.

This radio transmitter 11823A-10000107 has been approved by Innovation, Science and Economic Development Canada to operate with the antenna types listed below, with the maximum permissible gain indicated. Antenna types not included in this list and having a gain greater than the maximum gain indicated for that type, are strictly prohibited for use with this device.

- 14 dBi horn antenna, 50 Ohm impedance
- 5 dBi dipole antenna, 50 Ohm impedance

Cet émetteur radio 11823A-10000107 a été approuvé par Innovation, Sciences et Développement Économique Canada pour fonctionner avec les types d'antennes énumérés ci-dessous, avec le gain maximum autorisé indiqué. Les types d'antennes non inclus dans cette liste et ayant un gain supérieur au gain maximum indiqué pour ce type, sont strictement interdits pour une utilisation avec cet appareil.

- 14 dBi horn antenne, 50 Ohm impédance
- 5 dBi dipôle antenne, 50 Ohm impédance

#### European Compliance Statement

CE Marking on this product represents that this product complies with all requirements that are applicable to it.

#### Europe EU Declaration of Conformity

This device can be used in the European Community. A copy of the EU Declaration of Conformity is available at: <http://bit.ly/Airspan-EU>

Български (Bulgarian) - Airspan Networks Inc. декларира, че това Airspan Networks Inc. приспособление е в съответствие със съществените изисквания и другите приложими правила на

#### Директива 2014/53/EU.

Česky (Czech) - Společnost Airspan Networks Inc. tímto prohlašuje, že tento Airspan Networks Inc. zařízení je ve shodě se základními požadavky a dalšími příslušnými ustanoveními směrnice 2014/53/EU.

Dansk (Danish) - Undertegnede Airspan Networks Inc. erklærer herved, at følgende udstyr Airspan Networks Inc. enhed overholder de væsentlige krav og øvrige relevante krav i direktiv 2014/53/EU.

Deutsch (German) - Hiermit erkläre Airspan Networks Inc., dass sich das Airspan Networks Inc. Gerät in Übereinstimmung mit den grundlegenden Anforderungen und den übrigen einschlägigen Bestimmungen der Richtlinie 2014/53/EU befinden.

Eesti (Estonian) - Käesolevaga kinnitab Airspan Networks Inc., et see Airspan Networks Inc. seade vastab direktiivi 2014/53/EU põhinõuetele ja nimetatud direktiivist tulenevatele teistele asjakohastele sätetele.

English - Hereby, Airspan Networks Inc. declares that this Airspan Networks Inc. device is in compliance with the essential requirements and other relevant provisions of Directive 2014/53/EU.

Español (Spanish) - Por medio de la presente Airspan Networks Inc. declara que este Airspan Networks Inc. dispositivo cumple con los requisitos esenciales y cualesquiera otras disposiciones aplicables o exigibles de la Directiva 2014/53/EU.

Ελληνικά (Greek) - Με την παρούσα, η Airspan Networks Inc. δηλώνει ότι αυτή η συσκευή Airspan Networks Inc. συσκευή συμμορφώνεται προς τις βασικές απαιτήσεις και τις λοιπές σχετικές διατάξεις της Οδηγίας 2014/53/EU.

Français (French) - Par la présente Airspan Networks Inc. déclare que ce Airspan Networks Inc. appareil est conforme aux exigences essentielles et aux autres dispositions pertinentes de la directive 2014/53/EU.

Islenska (Icelandic) - Airspan Networks Inc. lýsir því hér með yfir að þetta Airspan Networks Inc. tæki fullnægir lágmarkskröfum og öðrum viðeigandi ákvæðum Evróputilskipunar 2014/53/EU.

Italiano (Italian) - Con la presente Airspan Networks Inc. dichiara che questo Airspan Networks Inc. dispositivo è conforme ai requisiti essenziali ed alle altre disposizioni pertinenti stabilite dalla direttiva 2014/53/EU.

Latviski (Latvian) - Ar šo Airspan Networks Inc. deklarē, ka šis Airspan Networks Inc. ierīce atbilst Direktīvas 2014/53/EU būtiskajām prasībām un citiem ar to saistītajiem noteikumiem.

Lietuvių (Lithuanian) - Šiuo „Airspan Networks Inc.“ deklaruoja, kad šis Airspan Networks Inc. atitinka esminius reikalavimus ir kitas 2014/53/EU Direktyvos nuostatas.

Magyar (Hungarian) - Alulírott, Airspan Networks Inc. nyilatkozom, hogy a Airspan Networks Inc. eszköz megfelel a vonatkozó alapvető követelményeknek és az 2014/53/EU irányelv egyéb előírásainak.

Malti (Maltese) - Hawnhekk, Airspan Networks Inc., jiddikjara li dan Airspan Networks Inc. taghmir jikkonforma mal-htigijiet essenzjali u ma provvedimenti oħrajn rilevanti li hemm fid-Direttiva 2014/53/EU.

Nederlands (Dutch) - Hierbij verklaart Airspan Networks Inc. dat dit Airspan Networks Inc. toestel in overeenstemming is met de essentiële eisen en de andere bepalingen van richtlijn 2014/53/EU.

Norsk (Norwegian) - Airspan Networks Inc. erklærer herved at dette Airspan Networks Inc. apparatet er i samsvar med de grunnleggende kravene og øvrige relevante krav i EU-direktivet 2014/53/EU.

Polski (Polish) - Niniejszym Airspan Networks Inc. oświadczam, że ten Airspan Networks Inc. urządzenie są zgodne z zasadniczymi wymogami oraz pozostałymi stosownymi postanowieniami Dyrektywy 2014/53/EU.

Português (Portuguese) - Airspan Networks Inc. declara que este Airspan Networks Inc. dispositivo está em conformidade com os requisitos essenciais e outras disposições da Directiva 2014/53/EU.

