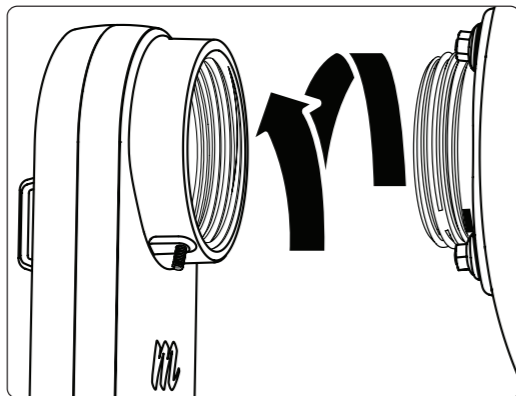


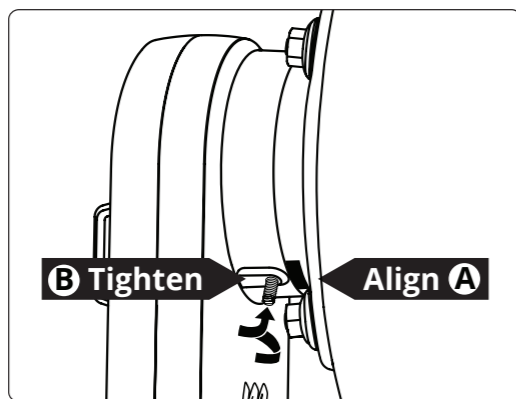
Instructions, videos and help at mimosa.co/support

C5x 1. Attach Antenna

Mount the antenna clockwise twisting into the Mimosa C5x radio. Hand tighten until the O-ring seal is seated in the C5x collar.



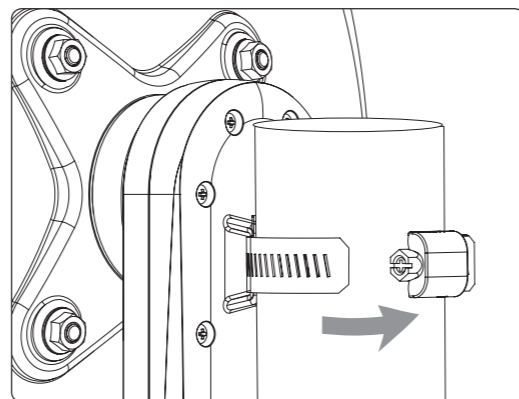
Make sure the rectangular indicator on the dish is aligned with the C5x set screw as shown in the diagram below, then tighten the set screw.



If you are using the C5x standalone without an antenna, remove the set screw to allow drainage of any accumulated moisture in the threaded area.

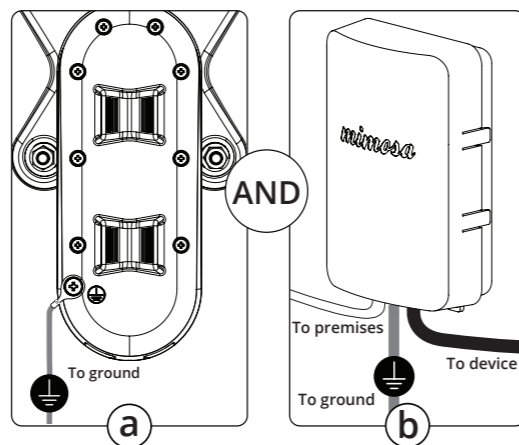
2. Mount

Using provided 2 pole clamps, attach to desired mounting pole. If elevation adjustment is needed, a Mimosa Fleximount or J-Mount is suggested.



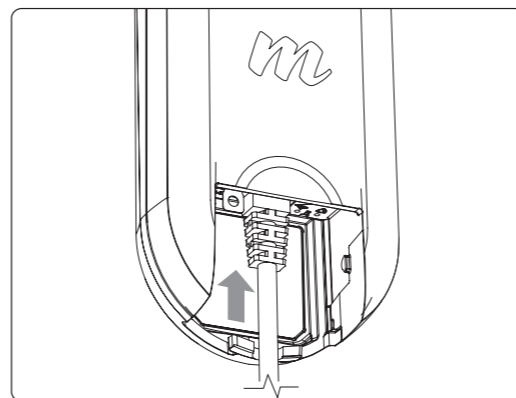
3. Grounding

Attach ground wire (not included) to the integrated grounding screw shown in step 3a. Then install a Mimosa Gigabit NID at the premises entry point for Electrostatic Discharge (ESD) protection as shown in step 3b.



4. Connect Ethernet

Remove the C5x door cover and connect CAT 6/6A Ethernet cable for PoE and connectivity.



5. Unlock and Configure

Visit mimosa.co/start to unlock the device and detailed configuration instructions.

Warnings, Warranty, Compliance & Regulatory Statements

Export Control

These commodities, technology, or software were exported from the United States in accordance with the Export Administration Regulations. Diversion contrary to U.S. law is prohibited.

Important Safety and Handling Information

Failure to follow any of the safety instructions in this guide, instructions on any Mimosa-provided packaging, and heed WARNINGS (indicated by ⚠️), could result in fire, electric shock, other injury or death, and incur damage to this product or other property and void the product's Limited Warranty.

There are no End User serviceable parts inside the equipment.

Read all operating and safety instructions contained herein and accompanying the product as provided by Mimosa Networks, Inc. ("Mimosa").

Electrical Safety Information

⚠️ Do not operate this product in any location that can be submerged by water.

⚠️ Do not install or maintain this product during the presence of an electrical storm to avoid risk of electric shock from lightning. In order to comply with the Mimosa Limited Warranty conditions in this document, you must properly ground the device accord-

ing to the included instructions. Failure to properly ground the device according to the included instructions and use shielded CAT6/6A Ethernet cabling will violate the product warranty and could lead to serious injury or death.

⚠️ Installation of the product must comply with local and national electrical codes.

⚠️ Power specifications for connected devices are indicated on the device's own label or documentation. Connecting to any power source that does not meet the voltage, frequency and current requirements listed may damage the power supply or product, and pose a fire hazard.

Mandatory Grounding Instructions

IMPORTANT: In order to comply with the Mimosa Limited Warranty conditions in this document, you must properly ground the device according to these instructions. Failure to properly ground the device will violate the product warranty.

Required Step 1 - Direct Grounding on the Device:

A minimum grounding wire of 10 AWG (5.26 mm²) with a secured grounding terminal, and shorter in length than 1 meter is required. It is NOT supplied with the product.

1. Ensure that NO power is being supplied to the product.
2. Locate the Ground point screw next to the Ground icon ⚡ on the device
3. Remove the provided Ground Screw
4. Thread the ground wire terminal and ground wire meeting the above specifications over the screw removed in the previous step.
5. Replace and tighten the screw with the threaded ground terminal and cable at the product Ground point.
6. Secure the other end of the grounding cable to the properly grounded structure (pole, tower, mast, etc.) meeting local and national electrical regulations and codes.

Required Step 2 - Use Mimosa Gigabit NID for Grounding via CAT6/6A Shielded Ethernet:

The Mimosa Gigabit NID is required to provide enhanced Electrostatic Discharge (ESD) protection for devices and the premises during electrical events. To prevent device damage, avoid ground voltage potential difference between the C5c integrated ground and the Gigabit NID ground. Failure to follow all instructions provided with the separately sold Mimosa Gigabit NID will violate the product warranty and could lead to serious injury or death.

End User Product Warranty

Products purchased from Mimosa Networks, Inc. ("Mimosa") are warranted against defects in material, and workmanship for a period of either (i) twelve (12) months from the date of activation, or (ii) thirty-six (36) months from the original date of shipment, whichever is earlier. Please go to www.mimosa.co/warranty to determine whether your product is in warranty.

The sole responsibility of Mimosa under this warranty shall be limited to the repair or replacement of in-warranty defective product, at Mimosa's sole option.

Out of warranty products shipped to Mimosa will not be returned. This warranty does not cover costs associated with the removal and/or reinstallation of the product for repair nor for any parts that are readily replaced in normal use.

Mimosa or its designated partner will repair or replace product found to be defective during the defined warranty period.

The End User is responsible for delivering defective product in accordance with Mimosa's Return Material Authorization (RMA) processes published at www.mimosa.co/legal/RMA

Limitation of Warranty

Mimosa's product warranty is invalidated if the RMA product is altered or otherwise tampered with in a manner that modifies the product from its original shipping configuration and/or form factor, and could violate the End User's authority to operate the equipment, unless said activity was performed by or with the written authorization of a Mimosa representative.

Modifications include:

- (a) External surfaces that have been painted, labeled, or otherwise modified from the original shipping condition.
- (b) Modifications of the product with third party hardware, firmware, and/or software.
- (c) Any product subjected to abnormal physical or electric stress, including, but not limited to, lightning strikes, negligence, accident, or misuse.
- (d) Any product damaged due to incorrect installation, including, but not limited to, improper product mounting, cabling, cabling defects or connection to power.
- (e) Failure induced by connected third party products.

Improper grounding, or failure to ground the product as instructed in this guide will void the End User warranty.

Mimosa will not warrant any product which has been installed outdoors without the use of minimum CAT 6/6A shielded Ethernet cable and proper earth grounding.

Disclaimer

EXCEPT FOR ANY EXPRESS WARRANTIES PROVIDED HEREIN, MIMOSA NETWORKS AND ITS SUBSIDIARIES, LICENSORS AND AFFILIATES (COLLECTIVELY, "MIMOSA"), AND ANY THIRD PARTY DATA, SERVICE, SOFTWARE AND HARDWARE PROVIDERS MAKE NO OTHER REPRESENTATION OR WARRANTY OF ANY KIND AND HEREBY DISCLAIM ALL WARRANTIES, EXPRESS OR IMPLIED, STATUTORY OR OTHERWISE, INCLUDING, BUT NOT LIMITED TO, ANY REPRESENTATIONS OR WARRANTIES OF DESIGN, MERCHANTABILITY, ACCURACY, QUALITY OF SERVICE OR RESULTS, AVAILABILITY, QUIET ENJOYMENT, FITNESS FOR A PARTICULAR PURPOSE, NON-INFRINGEMENT AND ANY WARRANTIES ARISING FROM ANY COURSE OF DEALING, USAGE OR TRADE PRACTICE IN CONNECTION WITH SUCH PRODUCTS AND SERVICES. YOU ACKNOWLEDGE THAT NEITHER MIMOSA NOR ITS THIRD PARTY PROVIDERS CONTROL YOUR EQUIPMENT OR THE TRANSFER OF DATA OVER COMMUNICATIONS FACILITIES, INCLUDING THE INTERNET, AND THAT THE PRODUCTS AND SERVICES PROVIDED BY MIMOSA MAY BE SUBJECT TO LIMITATIONS, INTERRUPTIONS, DELAYS, CANCELLATIONS AND OTHER PROBLEMS INHERENT IN THE USE OF COMMUNICATIONS FACILITIES. MIMOSA AND ANY THIRD PARTY PROVIDERS ARE NOT RESPONSIBLE FOR ANY INTERRUPTIONS, DELAYS, CANCELLATIONS, DELIVERY FAILURES, DATA LOSS, CONTENT CORRUPTION, PACKET LOSS, OR OTHER DAMAGE RESULTING FROM ANY OF THE FOREGOING.

IN ADDITION, MIMOSA MAKES NO WARRANTY OR UNDERTAKING, AND MAKES NO REPRESENTATION OF ANY KIND THAT THE LICENSED PRODUCTS WILL MEET YOUR REQUIREMENTS, ACHIEVE ANY INTENDED RESULTS, BE COMPATIBLE OR WORK WITH ANY OTHER APPLICATIONS, SYSTEMS OR SERVICES, OPERATE WITHOUT INTERRUPTION, MEET ANY PERFORMANCE OR RELIABILITY STANDARDS, BE ERROR FREE OR THAT ANY ERRORS OR DEFECTS CAN OR WILL BE CORRECTED, OR THAT THE LICENSED PRODUCTS ARE NOT VULNERABLE TO FRAUD OR UNAUTHORIZED USE.

Limitation of Liability

EXCEPT TO THE EXTENT PROHIBITED BY THE LAWS IN YOUR JURISDICTION, IN NO EVENT WILL MIMOSA OR ITS SUPPLIERS OR LICENSORS BE LIABLE FOR SPECIAL, INCIDENTAL, CONSEQUENTIAL OR OTHER DAMAGES (INCLUDING LOST PROFIT, LOST DATA, OR DOWNTIME COSTS),

NOR FOR DAMAGES BASED ON UNAUTHORIZED USE OR ACCESS, ARISING OUT OF THE USE, INABILITY TO USE, OR THE RESULTS OF USE OF THE PRODUCT, WHETHER BASED IN WARRANTY, CONTRACT, TORT OR OTHER LEGAL THEORY, AND WHETHER OR NOT ADVISED OF THE POSSIBILITY OF SUCH DAMAGES. IN NO EVENT SHALL MIMOSA, ITS SUPPLIERS OR ITS LICENSORS' DIRECT LIABILITY EXCEED THE VALUE OF THE LICENSED PRODUCTS GIVING RISE TO SUCH LIABILITY. THESE LIMITATIONS SHALL APPLY NOTWITHSTANDING ANY FAILURE OF ESSENTIAL PURPOSE OF ANY LIMITED REMEDY. IN NO EVENT SHALL MIMOSA BE RESPONSIBLE FOR DAMAGES OR CLAIMS OF ANY NATURE OR DESCRIPTION RELATING TO NETWORK PERFORMANCE, INCLUDING COVERAGE, YOUR SELECTION OF MIMOSA PRODUCTS FOR YOUR PARTICULAR APPLICATION AND/OR FAILURE OF MIMOSA PRODUCTS TO MEET GOVERNMENT OR REGULATORY REQUIREMENTS.

Some legal jurisdictions do not allow exclusions of implied warranties or conditions, or for the exclusion or limitation of liability for incidental or consequential damages, so the above exclusion may not apply to you. You may have other rights specific to your legal jurisdiction. EXCEPT TO THE EXTENT ALLOWED BY THE LAW OF YOUR JURISDICTION, THESE WARRANTY TERMS DO NOT EXCLUDE, RESTRICT OR MODIFY, AND ARE IN ADDITION TO, ANY MANDATORY STATUTORY RIGHTS APPLICABLE TO YOU IN THE LICENSE OF ANY EMBEDDED SOFTWARE. The United Nations Convention on Contracts for the International Sale of Goods shall not apply to any transactions regarding the sale of the Products.

FCC

This device complies with part 15 of the FCC Rules. Operation is subject to the following two conditions:

- (1) This device may not cause harmful interference, and
- (2) this device must accept any interference received, including interference that may cause undesired operation.

NOTE: This equipment has been tested and found to comply with the limits for a Class B digital device, pursuant to part 15 of the FCC Rules. These limits are designed to provide reasonable protection against harmful interference in a residential installation. This equipment generates, uses and can radiate radio frequency energy and, if not installed and used in accordance with the instructions, may cause harmful interference to radio communications. However, there is no guarantee that interference will not occur in a particular installation. If this equipment does cause harmful interference to radio or television reception, which can be determined by turning the equipment off and on, the user is encouraged to try to correct the interference by one or more of the following measures:

- Reorient or relocate the receiving antenna.
- Increase the separation between the equipment and receiver.
- Connect the equipment into an outlet on a circuit different from that to which the receiver is connected.
- Consult the dealer or an experienced radio/TV technician for help.

This equipment complies with FCC radiation exposure limits set forth for an uncontrolled environment. End users must follow the specific operating instructions for satisfying RF exposure compliance. This transmitter must be less than 20cm from the user and must not be co-located or operating in conjunction with any other antenna or transmitter.

When mounting the radio antenna, in accordance with the Part 15 UNII-1 band requirements, the antenna must not exceed 125 mW (21 dBm) e.i.r.p. at any elevation angle above 30 degrees as measured from the horizon).

The information in this guide may change without notice. The manufacturer assumes no responsibility for any errors that may appear in this guide.

