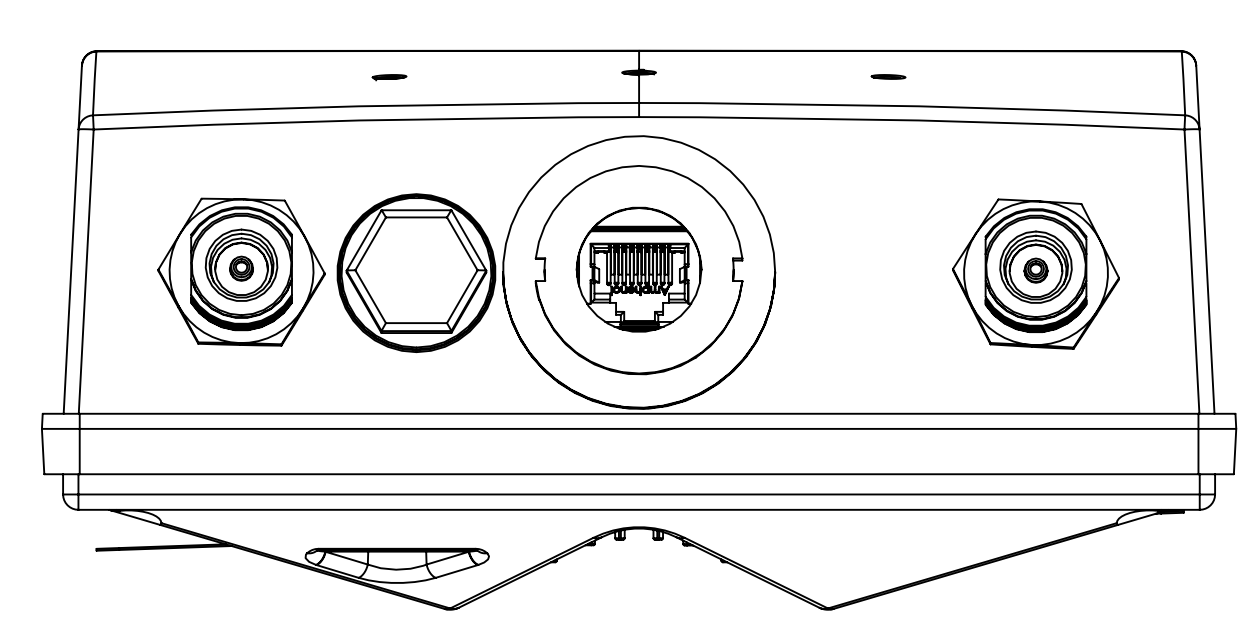
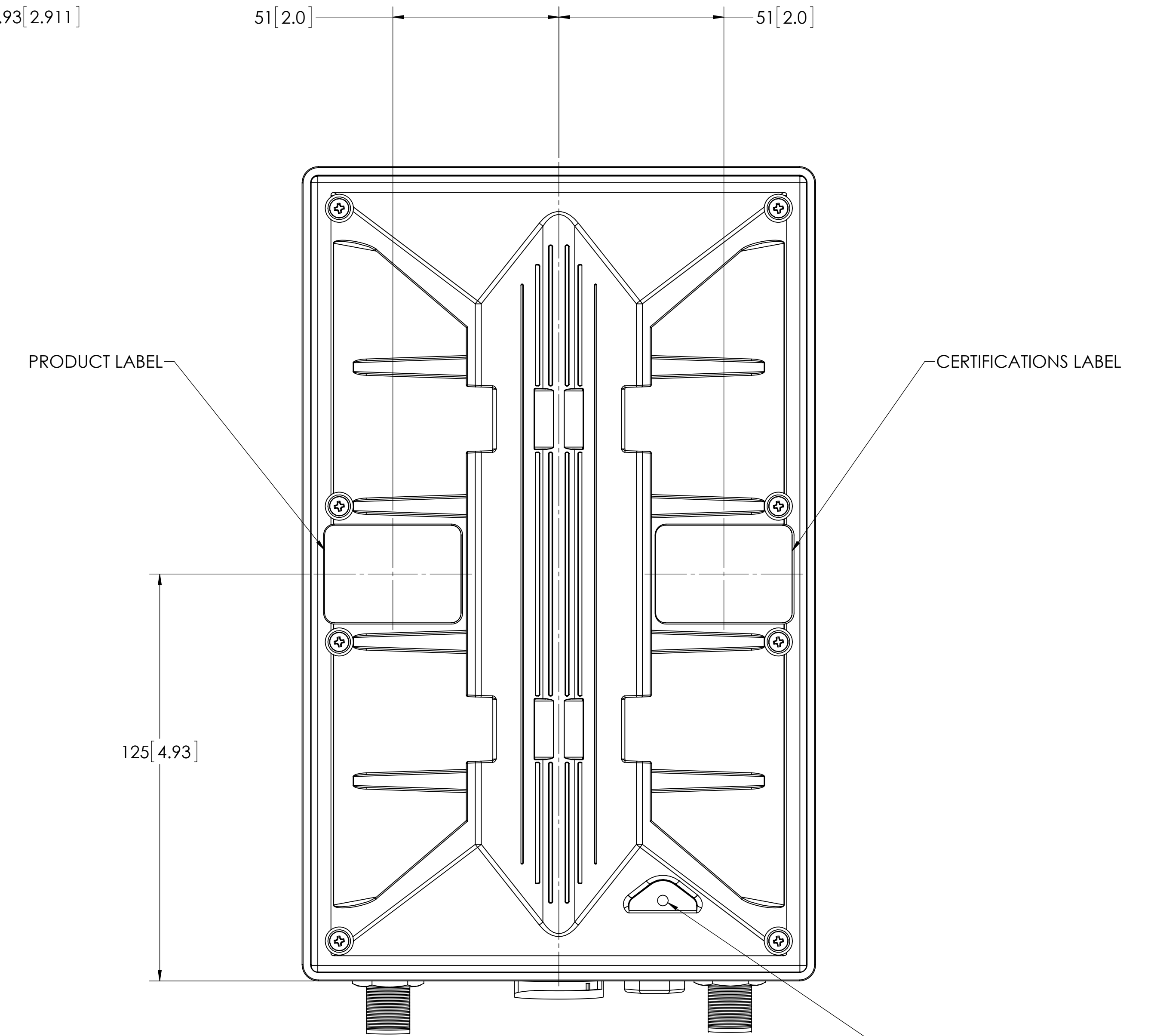
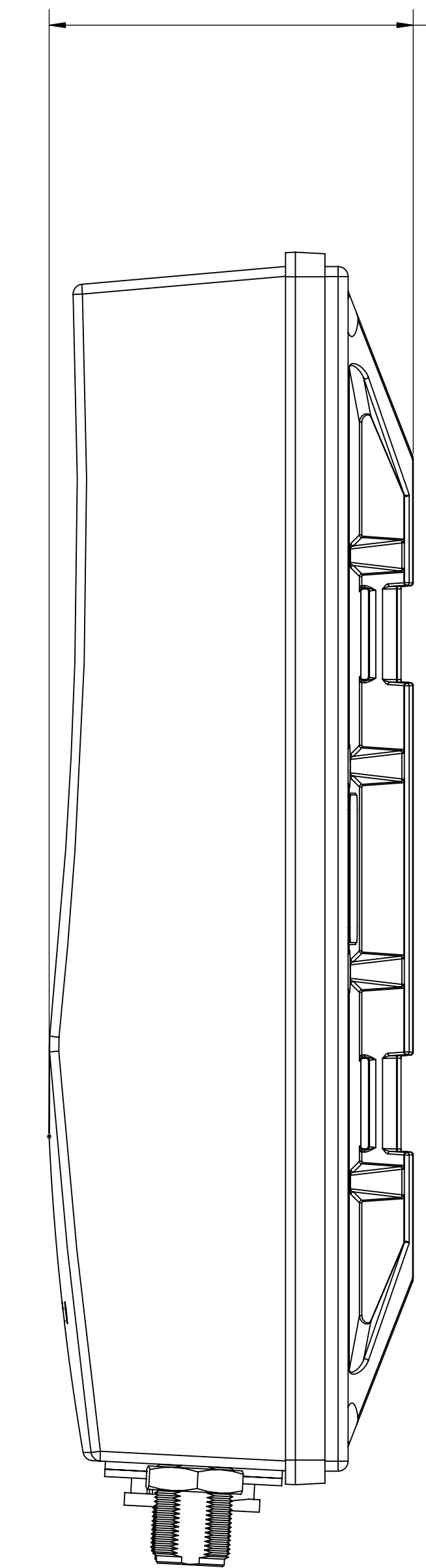
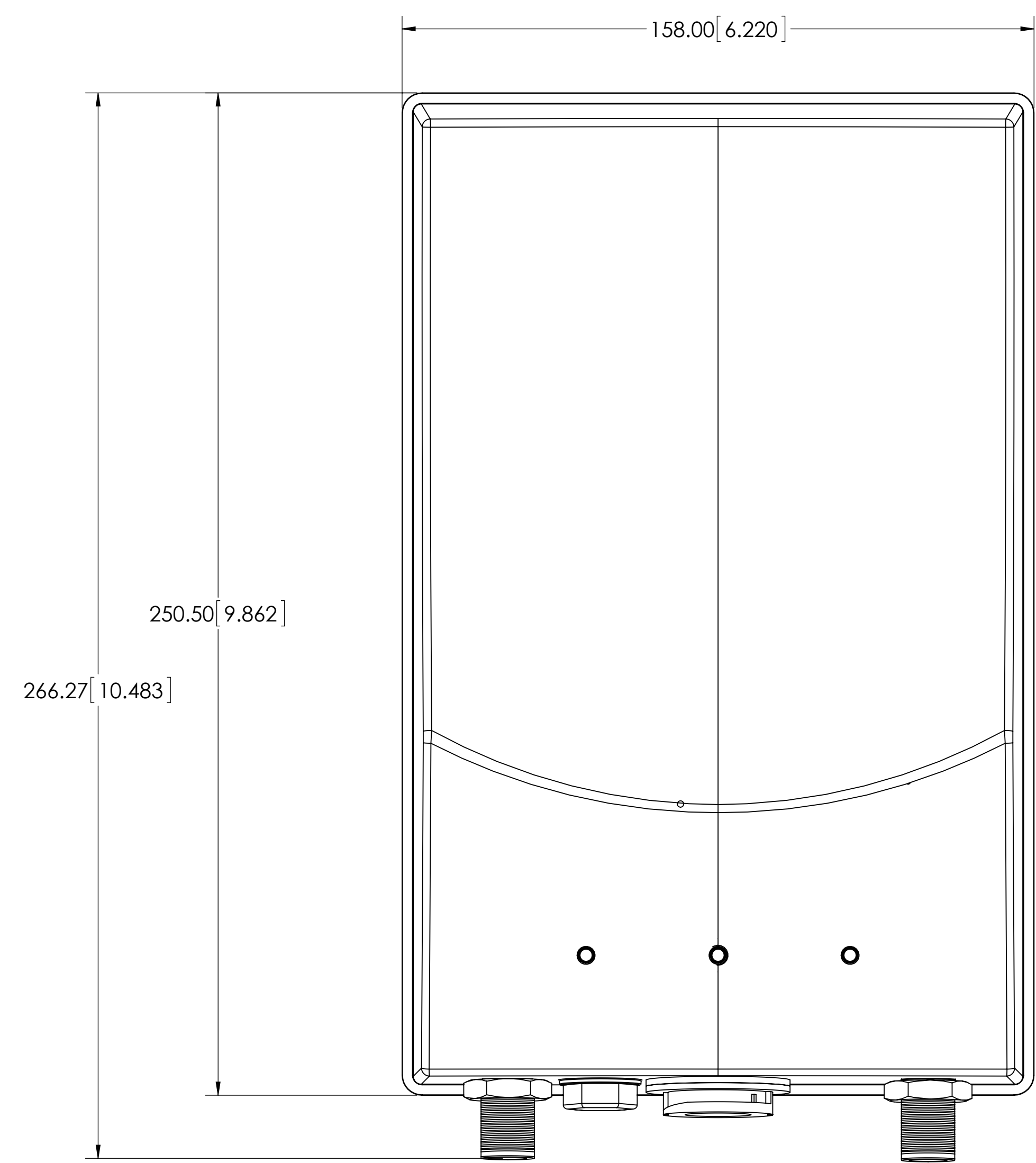
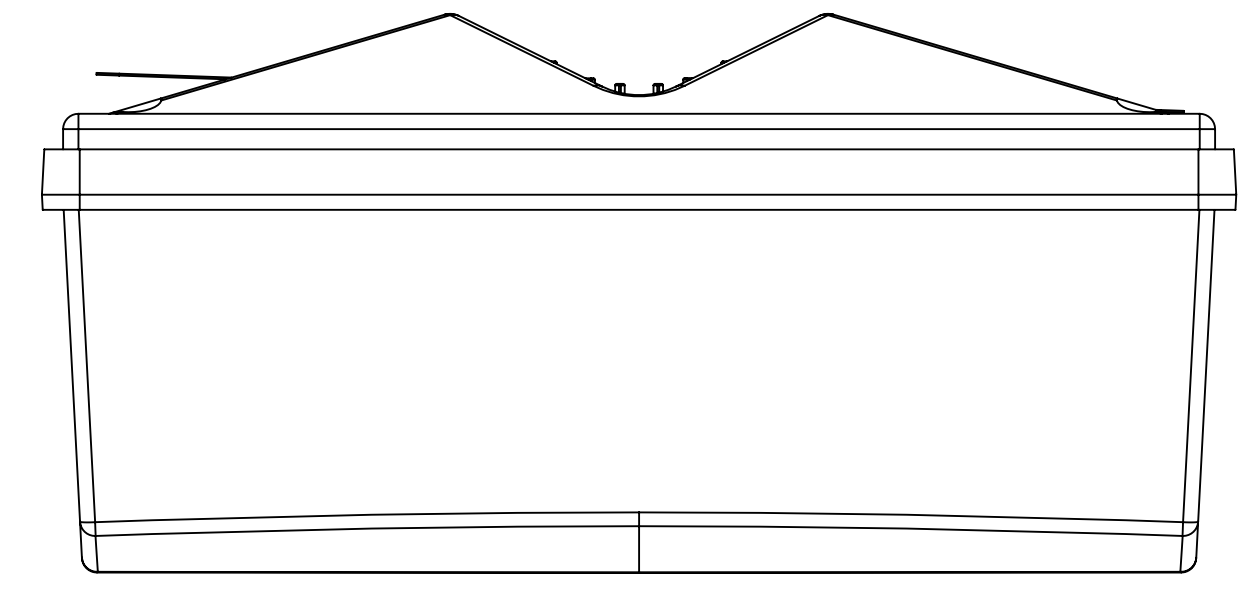


REVISIONS			
REV	DESCRIPTION	DATE	CHG BY



PROPRIETARY & CONFIDENTIAL		TOLERANCES: ANGULAR ± 1° DIMENSIONS ARE IN MILLIMETERS UNLESS OTHERWISE SPECIFIED DIMENSIONS ARE IN INCHES UNLESS OTHERWISE SPECIFIED HOLE TO HOLE: ±0.13 (0.005)		mimosa networks 300 Orchard City Drive, Suite 100A Campbell, CA 95008	
THIRD ANGLE PROJECTION: 		MATERIAL: 1 FINISH: 2		DESCRIPTION: ASSEMBLY, R5 RADIO DRAWN BY: C.RAMOS DWG. NO.: 010-00027 REV: A	
DO NOT SCALE DRAWING		DRAWN IN ACCORDANCE WITH ASME Y14.5-2009		WEIGHT: KG SIZE: D SCALE: 1:1 SHEET: 2 OF 2	