

NOTES: (UNLESS OTHERWISE SPECIFIED)

1 MATERIAL: POLYCARBONATE, WHITE, LEXAN 223R-WH9G321

2 FINISH: HIGH POLISH SURFACE

3 PART MUST BE FREE OF TOOL MARKS, FLASHING, WRINKLES, THINNING AND/OR SPLITTING WHICH MAY BE DETRIMENTAL TO SATISFACTORY ASSEMBLY, SAFE HANDLING, APPEARANCE, AND FUNCTION.

4 SOLID MODEL GEOMETRY:
 a. SEE SOLIDWORKS MODEL FOR DIMENSIONS & FEATURES NOT SHOWN ON DRAWING.
 b. MODEL-BASED TOLERANCES: SEE TOLERANCE BLOCK FOR DEFAULT CAD MODEL TOLERANCE.

5 MOLD FINISH TO BE "SPI B-2" ON ALL INTERIOR (NON-APPEARANCE) UNSPECIFIED SURFACES. POLISH SURFACES TO BE "SPI-A2 TOP SPI-A3"

6 PARTING LINE MISMATCH NOT TO EXCEED .10MM.

7 FLASH NOT TO EXCEED .05MM.

8 GATE VESTIGE TO BE FLUSH TO SUB FLUSH .10MM.

9 PART TO BE FREE OF MOLD RELEASE ON ALL SURFACES.

10 ZERO (0%) REGRIND PERMISSIBLE.

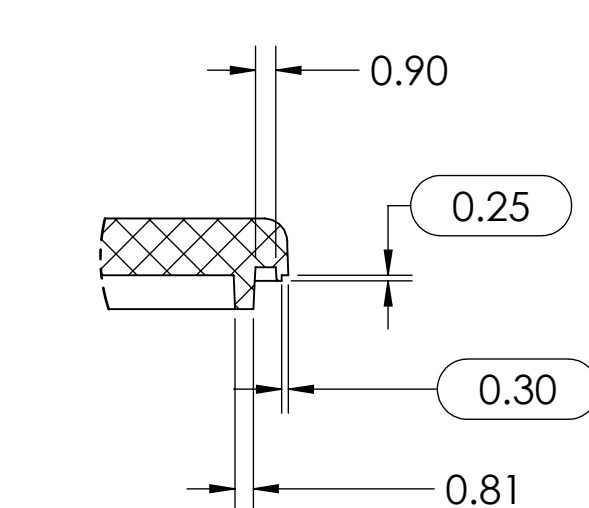
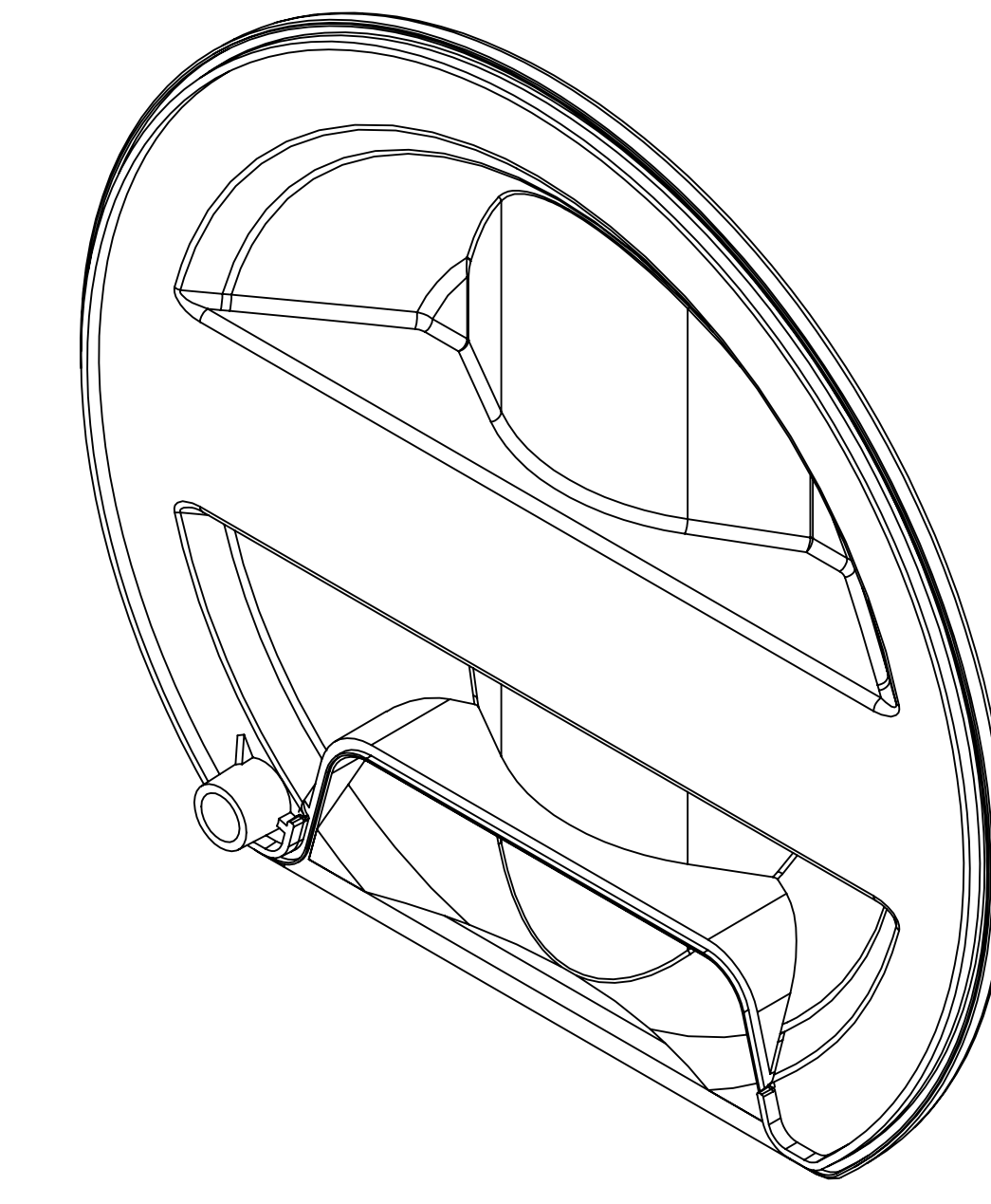
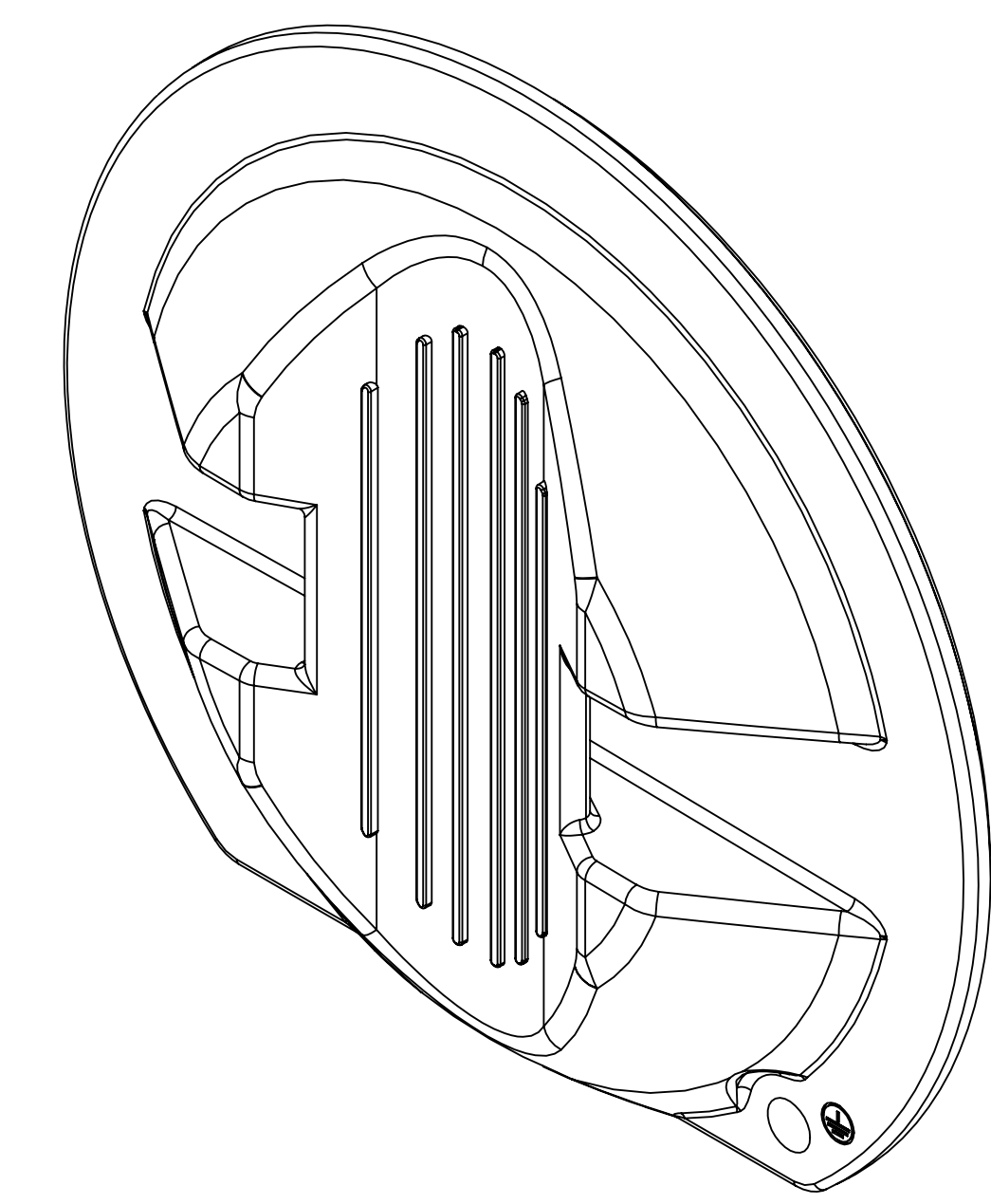
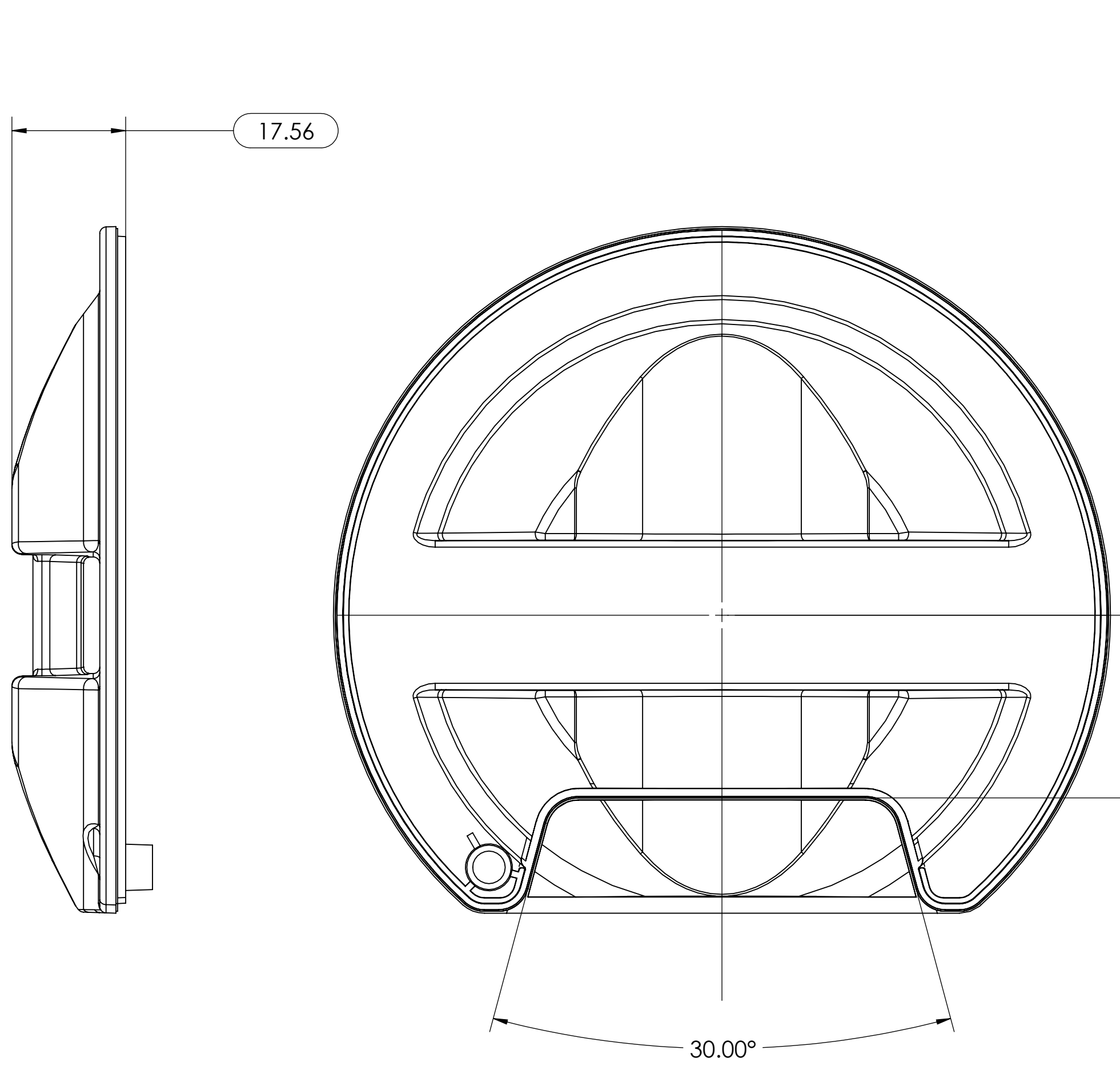
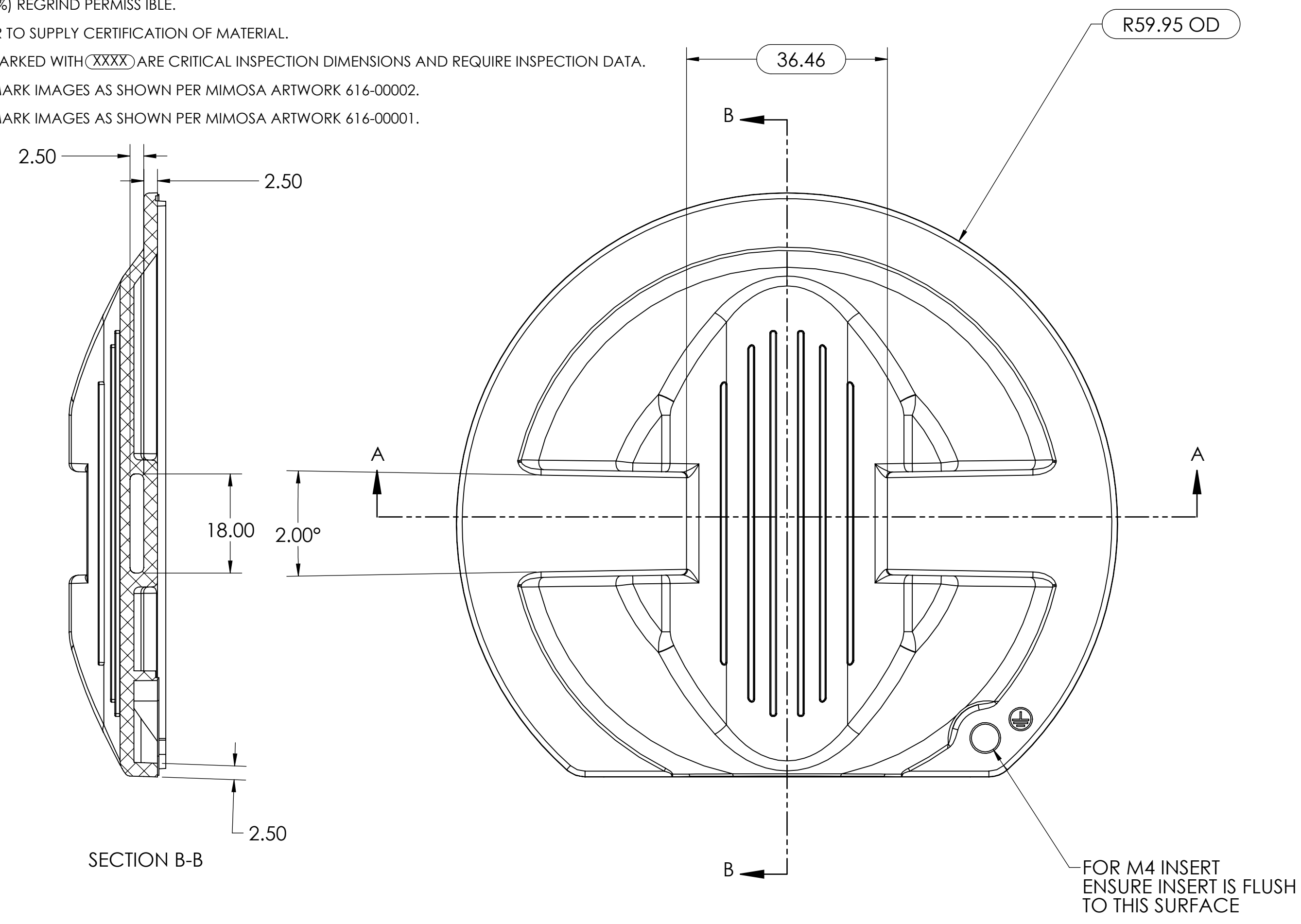
11 MOLDER TO SUPPLY CERTIFICATION OF MATERIAL.

12 ITEMS MARKED WITH (XXXX) ARE CRITICAL INSPECTION DIMENSIONS AND REQUIRE INSPECTION DATA.

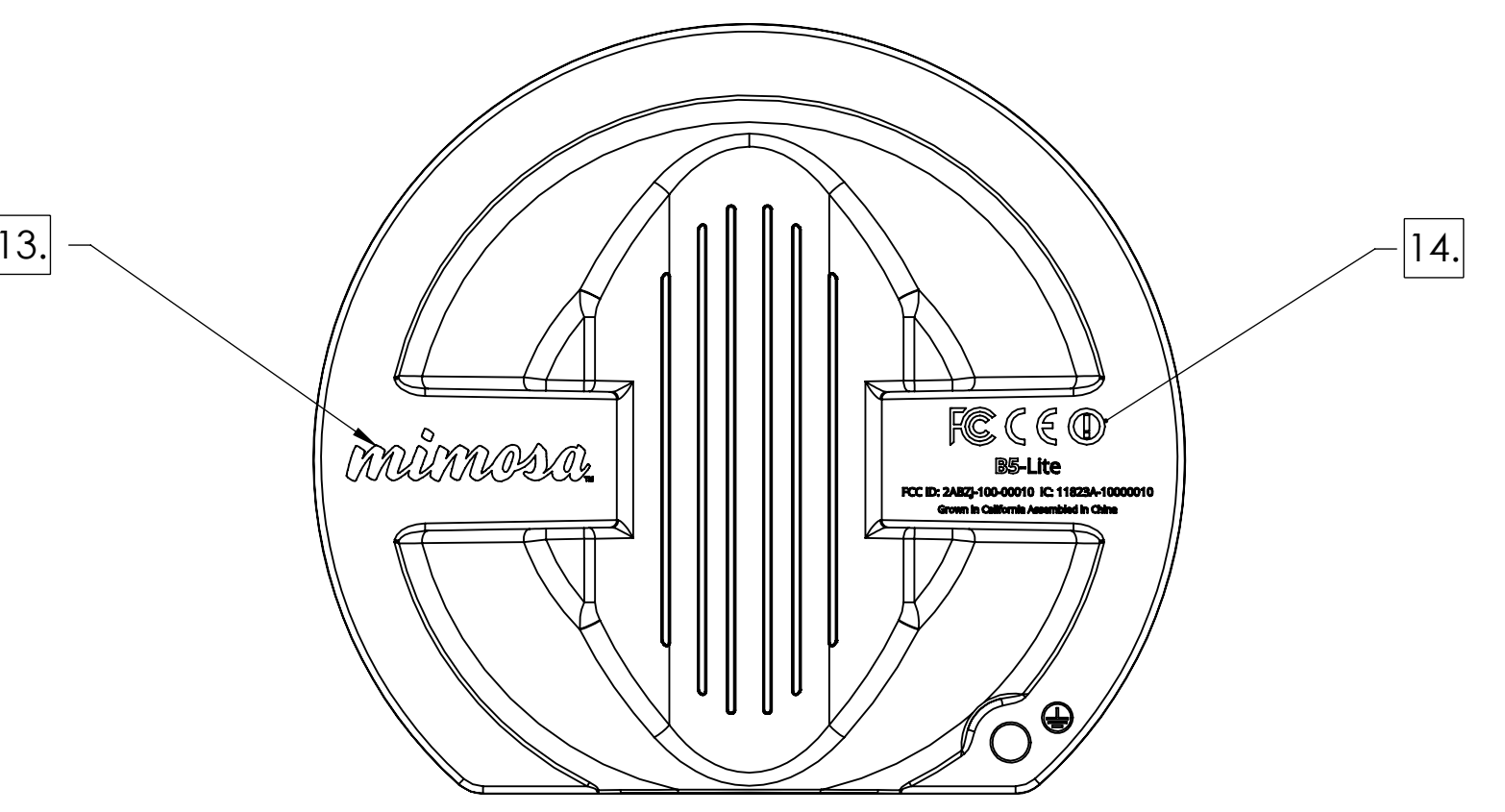
13 LASER MARK IMAGES AS SHOWN PER MIMOSA ARTWORK 616-00002.

14 LASER MARK IMAGES AS SHOWN PER MIMOSA ARTWORK 616-00001.

REVISIONS			
REV	DESCRIPTION	DATE	CHG BY
A	INITIAL RELEASE	08NOV13	CRR
B	RELEASED FOR SECOND PROTOTYPE	23JUN14	CRR
C	F6 DIM WAS 42.46; REL FOR PROTO	03JUL14	CRR
D	RELEASED FOR TOOLING	21AUG14	CRR
E	REMOVE MATERIAL PER DFM; REL FOR TOOLING	25AUG14	CRR
E1	CORRECT INTERFERENCE; FIX GAP ERROR	26AUG14	CRR
F	ADD PRODUCT MARKINGS VIEW; REL FOR EVT BUILD	27MAR15	CRR



DETAIL A
SCALE 3:1



PRODUCT MARKINGS VIEW
SCALE 1:1

PROPRIETARY & CONFIDENTIAL <small>THE INFORMATION CONTAINED IN THIS DRAWING IS THE SOLE PROPERTY OF MIMOSA NETWORKS. ANY REPRODUCTION IN PART OR AS A WHOLE WITHOUT WRITTEN PERMISSION OF MIMOSA NETWORKS IS PROHIBITED.</small>	TOLERANCES: <small>ANGULAR ± .1° (0.005°) DIMENSIONS ARE IN MILLIMETERS (INCH) ± .13 (0.005) DIMENSIONS ARE IN INCHES (MILLIMETERS) ± .005 (0.025) HOLE TO HOLE: ± 0.13 (0.005) HOLE TO HOLE: ± 0.13 (0.005) MOLD-SHIPPED FEATURES: ± 0.5 (0.010)</small>		mimosa networks <small>300 Orchard City Drive, Suite 100A Campbell, CA 95008</small>
	DESCRIPTION: BACK COVER, C5	MATERIAL: 1	DRAWN BY: C.RAMOS
THIRD ANGLE PROJECTION:	FINISH: 2	WEIGHT: KG	SCALE: 1.5:1
DO NOT SCALE DRAWING	<small>DRAWN IN ACCORDANCE WITH ASME Y14.5-2009</small>	SIZE: D	SHEET: 1 OF 1