

HAC_E_Dipole_835

DUT: HAC-Dipole 835 MHz

Communication System: CW; Frequency: 835 MHz; Duty Cycle: 1:1

Medium: Air Medium parameters used: $\sigma = 0$ S/m, $\epsilon_r = 1$; $\rho = 0$ kg/m³

Ambient Temperature : 23.6 °C

DASY5 Configuration

- Probe: EF3DV3 - SN4047; ConvF(1, 1, 1) @ 835 MHz; Calibrated: 2020/1/24

- Sensor-Surface: (Fix Surface)

- Electronics: DAE4 Sn854; Calibrated: 2020/5/26

- Phantom: HAC Test Arch with AMCC; Type: SD HAC P01 BA;

- Measurement SW: DASY52, Version 52.10 (4); SEMCAD X Version 14.6.14 (7483)

E Scan - measurement distance from the probe sensor center to CD835 = 10mm & 15mm/Hearing Aid Compatibility Test at 15mm distance (41x361x1): Interpolated grid:

$dx=0.5000$ mm, $dy=0.5000$ mm

Device Reference Point: 0, 0, -6.3 mm

Reference Value = 141.9 V/m; Power Drift = -0.08 dB

PMR not calibrated. PMF = 1.000 is applied.

E-field emissions = 119.1 V/m

Average value of Total= $(117.1+119.1) / 2 = 118.1$ V/m

PMF scaled E-field

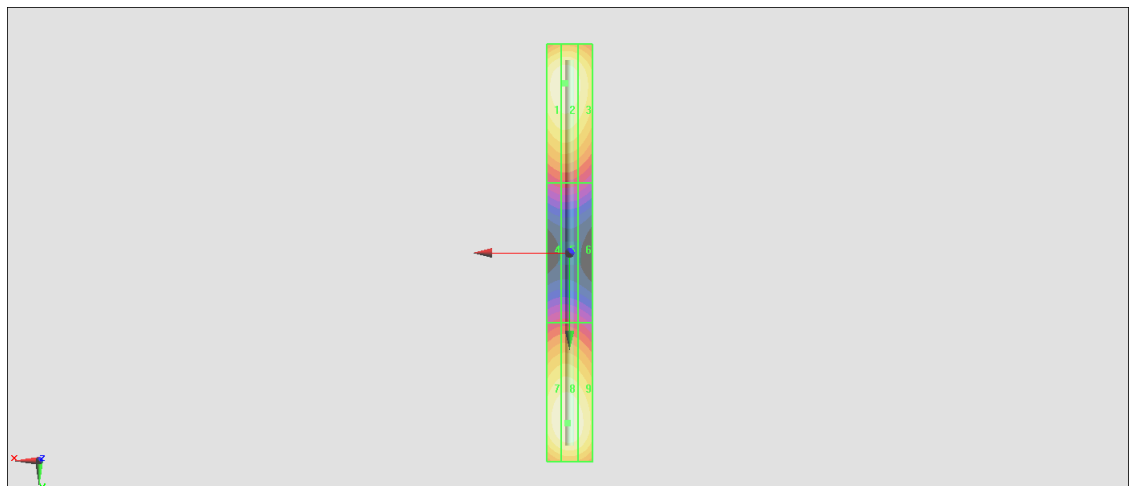
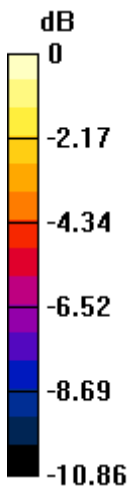
Grid 1 M4 117.8 V/m	Grid 2 M4 117.1 V/m	Grid 3 M4 112.1 V/m
Grid 4 M4 64.45 V/m	Grid 5 M4 64.63 V/m	Grid 6 M4 62.50 V/m
Grid 7 M4 117.8 V/m	Grid 8 M4 119.1 V/m	Grid 9 M4 115.0 V/m

Cursor:

Total = 119.1 V/m

E Category: M4

Location: 1, 73.5, 9.7 mm



0 dB = 119.1 V/m = 41.52 dBV/m

HAC_E_Dipole_1880

DUT: HAC Dipole 1880 MHz

Communication System: CW; Frequency: 1880 MHz; Duty Cycle: 1:1

Medium: Air Medium parameters used: $\sigma = 0$ S/m, $\epsilon_r = 1$; $\rho = 0$ kg/m³

Ambient Temperature : 23.6 °C

DASY5 Configuration

- Probe: EF3DV3 - SN4047; ConvF(1, 1, 1) @ 1880 MHz; Calibrated: 2020/1/24

- Sensor-Surface: (Fix Surface)

- Electronics: DAE4 Sn854; Calibrated: 2020/5/26

- Phantom: HAC Test Arch with AMCC; Type: SD HAC P01 BA;

- Measurement SW: DASY52, Version 52.10 (4); SEMCAD X Version 14.6.14 (7483)

E Scan - measurement distance from the probe sensor center to CD1880 = 10mm & 15mm/Hearing Aid Compatibility Test at 15mm distance (41x181x1): Interpolated grid:

$dx=0.5000$ mm, $dy=0.5000$ mm

Device Reference Point: 0, 0, -6.3 mm

Reference Value = 171.2 V/m; Power Drift = 0.12 dB

PMR not calibrated. PMF = 1.000 is applied.

E-field emissions = 91.96 V/m

Average value of Total= $(90.94+91.96) / 2 = 91.45$ V/m

PMF scaled E-field

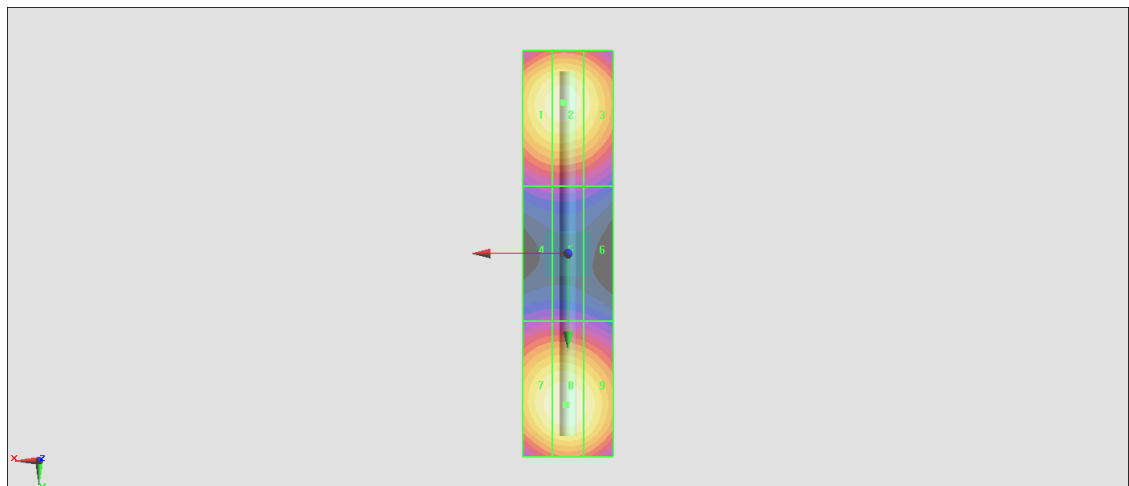
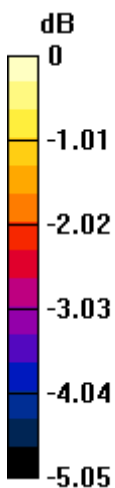
Grid 1 M3 90.14 V/m	Grid 2 M3 90.94 V/m	Grid 3 M3 87.62 V/m
Grid 4 M3 64.80 V/m	Grid 5 M3 64.92 V/m	Grid 6 M3 63.78 V/m
Grid 7 M3 90.74 V/m	Grid 8 M3 91.96 V/m	Grid 9 M3 89.47 V/m

Cursor:

Total = 91.96 V/m

E Category: M3

Location: 0.5, 33.5, 9.7 mm



0 dB = 91.96 V/m = 39.27 dBV/m

HAC_E_Dipole_2600

DUT: HAC Dipole 2600 MHz

Communication System: CW ; Frequency: 2600 MHz;Duty Cycle: 1:1

Medium: Air Medium parameters used: $\sigma = 0$ S/m, $\epsilon_r = 1$; $\rho = 0$ kg/m³

Ambient Temperature : 23.6 °C

DASY5 Configuration

- Probe: EF3DV3 - SN4047; ConvF(1, 1, 1) @ 2600 MHz; Calibrated: 2020/1/24
- Sensor-Surface: (Fix Surface)
- Electronics: DAE4 Sn854; Calibrated: 2020/5/26
- Phantom: HAC Test Arch with AMCC; Type: SD HAC P01 BA;
- Measurement SW: DASY52, Version 52.10 (4); SEMCAD X Version 14.6.14 (7483)

E Scan - measurement distance from the probe sensor center to CD2600 = 10mm & 15mm/Hearing Aid Compatibility Test at 15mm distance (41x181x1): Interpolated grid:

dx=0.5000 mm, dy=0.5000 mm

Device Reference Point: 0, 0, -6.3 mm

Reference Value = 69.38 V/m; Power Drift = 0.06 dB

PMR not calibrated. PMF = 1.000 is applied.

E-field emissions = 87.62 V/m

Average value of Total=(86.32+87.62) / 2 = 86.97 V/m

PMF scaled E-field

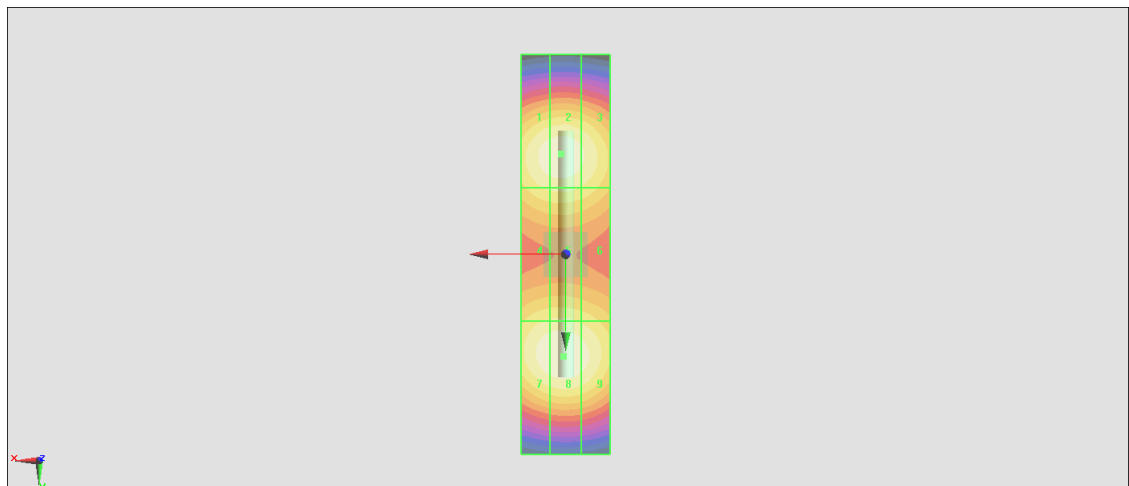
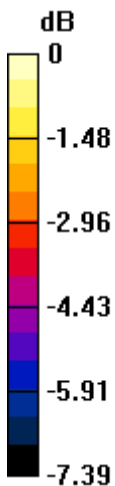
Grid 1 M3 85.57 V/m	Grid 2 M3 86.32 V/m	Grid 3 M3 83.65 V/m
Grid 4 M3 79.31 V/m	Grid 5 M3 79.83 V/m	Grid 6 M3 77.91 V/m
Grid 7 M3 86.49 V/m	Grid 8 M3 87.62 V/m	Grid 9 M3 85.08 V/m

Cursor:

Total = 87.62 V/m

E Category: M3

Location: 0.5, 23, 9.7 mm



0 dB = 87.62 V/m = 38.85 dBV/m

HAC_E_Dipole_3500

DUT: HAC Dipole 3500 MHz

Communication System: CW ; Frequency: 3500 MHz;Duty Cycle: 1:1

Medium: Air Medium parameters used: $\sigma = 0$ S/m, $\epsilon_r = 1$; $\rho = 0$ kg/m³

Ambient Temperature : 23.6 °C

DASY5 Configuration

- Probe: EF3DV3 - SN4047; ConvF(1, 1, 1) @ 3500 MHz; Calibrated: 2019/1/30

- Sensor-Surface: (Fix Surface)

- Electronics: DAE4 Sn854; Calibrated: 2020/5/26

- Phantom: HAC Test Arch with AMCC; Type: SD HAC P01 BA;

- Measurement SW: DASY52, Version 52.10 (4); SEMCAD X Version 14.6.14 (7483)

E Scan - measurement distance from the probe sensor center to CD3500 = 10mm & 15mm/Hearing Aid Compatibility Test at 15mm distance (41x121x1): Interpolated grid:

dx=0.5000 mm, dy=0.5000 mm

Device Reference Point: 0, 0, -6.3 mm

Reference Value = 37.49 V/m; Power Drift = -0.07 dB

PMR not calibrated. PMF = 1.000 is applied.

E-field emissions = 87.04 V/m

Average value of Total=(87.04+85.96) / 2 = 86.5 V/m

PMF scaled E-field

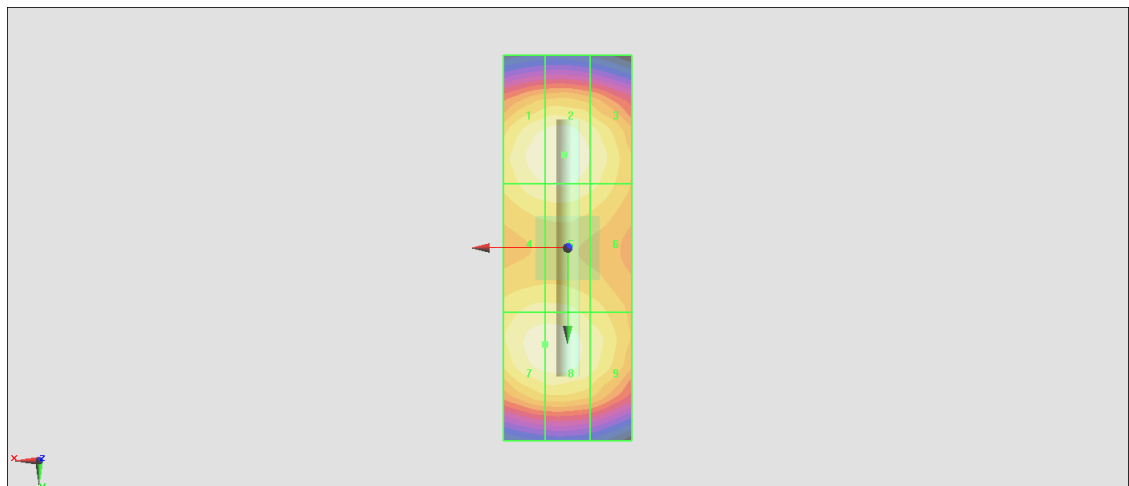
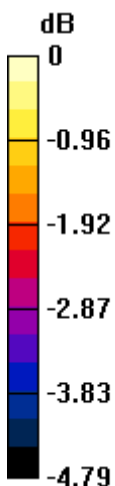
Grid 1 M3 86.37 V/m	Grid 2 M3 87.04 V/m	Grid 3 M3 84.11 V/m
Grid 4 M3 83.89 V/m	Grid 5 M3 84.40 V/m	Grid 6 M3 81.97 V/m
Grid 7 M3 85.97 V/m	Grid 8 M3 85.96 V/m	Grid 9 M3 83.02 V/m

Cursor:

Total = 87.04 V/m

E Category: M3

Location: 0.5, -14.5, 9.7 mm



0 dB = 87.04 V/m = 38.79 dBV/m

HAC_E_Dipole_5500

DUT: HAC Dipole 5500 MHz

Communication System: CW ; Frequency: 5500 MHz;Duty Cycle: 1:1

Medium: Air Medium parameters used: $\sigma = 0$ S/m, $\epsilon_r = 1$; $\rho = 0$ kg/m³

Ambient Temperature : 23.6 °C

DASY5 Configuration

- Probe: EF3DV3 - SN4047; ConvF(1, 1, 1) @ 5500 MHz; Calibrated: 2020/1/24
- Sensor-Surface: (Fix Surface)
- Electronics: DAE4 Sn854; Calibrated: 2020/5/26
- Phantom: HAC Test Arch with AMCC; Type: SD HAC P01 BA;
- Measurement SW: DASY52, Version 52.10 (4); SEMCAD X Version 14.6.14 (7483)

E Scan - measurement distance from the probe sensor center to CD5500 = 10mm & 15mm

2/Hearing Aid Compatibility Test at 15mm distance (41x181x1): Interpolated grid: dx=0.5000

mm, dy=0.5000 mm

Device Reference Point: 0, 0, -6.3 mm

Reference Value = 29.23 V/m; Power Drift = 0.04 dB

PMR not calibrated. PMF = 1.000 is applied.

E-field emissions = 109.0 V/m

Average value of Total=(90+91.78) / 2 = 90.89 V/m

PMF scaled E-field

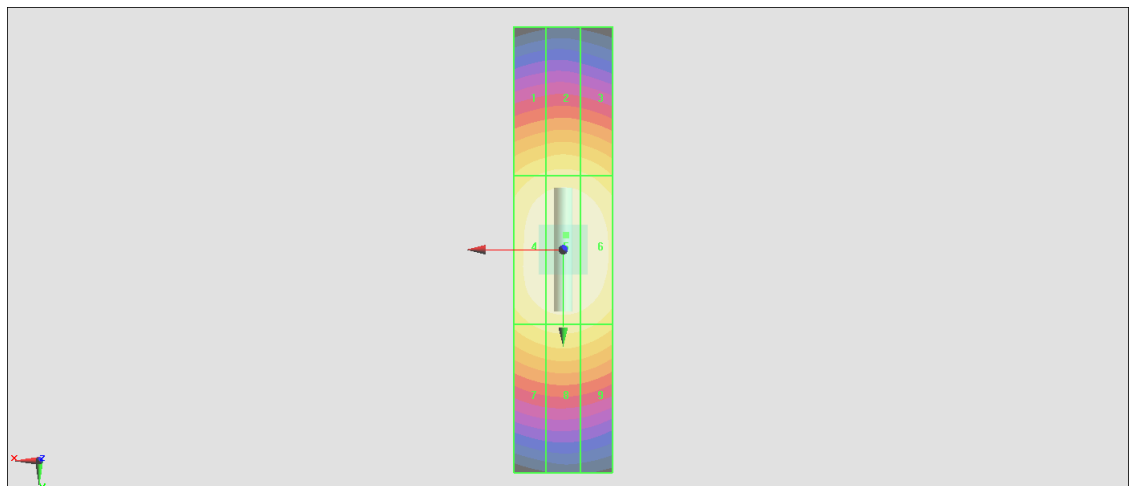
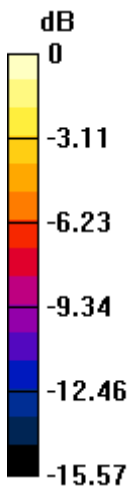
Grid 1 M3 88.19 V/m	Grid 2 M3 90.00 V/m	Grid 3 M3 88.28 V/m
Grid 4 M3 105.6 V/m	Grid 5 M3 109.0 V/m	Grid 6 M3 107.7 V/m
Grid 7 M3 90.17 V/m	Grid 8 M3 91.78 V/m	Grid 9 M3 90.24 V/m

Cursor:

Total = 109.0 V/m

E Category: M3

Location: -0.5, -3, 9.7 mm



0 dB = 109.0 V/m = 40.75 dBV/m