

# HAC\_E\_Dipole\_835

## DUT: HAC-Dipole 835 MHz

Communication System: CW; Frequency: 835 MHz; Duty Cycle: 1:1  
 Medium: Air Medium parameters used:  $\sigma = 0 \text{ S/m}$ ,  $\epsilon_r = 1$ ;  $\rho = 0 \text{ kg/m}^3$   
 Ambient Temperature : 23.5 °C

### DASY5 Configuration:

- Probe: EF3DV3 - SN4047; ConvF(1, 1, 1) @ 835 MHz; Calibrated: 2019/1/30
- Sensor-Surface: (Fix Surface)
- Electronics: DAE4 Sn914; Calibrated: 2019/6/20
- Phantom: HAC Test Arch with AMCC; Type: SD HAC P01 BA;
- Measurement SW: DASY52, Version 52.10 (2); SEMCAD X Version 14.6.12 (7470)

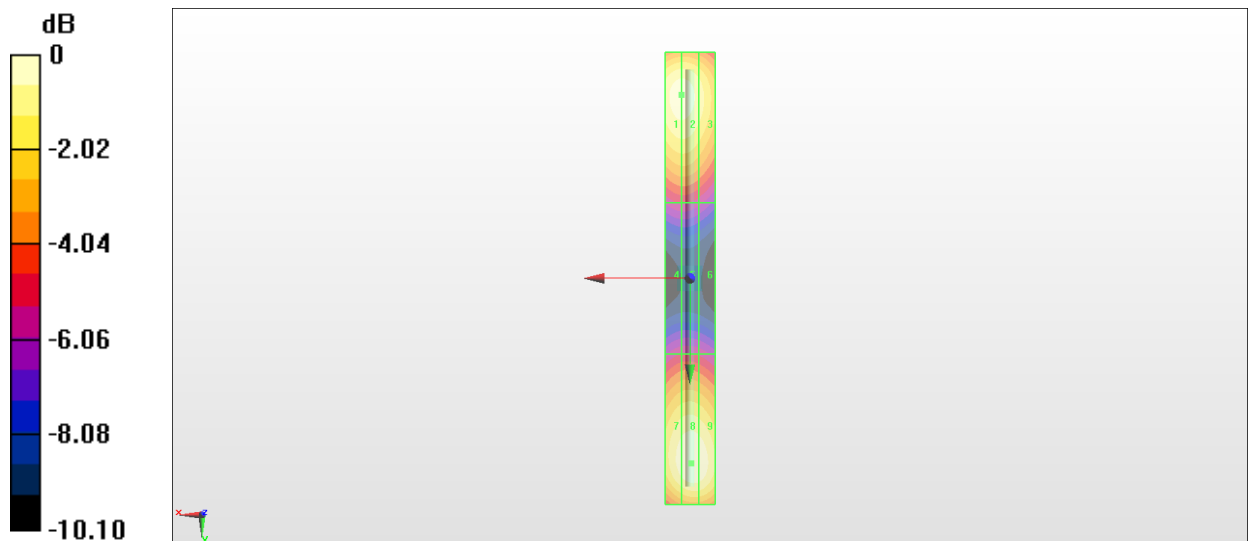
## E Scan - measurement distance from the probe sensor center to CD835 = 10mm & 15mm/Hearing Aid Compatibility Test at 15mm distance (41x361x1): Interpolated grid: dx=0.5000 mm, dy=0.5000 mm

Device Reference Point: 0, 0, -6.3 mm  
 Reference Value = 132.1 V/m; Power Drift = -0.13 dB  
 PMR not calibrated. PMF = 1.000 is applied.  
 E-field emissions = 112.4 V/m  
 Average value of Total=(108.5+112.4) / 2 = 110.45 V/m

PMF scaled E-field

Grid 1 M4 <b>108.2 V/m</b>	Grid 2 M4 <b>108.5 V/m</b>	Grid 3 M4 <b>102.1 V/m</b>
Grid 4 M4 <b>61.06 V/m</b>	Grid 5 M4 <b>61.11 V/m</b>	Grid 6 M4 <b>59.54 V/m</b>
Grid 7 M4 <b>108.4 V/m</b>	Grid 8 M4 <b>112.4 V/m</b>	Grid 9 M4 <b>110.9 V/m</b>

**Cursor:**  
 Total = 112.4 V/m  
 E Category: M4  
 Location: -0.5, 73.5, 9.7 mm



0 dB = 112.4 V/m = 41.02 dBV/m

# HAC\_E\_Dipole\_1880

## DUT: HAC Dipole 1880 MHz

Communication System: CW; Frequency: 1880 MHz; Duty Cycle: 1:1

Medium: Air Medium parameters used:  $\sigma = 0$  S/m,  $\epsilon_r = 1$ ;  $\rho = 0$  kg/m<sup>3</sup>

Ambient Temperature : 23.5 °C

### DASY5 Configuration:

- Probe: EF3DV3 - SN4047; ConvF(1, 1, 1) @ 1880 MHz; Calibrated: 2019/1/30
- Sensor-Surface: (Fix Surface)
- Electronics: DAE4 Sn914; Calibrated: 2019/6/20
- Phantom: HAC Test Arch with AMCC; Type: SD HAC P01 BA;
- Measurement SW: DASY52, Version 52.10 (2); SEMCAD X Version 14.6.12 (7470)

## E Scan - measurement distance from the probe sensor center to CD1880 = 10mm & 15mm/Hearing Aid Compatibility Test at 15mm distance (41x181x1): Interpolated grid: dx=0.5000 mm, dy=0.5000 mm

Device Reference Point: 0, 0, -6.3 mm

Reference Value = 166.4 V/m; Power Drift = -0.02 dB

PMR not calibrated. PMF = 1.000 is applied.

E-field emissions = 90.15 V/m

Average value of Total=(86.62+90.15) / 2 = 88.39 V/m

PMF scaled E-field

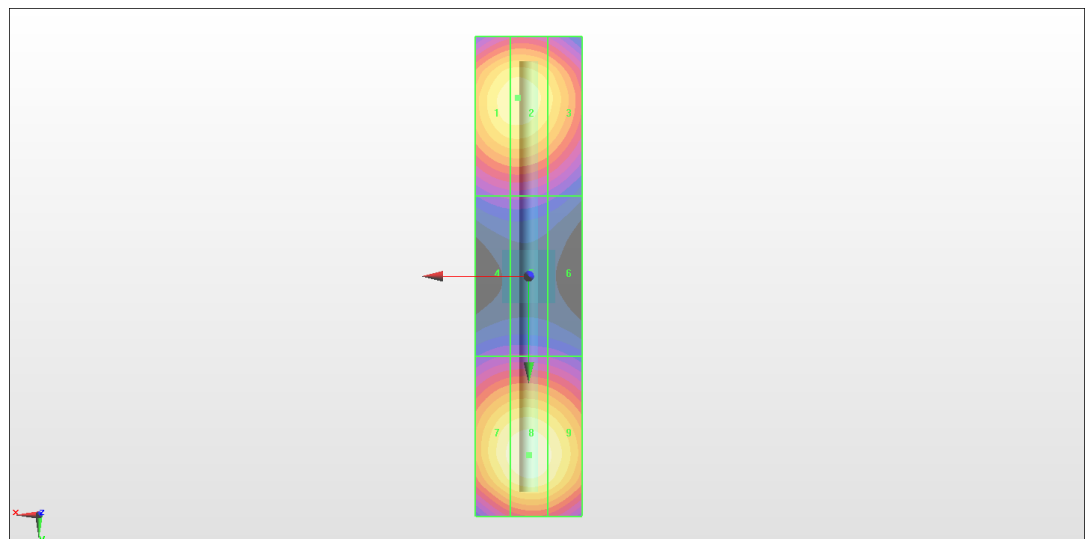
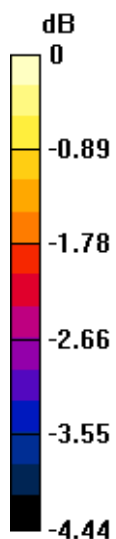
Grid 1 <b>M3</b> <b>86.40 V/m</b>	Grid 2 <b>M3</b> <b>86.62 V/m</b>	Grid 3 <b>M3</b> <b>82.90 V/m</b>
Grid 4 <b>M3</b> <b>64.86 V/m</b>	Grid 5 <b>M3</b> <b>64.96 V/m</b>	Grid 6 <b>M3</b> <b>64.11 V/m</b>
Grid 7 <b>M3</b> <b>88.14 V/m</b>	Grid 8 <b>M3</b> <b>90.15 V/m</b>	Grid 9 <b>M3</b> <b>88.05 V/m</b>

### Cursor:

Total = 90.15 V/m

E Category: M3

Location: 0, 33.5, 9.7 mm



0 dB = 90.15 V/m = 39.10 dBV/m

**HAC\_E\_Dipole\_1880**

**DUT: HAC-Dipole 1880 MHz**

Communication System: CW; Frequency: 1880 MHz;Duty Cycle: 1:1

Medium: Air Medium parameters used:  $\sigma = 0$  S/m,  $\epsilon_r = 1$ ;  $\rho = 0$  kg/m<sup>3</sup>

Ambient Temperature : 23.4 °C

**DASY5 Configuration:**

- Probe: EF3DV3 - SN4053 (5-6 GHz); ConvF(1, 1, 1); Calibrated: 2019.04.16;
- Sensor-Surface: (Fix Surface)
- Electronics: DAE4 Sn1437; Calibrated: 2018.10.15
- Phantom: HAC Test Arch with AMCC; Type: SD HAC P01 BA;
- Measurement SW: DASY52, Version 52.8 (8); SEMCAD X Version 14.6.10 (7331)

**E Scan - measurement distance from the probe sensor center to CD1880 = 10mm & 15mm/Hearing Aid Compatibility Test at 15mm distance (41x181x1): Interpolated grid:**

dx=0.5000 mm, dy=0.5000 mm

Device Reference Point: 0, 0, -6.3 mm

Reference Value = 169.6 V/m; Power Drift = -0.00 dB

PMR not calibrated. PMF = 1.000 is applied.

E-field emissions = 96.63 V/m

Average value of Total=(95.27+96.63)/2=95.95 V/m

PMF scaled E-field

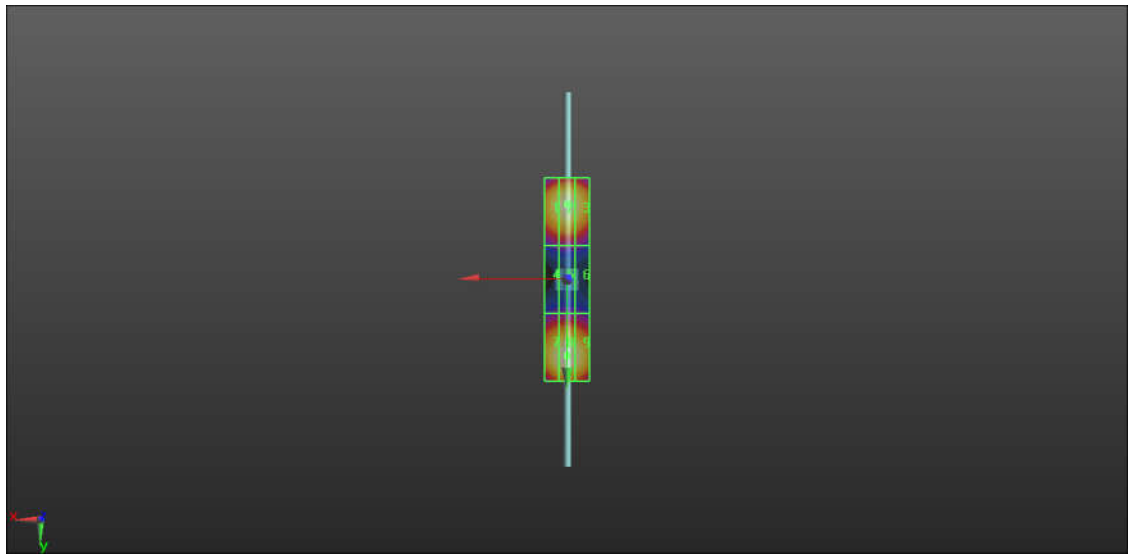
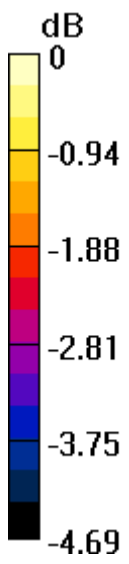
<b>Grid 1 M3</b> <b>93.33 V/m</b>	<b>Grid 2 M3</b> <b>95.27 V/m</b>	<b>Grid 3 M3</b> <b>93.23 V/m</b>
<b>Grid 4 M3</b> <b>68.87 V/m</b>	<b>Grid 5 M3</b> <b>69.47 V/m</b>	<b>Grid 6 M3</b> <b>68.78 V/m</b>
<b>Grid 7 M3</b> <b>94.88 V/m</b>	<b>Grid 8 M3</b> <b>96.63 V/m</b>	<b>Grid 9 M3</b> <b>94.75 V/m</b>

**Cursor:**

Total = 96.63 V/m

E Category: M3

Location: 0, 34, 9.7 mm



0 dB = 96.63 V/m = 39.85 dBV/m

# HAC\_E\_Dipole\_2600

## DUT: HAC Dipole 2600 MHz

Communication System: CW ; Frequency: 2600 MHz; Duty Cycle: 1:1

Medium: Air Medium parameters used:  $\sigma = 0 \text{ S/m}$ ,  $\epsilon_r = 1$ ;  $\rho = 0 \text{ kg/m}^3$

Ambient Temperature : 23.5 °C

### DASY5 Configuration:

- Probe: EF3DV3 - SN4047; ConvF(1, 1, 1) @ 2600 MHz; Calibrated: 2019/1/30
- Sensor-Surface: (Fix Surface)
- Electronics: DAE4 Sn914; Calibrated: 2019/6/20
- Phantom: HAC Test Arch with AMCC; Type: SD HAC P01 BA;
- Measurement SW: DASY52, Version 52.10 (2); SEMCAD X Version 14.6.12 (7470)

## E Scan - measurement distance from the probe sensor center to CD2600 = 10mm & 15mm/Hearing Aid Compatibility Test at 15mm distance (41x181x1): Interpolated grid: dx=0.5000 mm, dy=0.5000 mm

Device Reference Point: 0, 0, -6.3 mm

Reference Value = 72.66 V/m; Power Drift = -0.01 dB

PMR not calibrated. PMF = 1.000 is applied.

E-field emissions = 87.15 V/m

Average value of Total=(87.15+87.12) / 2 = 87.135 V/m

PMF scaled E-field

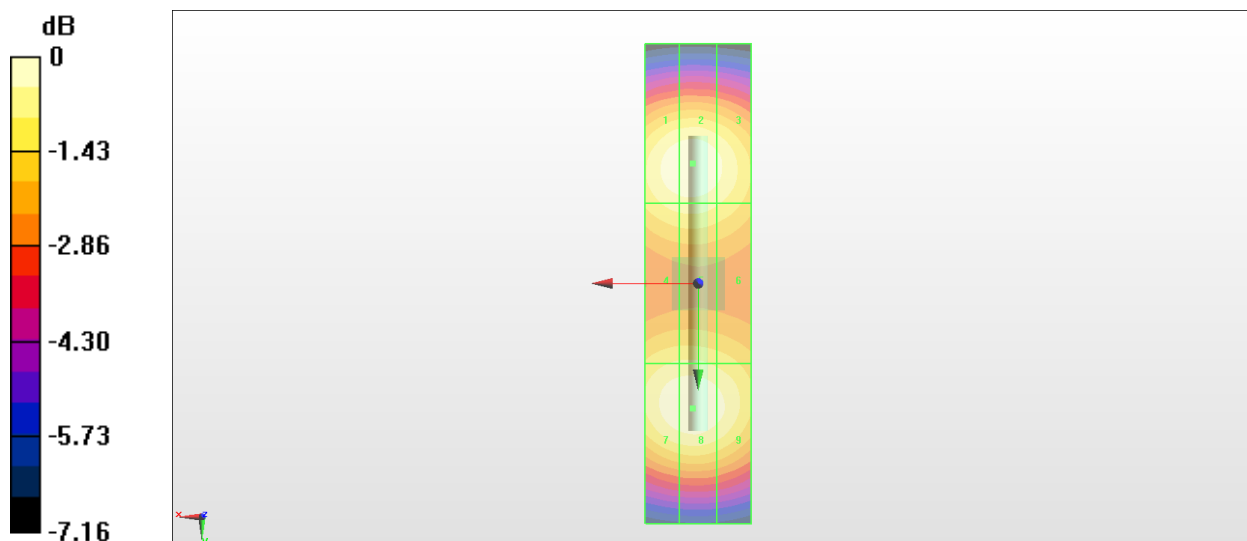
Grid 1 <b>M3</b> <b>86.39 V/m</b>	Grid 2 <b>M3</b> <b>87.15 V/m</b>	Grid 3 <b>M3</b> <b>83.88 V/m</b>
Grid 4 <b>M3</b> <b>80.58 V/m</b>	Grid 5 <b>M3</b> <b>81.00 V/m</b>	Grid 6 <b>M3</b> <b>78.70 V/m</b>
Grid 7 <b>M3</b> <b>86.47 V/m</b>	Grid 8 <b>M3</b> <b>87.12 V/m</b>	Grid 9 <b>M3</b> <b>84.33 V/m</b>

### Cursor:

Total = 87.15 V/m

E Category: M3

Location: 1, -22.5, 9.7 mm



0 dB = 87.15 V/m = 38.81 dBV/m

# HAC\_E\_Dipole\_3500

## DUT: HAC Dipole 3500 MHz

Communication System: CW ; Frequency: 3500 MHz;Duty Cycle: 1:1

Medium: Air Medium parameters used:  $\sigma = 0$  S/m,  $\epsilon_r = 1$ ;  $\rho = 0$  kg/m<sup>3</sup>

Ambient Temperature : 23.5 °C

### DASY5 Configuration:

- Probe: EF3DV3 - SN4047; ConvF(1, 1, 1) @ 3500 MHz; Calibrated: 2019/1/30
- Sensor-Surface: (Fix Surface)
- Electronics: DAE4 Sn914; Calibrated: 2019/6/20
- Phantom: HAC Test Arch with AMCC; Type: SD HAC P01 BA;
- Measurement SW: DASY52, Version 52.10 (2);SEMCAD X Version 14.6.12 (7470)

## E Scan - measurement distance from the probe sensor center to CD3500 = 10mm & 15mm/Hearing Aid Compatibility Test at 15mm distance (41x121x1): Interpolated grid: dx=0.5000 mm, dy=0.5000 mm

Device Reference Point: 0, 0, -6.3 mm

Reference Value = 38.01 V/m; Power Drift = -0.08 dB

PMR not calibrated. PMF = 1.000 is applied.

E-field emissions = 88.15 V/m

Average value of Total=(88.15+87.0) / 2 = 87.575 V/m

PMF scaled E-field

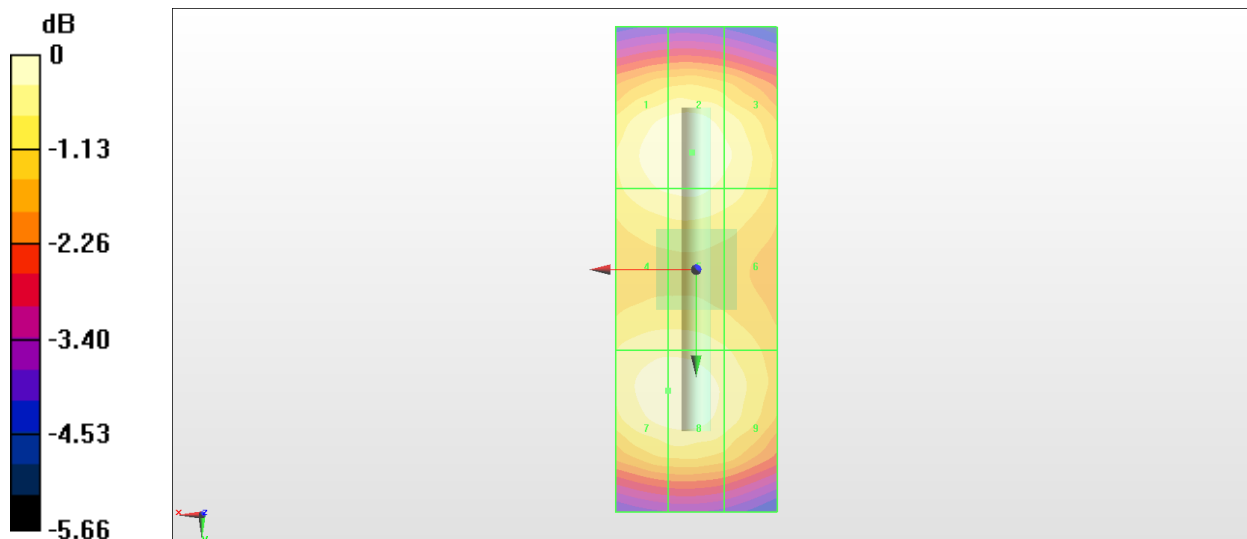
Grid 1 <b>M3</b> <b>87.43 V/m</b>	Grid 2 <b>M3</b> <b>88.15 V/m</b>	Grid 3 <b>M3</b> <b>85.22 V/m</b>
Grid 4 <b>M3</b> <b>84.90 V/m</b>	Grid 5 <b>M3</b> <b>85.40 V/m</b>	Grid 6 <b>M3</b> <b>83.28 V/m</b>
Grid 7 <b>M3</b> <b>87.00 V/m</b>	Grid 8 <b>M3</b> <b>87.00 V/m</b>	Grid 9 <b>M3</b> <b>83.96 V/m</b>

### Cursor:

Total = 88.15 V/m

E Category: M3

Location: 0.5, -14.5, 9.7 mm



0 dB = 88.15 V/m = 38.90 dBV/m