



# Tengxiang Technology.Inc

东莞市腾祥电子有限公司

Product Number: AN2400-FPC53BX

Product Name: Antenna

## Specification For Approval

Date: 2022.09.14

Version: 1.0

客户名称

Customer: \_\_\_\_\_

客户料号

Customer P/N: \_\_\_\_\_

腾祥料号

T X P/N:

AN2400-FPC53BX

规格描述

Description : 2.4G FPC 天线带支架 OD1.13mm 黑色双出线 35mm&45mm +IPEX

Tengxiang Checked By: 腾祥审核		Customer Approved By: 客户审核	
DRAWN 制作	路婷	TESTED BY 检测	
CHECKED BY 审核	胡超	CHECKED BY 审核	
Q.C.DEPT. 品管	梁凤珍	Q.C.DEPT. 品管	
APPROVED BY 核准	韦佳	APPROVEDBY 核准	



NO.53 Shatou ShaChong Road, ChangAn Town, Guangdong province, China

中国广东省东莞市长安镇沙头区沙涌路 53 号

TEL:86-769-81873082 FAX:86-769-82663788



# Tengxiang Technology.Inc

东莞市腾祥电子有限公司

Product Number: AN2400-FPC53BX

Product Name: Antenna

## Index:

1. Specification (规格)
2. Characteristics and Reliability Test (产品特性和可靠性测试标准)
3. Antenna - S Parameter Test Data (样品测试数据)
4. Antenna - Radiation Pattern Test Data (辐射模式测试数据)
5. Mechanical and Packing Drawing (图纸包装规范)

## Revision History (变更履历)

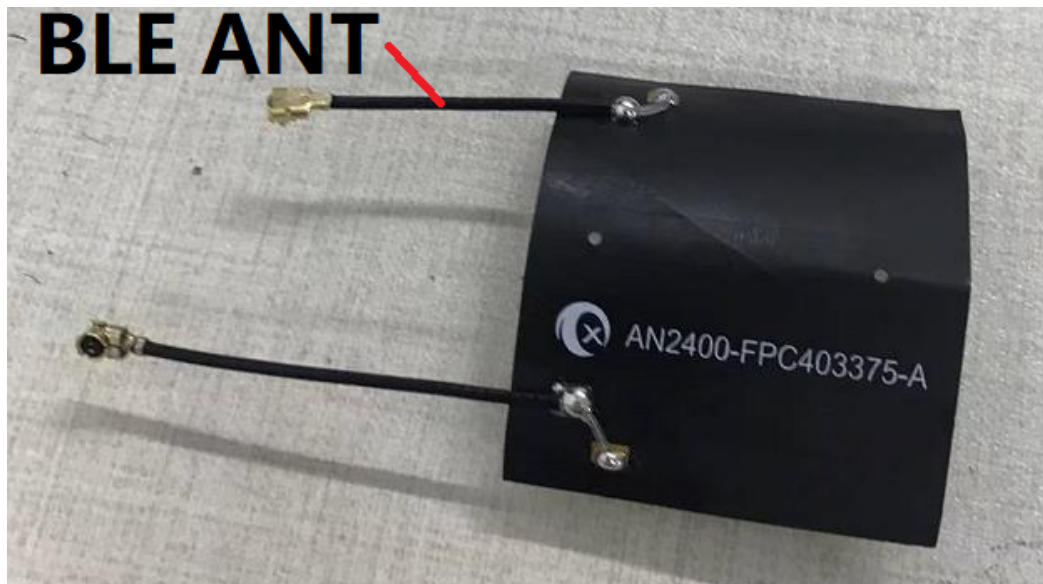
Revision	Date	Change Notification	Description
1.0	2022.09.14	初版	

Product Number: AN2400-FPC53BX

Product Name: Antenna

## 1. Specification

### Sample Photo



### A. Electrical Characteristics

Frequency 频率	2400-2500 MHz
S.W.R. 驻波比	<= 2.0
Antenna Gain 增益	L=35mm : 4.36dBi / L=45mm : 3.77dBi
Polarization 极化方式	Linear
Impedance 阻抗	50 Ohm

### B. Material & Mechanical Characteristics

Cable Type 线材规格	OD1.13mm ,Black
Connector Type 连接器规格	Mini con

### C. Environmental

Storage Temperature 存储温度	- 40°C ~ +80 °C
Operation Temperature 工作温度	- 40°C ~ +80 °C

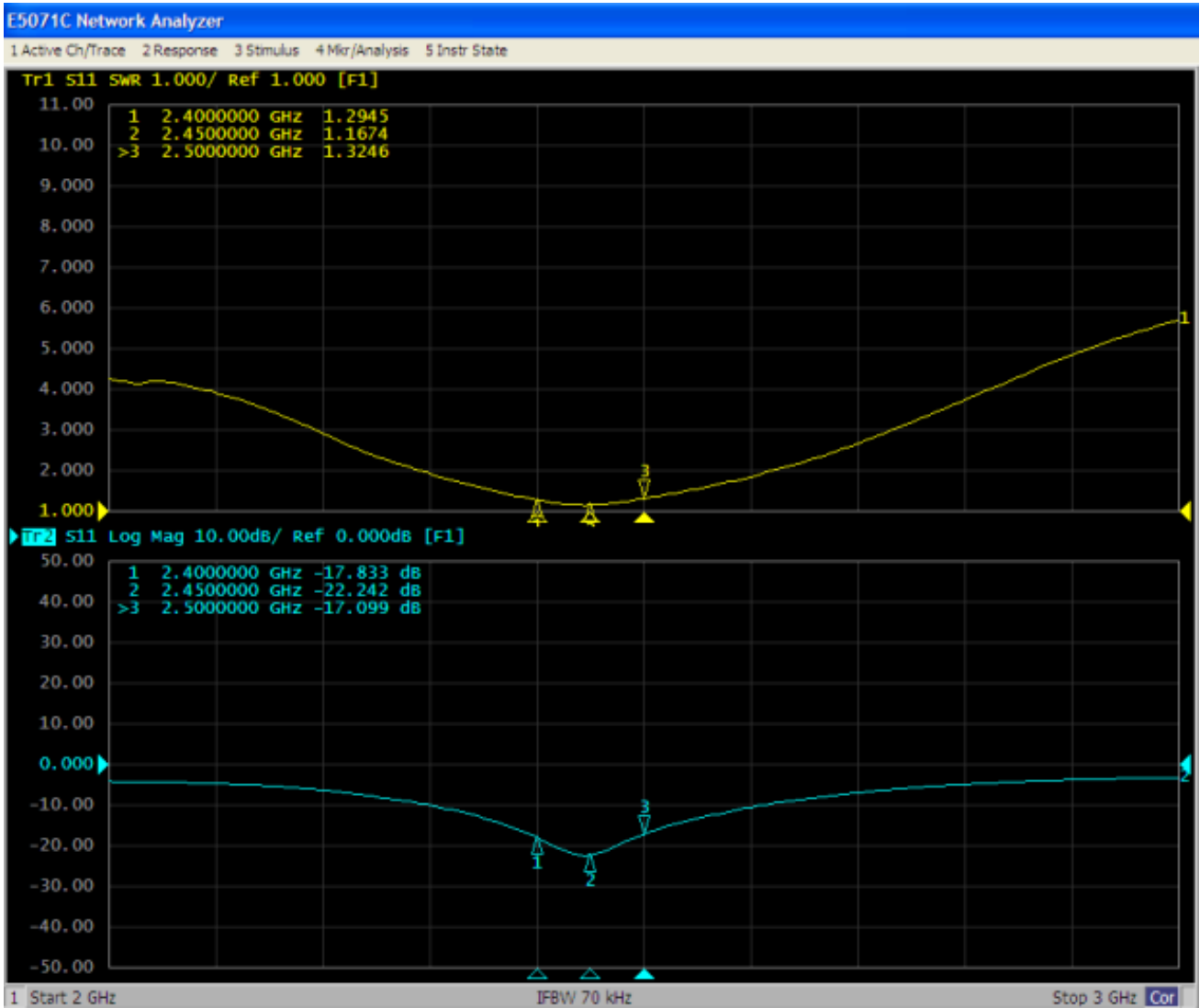
## 2. Characteristics and Reliability Test

Test Items 测试项目	Test Condition and Procedure 测试方法	Requirements 要求	Result 结果
1 V.S.W.R. 电压驻波比	Set DUT on Network Analyzer; make individual calibration to test 设置网络分析仪参数进行测试	Directive DUT specification 符合待测物规范	PASS
2 Insertion Loss 插入损失	Set DUT on Network Analyzer; make individual calibration to test 设置网络分析仪参数进行测试	Directive DUT specification 符合待测物规范	PASS
3 Antenna Gain 天线增益	Set DUT on Antenna Chamber; make individual calibration to test 设置天线暗室参数进行测试	Directive DUT specification 符合待测物规范	PASS
4 Solderability 可焊性	GB / T2423.28-2005 Temp: 260±5° C;Duration: 5 seconds 温度 260±5° C;持续 5 秒	Tin evenly on full 上锡均匀饱满	N/A
5 Pull Test 拉力	Holding with individual specification; force applied to axis of terminal .单独定义产品端子拉力	1. Directive DUT specification 2. Frequency Tol.≤5% 符合待测物规范;频率偏移≤5%	PASS
6 Dimension 尺寸	Inspection of dimension, color, material, package, surface process.检查尺寸,颜色,材料,包装,表面处理	Directive DUT specification 符合待测物规范	PASS
7 Salt Spray 盐雾	GB / T 2423.17-2008 Temp: 35°C; RH: ≥ 95%; NaCl solution: ≥ 5%;Time: 24H 温度 35°C; 湿度≥95%;盐水浓度≥5%; 测试 24H	1. No Visual Damage 2. Frequency Tol.≤5% 无明显外观不良;频率偏移≤5%	PASS
8 RoHS	With Reference to IEC 62321:2008 with flow chart 参考 IEC 62321 测试流程	Directive RoHS 2015/863/EU 符合 RoHS 2015/863/EU 标准	PASS

Product Number: AN2400-FPC53BX

Product Name: Antenna

### 3. Antenna - S Parameter Test Data

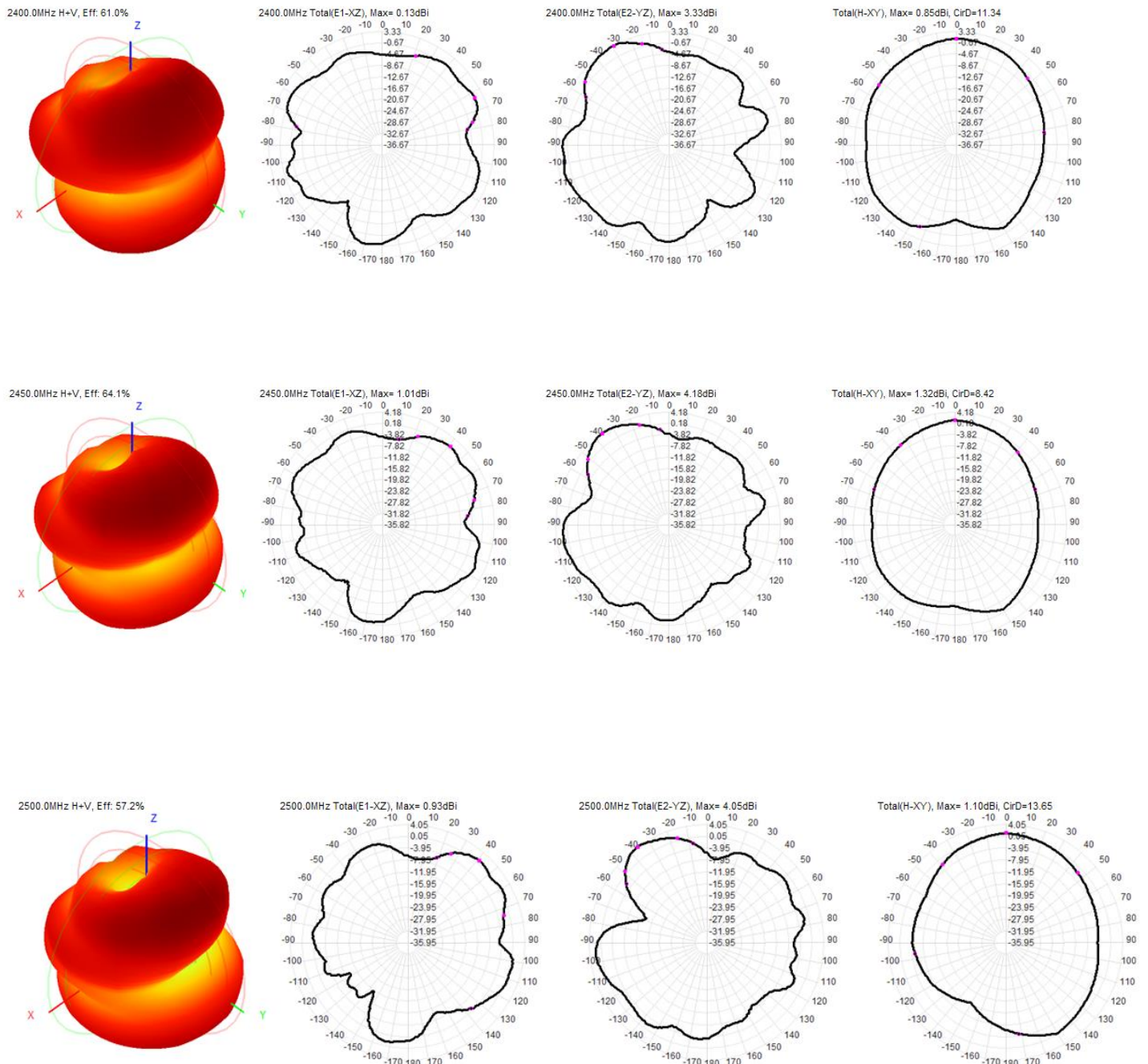


**L= 35mm**

Frequency ID	1	2	3	4	5	6	7	8	9	10	11
Frequency (MHz)	2400.0	2410.0	2420.0	2430.0	2440.0	2450.0	2460.0	2470.0	2480.0	2490.0	2500.0
Gain (dBi)	3.33	3.47	3.70	4.01	4.26	4.32	4.32	4.31	4.36	4.31	4.17
Efficiency (%)	60.98	62.63	64.43	65.09	66.17	64.09	61.41	59.19	59.57	58.40	57.24

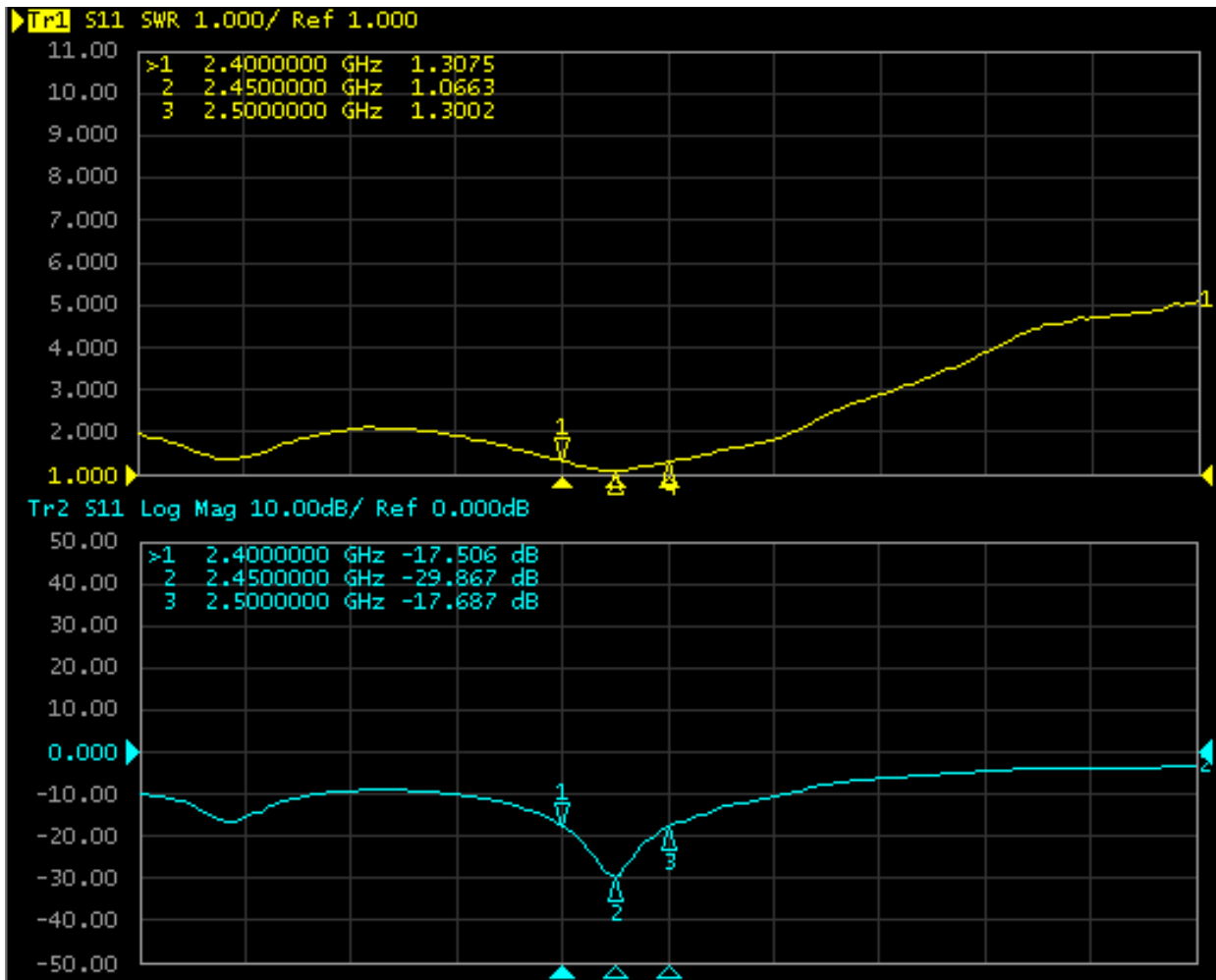
Product Number: AN2400-FPC53BX

Product Name: Antenna



Product Number: AN2400-FPC53BX

Product Name: Antenna

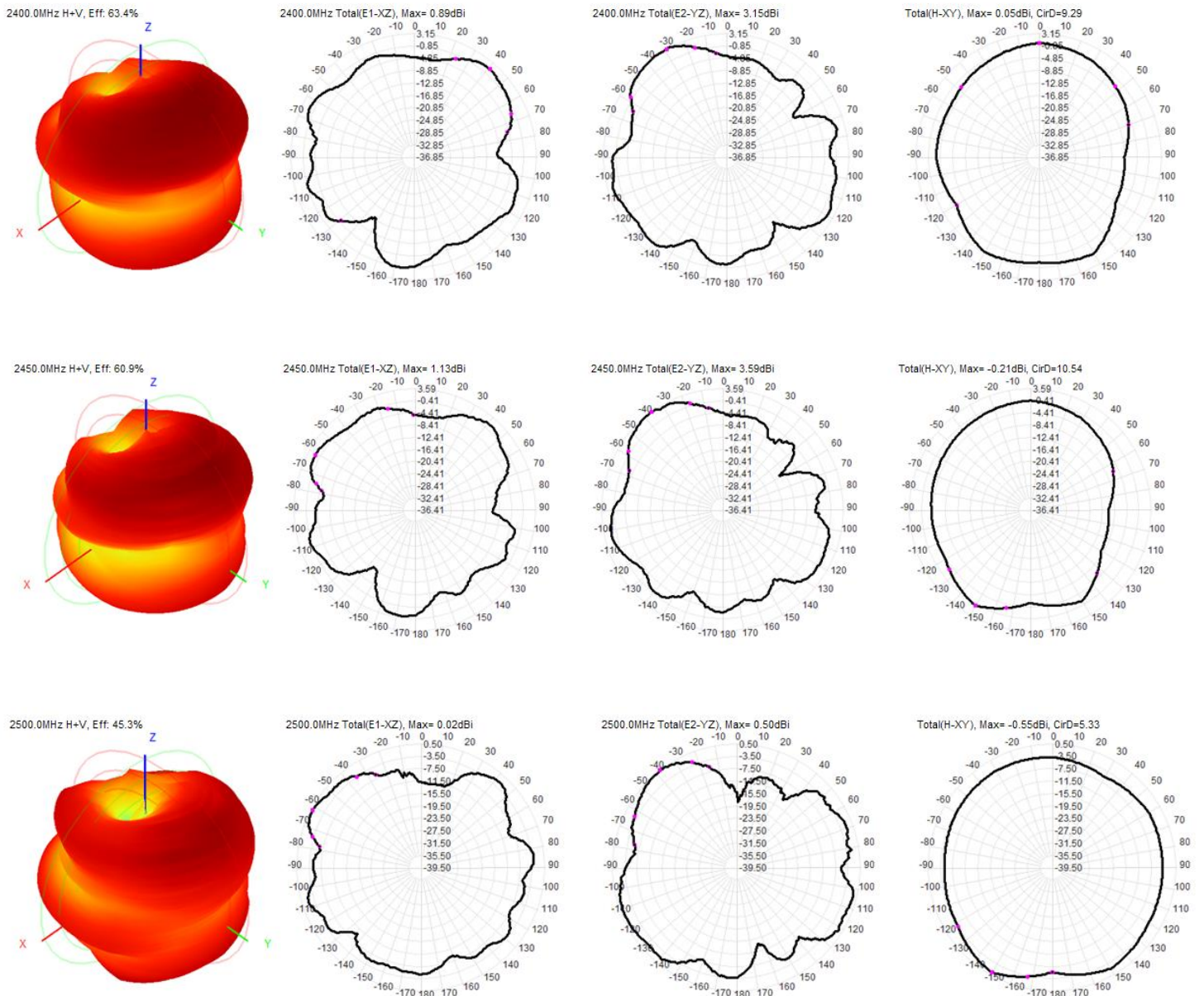


**L= 45mm**

Frequency ID	1	2	3	4	5	6	7	8	9	10	11
Frequency (MHz)	2400.0	2410.0	2420.0	2430.0	2440.0	2450.0	2460.0	2470.0	2480.0	2490.0	2500.0
Gain (dBi)	3.15	3.31	3.60	3.70	3.77	3.59	3.18	2.71	1.85	0.97	1.39
Efficiency (%)	63.40	64.12	66.17	64.67	63.99	60.90	54.71	50.18	46.50	44.25	45.28

Product Number: AN2400-FPC53BX

Product Name: Antenna

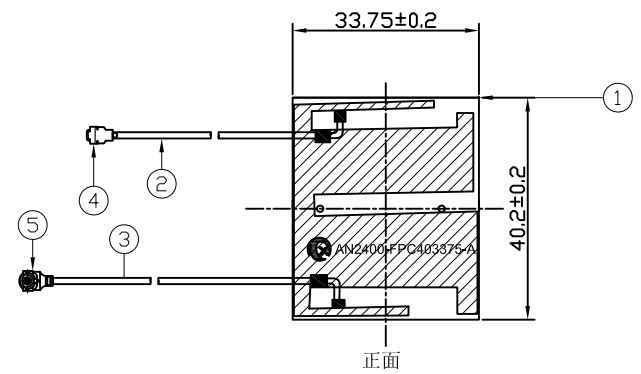
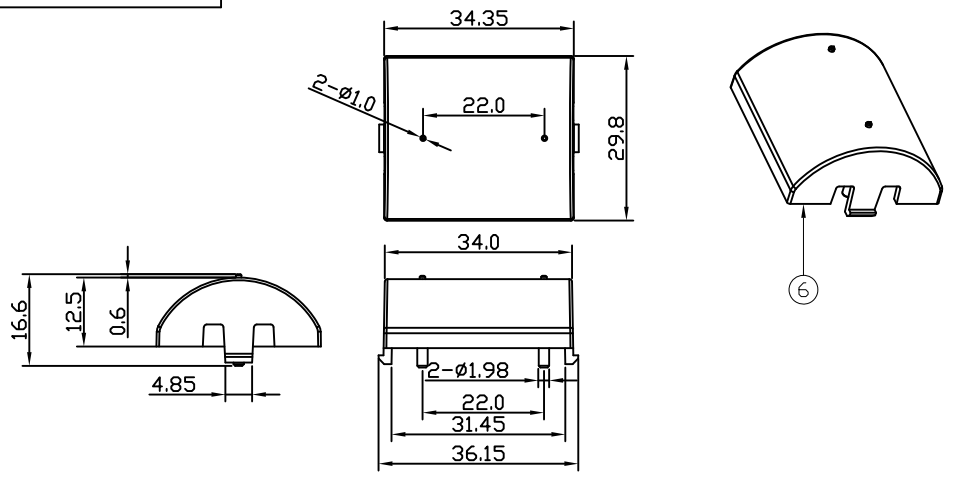


4. Mechanical Drawing See attached files

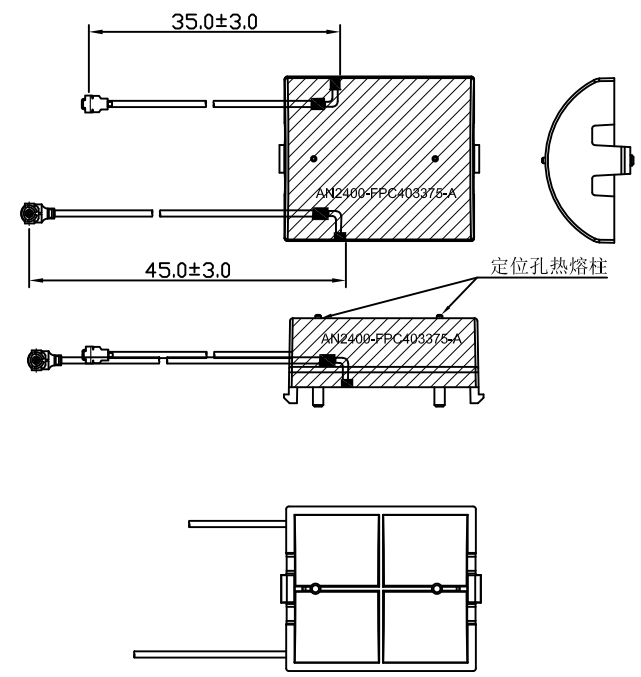


HF   
 RoHS2.0   
 REACH   
**CONFIDENTIAL**

SIGN	DATE	DESCRIPTION	APPROVER
△			
△			
△			





FPC 对应粘贴到塑胶支架  
 注意对应限位孔以及组装方向



4	HOD-FPC-3616	HOLD	Cu	Black	1
4	CR-113-ZP-A	I-PEX	Cu	Au plated	1
4	CR-113-ZP-A	I-PEX	Cu	Au plated	1
3	CB-113BS	Coaxial Cable	OD1.13mm	Black 45mm	1
2	CB-113BS	Coaxial Cable	OD1.13mm	Black 35mm	1
1	AN2400-FPC403375-A	FPC		Black	1
No.	Part Number	Name	Material	Finish	Q'ty

Note:  
 1. Mark \* is important dimension; "Cpk" Identify for process control (Cpk ≥ 1.33).  
 2. Tolerance: Unmarked tolerance refer to the standard tolerance please.

 **Tengxiang Electronics Co., Ltd.**

TITLE: 2400-2500 MHz					
PART NO.: AN2400-FPC52BX			CUSTOMER P/N: /		
APP BY	CHK BY	RF BY	DES BY	 Tolerance X.X ±0.3 X.XX ±0.1 X° ±1	
YTX	YCX	WJ	HC		
2022.09.14	2022.09.14	2022.09.14	2022.09.14		
				UNITS: mm	
				SCALE: 1/1	
				REVISION: A	

# 產品包裝規範

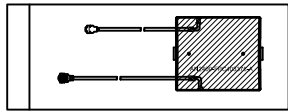
## PACKING CRITERION

Date: 2022.09.14

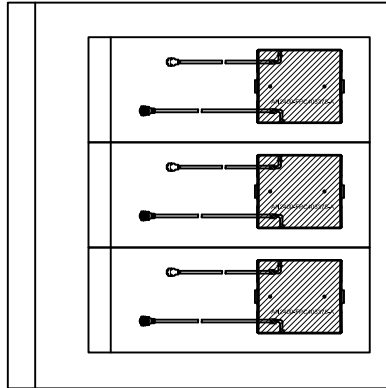
Page: 1 of 1

Part Number : AN2400-FPC52BX	Revision : A
Name: Antenna	Customer : ALL

1. Enter PE bag.

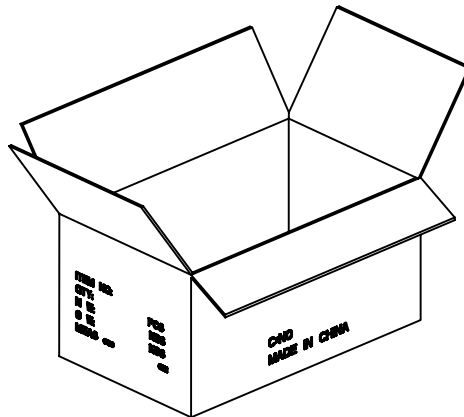


1pcs/ PE bag



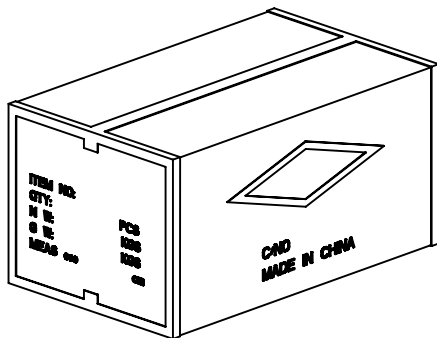
50pcs/ PE bag

2.PACKING.

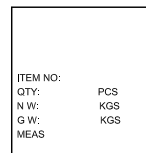


500pcs/Carton

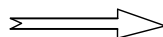
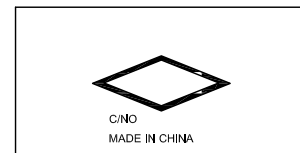
3. SEALING.



SIDE



FRONT



APPROVED BY: YTX

CHECKED BY: YCX

DESIGNED BY: HC