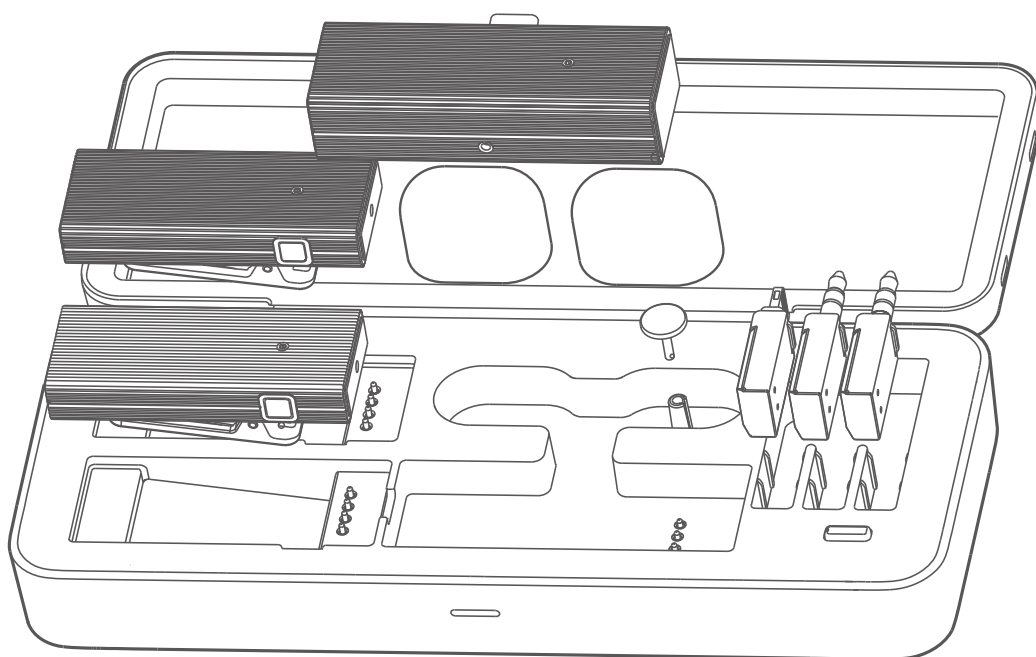


Godox



# MoveLink Mini

MoveLink Mini 2.4GHz 无线麦克风系统  
MoveLink Mini 2.4GHz Wireless Microphone System

使用手册

Instruction Manual

## 前言

感谢购买神牛产品!

欢迎使用神牛 2.4GHz 无线麦克风系统 MoveLink Mini，利用 2.4G 波段来传输的音频产品。本产品体积小、续航长，可通过不同转接头兼容各类设备，亦提供一发一收、两发一收的套装选择，适用于直播、采访、授课、短视频拍摄等场景。请仔细阅读本说明书，以便能正确的操作，发挥本产品的优越性能。

## 主要特点

- 全球通用频段 2.4GHz 无线技术，采用跳频技术可避免同频干扰；可跟 WIFI、蓝牙同时使用（在大量 WIFI 节点存在的场合会受影响）；
- 无障碍传输距离最大可达 100 米（FCC标准，在无干扰室外空旷环境下的测试结果）；
- 发射器新增降噪功能；
- 输出音量控制，提供静音功能；
- 一键配对，发射 / 接收匹配稳定；
- 可自由搭配 Type-C 或 Lightning 转接头，兼容各类设备；
- 标配充电盒，为发射器 / 接收器充电的同时亦提供收纳功能；

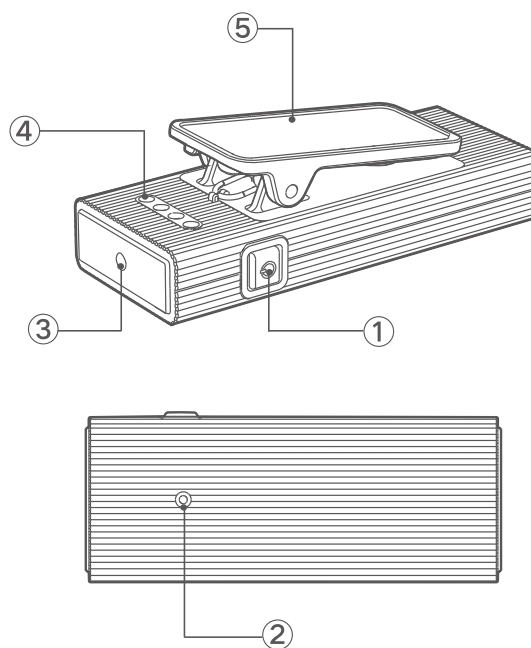
## 警告

- ⚠ 麦克风是精密设备。请勿使其掉落或受到撞击，以避免发生故障。
- ⚠ 请勿私自拆卸、改装或尝试维修本产品。产品如出现故障须由本公司或授权的维修人员进行检查维修。
- ⚠ 请保持干燥，请勿用湿手握持本产品，亦不可将产品浸入水中或暴露于雨中。
- ⚠ 请勿将本产品存放在阳光直射的地方、加热装置附近或者炎热、潮湿或多尘的地方。
- ⚠ 请勿让儿童接触本产品，以避免发生意外。
- ⚠ 请勿在易燃易爆环境中使用。在这些场合下，请注意相关警告标识。
- ⚠ 请勿放置在超过 50 度的高温环境中。
- ⚠ 请仔细阅读并遵守由厂商提供的警告或指示。

# 产品结构

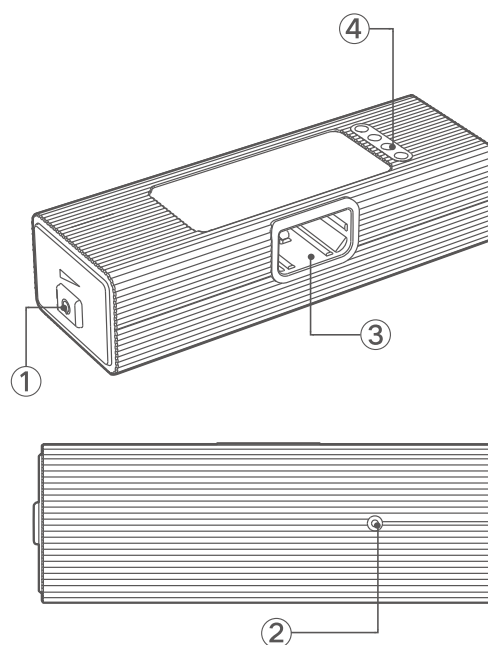
## 发射器 MoveLink Mini TX

1. 电源 / 静音 / 降噪键
2. 指示灯
3. 内置麦克风
4. 4 点针式充电接口
5. 背夹



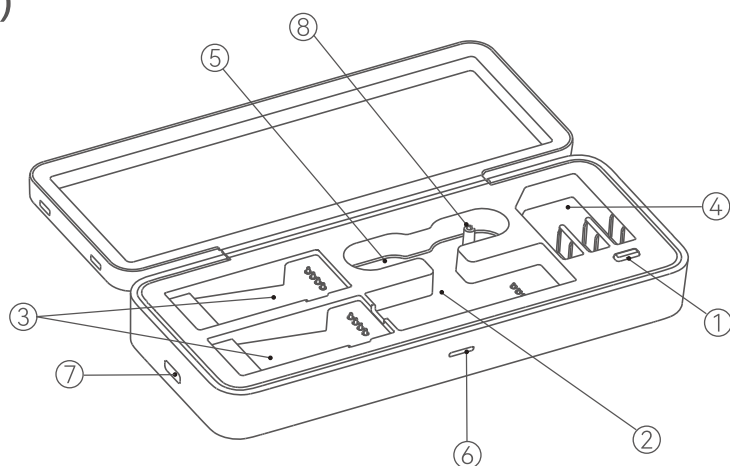
## 接收器 MoveLink Mini RX

1. 电源 / 增益键
2. 指示灯
3. 转接头接口
4. 4 点针式充电接口



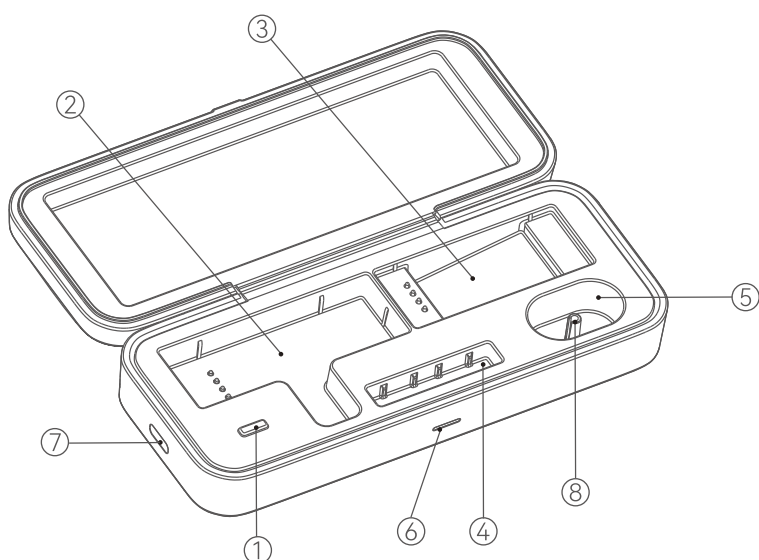
## 充电盒 ML-C2(一拖二套装)

1. 配对键
2. 接收器凹槽
3. 发射器凹槽
4. 转接头凹槽
5. 防风棉凹槽
6. 指示灯
7. Type-C 充电口
8. 顶针固定孔

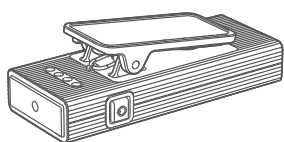


## 充电盒(一拖一套装)

1. 配对键
2. 接收器凹槽
3. 发射器凹槽
4. 转接头凹槽
5. 防风棉凹槽
6. 指示灯
7. Type-C 充电口
8. 顶针固定孔

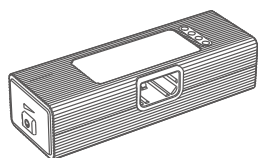


## 包装清单



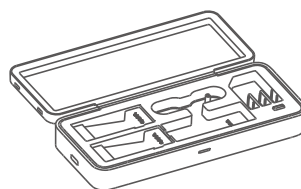
发射器  
MoveLink Mini TX

①



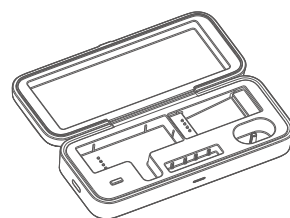
接收器  
MoveLink Mini RX

②



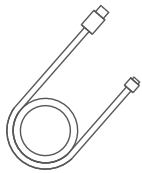
充电盒 ML-C2  
(适用于Kit2套装)

③



充电盒  
(适用于Kit1套装)

④



USB转Type-C  
数据线

⑤



3.5mm TRS音频转接头  
MoveLink Mini Adpt. 1

⑥



3.5mm TRRS音频转接头  
MoveLink Mini Adpt. 2

⑦



防风海绵

⑧



Lightning 音频转接头  
MoveLink Mini Adpt. LT  
(适用于LT套装)

⑨



Type-C 音频转接头  
MoveLink Mini Adpt. UC  
(适用于UC套装)

⑩



手提绳

⑪



顶针

⑫

温馨提示：说明书中线图均为示意图，仅供参考。由于产品不断更新与升级，产品实物与线图可能存在差异，请以实物为准。

套装名称	型号	标配物品
MoveLink Mini 2.4GHz无线麦克风系统(适配Type-C接口设备)	MoveLink Mini UC Kit1	①×1、②×1、④×1、⑤×1、⑥×1、⑦×1、⑧×1、⑩×1、⑪×1、⑫×1
MoveLink Mini 2.4GHz无线麦克风系统(适配 Lightning接口设备)	MoveLink Mini LT Kit1	①×1、②×1、④×1、⑤×1、⑥×1、⑦×1、⑧×1、⑨×1、⑪×1、⑫×1
MoveLink Mini 2.4GHz无线麦克风系统(适配Type-C接口设备)	MoveLink Mini UC Kit2	①×2、②×1、③×1、⑤×1、⑥×1、⑦×1、⑧×2、⑩×1、⑪×1、⑫×1
MoveLink Mini 2.4GHz无线麦克风系统(适配 Lightning接口设备)	MoveLink Mini LT Kit2	①×2、②×1、③×1、⑤×1、⑥×1、⑦×1、⑧×2、⑨×1、⑪×1、⑫×1

## 按键说明

### 1. 发射器电源 / 静音键 / 降噪键

长按3秒为开机，配对不成功指示灯长亮黄色，配对成功指示灯长亮蓝色；短按为静音，指示灯长亮红色；双击为启用降噪（闪两次紫灯）/关闭降噪（闪两次绿灯），开机默认为关闭降噪。

### 2. 接收器电源 / 增益键

长按3秒为开机，配对不成功指示灯长亮黄色，配对成功指示灯长亮蓝色；短按为两档增益，一档为-33dB增益，亮绿色灯，二档为-43dB增益，亮紫色灯，闪烁周期 0.5秒。

### 3. 充电盒配对键

短按配对键，发射器和接收器进入配对状态，快闪绿色。Kit2套装的两个发射器都配对成功后，接收器会马上退出配对状态；否则，10s后退出配对状态。

### 4. 长按复位

因长时间不使用或其他情况无法开机时，先将机器放入充电盒内充电，确定机器有电后取出，然后长按电源键10秒，即可实现复位功能。

## 指示灯说明

### 发射器

1. 正常开机未配对状态下指示灯长亮黄色，配对成功后指示灯转为长亮蓝色；电量低于10%时，指示灯为红色闪烁。
2. 静音后指示灯长亮红色。
3. 启用降噪：闪两次紫灯；关闭降噪：闪两次绿灯。
4. 盒内充电：有故障或者接触不良时，指示灯不亮；开盒正常充电时，指示灯显示蓝色呼吸灯，充满后长亮蓝色（配对成功）或黄色（未配对）；关盒正常充电时蓝色灯闪，充满后灭灯。
5. 盒内配对：配对状态为绿色快闪，配对失败会退出配对状态，然后长亮黄色，配对成功则跳转为充电状态。

## 接收器

1. 正常开机未配对状态下指示灯长亮黄色，配对成功后指示灯转为长亮蓝色；电量低于10%时，指示灯为红色闪烁。
2. 两档增益：一档时亮紫色灯，二档时亮绿色灯，闪烁周期 0.5 秒。
3. 盒内充电：有故障或者接触不良时，指示灯不亮；正常充电时，指示灯显示蓝色呼吸灯，充满后长亮蓝色（配对成功）或黄色（未配对）；关盒正常充电时蓝色灯闪，充满后灭灯。
4. 盒内配对：配对状态为绿色快闪，配对失败会退出配对状态，然后长亮黄色，配对成功则跳转为充电状态。

注：1. 当发射器在接收器正常接收范围内时配对连接，指示灯长亮蓝色；当发射器超过接收器正常接收范围时，指示灯长亮黄色；重回正常接收距离后自动转为长亮蓝色。

2. 发射器和接收器放入充电盒时，进入充电模式，关盒后充满会自动关机，开盒后自动开机，可正常使用。

## 充电盒

1. 充电：对充电盒充电时指示灯为白色呼吸灯，充满电转长亮白色。
2. 放电：当单个接收器或发射器，或接收器和发射器同时放进充电盒中充电时，发射器与接收器充满状态下需短按配对键触发充电，发射器和接收器未充满时长亮白色灯，充满灭灯。当充电盒电量低于10%时，白色灯闪烁。

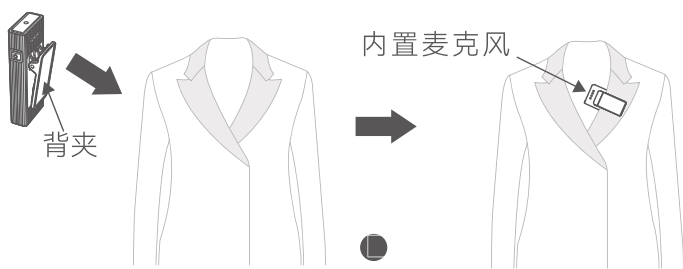
## 使用方法

### 1. 配对

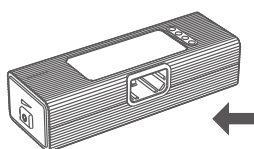
将发射器和接收器放入充电盒，按下配对键进入配对模式，绿色快闪，配对成功接收器和发射器长亮蓝色（充满为蓝色，未充满蓝色呼吸灯）。或手动开启发射器和接收器电源，设备在正常接收范围内会自动进行配对，配对成功指示灯长亮蓝色。

### 2. 安装

将发射器通过背夹安装到衣领上，使内置麦克风指向音源方向，请勿覆盖内置麦克风，以免影响音效。



选择适用的转接头，插入接收器凹槽中，然后将接收器连接相应设备，即可开始使用。



- ① MoveLink Mini 2.4GHz 3.5mm TRS 音频转接头
- ② MoveLink Mini 2.4GHz 3.5mm TRRS 音频转接头
- ③ MoveLink Mini 2.4GHz Type-C 音频转接头
- ④ MoveLink Mini 2.4GHz Lightning 音频转接头

## 规格参数

名称	发射器	接收器
型号	MoveLink Mini TX	MoveLink Mini RX
信号传输	2.4G	
拾音模式	全向型	
频率范围	50Hz-16KHz	
SPL	110dB	
信噪比	> 65dB	
总谐波失真	< 5% at 1kHz	
最大无障碍传输距离	100 米（FCC标准，在无干扰室外空旷环境下的测试结果）	
工作环境温度	-10~50°C	
输入参数	内置锂电池 3.7V, 100mAh, 0.37Wh	内置锂电池 3.7V, 150mAh, 0.555Wh
尺寸	53mm*21mm*17mm	61mm*21mm*15mm
净重	12g	14g

名称	充电盒	
型号	ML-C2	/
输入参数	内置锂电池3.7V,1370mAh, 5.069Wh/Type-C 1A/5V	内置锂电池3.7V ,800mAh, 2.96Wh/Type-C 500mA/5V
尺寸	163mm*65mm*32mm	139mm*57mm*28mm
净重	180g	115g

规格参数如有变更，恕不另行通知。



## 维护保养

避免跌落：如果受到强烈碰撞或振动，此设备可能会发生故障。

保持干燥：本产品是非防水产品，如果将其浸入水中或放置于高湿度的环境中将可能发生故障。内部构造生锈可能会导致无法修理的损害。

避免温度骤变：温度的突变，诸如在寒冷天进出温暖的大楼将可能会使产品内部结露。

为避免结露，请将本产品事先装入手提袋或塑料包内，以防温度突变。

远离强磁场：无线电广播发射机等设备产生的强静电或强磁场可能会干扰本产品正常工作。

如有技术更改，恕不另行通知。

## Foreword

Thank you for purchasing!

MoveLink Mini is the new microphone system that transmits audio using 2.4GHz wireless frequency, with the characteristics of compact and portable, long battery life, and compatible with various devices by different adapters. Kits include one transmitter and one receiver, as well as kits include two transmitters and one receiver are available for you choice. It's suitable for live streaming, interview, lecturing, video recording, etc. Please read this manual carefully before using to make sure the correct operation and exert the optimum function.

## Main Feature

- Globally universal 2.4GHz wireless frequency, which can be used in WIFI and Bluetooth simultaneously.
- The maximum barrier-free transmission distance up to 100m(tested in barrier-free outdoor environment according to FCC standard).
- Transmitter upgrades denoise function.
- Output volume adjustment and silent function available.
- Convenient matching and stable transmitting and receiving.
- Compatible with various devices by Type-C or Lightning adapters.
- Attached charging case provides both charging and storage functions.

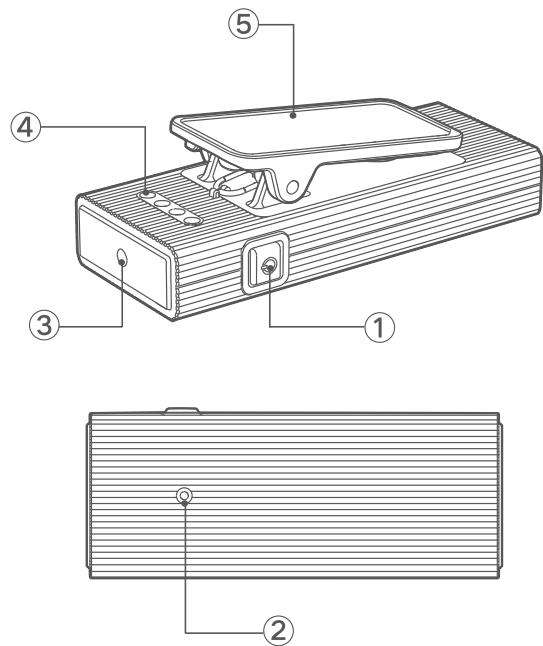
## Warning

- ⚠ This product is high-precision instrument, please avoid falling, collision or pounding.
- ⚠ Do not disassemble. Should repairs become necessary, this product must be sent to our Company or an authorized maintenance center.
- ⚠ Always keep this product dry. Do not use in rain or damp conditions.
- ⚠ Do not leave or store this product in the environment of direct sunlight, near heating devices, or in hot, humid or dusty.
- ⚠ Keep out of reach of children.
- ⚠ Do not use in flammable and explosive environments. Pay attention to the relevant warning signs.
- ⚠ Do not leave or store the product if the ambient temperature reads over 50°C.
- ⚠ Please read carefully and follow the warnings or instructions provided by the manufacturer.

# Structure of Product

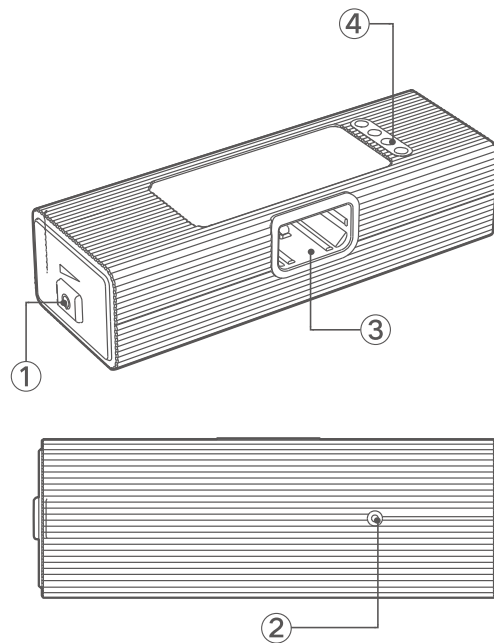
## Transmitter(MoveLink Mini TX)

1. Power Switch / Mute / Denoise Button
2. Indication Lamp
3. Built-in Microphone
4. Charging Points
5. Back Clip



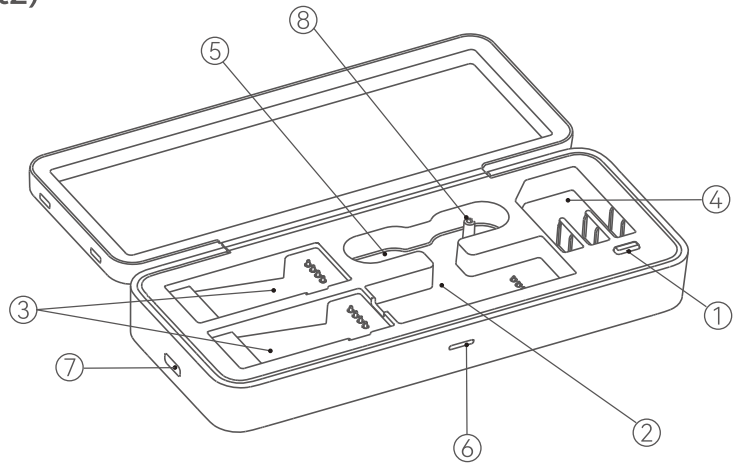
## Receiver(MoveLink Mini RX)

1. Power Switch/Gain Control Button
2. Indication Lamp
3. Adapter Port
4. Charging Points



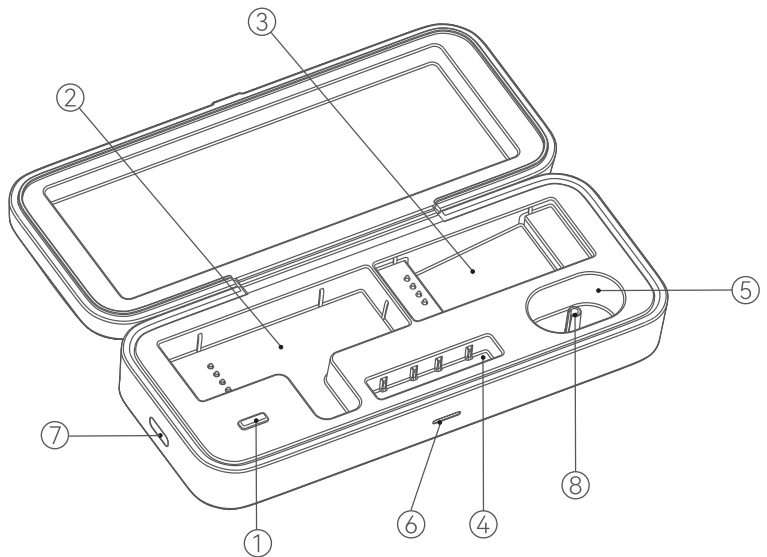
## Charging Case(ML-C2) (for Kit2)

1. Pairing Button
2. Receiver's Slot
3. Transmitter's Slot
4. Adapter's Slot
5. Wind Cap's Slot
6. Indication Lamp
7. Type-C Charging Port
8. Pin Hole

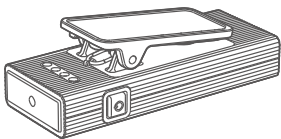


## Charging Case (for Kit1)

1. Pairing Button
2. Receiver's Slot
3. Transmitter's Slot
4. Adapter's Slot
5. Wind Cap's Slot
6. Indication Lamp
7. Type-C Charging Port
8. Pin Hole

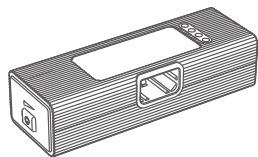


## What's in the Box



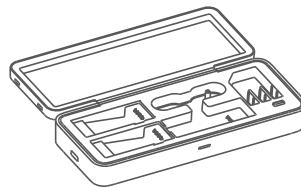
Transmitter  
(MoveLink Mini TX)

①



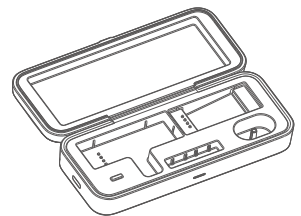
Receiver  
(MoveLink Mini RX)

②



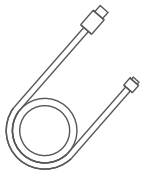
Charging Case  
(ML-C2)(for Kit2)

③



Charging Case  
ML-C5 (for Kit1)

④



USB to Type-C Data Cable

⑤



3.5mm TRS Audio Adapter (MoveLink Mini Adpt.1)

⑥



3.5mm TRRS Audio Adapter (MoveLink Mini Adpt.2)

⑦



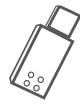
Wind Cap

⑧



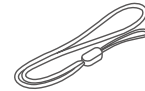
Lightning Adapter (MoveLink Mini Adpt.LT) (for LT Kit)

⑨



USB to Type-C Adapter (MoveLink Mini Adpt.UC) (for UC Kit)

⑩



Portable Rope

⑪



Pin

⑫

Note: Due to continuous updates and upgrades of the products, there may be differences between the actual products and the pictures. Therefore, the pictures are for reference only, products to prevail in kind.

Kit Name	Model	Package List
MoveLink Mini 2.4GHz Wireless Microphone System for Type-C Device	MoveLink Mini UC Kit1	①×1、②×1、④×1、⑤×1、⑥×1、⑦×1、⑧×1、⑩×1、⑪×1、⑫×1
MoveLink Mini 2.4GHz Wireless Microphone System for iOS Lightning Device	MoveLink Mini LT Kit1	①×1、②×1、④×1、⑤×1、⑥×1、⑦×1、⑧×1、⑨×1、⑪×1、⑫×1
MoveLink Mini 2.4GHz Wireless Microphone System for Type-C Device	MoveLink Mini UC Kit2	①×2、②×1、③×1、⑤×1、⑥×1、⑦×1、⑧×2、⑩×1、⑪×1、⑫×1
MoveLink Mini 2.4GHz Wireless Microphone System for iOS Lightning Device	MoveLink Mini LT Kit2	①×2、②×1、③×1、⑤×1、⑥×1、⑦×1、⑧×2、⑨×1、⑪×1、⑫×1

## Buttons Instruction

### 1. Power Switch/Mute/Denoise Button on Transmitter

Long press for 3 seconds to turn on the device, the indication lamp will be constant on yellow in unpaired status and blue in paired status. Short press to enter mute mode, the indication lamp will be constant on red. Short press twice quickly to enter denoise mode (the indication lamp will flash purple twice)/exit denoise mode (the indication lamp will flash green twice), the denoise mode is off by default after powered on.

### 2. Power Switch/Gain Control Button on Receiver

Long press for 3 seconds to turn on the device, the indication lamp will be constant on yellow in unpaired status and blue in paired status. Short press to adjust the output volume, the indication lamp will flash green every 0.5 seconds in level 1 (-33dB), and purple every 0.5 second in level 2 (-43dB).

### 3. Pairing Button on Charging Case

Short press to pair, the transmitter and receiver will flash green quickly. The receiver will exit pairing status if successfully paired with two transmitters in Kit2, otherwise, it will exit pairing status after 10s..

### 4. Long Press to Reset

If the transmitter or receiver cannot be turned on due to long-term idle use or other reasons, put them into the charging case, take out after the devices have been charged, then press and hold the power switch button for 10 seconds to reset.

## Indication Lamps Instruction

### Transmitter

1. The indication lamp will be constant on yellow when the transmitter is powered on but unpaired, then turn to constant on blue after paired. When the battery level is lower than 10%, the indication lamp will flash red.
2. The indication lamp will be constant on red in mute mode.
3. Enter denoise mode: the indication lamp will flash purple twice. Exit denoise mode: the indication lamp will flash green twice.
4. Charging in the case: The indication lamp will not lighten on when in malfunction or poor contact. It will breathe in blue when charging normally with the case open, and be constant on blue (paired) or yellow (unpaired) after fully charged. While it will breathe in blue when charging normally with the case closed, and off after fully charged.

5. Pairing in the case: The indication lamp will flash green quickly in pairing, exit pairing status if failed and then be constant on yellow, while automatically turn to charging mode if paired successfully.

## Receiver

1. The indication lamp will be constant on yellow when the receiver is powered on but unpaired, then turn to constant on blue after paired. When the battery level is lower than 10%, the indication lamp will flash red.
2. Gain control: The indication lamp will flash purple every 0.5 seconds when in level 1, and green every 0.5 seconds when in level 2.
3. Charging in the case: The indication lamp will not lighten on when in malfunction or poor contact. It will breathe in blue when charging normally with the case open, and be constant on blue (paired) or yellow (unpaired) after fully charged. While it will breathe in blue when charging normally with the case closed, and off after fully charged.
4. Pairing in the case: The indication lamp will flash green quickly in pairing, exit pairing status if failed and then be constant on yellow, while automatically turn to charging mode if paired successfully.

**Note:**1. When the transmitter is within the receiving range of the receiver, the indication lamp will be constant on blue. When the transmitter is beyond the receiving range, the indication lamp will be constant on yellow, and automatically turn to constant on blue after back to the receiving distance.

2. The transmitter and receiver will automatically enter into charging mode when put into the charging case. They will automatically shut down after fully charged when the case is closed, then automatically boot up when the case is opened.

## Charging Case

1. Charging: The indicator lamp will breathe in white when in charging mode, and turn to constant on white after fully charged.
2. Discharging: When the receiver and transmitter are put into the charging case respectively or at the same time, short press the pairing button to trigger charging if the devices are fully charged. The indication lamp will be constant on white when transmitter and receiver are not fully charged while off after fully charged. It will flash white when the battery level is lower than 10%.

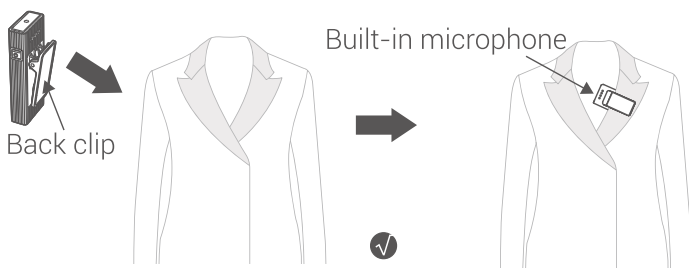
# Operating Instruction

## 1. Pairing

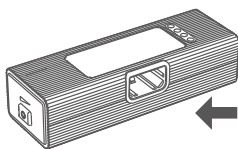
Put the transmitter and receiver into the charging case and press the pairing button, the receiver and transmitter will flash green quickly, and turn to be constant on blue after successfully paired (breathe in blue if not successfully). Or turn on the transmitter and receiver manually, they will automatically start pairing within the receiving range, the indicator light will be constant on blue after successfully paired.seconds and then off, then the devices is in charging mode.

## 2. Installation

Install the transmitter on the collar through the back clip, aiming the built-in microphone towards the sound source direction. Please do not cover the built-in microphone in order to get good sound effects.Choose the suitable adapter and insert into the adapter port, and then connect to the corresponding device to use.



Choose the suitable adapter and insert into the adapter port, and then connect to the corresponding device to use.



- ①  MoveLink Mini 2.4GHz 3.5mm TRS Audio Adapter
- ②  MoveLink Mini 2.4GHz 3.5mm TRRS Audio Adapter
- ③  MoveLink Mini 2.4GHz USB Type-C Adapter
- ④  MoveLink Mini 2.4GHz Lightning Adapter



## Technical Data

Product Name	Transmitter	Receiver
Model	MoveLink Mini TX	MoveLink Mini RX
Transmission Type	2.4G	
Pick-up Mode	Omnidirectional	
Frequency Range	50Hz-16KHz	
SPL	110dB	
Single to Noise Ratio	>65dB	
THD	<5% at 1kHz	
Max.Barrier-free Transmission Distance	100 meters (tested in barrier-free outdoor environment according to FCC standard)	
Working Temperature Range	-10~50°C	
Input Parameters	Built-in li-ion battery 3.7V, 100mAh, 0.37Wh	Built-in li-ion battery 3.7V, 150mAh, 0.555Wh
Dimension	53mm*21mm*17mm	61mm*21mm*15mm
Net Weight	12g	14g

Product Name	Charging Case	
Model	ML-C2	/
Input Parameters	Built-in li-ion battery 3.7V, 1370mAh, 5.069Wh/ Type-C 1A/5V	Built-in li-ion battery 3.7V, 800mAh, 2.96Wh/ Type-C 500mA/5V
Dimension	163mm*65mm*32m	139mm*57mm*28m
Net Weight	180g	115g

Changes made to the specifications or designs may not be reflected in this manual.

## Maintenance

Avoid falling. Strong collision or vibration may malfunction the device.

Keep dry. This product is not water-proof. Malfunction, rust, and corrosion may occur and go beyond repair if soaked in water or exposed to high humidity.

Avoid sudden temperature changes. Condensation happens in sudden temperature changes such as the circumstance when taking the product out of a building with higher temperature to outside in winter. Please put the product in a handbag or plastic bag beforehand.

Keep away from strong magnetic field. The strong static or magnetic field produced by devices such as radio transmitters leads to malfunction.

Specifications and data may subject to changes without notice.

## FCC Statement

This device complies with part 15 of the FCC Rules. Operation is subject to the following two conditions:

- (1) This device may not cause harmful interference, and
- (2) this device must accept any interference received, including interference that may cause undesired operation

Any Changes or modifications not expressly approved by the party responsible for compliance could void the user's authority to operate the equipment

**Note:** This equipment has been tested and found to comply with the limits for a Class B digital device, pursuant to part 15 of the FCC Rules. These limits are designed to provide reasonable protection against harmful interference in a residential installation. This equipment generates uses and can radiate radio frequency energy and, if not installed and used in accordance with the instructions, may cause harmful interference to radio communications. However, there is no guarantee that interference will not occur in a particular installation. If this equipment does cause harmful interference to radio or television reception, which can be determined by turning the equipment off and on, the user is encouraged to try to correct the interference by one or more of the following measures:

- Reorient or relocate the receiving antenna.
- Increase the separation between the equipment and receiver.
- Connect the equipment into an outlet on a circuit different from that to which the receiver is connected.
- Consult the dealer or an experienced radio/TV technician for help

The device has been evaluated to meet general RF exposure requirement.

The device can be used in portable exposure condition without restriction.

## Warning

Operating frequency:2402MHz – 2480MHz  
Maximum EIRP Power: 5dBm

## Declaration of Conformity

GODOX Photo Equipment Co.,Ltd. hereby declares that this equipment are in compliance with the essential requirements and other relevant provisions of Directive 2014/53/EU. In accordance with Article 10(2) and Article 10(10), this product is allowed to be used in all EU member states.For more information of DoC, Please click this web link: [https://www.godox.com/DOC/Godox\\_MoveLink\\_Mini\\_DOC.pdf](https://www.godox.com/DOC/Godox_MoveLink_Mini_DOC.pdf)

The device complies with RF specifications when the device used at 0mm from your body.

## IC Warning

This device complies with Industry Canada's licence-exempt RSSs. Operation is subject to the following two conditions:

- (1) This device may not cause interference; and
- (2) This device must accept any interference, including interference that may cause undesired operation of the device.

Cet appareil est conforme aux CNR exemptes de licence d'Industrie Canada . Son fonctionnement est soumis aux deux conditions suivantes :

- (1) Ce dispositif ne peut causer d'interférences ; et
- (2) Ce dispositif doit accepter toute interférence , y compris les interférences qui peuvent causer un mauvais fonctionnement de l'appareil.

# 产品保修

尊敬的用户，本保修卡是申请保修服务的重要凭证，请您配合销售商填写并妥善保管，谢谢！

产品信息	型号	产品条码
用户信息	姓名	联系电话
	通讯地址	
销售商信息	名称	
	联系电话	
	通讯地址	
	销售日期	
备注		

注：此表应由销售商盖章确认。

## 产品信息

本文件适用于相关《产品保修信息》（见后面说明）所列产品，其他非属此范围的产品或部件（如促销品、赠品及其他出厂后附加的部件等）不在此保修承诺内。

## 保修期

产品及部件的相应保修期按相关的《产品保修信息》执行。保修期自产品首次购买日起算，购买日以购买产品时保修卡登记日期为准。

## 如何获得保修服务

要保修服务，您可直接与产品销售商或授权服务机构联系，也可拨打神牛产品售后服务电话，与我们联系，由我们的服务人员为您安排服务。申请保修时，您应提供有效的保修卡作为保修凭证，方可获得保修。如您不能提供有效的保修卡，则在我们可确认产品或部件属于保修范围的情况下，也可以为您提供保修，但这不作为我们的义务。

## 不适用保修的情况

如产品存在下列情况，本文件项下的保证和服务将不适用 ① 产品或部件超过相应保修期；② 错误或不适当使用、维护或保管导致的故障或损坏，如：不当搬运；非按产品合理预期；用途使用不当插拔外接设备；跌落或外力挤压；接触或暴露于不适当温度、溶剂、酸碱、水浸或潮湿环境；③ 由非神牛授权机构或人员安装、修理、更改、添加或拆卸造成的故障或损坏；④ 产品或部件原有识别信息被修改变更或除去；⑤ 无有效保修卡；⑥ 使用非合法授权、非标准或非公开发行的软件造成的故障或损坏；⑦ 因不可抗力或意外事件造成的故障或损坏；⑧ 其他非因产品本身质量问题导致的故障或损坏。遇上述情况，您应向相关责任方寻求解决，影成对此不承担任何责任。因非在保修期或保修范围内的部件、附件或软件导致产品不能正常使用的，不是保修范围内的故障。产品使用过程中正常的脱色，磨损和消耗，不是保修范围内的故障。

## 产品保修和服务支持信息

产品的保修期和服务类型按以下《产品保修信息》执行：

产品信息	选件名称	保修期（月）	保修服务类型
部件	主机	12	客户送修
	电池	3	客户送修
	充电器等带电性能的部件	12	客户送修
其他	如电池盒、防风棉、防风毛罩、锁紧装置、手提绳、扎带、魔术贴、领夹、便携袋、包装、电源线、同步线等	无	无保修

神牛产品售后服务电话 0755-29609320-8062

## Warranty

Dear customers, as this warranty card is an important certificate to apply for our maintenance service, please fill in the following form in coordination with the seller and safe-keep it. Thank you!

Product Information	Model	Product Code Number
Customer Information	Name	Contact Number
	Address	
Seller Information	Name	
	Contact Number	
	Address	
	Date of Sale	
Note		

Note: This form shall be sealed by the seller.

### Applicable Products

The document applies to the products listed on the Product Maintenance information (see below for further information). Other products or accessories (e.g. promotional items, giveaways and additional accessories attached,etc.) are not included in this warranty scope.

### Warranty Period

The warranty period of products and accessories is implemented according to the relevant Product Maintenance Information. The warranty period is calculated from the day(purchase date) when the product is bought for the first time, and the purchase date is considered as the date registered on the warranty card when buying the product.

### How to Get the Maintenance Service

If maintenance service is needed, you can directly contact the product distributor or authorized service institutions. You can also contact the Godox after-sale service call and we will offer you service. When applying for maintenance service, you should provide valid warranty card. If you cannot provide valid warranty card, we may offer you maintenance service once confirmed that the product or accessory is involved in the maintenance scope, but that shall not be considered as our obligation.

## Inapplicable Cases

The guarantee and service offered by this document are not applicable in the following cases: ① . The product or accessory has expired its warranty period; ② . Breakage or damage caused by inappropriate usage, maintenance or preservation, such as improper packing, improper usage, improper plugging in/out external equipment, falling off or squeezing by external force, contacting or exposing to the improper temperature, solvent, acid, base, flooding and damp environments, etc; ③ . Breakage or damage caused by non authorized institution or staff in the process of installation, maintenance, alternation, addition and detachment; ④ . The original identifying information of product or accessory is modified, alternated, or removed; ⑤ . No valid warranty card; ⑥ . Breakage or damage caused by using illegally authorized, nonstandard or non-public released software; ⑦ . Breakage or damage caused by force majeure or accident; ⑧ . Breakage or damage that could not be attributed to the product itself. Once met these situations above, you should seek solutions from the related responsible parties and Godox assumes no responsibility. The damage caused by parts, accessories and software that beyond the warranty period or scope is not included in our maintenance scope. The normal discoloration, abrasion and consumption are not the breakage within the maintenance scope.

## Maintenance and Service Support Information

The warranty period and service types of products are implemented according to the following Product Maintenance Information:

Product Type	Name	Maintenance Period(month)	Warranty Service Type
Parts	Product Main Body	12	Customer sends the product to designated site
	Battery	3	Customer sends the product to designated site
	Charger,Electrical Parts etc.	12	Customer sends the product to designated site
Other Items	Power Cable,Sync Cable, Battery Case, Windscreen Foam, Wind Cap, Locking Device, Lanyard, Tie, Velcro Tape, Clip, Bag, Package etc.	No	Without warranty



Wechat  
Official Account

神牛微信公众号

### 深圳市神牛摄影器材有限公司

地址: 深圳市宝安区福海街道塘尾社区耀川工业区厂房2栋 电话: 0755-29609320(8062)  
传真: 0755-25723423 邮箱: godox@godox.com

### GODOX Photo Equipment Co., Ltd.

Add.: Building 2, Yaochuan Industrial Zone, Tangwei Community, Fuhai Street, Bao' an District, Shenzhen  
518103, China Tel: +86-755-29609320(8062) Fax: +86-755-25723423 E-mail: godox@godox.com

[www.godox.com](http://www.godox.com)

Made in China | 705-MNLT00-00

