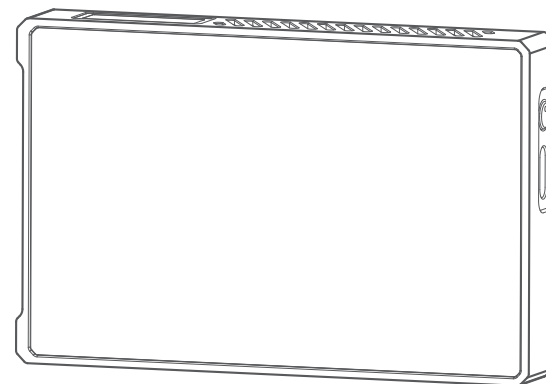




Godox



Wechat
Official Account
神牛微信公众号

深圳市神牛摄影器材有限公司

地址：深圳市宝安区福海街道塘尾社区耀川工业区厂房2栋
电话：0755-29609320(8062) 传真：0755-25723423 邮箱：godox@godox.com

GODOX Photo Equipment Co.,Ltd.

Add.: Building 2, Yaochuan Industrial Zone, Tangwei Community,
Fuhai Street, Bao'an District, Shenzhen 518103, China Tel: +86-755-29609320(8062)
Fax: +86-755-25723423 Email: godox@godox.com

www.godox.com

Made in China | 705-C5R000-00



C5R

RGB 影视创意灯

KNOWLED RGB CREATIVE LIGHT

说明手册

Instruction Manual

重要的安全说明及注意事项

首先作为最基本原则:本产品为专业灯光布景设备,应由专业灯光师使用或在专业人士指导下使用。使用时必须始终遵循基本的安全预防措施,具体安全预防措施如下:

1. 使用前必须阅读并理解产品说明书。
2. 专业灯具,禁止儿童使用。当儿童靠近时,家长或监护人必须密切监督,以免儿童因碰撞灯具或私用灯具造成人身伤害。
3. 本灯具并非普通照明灯具,不可用于普通照明,任何有过眼部损伤或眼部敏感的人群均应避免使用本灯具。
4. 灯具点亮时,必须小心使用,禁止接触高温部件,如LED灯珠,以免造成灼伤。
5. 灯具点亮时,任何情况下均禁止直视灯珠。应该在专业灯光师指导下使用强光,任何情况下避免长时间处于强光环境,如引起眼睛不适,请及时关闭灯具,暂停使用,请及时就医。
6. 倘灯珠损坏或因热变形,应停止使用,并及时联系制造商、服务代理商或合格的维修人员更换灯珠,以免发生意外。
7. 本产品仅适用于-10°C-40°C工作环境温度及正常湿度环境下使用。
8. 请勿使用损坏的设备或设备配件,待专业维修人员检查维修,确认设备正常方可使用。
9. 在使用过程中,如果本产品由于跌落、受到挤压或遭受强烈冲击而造成外壳破裂的,请勿继续使用,以免因接触到内部电子元件而受到电击伤害。
10. 如需要延长线,请使用额定电流 \geq 该设备额定电流的延长线。如延长线额定电流小于该设备,可能导致过热。

11. 部分产品电源线较长,请合理放置电源线,使其处于安全位置。避免电源线接触过热物体表面、避免放置不当导致拉扯损坏或绊倒现场人员。请使用本厂原装电源线,如使用非本厂电源线导致产品损坏,概不在本厂维修范围内。
12. 在清洁和维修之前,请务必从电源插座上拔下该设备插头。不使用时,禁止拉扯电源线以将设备插头从电源插座中拔出。正常断电,应是用手抓住该设备插头两端,将插头从电源插座中拔出。此设备需连接到接地插座中。
13. 本设备没有防水性能,请让设备保持干燥,请勿将本设备浸入水中或其他液体中。设备需安装在干燥且通风处,避免在雨天、潮湿、多尘或过热环境下使用。请勿将任何物体置于灯具上或使液体流入灯具内部,以免发生意外。
14. 请勿私自拆卸产品,如产品出现故障,须由本公司或授权的维修人员进行检查维修。
15. 存放本设备之前,请确保设备已完全冷却。存放时,将电源线从设备上拔出。设备应放置于设备便携包内或通风干燥处。
16. 请勿将设备放置在酒精、汽油等易燃易挥发的溶剂附近。
17. 本厂不推荐的产品附件,请勿使用,以免导致火灾、触电或人身伤害。
18. 清洁本设备时,请勿用湿布擦拭,请用干布,软布擦拭设备污垢。
19. 设备使用前,请注意将保护罩取下。
20. 本产品已通过ROHS, CE, KC和FCC认证,请参考相关国家标准使用和操作。
21. 安全说明依据本厂严格测试制定,设备设计和规格如有变更,恕不另行通知。客户可以上神牛官网查看最新的电子版说明,了解产品最新资讯。
22. 部分产品内置锂电池。此类产品请使用专用的充电器进行充电,并且按正确的操作说明,在规定的电压、温度范围内使用。

23. 部分产品使用电池供电。此类产品请勿使用说明书中未指定的任何电池、电源或附件。请将电池和其他附件置于儿童及婴幼儿无法触及之处。如果儿童或婴幼儿吞下电池或附件，请立即就医。如果电池漏液、变色、变形、冒烟或发出异味，请立即将其取出。在取出过程中请小心，以免烫伤。如果继续使用，可能会引起火灾、触电或皮肤烫伤。请勿使用任何变形或改造过的电池。请勿拆卸或改造本产品或电池。请勿加热电池或焊接电池。请勿让电池与火或水接触。请勿让电池受到强烈的外力撞击。请勿将电池的正负端错误插入，或将新旧电池或不同类型的电池混合使用。
24. 一年保修期，消耗品电池、适配器、电源线等配件不在此保修范围内。
25. 经发现，擅自检修设备，将取消一年保修期，维修需要收取相关费用。
26. 对于不规范操作引起的机器故障不在保修范围内。

保存这些说明

前言

感谢购买神牛产品！

神牛全新推出RNOWLED RGB 影视创意灯C5R。C5R拥有高亮LED灯珠、宽广冷暖色温、无极可调亮度、CCT双色温模式、HSI彩光模式、FX场景光效模式等诸多特性。小巧实用，可装口袋。支持蓝牙APP无线控制，使您能够从您的移动设备远程控制您的灯。支持USB Type-C 充电/无线充电，兼容大部分无线充电器。该灯适用于拍摄补光、户外补光、营造背景光氛围、光绘摄影等场景。

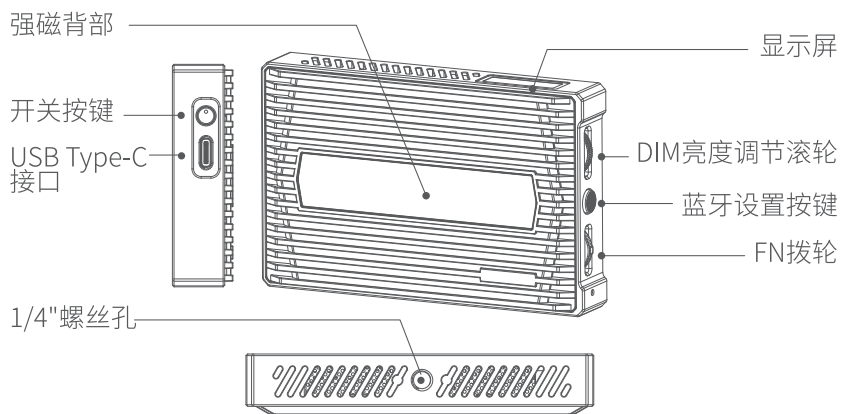
主要特点

- 两种充电方式：USB Type-C充电/无线充电。
- 内置CCT/HSI/FX模式，拥有36000种色彩，CRI达96+。
- 背面拥有磁性吸附功能，可吸附在铁制物品表面使用。
- 冷暖色温，色温精准调节（2500K~8500K）。
- 39种模拟场景光效，玩转创意光效，打造个性化场景。
- 3000mAh内置锂电池，续航持久，100%亮度续航2小时。
- 支持蓝牙APP控制，体验简易操作。
- 169g重量，轻巧便携，户外拍摄，尽在掌中。
- 超高显色指数，CRI≥96，TLCI≥96，还原物体真实色彩。

警告

- ⚠ 请勿让儿童接触本产品，以免发生意外。
- ⚠ 此设备属于精密物品，如产品出现故障须由本司或授权的维修人员进行检查维修，私自拆卸产品导致故障，不在本司维修范围内。
- ⚠ 请勿在化学品、可燃性气体或其他特殊物质附近使用该灯，有可能导致火灾或电磁干扰。在这些场合下，请注意相关警告标识。
- ⚠ 内置锂电池，禁止拆卸、撞击、挤压或投入火中，若出现严重鼓胀，请勿继续使用。
- ⚠ 请勿放置在超过40°C的高温环境中。使用专用的充电器进行充电，并且正确地按照操作说明，在规定的电压、温度范围内使用。

部件



标配物品



灯体
*1



USB Type-C 充电线
*1



硅胶柔光罩
*1



冷靴底座
*1



便携包CB50
*1



说明书
*1

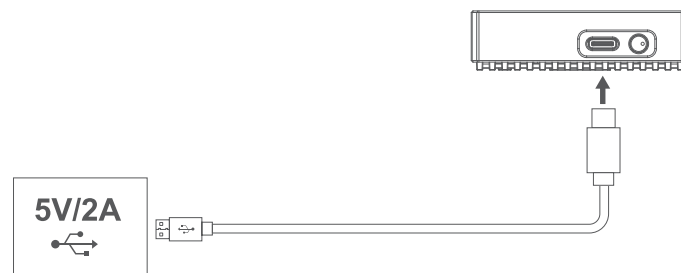
电池

1. 本品内置锂电池，不可拆卸，使用寿命长。
2. 安全可靠，内置电路有过充保护、过放保护、过流保护、短路保护。
3. 使用5V/2A充电器(另购)充电，充满电需要2小时左右。

充电

1.Type-C充电

开机充电时，电池格呈现递进动画闪烁。关机充电时，显示屏中间显示电池格递进动画闪烁。充满后，电池格显示满格。



2.无线充电

产品内置无线充电模块，背部放置于无线充电板上即可无线充电。
小提示：背部印有无线充电区域，正确放置有利于提高充电效率。

操作说明

1.灯体开关

长按1秒开关按键，实现打开或关闭LED灯。

2.亮度调节

旋转DIM亮度调节滚轮，可对亮度进行调节，往“-”下滑动减少亮度，往“+”上滑动增加亮度，滑动一次增加或减少1%亮度值，调节范围为0%-100%。

3.模式选择：双色温模式/彩光模式/FX光效模式

短按蓝牙设置按键，切换模式：

显示屏显示”CCT”，即为双色温模式。



显示屏显示”HSI”，即为彩光模式。



显示屏显示”FX”，即为FX光效模式。



3.1 双色温模式(CCT)

切换至双色温模式，滑动FN拨轮调节色温，往上滑动增加色温值，往下滑动减少色温值，滑动一次，增加或减少100K色温值，调节范围为2500K~8500K。往上按住FN拨轮可快速调节至8500K，往下按住FN拨轮可快速调节至2500K。

注：往上或往下按住FN拨轮可快速调节。

3.2 彩光模式(HSI)

切换至彩光模式，短按FN拨轮可以选择色相(H)或饱和度(S)。选好色相H，滑动FN拨轮调节色相值，上滑一次增加1°色相值，下滑一次减少1°色相值，调节范围为0°-360°。选好饱和度(S)，滑动FN拨轮调节色相值，上滑一次增加1饱和度值，下滑一次减少1饱和度值，调节范围为0-100。

3.3 FX光效模式(FX)

切换至FX光效模式，滑动FN拨轮调节FX光效，往上滑动或往下滑动都可以循环切换光效，往上或者往下按住FN拨轮可以快速循环。

FX光效模式共有39种，可根据需求选择。

FX光效表 (14类共39种)

序号	显示	场景	显示I	显示II	显示III
1		彩光循环	慢速	中速	快速
2		闪光灯	闪光	发布会	狗仔队
3		激光彩灯	生日会	KTV	迪斯科
4		雷闪电	间歇	频繁	持续
5		坏灯泡	间歇	频繁	持续
6		电视机	慢速	中速	快速
7		蜡烛	间歇	频繁	持续
8		火	柴火	篝火	火灾
9		烟花	短暂	连续	演出
10		警车	暴闪	频闪	快闪
11		消防车	暴闪	频闪	快闪
12		救护车	暴闪	频闪	快闪
13		音乐	模式1	模式2	
14	SOS	SOS			

蓝牙模式

长按1秒蓝牙设置按键进入蓝牙模式。滑动FN拨轮选择蓝牙开关(ON/OFF)或蓝牙重置(RESET)。选择蓝牙开关后,短按FN拨轮开启蓝牙或关闭蓝牙。选择蓝牙重置(RESET)后,短按FN拨轮进行蓝牙重置。

扫描此二维码即可下载“GodoxLight”手机APP(安卓和苹果系统都可以使用)。显示屏出现“Reset”,表示蓝牙正在重置。



手机APP操作请打开APP里的“帮助”,里面有详细教程。

注:首个移动设备(手机或平板电脑)可直接使用APP操控灯体。更换其他移动设备时,灯体进行蓝牙重置(Reset)后,方可正常使用APP。

规格参数

型号	C5R
锂电池	3.8V/3000mAh
功率	5W
USB充电输入	5V 2A
无线充电输入	5V 1A
色温范围	2500K~8500K
CRI≈	96
TLCI≈	97
照度数据(色温6500K时)	2200lux/200fc(0.98英尺/0.3米)
	770lux/77fc 1.64英尺/0.5米)
	200lux/18fc 3.28英尺/1米
调光范围	0%-100%
无线充电时间≈	2.5小时
USB充电时间≈	2个小时
灯体持续使用时间(100%亮度)	2个小时
控制方式	蓝牙APP
工作环境	湿度20%-90%, 温度-10°C~40°C
产品尺寸	106*66*18mm
	4.2 *2.6 *0.7 inches
净重≈	169克
	5.96盎司

设计和规格如有变更,恕不另行通知。

维护保养

一年保修,消耗品充电线,冷靴座等配件不在此保修范围内。

经发现,擅自检修此补光灯的,将取消LED灯一年保修期,维修需要收取相关费用。

所有维修概由本厂指定的可供原厂配件的维修部负责。

Safety Instructions and Attentions

First of all, as the most basic principle: This product is a professional lighting set equipment and should be used by professional lighting engineers or under the guidance of professionals. Basic safety attentions must always be followed during use, as follows:

1. Before use, please read and understand these instructions and attentions.
2. Professional lighting is prohibited for children. When children are near, parents or accompanying persons must supervise closely to prevent children from personal injury due to collision with lamps or private use of lamps.
3. This lighting product is not ordinary lighting product and cannot be used for general lighting. Anyone who has suffered eye damage or has sensitive eyes should avoid using this product.
4. When the lamp is on, it must be used with care. Do not touch high-temperature parts, such as LED lamp beads, to avoid burns.
5. When the lamp is on, it is forbidden to look directly at the lamp beads under any circumstances. Strong light should be used under the guidance of professional lighting engineers. Avoid prolonged exposure to strong light under any circumstances. If eye discomfort, please turn off the lamp in time, suspend use, and see a doctor immediately.
6. If the lamp bead is damaged or deformed by heat, stop using this equipment, and contact the manufacturer, service agent or qualified maintenance personnel to replace the lamp bead in time to avoid accidents.
7. This product is only suitable for use in -10°C to 40°C operating environment and normal humidity environment.
8. Do not use damaged equipment or accessories, and wait for professional maintenance personnel to check and repair to confirm being normal before use.
9. During using, if the casing of this product is broken due to being dropped, squeezed or subjected to strong impact, please do not use it, so as to avoid electric shock injury due to contact with internal electronic components.
10. If an extension cord is required, please use an extension cord with a current rating greater than or equal to that of the equipment. If an extension cord is rated less than the equipment, overheating may result.

11. Some products have long power cords, please place the power cords properly and keep them in a safe place. Avoid contacting the power cord with overheating surfaces, avoid improper placement that could cause pulling damage, or trip on-site personnel. Please use the certified power cord from the original manufacturer. If the product is damaged by using a non-certified power cord, it will not be repaired by our factory.
12. Be sure to unplug equipment from the power outlet before cleaning and repairing. When not in use, do not pull the power cord to unplug the equipment. For normal power-off, please hold both ends of the plug of the equipment with your hands and pull the plug out of power outlet. This equipment needs to be connected to a grounded outlet.
13. This equipment is not waterproof, please keep it dry and do not immerse it in water or other liquids. The equipment should be installed in a dry and ventilated place, and avoid using it in rainy, humid, dusty or overheated environments. Do not place any objects on the lamp or let liquid flow into the lamp to avoid accidents.
14. Do not disassemble the product without permission. If the product fails, it must be checked and repaired by authorized maintenance personnel.
15. Before storing, make sure that the equipment has cooled down completely. For storage, unplug the power cord from the equipment. The equipment should be placed in the carrying case or in a ventilated dry place.
16. Do not place equipment near flammable and volatile solvents such as alcohol and gasoline.
17. Do not use accessories that are not recommended by our factory to avoid fire, electric shock or personal injury.
18. When cleaning, do not wipe it with a damp cloth, please use a dry cloth or a soft cloth to wipe the dirt of the equipment.
19. Please take off the protective cover before using.
20. This product complies with ROHS, CE, KC and FCC certification, please refer to the relevant national standards for use and operation.
21. The safety instructions are formulated according to the strict testing of the factory, and the design and specifications of the equipment are subject to change without prior notice. For latest product information, please check the GODOX website and view latest electronic instruction.

22. Some products have built-in lithium batteries. Please use specified chargers, and use them within a proper range of the specified voltage and temperature according to the correct operating instructions.
23. Some products are battery powered. Do not use any batteries, power sources or accessories not specified in the instructions for such products. Keep batteries and other accessories out of the reach of children and infants. In the instance that a child or infant swallows a battery or accessory, immediate emergency medical attention is required. If the battery leaks, becomes discolored, deformed, emits smoke, or emits an abnormal odor, remove it immediately. Be careful during removal to avoid burns. Continued use could result in fire, electric shock, or burns. Do not use any deformed or modified batteries. Do not disassemble or modify this product or battery. Do not heat or solder the battery. Keep the battery away from fire or water. Do not incorrectly insert the positive and negative ends of batteries, or mix old and new batteries or batteries of different types together.
24. One-year warranty period, accessories such as consumable batteries, adapters, power cords, etc. are not covered by this warranty.
25. If it is found that the equipment is repaired without authorization, the one-year warranty period will be cancelled and relevant fees will be charged for maintenance.
26. Machine failures caused by non-standard operation are not covered by the warranty.

keep these instructions!

Foreword

Thank you for purchasing!

Knowled RGB Creative Light C5R is featured with: highlight LED beads, wide CCT range, stepless adjustable brightness, bi-color temperature mode, HSI mode, FX mode, compact and portable, etc. Bluetooth APP wireless control enables remote control of C5R by mobile device. It supports USB Type-C charging and wireless charging (compatible with most wireless chargers), C5R is quite suitable for light filling, outdoor shooting, background light creating, painting shooting, etc.

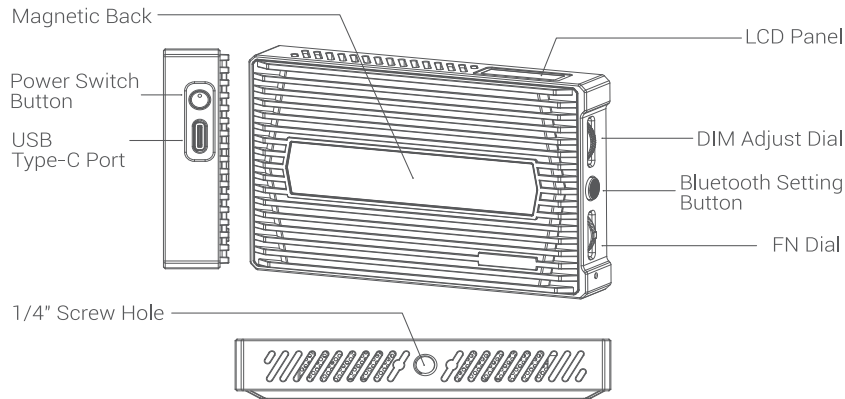
Main Features

- Support USB Type-C charging/wireless charging, and wireless charging for other mobile devices
- Compact and portable, lightweight of only 169g
- Built-in CCT/HSI/FX mode, up to 36000 colors with CRI 96+
- Magnetic design on the back, mountable to metal surface
- Cold and warm color temperature, precisely adjustable from 2500K to 8500K
- 39 simulated light effects to create various scenes
- 3000mAh built-in lithium battery works continuously for 2 hours in 100% brightness
- Bluetooth APP control, simple and convenient operation
- CRI≥96, TLCI≥96, restore the original color

Warning

- ⚠ Keep out of reach of children.
- ⚠ Do not disassemble. Should repairs become necessary, this product must be sent to an authorized maintenance center.
- ⚠ Do not use the flash unit in the presence of flammable gases, chemicals and other similar materials. In certain circumstance, please pay attention to the relevant warnings.
- ⚠ Built-in lithium battery, do not disassemble, impact, squeeze or put it into fire. If serious bulge occurs, please do not use.
- ⚠ Do not leave or store the product if the ambient temperature reads over 40°C.
- ⚠ Please use the proper charger and follow the operation instruction.

Name of Parts

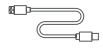


Included Items



Light Body

*1



USB Type-C Charging Cable

*1



Collapsible Diffuser

*1



Coldshoe Base

*1



Carry Bag

CB50 *1



Instruction Manual

*1

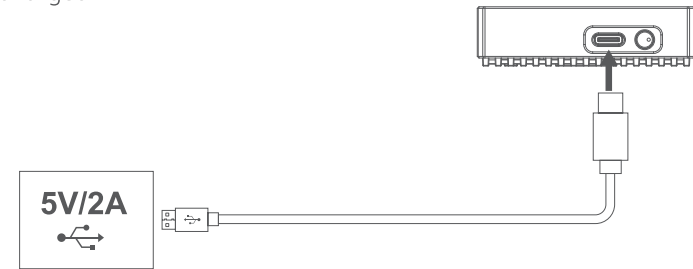
Battery

1. Built-in lithium battery is not detachable and has long run time.
2. It is reliably safe. The inner circuit is against overcharge, over-discharge, over current, and short circuit.
3. It takes only 2 hours to fully charge the battery by using the standard 5V/2A battery charger (optional).

Charging

1.Type-C Charging

When charging in power on status, the battery indicator increases with flash, while charging in power off status, the LCD panel will only display the battery indicator which increases with flash. The battery indicator will be filled after fully charged.



2.Wireless Charging

With a built-in wireless charging module, this product can be wirelessly charged by placing the back on the wireless charging board.

Tip: Please properly place with the wireless charging area on the back in order to improve charging efficiency.

Operation Instruction

1.Power Switch

Long press the power switch button for 1 second to turn on or off the device.

2.Brightness Adjustment

Turn the DIM adjust dial to adjust brightness from 0% to 100%. Turn it towards "-" to decrease the brightness while "+" to increase the brightness, with 1% of increment.

3.Mode Switch: CCT/HSI/FX Mode

Short press Bluetooth setting button to switch among the following modes:

When the LCD panel displays “CCT”, it's bi-color temperature mode.



When the LCD panel displays “HSI”, it's HSI mode.



When the LCD panel displays “FX”, it's FX mode.



3.1 CCT Mode

Switch to bi-color temperature mode, turn the FN dial to adjust the color temperature from 2500K to 8500K. Slide up to increase while slide down to decrease with 100K increment of the color temperature value each slide. Press and push the FN dial upwards can increase CCT to 8500K quickly, while press and push downwards can decrease CCT to 2500K quickly.

3.2 HSI Mode

Switch to HSI mode, short press the FN dial to select Hue (H) or Saturation(S). Select the hue H, turn the FN dial to adjust the hue value from 0° to 360°. Slide up to increase while slide down to decrease with 1° increment of the hue value each slide. Select the saturation (S), turn the FN dial to adjust the saturation value from 0 to 100. Slide up to increase while slide down to decrease with 1 increment of the saturation value each slide.

Note: Press and push the FN dial upwards or downwards can achieve quick adjustment.

3.3 FX Mode

Switch to FX mode, turn the FN dial to adjust light effect, slide up or down to switch at normal speed, press and push upwards or downwards to switch at fast speed.

Users can choose among the following of 39 light effects in FX mode:

FX Light Effects Form (39 kinds within 14 types)

NO.	Display	Scenes	Display I	Display II	Display III
1		RGB Recycle	Slow speed	Medium speed	Quick speed
2		Flash	Flash	Press conference	Paparazzi
3		Laser	Birthday Party	KTV	Disco
4		Lightning	Discontinuous	Frequent	Sustainable
5		Broken Bulb	Discontinuous	Frequent	Sustainable
6		TV	Slow speed	Medium speed	Quick speed
7		Candle	Discontinuous	Frequent	Sustainable
8		Fire	Firewood	Campfire	Fire Hazard
9		Firework	Short	Continuous	Performance
10		Police Car	Storm	Stroboflash	Quick flash
11		Fire Truck	Storm	Stroboflash	Quick flash
12		Ambulance	Storm	Stroboflash	Quick flash
13		Music	Mode 1	Mode 2	
14	SOS	SOS			

Bluetooth mode

Long press the Bluetooth setting button for 1 second to enter Bluetooth mode. Turn the FN dial to choose Bluetooth switch (ON/OFF) or Bluetooth reset (RESET), then short press the FN dial to turn on, turn off or reset the Bluetooth.

Scan the following QR code to download "GodoxLight" mobile APP (both Android and IOS systems are available). When "Reset" displays on the LCD panel, the Bluetooth is being reset.



For specific operations, please refer to the "Help" manual of the mobile APP, which contains detailed instruction.

Note: the APP can be used directly on the firstly installed device (smartphone or tablet). When changing to other mobile devices, the light shall be reset before normal usage of APP.

Technical Data

Model	C5R
Lithium Battery	3.8V/3000mAh
Power	5W
USB Charging Input	5V 2A
Wireless Charging Input	5V 1A
CCT Range	2500K~8500K
CRI≈	96
TLCI≈	97
Illuminance Data in CCT 6500K	2200lux/200fc (0.98 feet/0.3m)
	770lux/77fc (1.64feet/0.5m)
	200lux/18fc (3.28 feet/1m)
Brightness Range	0%-100%
Wireless Charging Time≈	2.5 hours
USB Charging Time≈	2 hours
Battery Life (100% Brightness)	2 hours
Controlling Method	Bluetooth APP
Working Environment	Humidity: 20%-90% , Temperature: -10 C ~40 C
Dimension	106*66*18mm
	4.2 *2.6 *0.7 inches
Net weight ≈	169g
	5.96oz

Product design and specifications are subject to change without notice.

Maintenance

This product, except consumables e.g. cable and coldshoe, is supported with a one-year warranty.

Maintenance of the product must be performed by our authorized maintenance department which can provide original accessories.

Unauthorized service will void the warranty.

Changes made to the specifications or designs may not be reflected in this manual.

Declaration of Conformity:

GODOX Photo Equipment Co,Ltd. hereby declares that the This equipment are in compliance with the essential requirements and other relevant provisions of EU Directive 2014/53/EU. They are allowed to be used in all EU member states.

For information of DoC, Please click this web link:
http://www.godox.com/DOC/Godox_C5R_DOC.pdf.

FCC statement

This device complies with part 15 of the FCC Rules. Operation is subject to the following two conditions: (1) This device may not cause harmful interference, and (2) this device must accept any interference received, including interference that may cause undesired operation.

Any Changes or modifications not expressly approved by the party responsible for compliance could void the user's authority to operate the equipment.

Note: This equipment has been tested and found to comply with the limits for a Class B digital device, pursuant to part 15 of the FCC Rules. These limits are designed to provide reasonable protection against harmful interference in a residential installation. This equipment generates uses and can radiate radio frequency energy and, if not installed and used in accordance with the instructions, may cause harmful interference to radio communications. However, there is no guarantee that interference will not occur in a particular installation. If this equipment does cause harmful interference to radio or television reception, which can be determined by turning the equipment off and on, the user is encouraged to try to correct the interference by one or more of the following measures:

- Reorient or relocate the receiving antenna.
- Increase the separation between the equipment and receiver.
- Connect the equipment into an outlet on a circuit different from that to which the receiver is connected.
- Consult the dealer or an experienced radio/TV technician for help.

The device has been evaluated to meet general RF exposure requirement.
The device can be used in portable exposure condition without restriction.

产品保修

尊敬的用户, 本保修卡是申请保修服务的重要凭证, 请您配合销售商填写并妥善保管, 谢谢!

产品信息	型号	产品条码
用户信息	姓名	联系电话
	通信地址	
销售商信息	名称	
	联系电话	
	通信地址	
	销售日期	
备注		

注: 此表应由销售商盖章确认。

本文件适用于相关《产品保修信息》(见后面说明)所列产品, 其他非属此范围的产品或部件(如促销品、赠品及其他出厂后附加的部件等)不在此保修承诺内。

保修期

产品及部件的相应保修期按相关的《产品保修信息》执行。保修期自产品首次购买日起算, 购买日以购买产品时保修卡登记日期为准。

如何获得保修服务

您可直接与产品销售商或授权服务机构联系, 也可拨打神牛产品售后服务电话, 与我们联系, 由我们的服务人员为您安排服务。申请保修时, 您应提供有效的保修卡作为保修凭证, 方可获得保修。如您不能提供有效的保修卡, 则在我们确认产品或部件属于保修范围的情况下, 也可以为您提供保修, 但这不作为我们的义务。

不适用保修的情况

如产品存在下列情况,本文件项下的保证和服务将不适用 ①产品或部件超过相应保修期;②错误或不当使用、维护或保管导致的故障或损坏,如:不当搬运;非按产品合理预期用途使用;不当插拔外接设备;跌落或外力挤压;接触或暴露于不适当温度、溶剂、酸碱、水浸或潮湿环境;③由非神牛授权机构或人员安装、修理、更改、添加或拆卸造成的故障或损坏;④产品或部件原有识别信息被修改变更或除去;⑤无有效保修卡;⑥使用非合法授权、非标准或非公开发行的软件造成的故障或损坏;⑦因不可抗力或意外事件造成的故障或损坏;⑧其他非因产品本身质量问题导致的故障或损坏。遇上述情况,您应向相关责任方寻求解决,神牛对此不承担任何责任。因非在保修期或保修范围内的部件、附件或软件导致产品不能正常使用的,不是保修范围内的故障。产品使用过程中正常的脱色,磨损和消耗,不是保修范围内的故障。

产品保修和服务支持信息

产品的保修期和服务类型按以下《产品保修信息》执行:

产品类别	选件名称	保修期(月)	保修服务类型
部件	电路板	12	客户送修
	电池	3	客户送修
	充电器、电源线,同步线等带电性能的部件。	12	客户送修
其他	如闪光管、造型灯泡、外壳、保护罩、锁紧装置、包装等。	无	无保修

神牛产品售后服务电话:0755-29609320-8062

Warranty

Dear customers, as this warranty card is an important certificate to apply for our maintenance service, please fill in the following form in coordination with the seller and safe-keep it. Thank you!

Product Information	Model	Product Code Number
Customer Information	Name	Contact Number
	Address	
Seller Information	Name	
	Contact Number	
	Address	
	Date of Sale	
Note:		

Note: This form shall be sealed by the seller.

Applicable Products

The document applies to the products listed on the Product Maintenance Information (see below for further information). Other products or accessories (e.g. promotional items, giveaways and additional accessories attached, etc.) are not included in this warranty scope.

Warranty Period

The warranty period of products and accessories is implemented according to the relevant Product Maintenance Information. The warranty period is calculated from the day(purchase date) when the product is bought for the first time, And the purchase date is considered as the date registered on the warranty card when buying the product.

How to Get the Maintenance Service

If maintenance service is needed, you can directly contact the product distributor or authorized service institutions. You can also contact the Godox after-sale service call and we will offer you service. When applying for maintenance service, you should provide valid warranty card. If you cannot provide valid warranty card, we may offer you maintenance service once confirmed that the product or accessory is involved in the maintenance scope, but that shall not be considered as our obligation.

Inapplicable Cases

The guarantee and service offered by this document are not applicable in the following cases: ①. The product or accessory has expired its warranty period; ②. Breakage or damage caused by inappropriate usage, maintenance or preservation, such as improper packing, improper usage, improper plugging in/out external equipment, falling off or squeezing by external force, contacting or exposing to the improper temperature, solvent, acid, base, flooding and damp environments, etc; ③. Breakage or damage caused by non-authorized institution or staff in the process of installation, maintenance, alternation, addition and detachment; ④. The original identifying information of product or accessory is modified, alternated, or removed; ⑤. No valid warranty card; ⑥. Breakage or damage caused by using illegally authorized, nonstandard or non-public released software; ⑦. Breakage or damage caused by force majeure or accident; ⑧. Breakage or damage that could not be attributed to the product itself. Once met these situations above, you should seek solutions from the related responsible parties and Godox assumes no responsibility. The damage caused by parts, accessories and software that beyond the warranty period or scope is not included in our maintenance scope. The normal discoloration, abrasion and consumption are not the breakage within the maintenance scope.

Maintenance and Service Support Information

The warranty period and service types of products are implemented according to the following

Product Maintenance Information:

Product Type	Name	Maintenance Period(month)	Warranty Service Type
Parts	Circuit Board	12	Customer sends the product to designated site
	Battery	3	
	Electrical parts e.g. battery charger, power cord, sync cable, etc.	12	
Other Items	Flash tube, modeling lamp, lamp body, lamp cover, locking device, package, etc.	NO	Without warranty