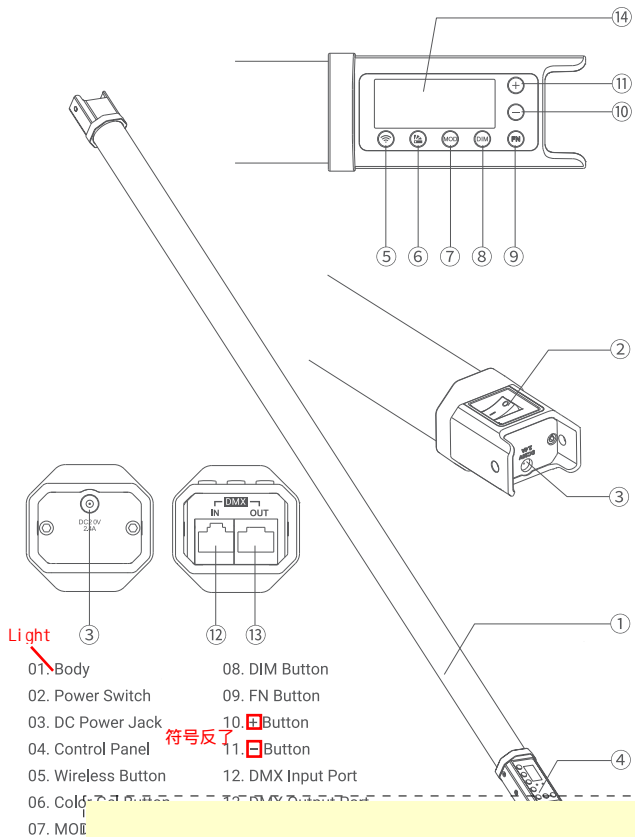
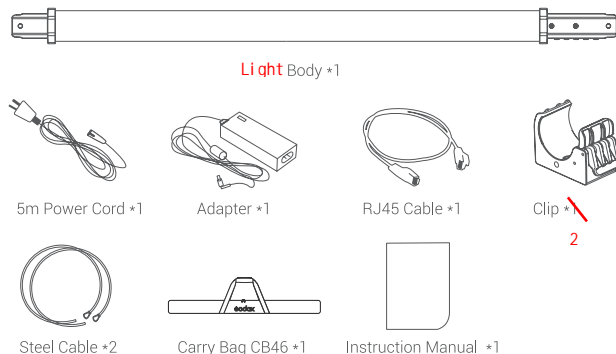


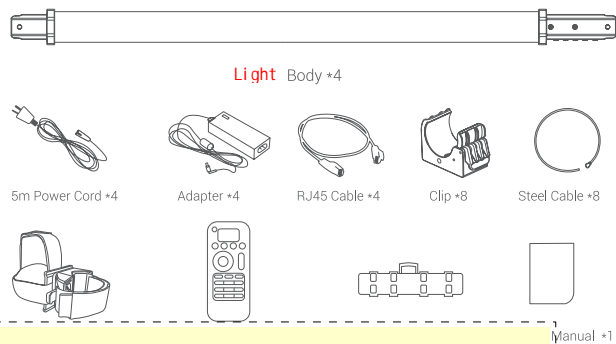
## Names of Parts



## What's in the Box



## Four-light kit:



## Optional Accessories

Adapter TL-A120, DC Power Cable, Grid TL-G120, Two-light Bracket TL-B2, Four-light Bracket TL-B4, Eight-light Bracket TL-B8

## Battery Management

### 1. Power Supply

The built-in lithium battery which can offer about 2.5 hours' lighting in 100% brightness once got fully charged.

The light can also put into usage by connecting the adapter to power source.

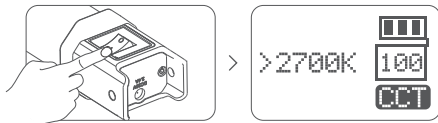
### 2. Charge

The whole charging takes about 2.5 hours. The charge grids indicator will be blinking in charging while displaying full grids once got fully charged.

## Operation

### 1. Power Switch

Use the power switch to control the on or off of the RGB tube light. Then, the current information will be displayed on the LCD panel.



Bi-color

### 2. Mode Selection: CCT Mode/RGB Mode/Special Effects Mode

Press MOD button to switch different modes:



CCT displayed on the screen means CCT mode

HSI displayed on the screen means HSI mode

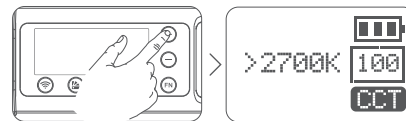
FX means special effects mode

Bi-color

### Bi-color

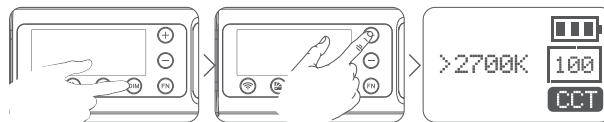
#### 2.1 Bi-color Mode

2.1.1 Color temperature adjustment: press the "+" or "-" button to adjust the color temperature from 2700K to 6500K.



#### Brightness adjustment :

2.1.2 Press the DIM button, then, press the "+" or "-" button to adjust the brightness from 0 to 100.



### RGB

#### 2.2 Colorful Mode

2.2.1 Adjust hue H: press the FN Button and H is selected. Then, press the "+" or "-" button to adjust the hue from 0 to 360°.

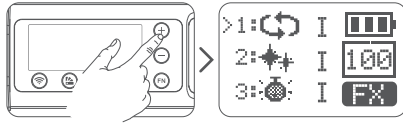


2.2.2 Adjust saturation S: press the FN Button dial and S is selected. Then, press the "+" or "-" button to adjust the saturation from 0 to 100.

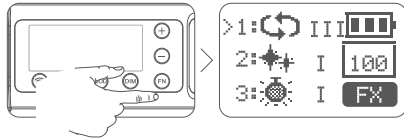


### 3. Special Effects Modes (39)

3.1 Press the "+" or "-" button to choose different special effects categories from 1 to 14. And the modes will display circularly by turning the select dial.



3.2 After choosing the current mode, press down the FN Button from I, II and III. And the modes will display circularly when keeping pressing the FN Button.



3.3 There're 39 kinds of situational special effects mode which are divided into 14 categories for your choice.

No.	Display	Situation	Display I	Display II	Display III
1		RGB cycle	Slow speed	Medium speed	Quick speed
2		Flash	Slow speed	Medium speed	Quick speed
3		Laser	Birthdays	TV	Disco
4		Lightning	Discontinuous	Frequent	Sustainable
5		Broken bulb	Discontinuous	Frequent	Sustainable
6		TV	Slow speed	Medium speed	Quick speed
7		Candle	Discontinuous	Frequent	Sustainable
8		Fire	Firewood	Campfire	Fire hazard
9		Firework	Brief	Continuous	Show
10		Police car	Strong flash	Frequent flash	Quick flash
11		Fire truck	Strong flash	Frequent flash	Quick flash
12		Ambulance	Strong flash	Frequent flash	Quick flash
13		Music	Music I	Music II	
14					

加空格

加空格

另起一段

### 4. Control Modes Selection: Bluetooth/2.4G Wireless Remote Control/DMXControl

Press the wireless button firstly, then, press the "+" or "-" button to choose the control mode. After choosing the mode, press the FN or wireless button to enter the relevant setting interface. Press the wireless button or other button to exit the setting interface.



#### 4.1 Bluetooth Setting

4.1.1 Bluetooth switch: press the FN button to select the Bluetooth. Then, press the "+" or "-" button to switch on or off. If "ON" is displayed, the Bluetooth is on and "OFF" means off. When the Bluetooth is on, the indicator will turn to blue.

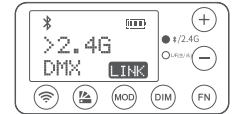


4.1.2 Initialize the Bluetooth password: press the FN button to select RESET. Then, press the "+" or "-" button to reset the Bluetooth.

4.1.3 Bluetooth Number: MAC: xxxx is the Bluetooth number of this light.

#### 4.2 2.4G Wireless Setting

With 2.4G wireless system, TL120 RGB tube light has remote grouping and control function. It is recommended to purchase RC-R9 remote control (optional) to achieve wireless control. Up to 6 groups of LED lights can be controlled, 32 channels and 99IDs are available with strong anti-interference capability.



#### 4.2.1 2.4G Wireless switch: press the FN button to

select the wireless icon. Then, press the "+" or "-" button to switch on or off 2.4G wireless. "ON" means 2.4G wireless is turned on (wireless indicator is lightened green), "OFF" means turned off (wireless indicator is put off).



#### 4.2.2 Channel setting: press the FN button to select CH. Then, press the "+" or "-" button

4.2.3 Group setting: press the FN button to select GR. Then, press the "+" or "-" button to select 6 groups from A to F.

4.2.4 ID setting: press the FN button to select ID. Then, press the "+" or "-" button to select 99 IDs from 1 to 99.

Note: When opening the Bluetooth and 2.4G simultaneously, the indicator will turn to cyan. Please make LED light's channel, group and ID to the same as remote controls. The RGB tube light can only receive wireless signals in powered-on status.

#### 4.3 DMX Control Modes

4.3.1. Set the light to FOLLOW mode and press FN button to choose ADD.

4.3.2. Press the "+" or "-" button to set 512 ADDs from 001 to 512. ~~Now~~ the indicator will display blue. 逗号

4.3.3. After set ADD, connect one end of the DMX cable to DMX output port of control center and the other end to DMX input port of the light.

4.3.4. The statistics sent by the control center are as follows:

Mode Channel (ADD)	CC	HSI	RGBW	FX	Filters
n	0-52	52-103	104-155	156-207	208-255
n+1	0-100 0-100% Brightness Adjustment	0-100 0-100% Brightness Adjustment	0-100 0-100% Brightness Adjustment	0-100 0-100% Brightness Adjustment	0-100 0-100% Brightness Adjustment
n+2	0-255 Color Temperature Selection	0-180 H=180+2 Hue Selection	0-255 Red Light	0-17: RGB Cycle 18-35: Flash 36-53: Disco 54-71: Lightning 72-89: Broken Bulb 90-107: TV 108-125: Candle 126-143: Fire 144-161: Firework 162-179: Police Car 180-197: Fire Truck 198-215: Ambulance 216-233: Music 234-255: SOS	0-127: R-GEL 128-255: L-GEL
n+3	0-100 Saturation Setting	0-100 Saturation Setting	0-255 Green Light	0-85: Light Effect I 86-171: Light Effect II 172-255: Light Effect III	0-255(L-GEL/R-GEL) Colored Paper Switch (Every 13 values refers to one colored paper)
n+4			0-255 Blue Light		
n+5			0-255 White Light		

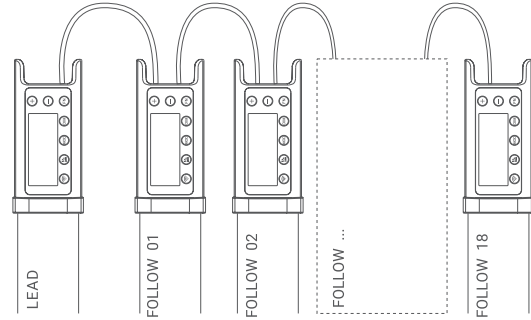
#### 4.4 DMX LEAD and FOLLOW mode

4.4.1. Set one of the LED lights to LEAD mode.

4.4.2. Set other lights to FOLLOW modes.

4.4.3. Connect the lights with RJ45 cable.

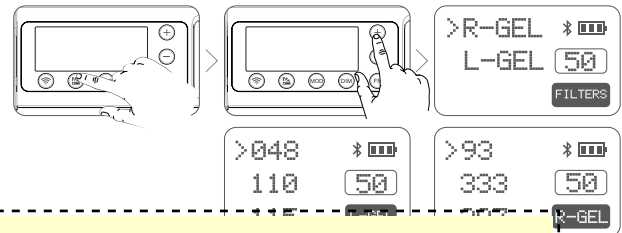
4.4.4. If



Note: When using LEAD and FOLLOW modes through DMX port, the quantity of lights in FOLLOW modes cannot be over 18.

## 5. Color Gel Setting

Press the color gel button to enter the interface. Then, press the "+" or "-" button to choose R-Gel or L-Gel group. Then, press the FN button to enter the color gel group to select the corresponding color gel. There are both 20 color gel in R-Gel and L-Gel groups for your choice, 40 kinds in total.

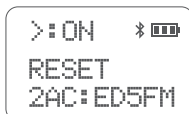


### 6. Connect with Smartphone APP

- 2 ➦ As there is a QR code on the light body of TL120, please scan the QR code directly to download the "GodoxLight" smartphone APP(can be used by Android and Apple system).

For more smartphone APP operations, please open the "help" in APP to gain detailed guidance.

- 2 ➦ Set the Bluetooth of TL120 to ON.



## Illuminance Testing Data

CCT	Illumination Unit	1m	2m	3m
2800K	lux	659	202	101
	fc	61,2	18,8	9,4
3200K	lux	610	187	93,3
	fc	56,7	17,4	8,7
4300K	lux	666	205	102
	fc	61,9	19	9,5
5600K	lux	685	210	104
	fc	63,7	19,5	9,7
6500K	lux	769	234	117
	fc	71,3	21,7	10,9

## Technical Data

LED Light	TL120
Built-in Lithium Battery	14.4V/5200mAh/74.88Wh
Adapter	Output <del>20V/4.8</del> 20V/4.8A
Power	30W
Channel	32
Group	6(A B C D E F)
Color Temperature Range	2700K~6500K
Light Brightness Range	0%~100%
RGB Color Gamut	0 ~ 360°
CRI (≈)	96
TLCI (≈)	98
Duration(continuous output in 100% full power in 2700K)	150 <del>Approx. 100</del> minutes
Control Method	Smartphone APP/2.4G wireless/DMX control
Bluetooth Wireless Control Distance	≈30m
2.4G Wireless Control Distance	≈50m(with optional RC-R9 remote control)
Operation Temperature	-10~40 °C
Dimension	48*1170mm
Net Weight	1.27kg
BT Frequency Range	2402.0-2480.0MHz
Max. Transmitting Power	5dbm

\* Product design and specifications are subject to change without notice.

## Maintenance

This product, except consumables e.g. adapter and adapter cable, is supported with a one-year warranty.

Avoid sudden impacts and the product should be dedusted regularly.

Maintenance of the flash must be performed by our authorized maintenance department which can provide original accessories.

Unauthorized service will void the warranty.

If the product had failures or was wetted, do not use it until it is repaired by professionals.

Changes made to the specifications or designs may not be reflected in this manual.

## FCC Statement

This device complies with part 15 of the FCC Rules. Operation is subject to the following two conditions: (1) This device may not cause harmful interference, and (2) this device must accept any interference received, including interference that may cause undesired operation.

Any Changes or modifications not expressly approved by the party responsible for compliance could void the user's authority to operate the equipment.

**Note:** This equipment has been tested and found to comply with the limits for a Class B digital device, pursuant to part 15 of the FCC Rules. These limits are designed to provide reasonable protection against harmful interference in a residential installation. This equipment generates uses and can radiate radio frequency energy and, if not installed and used in accordance with the instructions, may cause harmful interference to radio communications. However, there is no guarantee that interference will not occur in a particular installation. If this equipment does cause harmful interference to radio or television reception, which can be determined by turning the equipment off and on, the user is encouraged to try to correct the interference by one or more of the following measures:

- Reorient or relocate the receiving antenna.
- Increase the separation between the equipment and receiver.
- Connect the equipment into an outlet on a circuit different from that to which the receiver is connected.
- Consult the dealer or an experienced radio/TV technician for help.

The device has been evaluated to meet general RF exposure requirement.  
The device can be used in portable exposure condition without restriction.

Declaration of Conformity:  
GODOX Photo Equipment Co., Ltd. hereby declares that the This equipment are in compliance with the essential requirements and other relevant provisions of EU Directive 2014/53/EU. They are allowed to be used in all EU member states.  
For more information of DoC, Please click this web link: [http://www.godox.com/DOC/Godox\\_TL120\\_DOC.pdf](http://www.godox.com/DOC/Godox_TL120_DOC.pdf).

## 产品保修

尊敬的用户, 本保修卡是申请保修服务的重要凭证, 请您配合销售商填写并妥善保管, 谢谢!

产品信息	型号	产品条码
用户信息	姓名	联系电话
	通信地址	
销售商信息	名称	
	联系电话	
	通信地址	
	销售日期	
备注		

注: 此表应由销售商盖章确认。

### 适用产品

本文件适用于相关《产品保修信息》(见后面说明)所列产品, 其他非属此范围的产品或部件(如促销品、赠品及其他出厂后附加的部件等)不在此保修承诺内。

### 保修期

产品及部件的相应保修期按相关的《产品保修信息》执行。保修期自产品首次购买日起算, 购买日以购买产品时保修卡登记日期为准。

### 如何获得保修服务

您可直接与产品销售商或授权服务机构联系,也可拨打神牛产品售后服务电话,与我们联系,由我们的服务人员为您安排服务。申请保修时,您应提供有效的保修卡作为保修凭证,方可获得保修。如您不能提供有效的保修卡,则在我们确认产品或部件属于保修范围的情况下,也可以为您提供保修,但这不作为我们的义务。

### 不适用保修的情况

如产品存在下列情况,本文件项下的保证和服务将不适用 ①产品或部件超过相应保修期;②错误或不适当使用、维护或保管导致的故障或损坏,如:不当搬运;非按产品合理预期用途使用;不当插拔外接设备;跌落或外力挤压;接触或暴露于不当温度、溶剂、酸碱、水浸或潮湿环境;③由非神牛授权机构或人员安装、修理、更改、添加或拆卸造成的故障或损坏;④产品或部件原有识别信息被修改变更或除去;⑤无有效保修卡;⑥使用非合法授权、非标准或非公开发行的软件造成的故障或损坏;⑦因不可抗力或意外事件造成的故障或损坏;⑧其他非因产品本身质量问题导致的故障或损坏。遇上述情况,您应向相关责任方寻求解决,神牛对此不承担任何责任。因非在保修期或保修范围内的部件、附件或软件导致产品不能正常使用的,不是保修范围内的故障。产品使用过程中正常的脱色,磨损和消耗,不是保修范围内的故障。

## 产品保修和服务支持信息

产品的保修期和服务类型按以下《产品保修信息》执行:

产品类别	选件名称	保修期 (月)	保修服务类型
部件	电路板	12	客户送修
	电池	3	客户送修
	充电器、电源线,同步线等带电性能的部件。	12	客户送修
其他	如闪光灯管、造型灯泡、外壳、保护罩、锁紧装置、包装等。	无	无保修

## Warranty

Dear customers, as this warranty card is an important certificate to apply for our maintenance service, please fill in the following form in coordination with the seller and safe-keep it. Thank you!

Product Information	Model	Product Code Number
Customer Information	Name	Contact Number
	Address	
Seller Information	Name	
	Contact Number	
	Address	
	Date of Sale	
Note:		

Note: This form shall be sealed by the seller.

### Applicable Products

The document applies to the products listed on the Product Maintenance Information (see below for further information). Other products or accessories (e.g. promotional items, giveaways and additional accessories attached, etc.) are not included in this warranty scope.

### Warranty Period

The warranty period of products and accessories is implemented according to the relevant Product Maintenance Information. The warranty period is calculated from the day (purchase date) when the product is bought for the first time. And the purchase date of the product.

#### How to Get the Maintenance Service

If maintenance service is needed, you can directly contact the product distributor or authorized service institutions. You can also contact the Godox after-sale service call and we will offer you service. When applying for maintenance service, you should provide valid warranty card. If you cannot provide valid warranty card, we may offer you maintenance service once confirmed that the product or accessory is involved in the maintenance scope, but that shall not be considered as our obligation.

#### Inapplicable Cases

The guarantee and service offered by this document are not applicable in the following cases: ①. The product or accessory has expired its warranty period; ②. Breakage or damage caused by inappropriate usage, maintenance or preservation, such as improper packing, improper usage, improper plugging in/out external equipment, falling off or squeezing by external force, contacting or exposing to the improper temperature, solvent, acid, base, flooding and damp environments, etc; ③. Breakage or damage caused by non-authorized institution or staff in the process of installation, maintenance, alternation, addition and detachment; ④. The original identifying information of product or accessory is modified, alternated, or removed; ⑤. No valid warranty card; ⑥. Breakage or damage caused by using illegally authorized, nonstandard or non-public released software; ⑦. Breakage or damage caused by force majeure or accident; ⑧. Breakage or damage that could not be attributed to the product itself. Once met these situations above, you should seek solutions from the related responsible parties and Godox assumes no responsibility. The damage caused by parts, accessories and software that beyond the warranty period or scope is not included in our maintenance scope. The normal discoloration, abrasion and consumption are not the breakage within the maintenance scope.