

705-ML60BY-00

合格证
QC PASS

深圳市神牛摄影器材有限公司

地址: 深圳市宝安区福海街道塘尾社区耀川工业区厂房2栋
电话: 0755-29609320(8062) 传真: 0755-25723423 邮箱: godox@godox.com

GODOX Photo Equipment Co., Ltd.

Add: Building 2, Yaochuan Industrial Zone, Tangwei Community,
Fuhai Street, Bao'an District, Shenzhen, China Tel: +86-755-29609320(8062)
Fax: +86-755-25723423 E-mail: godox@godox.com

godox.com

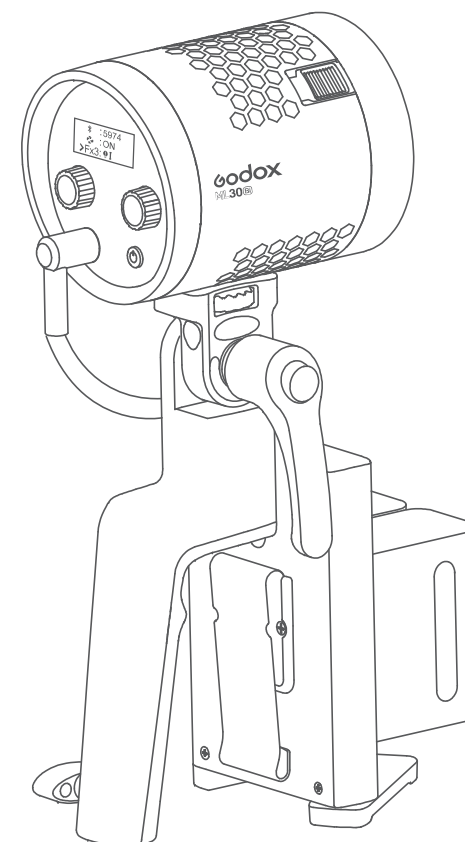
Made in China



Godox

双色温LED摄影灯
Bi-color LED Video Light

ML30Bi



说明手册
Instruction Manual

Foreword

Thank you for purchasing!

This Bi-color LED Video Light ML60Bi is a high-brightness LED light, which is wirelessly adjustable, color-temperature adjustable, and can be handheld or fixed on the light stand.

Suitable for almost all shooting scenes as live-streaming, still life shooting, video shooting, wedding photography, children photography, etc. It's portable and easily operated.

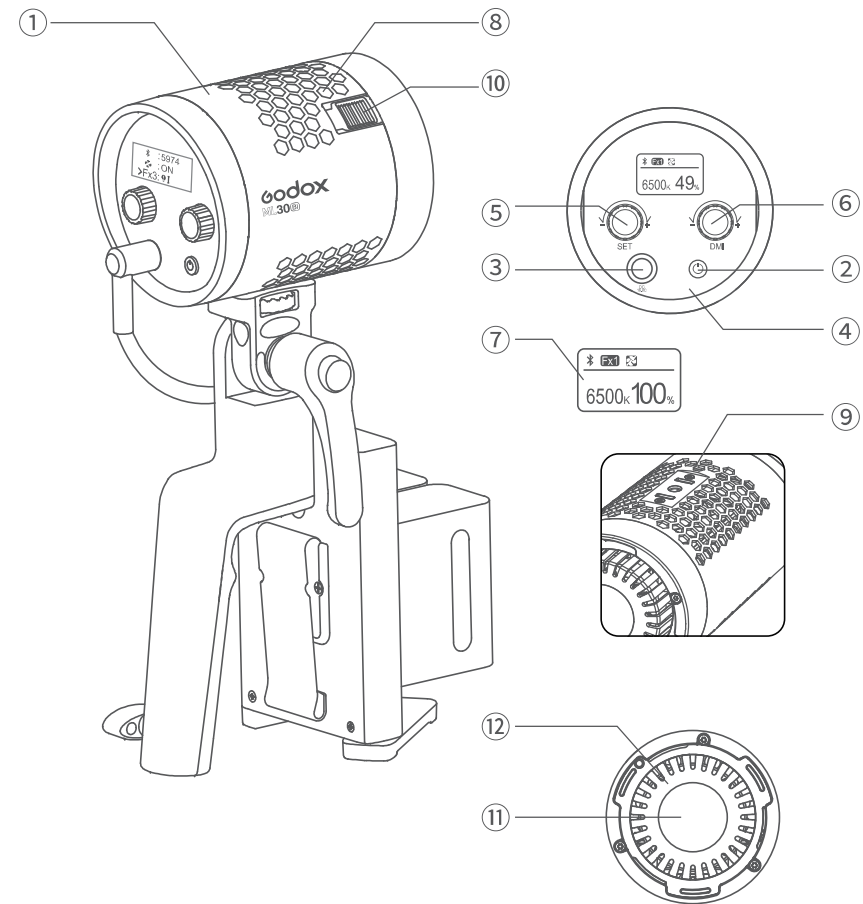
Features:

- Switch freely between Bi-color mode and FX Special Effects mode.
- Adjust color temperature freely.
- 21 light effects for selection.
- Adjust the brightness precisely from 0%-100%.
- 16 groups and 32 channels of wireless remote control.
- Freely switch between silent mode and non-silent mode without interference. Compact, lightweight and handy.
- Multi-light jointly controlled by mobile APP or 2.4G wireless control.
- Being safe and convenient with high-temperature alarm function and low power prompt function.

Warning

Always keep this product dry. Do not use in rain or in damp conditions.
 Do not disassemble. Should repairs become necessary, this product must be sent to an authorized maintenance center.
 Keep out of reach of children.
 As this product do not have waterproof function, please take measures of waterproof in rainy or damp environment.
 Do not use this product in the presence of flammable gases, chemicals and other similar materials. In certain circumstance, these materials may be sensitive to the strong light emitting from this product and fire or electromagnetic interference may result.
 Always use dedicated chargers for charging, and use them within the specified voltage and temperature range following the operating instructions.

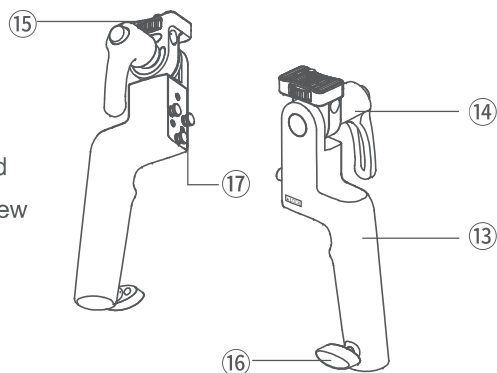
Parts



- | | |
|-------------------------|---------------------------|
| 01. Body | 07. Display |
| 02. Power Switch | 08. Ventilation Hole |
| 03. DC Power Socket | 09. Screw Hole for Handle |
| 04. Control Panel | 10. Accessory Slide Lock |
| 05. CCT/SET Select Dial | 11. LED Light Beads |
| 06. DIM Select Dial | 12. Radiator |

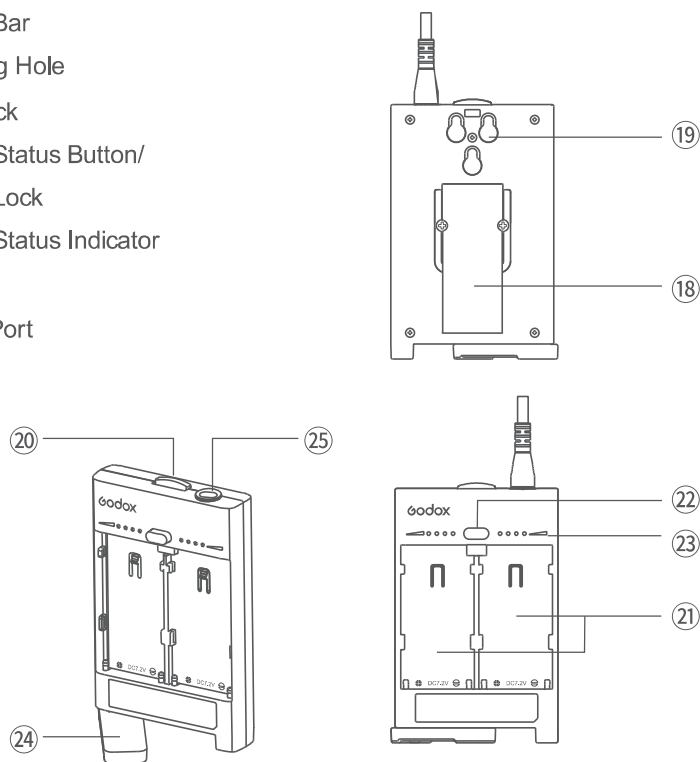
Handle

- 13. Handle Bar
- 14. Direction Adjustment Knob
- 15. Fixing Screw for Light Body
- 16. Fixing Screw for Light Stand
- 17. Battery Case Mounting Screw

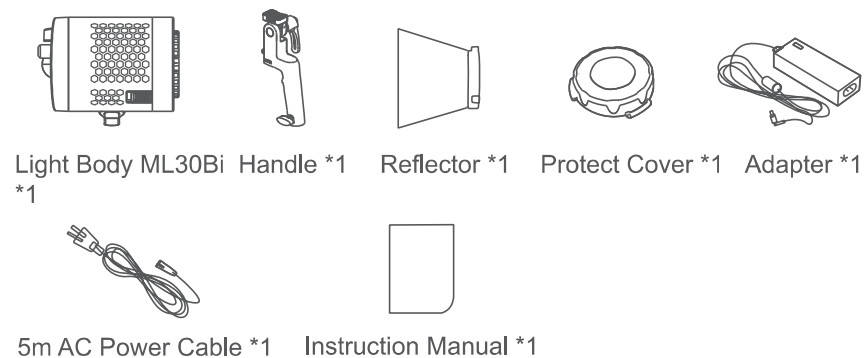


Battery Case

- 18. Clip
- 19. Handle Bar
- 20. Mounting Hole
- 21. Slide Lock
- 22. Battery Status Button/
Battery Lock
- 23. Battery Status Indicator
- 24. Leg
- 25. Output Port



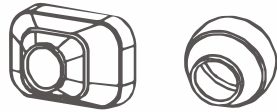
What's in the Box



ML30Bi套装(另购)



Optional Accessory



工字夹固定杆 (ES45配件固定杆)

四角柔光箱

柔光球

Power Management

Power supply

Adapter power supply: input: 100-240V~50/60Hz 2A, output: 16.8V 4.2A.

External battery power supply: install two NP-F970 batteries into the battery compartment. Then, use DC power cable to connect the battery case with the light body to achieve power supply.

The battery case can only offer battery discharging instead of charging. When powered by battery box, two batteries shall be used simultaneously. Please do not use one battery individually.

Operation

1. Power on

Press the power switch to control the ON/OFF of the light, and the OLED display will show the current information

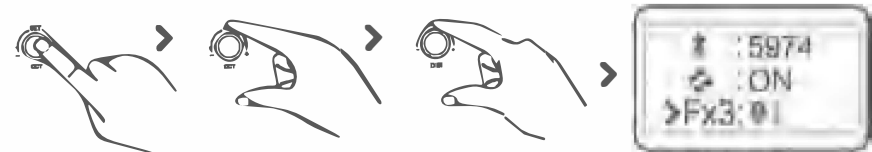


6500K 49%

2. Mode selection: Bi-color mode/FX Special Effects mode

Color temperature mode: the main interface displays the color temperature mode
 2.1.1 Color temperature adjustment: Rotate the CCT/SET knob on the main interface to adjust the color temperature (2800~6500K). Normally rotate 100 unit values, and quickly rotate 500 unit values.

2.1.2 Brightness adjustment: Select the DIM dial to adjust brightness from 0% to 100%



FCC Statement

This device complies with part 15 of the FCC Rules. Operation is subject to the following two conditions: (1) This device may not cause harmful interference, and (2) this device must accept any interference received, including interference that may cause undesired operation.

Any Changes or modifications not expressly approved by the party responsible for compliance could void the user's authority to operate the equipment.

Note: This equipment has been tested and found to comply with the limits for a Class B digital device, pursuant to part 15 of the FCC Rules. These limits are designed to provide reasonable protection against harmful interference in a residential installation. This equipment generates uses and can radiate radio frequency energy and, if not installed and used in accordance with the instructions, may cause harmful interference to radio communications. However, there is no guarantee that interference will not occur in a particular installation. If this equipment does cause harmful interference to radio or television reception, which can be determined by turning the equipment off and on, the user is encouraged to try to correct the interference by one or more of the following measures:

- Reorient or relocate the receiving antenna.
- Increase the separation between the equipment and receiver.
- Connect the equipment into an outlet on a circuit different from that to which the receiver is connected.
- Consult the dealer or an experienced radio/TV technician for help.
- The device has been evaluated to meet general RF exposure requirement.

To maintain compliance with FCC's RF Exposure guidelines, This equipment should be installed and operated with minimum distance of 20 cm the radiator your body. This device and its antenna(s) must not be co-located or operation in conjunction with any other antenna or transmitter.

Warranty

Dear customers, as this warranty card is an important certificate to apply for our maintenance service, please fill in the following form in coordination with the seller and safe-keep it. Thank you!

Product Information	Model	Product Code Number
Customer Information	Name	Contact Number
	Address	
Seller Information	Name	
	Contact Number	
	Address	
	Date of Sale	
Note:		

Note: This form shall be sealed by the seller.

Applicable Products

The document applies to the products listed on the Product Maintenance Information (see below for further information). Other products or accessories (e.g. promotional items, giveaways and additional accessories attached, etc.) are not included in this warranty scope.

Warranty Period

The warranty period of products and accessories is implemented according to the relevant Product Maintenance Information. The warranty period is calculated from the day (purchase date) when the product is bought for the first time, And the purchase date is considered as the date registered on the warranty card when buying the product.

How to Get the Maintenance Service

If maintenance service is needed, you can directly contact the product distributor or authorized service institutions. You can also contact the Godox after-sale service call and we will offer you service. When applying for maintenance service, you should provide valid warranty card. If you cannot provide valid warranty card, we may offer you maintenance service once confirmed that the product or accessory is involved in the maintenance scope, but that shall not be considered as our obligation.

Inapplicable Cases

The guarantee and service offered by this document are not applicable in the following cases: ①. The product or accessory has expired its warranty period; ②. Breakage or damage caused by inappropriate usage, maintenance or preservation, such as improper packing, improper usage, improper plugging in/out external equipment, falling off or squeezing by external force, contacting or exposing to the improper temperature, solvent, acid, base, flooding and damp environments, etc; ③. Breakage or damage caused by non-authorized institution or staff in the process of installation, maintenance, alternation, addition and detachment; ④. The original identifying information of product or accessory is modified, alternated, or removed; ⑤. No valid warranty card; ⑥. Breakage or damage caused by using illegally authorized, nonstandard or non-public released software; ⑦. Breakage or damage caused by force majeure or accident; ⑧. Breakage or damage that could not be attributed to the product itself. Once met these situations above, you should seek solutions from the related responsible parties and Godox assumes no responsibility. The damage caused by parts, accessories and software that beyond the warranty period or scope is not included in our maintenance scope. The normal discoloration, abrasion and consumption are not the breakage within the maintenance scope.