

GODOX设计文件图注

项目类型	<input type="checkbox"/> 彩盒 <input type="checkbox"/> 彩卡 <input type="checkbox"/> 白盒 <input type="checkbox"/> 贴纸 <input checked="" type="checkbox"/> 说明书 <input type="checkbox"/> 内托 <input type="checkbox"/> 胶盒 <input type="checkbox"/> 吸塑 <input type="checkbox"/> 其他:		
项目名称	静音版LED摄影灯UL150		
产品料号	705-UL1500-02	版本	A
展开尺寸(mm)		成品尺寸(mm)	142.5x210mm
尺寸公差	±2mm		
材质	80g书纸		
工艺说明	骑马钉		
备注/色值			
设计师	陈正丰	校对	杨入人

Godox

SILENT LED VIDEO LIGHT
静音LED摄影灯

UL150



深圳市神牛摄影器材有限公司

地址: 深圳市宝安区福海街道塘尾社区福川工业区厂房2栋
电话/Tel: +86-755-29609320(8062) 传真/Fax: +86-755-25723423 邮箱/E-mail: godox@godox.com

GODOX Photo Equipment Co., Ltd.

Add: Building 2, Yaochuan Industrial Zone, Tangwei Community, Fuhai Street, Bao'an District,
Shenzhen, China Tel: +86-755-29609320(8062) Fax: +86-755-25723423 E-mail: godox@godox.com

godox.com

Made in China



说明手册
Instruction Manual

前言

感谢您购买神牛产品！

静音LED摄影灯UL系列无风扇，零噪音，非常适用于直播拍摄、视频录制、采访布光等多种场合。适配器、控制盒与灯体分离，操作方便。光源稳定，显色性好，功能强大。配备专用遥控器，可无线分组调光，无线调节亮度。

主要特点：

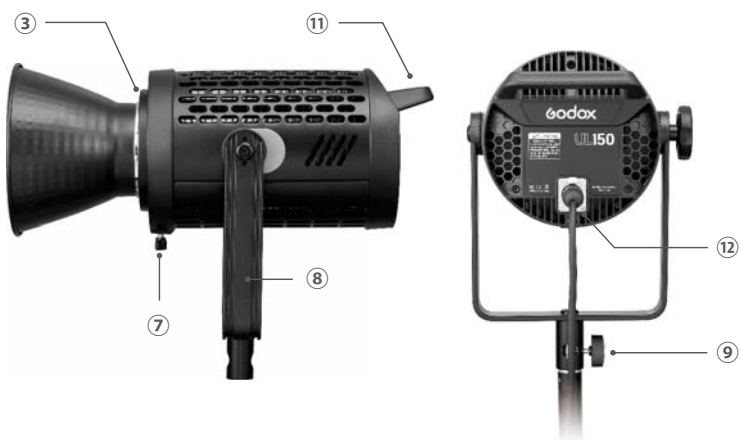
- 无风扇，零噪音，无干扰
- 功率强劲，光源稳定，亮度高且可自由调节
- V口锂电池供电或DC电源供电，室内室外两用
- 适配器、控制盒、灯体分离，操控更便捷，散热性更佳
- 433MHz无线6组16频道分组控制&手机APP蓝牙无线控制
- U型支架设计，可吊装，调节各种角度更方便
- 保荣卡口，兼容各类光效附件

警告

- ▲ 请保持干燥：请勿用湿手接触产品，亦不可将产品浸入水中或暴露于雨中。
- ▲ 请勿私自拆卸产品，如产品出现故障须由本公司或授权的维修人员进行检查维修。
- ▲ 请勿让儿童接触本产品。
- ▲ 本产品不能防水，在雨天及潮湿环境下请注意防水。
- ▲ 请勿放置在超过40摄氏度的高温环境中。
- ▲ 请勿在化学品、可燃性气体或其他特殊物质附近使用LED灯。
在这些场合下，请注意相关警告标识。

部件名称

灯体



- 1.灯体 2.散热孔 3.保荣卡口 4.灯头保护罩 5.LED灯 6.伞孔
7.伞固定旋钮 8.U型支架 9.支架旋钮 10.支架套筒 11.把手
12.电源输入接口 13.卡口固定旋钮

部件名称

控制器部件



标配物品

- 1、灯体 2、LED保荣反光罩 3、电源线 4、适配器 5、保护罩
6、电源连接线 7、背夹扣带 8、控制器 9、说明书



可选购附件

RC-A5II遥控器



接通电源

- 1、先将电源连接线两头分别插入控制器输出控制接口和灯体输入控制接口，听到响声表示已经插好。



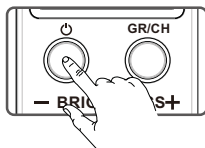
- 2、将适配器的连接线输出口端插入控制器电源输入端。
- 3、使用电源线，连接电源。



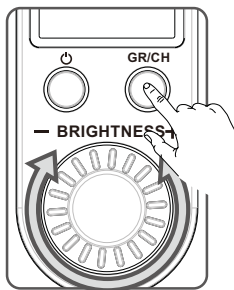
注：如果使用V口电池，直接插上V口电池，打开电源开关即可使用。

操作说明

- 1、开关：长按控制盒开关按键，LED灯亮，再次长按LED灯灭。



- 2、无线组别/频道选择：按一下GR/CH按钮，频道值被选中，旋转亮度调节旋钮可调整频道；再次按GR/CH按钮，组别值被选中，旋转亮度调节旋钮可调整组别（旋转时组别值循环出现）；再次按GR/CH按钮退出组别频道选择。



- 3、亮度调节：旋转亮度调节旋钮亮度改变，亮度调节范围0%-100%。



⚠ 温度过高警告

当控制盒显示屏出现HP闪烁时，表明灯头温度过高，建议关机待灯头冷却后再使用，以免灯珠烧坏。

无线控制：433MHz无线和手机APP蓝牙无线控制

- 1、UL系列LED灯具备**无线遥控功能**，使用433MHz无线技术，无视角限制，距离远，可同时分别控制6组LED灯。16组通道频率，抗干扰强。使用前请把LED控制盒和遥控器RC-A5II(需另购)的频道与组别调至一致。



控制器频道/组别调整

- 在常态时，按GR/CH按钮，此时频道闪烁，旋转亮度调节可选择频道(1~16)；
- 在常态时，按GR/CH按钮2次，此时组别闪烁，旋转亮度调节可选择组别(A~F)。

遥控器频道/组别调整

- 在常态时，按CH/GR按钮，此时组别闪烁，按“-”“+”按钮可选择组别(A~F)；
- 在常态时，按CH/GR按钮2次，此时频道闪烁，按“-”“+”按钮可选择频道(1~16)。

遥控器亮度参数调节

- 在常态时，按“-”“+”按钮可对亮度调整。

注：控制器在开机状态下才可以接收无线信号。

- 2、神牛UL系列LED灯还具备**手机APP蓝牙无线控制功能**，可同时分别控制6组LED灯。16组通道频率，抗干扰强。



- **连接蓝牙**：在控制盒开机状态下，长按GR/CH按钮，控制器会显示蓝牙ID号。在手机上打开APP“GodoxPhoto”，点击蓝牙选择控制盒对应的蓝牙号，输入密码(原始密码“000000”)，蓝牙连接成功。

注：LED控制盒和APP显示的频道与组别需调至一致。



- **LED控制**：具体操作请看手机APP“GodoxPhoto”：设置---帮助---LED。

产品参数

静音LED摄影灯		UL150
供电	DC电源供电	AC100V-240V(50/60HZ)/2A(DC16.8V 10A)
	锂电池供电	V口电池(另购)
功率		150W
色温		5600 ± 200K
100%光照度 (LUX,1米距离)(≈)		58000
CRI≈		96
TLCI≈		97
调光范围		0%-100%
工作环境温度		-10°C ~ 40°C
频道		16个
组别		6组(A、B、C、D、E、F)
产品尺寸		316.9*217.8*170mm
净量	灯:	3.09Kg
	控制盒:	0.86Kg
	适配器:	0.72Kg

注：配件不同，流明值也会有差异。

*设计和规格如有变更，恕不另行通知。

Foreword

Thank you for purchasing this Godox Product!

Silent LED Video Light UL series are suitable for live recording, video shooting and photojournalistic shooting for they have no fan and won't make noise. UL series are very convenient due to the separation design of main body, adapter and controller. UL series create stable light resource and even illumination for photography. With an included remote control and easy operation, UL series LED lights can be adjusted its light brightness in separate groups.

Main Features:

- With strong power, stable light source and adjustable light brightness
- Powered by V-port Lithium battery or DC power supply with wide application
- Adapter and controller are separate from the main light body, which offers more convenient operation and better heat dissipation
- Achieving wireless control by 433MHz grouping system (6 groups & 16 channels) and smartphone APP through Bluetooth
- With U-type bracket to adjust different angles easily
- Bowens-mount enables to install various of accessories



IMPORTANT SAFETY INSTRUCTIONS

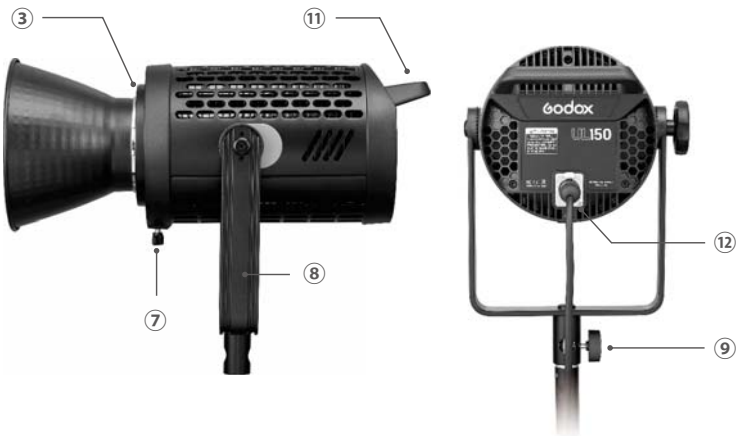
When using your photographic equipment, basic safety precautions should always be followed, including the following:

1. Read and understand all instructions before using.
2. Close supervision is necessary when any appliance is used by or near children. Do not leave appliance unattended while in use.
3. Care must be taken as burns can occur from touching hot parts.
4. The appliance switch is provided with the symbols 0 indicating off and 1 indicating on. The symbols and may be used for this purpose.
5. Do not operate appliance with a damaged cord or if the appliance has been dropped or damaged – until it has been examined by a qualified serviceman.
6. Position the cord so that it will not be tripped over, pulled, or contact hot surfaces.
7. If an extension cord is necessary, a cord with a current rating at least equal to that of the appliance should be used. Cords rated for less amperage than the appliance may overheat.
8. Always unplug appliance from electrical outlet before cleaning and servicing and when not in use. Never yank cord to pull plug from outlet. Grasp plug and pull to disconnect.
9. Let appliance cool completely before putting away. Loop cord loosely around appliance when storing.
10. To reduce the risk of electric shock, do not immerse this appliance in water or other liquids.
11. To reduce the risk of electric shock, do not disassemble this appliance, but take it to a qualified serviceman when service or repair work is required. Incorrect reassembly can cause electric shock when the appliance is used subsequently.
12. The use of an accessory attachment not recommended by the manufacturer may cause a risk of fire, electric shock, or injury to persons.
13. Connect this appliance to a grounded outlet.
14. Disconnect this unit from its source of supply before replacing the projection lamp.

SAVE THESE INSTRUCTIONS

Body

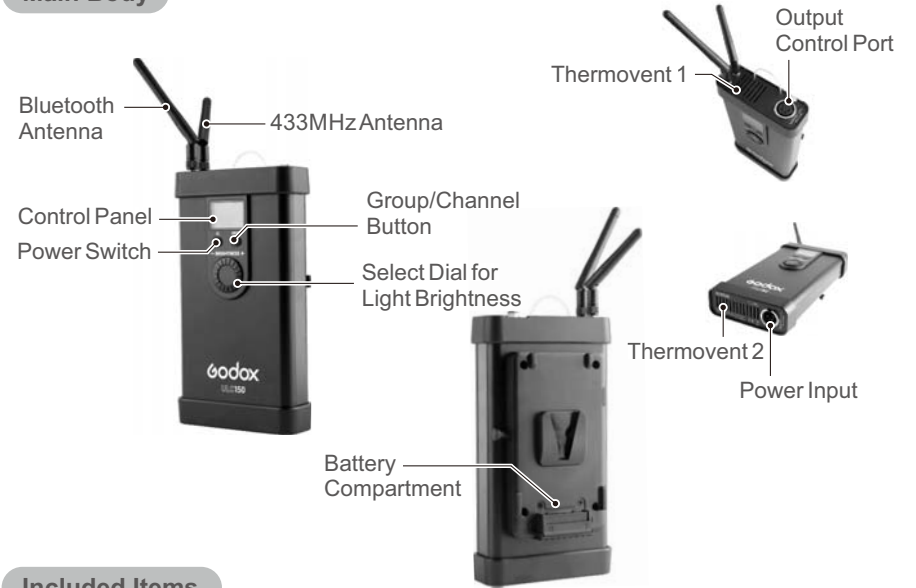
Main Body



- 1. Light Body 2. Thermovent 3. Bowens Mount 4. Protect Cover
- 5. LED Light 6. Umbrella Input 7. Locking Ring 8. U-type Bracket
- 9. Bracket Locking Ring 10. Bracket Sleeve 11. Handle
- 12. Power Input Socket 13. Accessory Locking Button

LCD Panel

Main Body

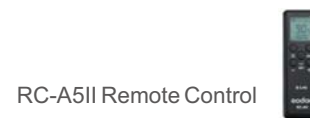


Included Items

- 1. LED video light 2. Reflector for Bowens mount LED light 3. Power cord
- 4. Adapter 5. Lamp cover 6. Connect cord 7. Fastener 8. Controller
- 9. Instruction manual



Optional Accessory



RC-A5II Remote Control

Power Supply

1. Firstly, plug the two ends of connect cord separately into the controller's output control port and the light's power input socket. A "click" will be heard once finished.



2. Plug the output end of adapter's connect cord into controller's power input end.

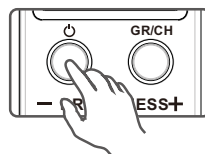


3. Use the power cord to connect the power supply.

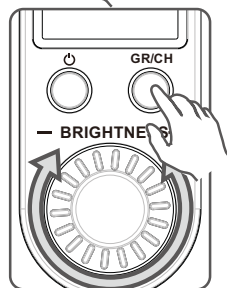
Note: If using V-port battery, please insert the battery into the LED light and power it on for usage.

Operation

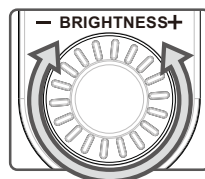
1. Power on/off: long press the Power Switch of controller to power the LED light on or off.



2. Choose group/channel: press GR/CH button for once, and turn the Select Dial for Light Brightness to change the channel value. Then, press GR/CH button again, and turn the Select Dial for Light Brightness to change the group value (the group figure will be displayed recurrently). Press GR/CH button to exit.



3. Light brightness adjustment: turn the select dial for light brightness to change the value from 0% to 100%.



⚠ Overheat Warning

Over heat occurs when the HP appeared on the controller's display and blinked on the display. It is recommended to turn off the light and cool it down before reuse to avoid destroying the light beads.

Wireless Control (433MHz wireless & smartphone APP through Bluetooth)

1. With 433 MHz wireless system, UL series have remote grouping and control function. Up to 6 groups of LED lights can be controlled. 16 channels are available with strong anti-interference capability. Please set the channels and groups of LED light to the same as those of RC-A511 (optional purchase) remote control before usage.



Adjusting Channel/Group of the Controller

- Press the GR/CH button and the channel icon blinks. Turn the select dial for light brightness to choose a channel ID (1 to 16).
- Press the GR/CH button twice and the group icon blinks. Turn the select dial for light brightness or color temperature to choose a group ID (A to F).

Adjusting Channel/Group of the Remote Control

- Press the CH/GRP button and the group icon blinks. Press the "-" or "+" button to choose a group ID (A to F).
- Press the CH/GRP button twice and the channel icon blinks. Press the "-" or "+" button to choose a channel ID (1 to 16).

Adjusting Light Brightness with the Remote Control

- Press the "-" or "+" button to adjust the light brightness.

Note: The wireless signal can be received only when the controller is power on.

2. Godox UL series LED lights can also be controlled by smartphone APP through Bluetooth with 6 groups and 16 channel.



- **Bluetooth connection:** power the LED light on and long press the GR/CH button until a Bluetooth ID is displayed on the controller. Then, open the "GodoxPhoto" APP, click the Bluetooth and choose the corresponding Bluetooth ID of the controller. Finally, enter the password (the initial password is "000000"), and the Bluetooth is successfully connected.
- Note:** The channels and groups of LED controller and APP should be adjusted to the same.

- **LED control:** please find more details in the "GodoxPhoto" APP of smartphone: Setting---Help---LED.



Technical Data

Silent LED Video Light		UL150
Power Supply	DC Power supply	AC100V-240V(50/60HZ)/2A(DC16.8V 10A)
	Lithium battery	V-port battery(separately sold)
Power		150W
Color Temperature		5600±200K
100% Light Brightness (LUX, 1m)(≈)		58000
CRI (≈)		96
TLCl (≈)		97
Light Brightness Range		0%-100%
Operation Temperature		-10°C~40°C
Channel		16
Group		6 groups (A, B, C, D, E, F)
Dimension		316.9*217.8*170mm
Net Weight		Light: 3.09Kg Controller: 0.86Kg Adapter: 0.72Kg

Note: The illumination value will be different when changing different accessories.

FCC Warning

This device complies with part 15 of the FCC Rules. Operation is subject to the following two conditions: (1) This device may not cause harmful interference, and (2) this device must accept any interference received, including interference that may cause undesired operation.

Any Changes or modifications not expressly approved by the party responsible for compliance could void the user's authority to operate the equipment.

Note: This equipment has been tested and found to comply with the limits for a Class B digital device, pursuant to part 15 of the FCC Rules. These limits are designed to provide reasonable protection against harmful interference in a residential installation. This equipment generates uses and can radiate radio frequency energy and, if not installed and used in accordance with the instructions, may cause harmful interference to radio communications. However, there is no guarantee that interference will not occur in a particular installation. If this equipment does cause harmful interference to radio or television reception, which can be determined by turning the equipment off and on, the user is encouraged to try to correct the interference by one or more of the following measures:

- Reorient or relocate the receiving antenna.
- Increase the separation between the equipment and receiver.
- Connect the equipment into an outlet on a circuit different from that to which the receiver is connected.
- Consult the dealer or an experienced radio/TV technician for help.

***RF warning:**

This equipment complies with FCC radiation exposure limits set forth for an uncontrolled environment. This equipment should be installed and operated with minimum distance 20cm between the radiator & your body.