

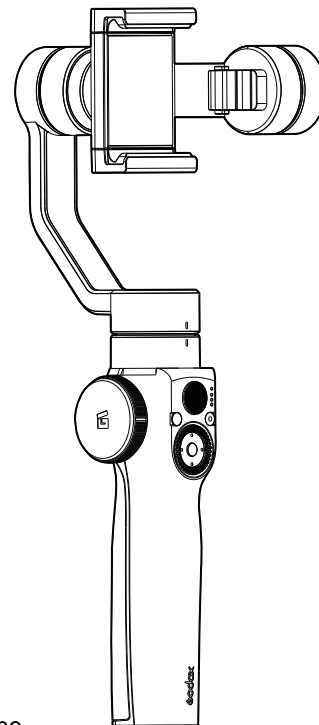


关注神牛微信公众号  
Follow Wechat Public Account

godox

# ZP1

Smartphone Gimbal | 手机稳定器



深圳市神牛摄影器材有限公司

FCC: GODOX PHOTO EQUIPMENT CO.LTD

IC: GODOX Photo Equipment Co.,Ltd

FCC: 1st to 4th Floor, Building 2/1st to 4th Floor, Building 4, Yaochuan Industrial Zone,  
Tangwei Community, Fuhai Street, Baoan District, Shenzhen 518103, China

IC: 19th Floor, Room 1902, Building Jinshan, 5033 Shennan East Road, Luohu District, Shenzhen 518001, China

电话 /Tel: +86-755-25737526

邮箱 /E-mail: godox@godox.com

Made In China 705-ZP1000-00

传真 /Fax: +86-755-25723423

<http://www.godox.com>



Instruction Manual | 说明手册

Chinese English Bilingual | 中英文双语

## 前言

感谢您购买神牛产品！

在使用本产品之前请先仔细阅读本手册,以确保您能安全使用。  
请保存好本手册以备将来查询参考。

神牛 ZP1 手机稳定器是一款专为手机摄影设计的多功能稳定器,可简单切换多种模式,轻松拍出稳定、流畅、真实的画面。

### 主要特点:

- 无需点击手机屏幕,快速设置手机参数
- 可实现同时变焦和跟焦,随心切换拍摄主体
- 横拍或竖拍,驾驭多种拍摄场景
- 多种拍摄模式,随时随地实现创意拍摄
- 双向充电,续航无忧

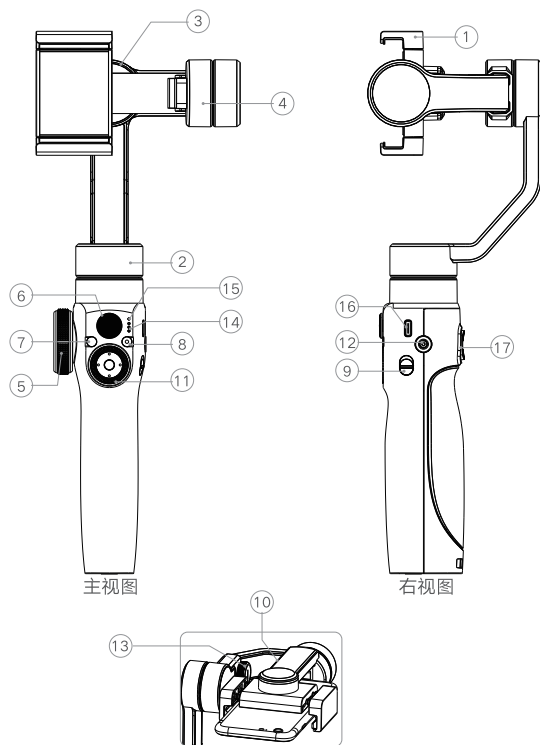
## 目录

前言	01
警告	02
部件名称	03
标配物品	04
电池及充电	04
使用步骤说明	04
安装手机	05
手机充电	06
使用稳定器	06
APP 下载及使用	08
固件升级	10
规格参数	11
故障排除指南	12
维护保养	12

## 警告

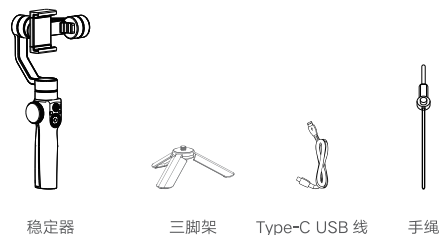
- △ 请勿让儿童接触本产品。
- △ 本产品不能防水,在雨天及潮湿环境下请注意防水。
- △ 请保持干燥:请勿用湿手接触产品,亦不可将产品浸入水中或暴露于雨中。
- △ 请勿私自拆卸产品,如产品出现故障须由本公司或授权的维修人员进行检查维修。
- △ 内置锂电池,禁止拆卸、撞击、挤压或投入火中,若出现严重鼓胀,请勿继续使用。应放置于凉爽、干燥及通风的地方存储;不要靠近和放置于火中;请勿放置在超过 45°C 的高温环境中。正确的按照操作说明,在规定的温度范围内使用。

## 部件名称



- |                    |  |
|--------------------|--|
| 1、手机夹              | 10、Type-C USB 手机充电口                        |
| 2、航向轴              | 11、5 个按键 + 面板旋钮                            |
| 3、横滚轴              | 12、1/4" 螺口                                 |
| 4、俯仰轴              | 13、横臂调节旋钮                                  |
| 5、大轮旋钮             | 14、电量指示灯                                   |
| 6、控制摇杆             | 15、状态指示灯(白：正常工作；红或闪红：保护或出错；灭：关机正在充电；绿：充满电) |
| 7、 拍照按钮            | 16、Type-C USB 充电口                          |
| 8、 拍视频按钮<br>(电源开关) | (固件升级接口)                                   |
| 9、模式开关             | 17、船式开关                                    |

## 标配物品



稳定器

三脚架

Type-C USB 线

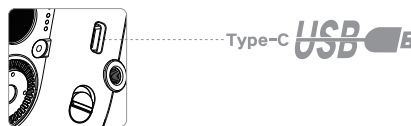
手绳

## 电池及充电

手机稳定器内置锂电池，首次使用前，请先给手机稳定器充满电后再使用。

电量指示灯指示当前稳定器剩余电量。

电池电量显示	意义
三灯亮	约剩余 70~100%
两灯亮	约剩余 40~69%
一灯亮	约剩余 10~39%
跳闪	小于10%

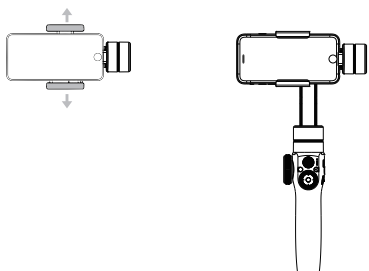


## 使用步骤说明

- 第一步：下载并安装 Godox Action APP。
- 第二步：安装手机到 ZP1 设备。
- 第三步：连接蓝牙。
- 第四步：使用（注：使用 ZP1 所有功能都需要在 Godox Action APP 且蓝牙连接成功时才能实现）。

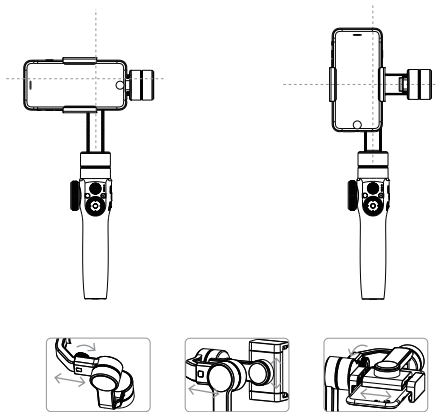
## 安装手机

1、拉开手机夹装入手机。



2、调节平衡。

将手机正面和操控面板面朝同一方向，拧松横臂调节旋钮，向左或向右轻拉横臂，使手机能保持左右水平不动，说明平衡适当。调节平衡后拧紧横臂调节旋钮。



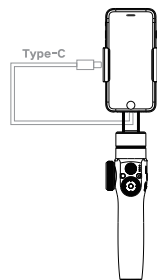
注：

- 1、在未装入手机前，或未调平衡时请勿开机。
- 2、有个别太大的手机，无法调到平衡，需要另购配重码。
- 3、手机的平衡状态对稳定器的工作性能及续航时间影响很大。手机不平衡不是太严重时稳定器仍可工作，但会更多消耗电量，增加电机发热量，且稳定器性能会有所下降。如不平衡达到一定程度，稳定器将进入保护状态并停止工作，确保稳定器不会过热损坏。

## 手机充电

使用一端为 Type-C USB 接口，另一端为手机对应充电接口的充电线(需另购)连接稳定器与手机，即可以让稳定器为手机供电。

注意：严禁对俯仰轴 Type-C USB 接口进行充电，否则电路板将有可能发生短路烧毁。



## 使用稳定器

长按2秒电源开关按键即可开/关机。

### 1、模式开关

有两种常用模式，将模式开关拨到上(L)时，为锁定模式。拨到下(F)时，为航向轴跟随模式。

### 2、船式开关

船式开关分上键和下键，功能如下：

按住上键：

在锁定模式时(L)，快速跟随航向和俯仰两轴。

在跟随模式时(F)，快速跟随航向轴。

按住下键：

在锁定模式时(L)，跟随航向和俯仰两轴。

在跟随模式时(F)，全锁定模式。

下键双击：

航向轴和俯仰轴回中。

注：

使用船形开关在锁定模式和跟随模式下有效，正在进行人脸跟踪或物体跟踪时无效。

### 3、○ 拍照按钮

按此拍照按钮可实现手机拍照功能。

### 4、● 视频按钮（电源开关）

(1)拍视频：短按此按钮实现手机录视频功能。

(2)开关机：长按此按钮 2 秒以上可实现开关机功能。

### 5、控制摇杆

控制摇杆用于控制航向轴和俯仰轴的转动控制，在锁定模式和跟随模式下有效，正在进行人脸跟踪或物体跟踪时无效。

### 6、大轮旋钮

用于变焦或跟焦。变焦和跟焦分别使用大轮旋钮和面板旋钮来操作，这两个旋钮功能可以对换，详细参考 5 个按键 + 面板旋钮的功能介绍。

### 7、5个按键+面板旋钮

共有 5 个按键(即左键、右键、上键、下键和中间菜单键)和一个面板旋钮,用于操作 Godox Action APP。

APP 界面分为两种模式：

- 一、菜单模式，
- 二、快捷模式。

按中间的菜单键可切换这两种模式，两侧图标有显黄色或环形菜单弹出时为菜单模式,反之为快捷模式。

#### 菜单模式

≡ 中间菜单键：单击菜单键,切换菜单模式和快捷模式。

⊕ 左键：返回上一级。

⊗ 右键：进入下一级或确定。

↶ 上键：变换选择。

↷ 下键：变换选择。

面板旋钮：变换选择。

#### 快捷模式

≡ 中间菜单键：单击菜单键切换菜单模式和快捷模式。

⊕ 左键：变焦大轮旋钮和跟焦面板旋钮对调。

⊗ 右键：进入和退出 AE 调节。进入 AE 调节后，可使用面板旋钮进行 AE 调节,超时会自动退出 AE 调节。

↶ 上键：切换手机前后摄像头。

↷ 下键：进入和退出相册。

旋钮：用于变焦或跟焦,在 AE 调节时用于 AE 调节。

## APP下载及使用

1、直接扫描二维码下载“Godox Action”APP( Android 5.0 以上,IOS9.0 以上)。

2、在手机的应用商店中搜索“Godox Action”下载。



Godox Action APP for IOS



Godox Action APP for Android

#### 注：

1、请以最新的 APP 为准,如有更新,恕不另行通知。

2、安卓系统无法用微信扫码下载,需打开浏览器扫码或到相应的应用商店搜 "Godox Action"APP 下载。

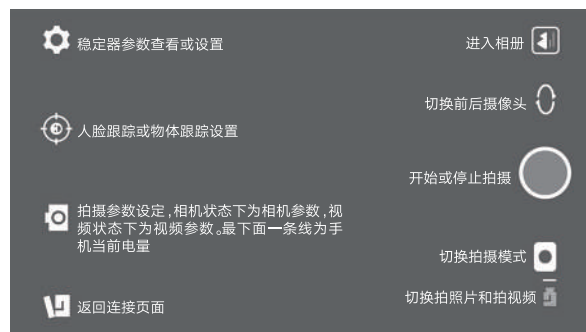
## 使用APP



1、首次使用 APP 时,需要确认 APP 的使用权限,否则 APP 无法工作。



2、打开稳定器电源,打开手机蓝牙后,点击连接设备。



## 5、拍摄界面操作

## 固件升级

本机通过 Type-C USB 口可进行固件升级。软件最新公告及说明将会发布在官方网站上。

## 升级步骤

- 1、打开 GODOX 官网 [www.godox.com](http://www.godox.com), 点击主页“相关下载”,找到与您稳定器型号对应的最新固件和升级工具并下载。
- 2、使用 Type-C USB 线连接电脑与稳定器,打开稳定器电源。
- 3、按照固件升级教程中的操作进行固件升级。



3、打开“Godox Camera”APP,点击“连接设备”,选择你所要连接的稳定器。



4、连接好后点击相机进入拍摄界面。第一次连接过后,再次进入时,如果稳定器已经开机,APP 将自动连接。

## 规格参数

	最小	标准	最大	备注
工作电压		7.2V		
工作电流		160mA	2000mA	
充电输入电压	4.7V	5V	5.5V	
充电输入电流	500mA	-	2000mA	
电源输出电压	-	5V	-	
电源输出电流	-	-	1000mA	
内置电池容量	-	2600mAh*2	-	
俯仰轴机械动作范围	-	240°	-	
横滚轴机械动作范围	-	240°	-	
航向轴机械动作范围	-	550°	-	
工作温度	0°C	25°C	40°C	
工作时间	-	15h	-	* 视调平衡情况
充电时间	-	3.5h	-	* 视充电器及充电线的情况
充电环境温度	-5°C	-	40°C	
负载重量	80g	-	230g	*6.5 寸屏以上的手机需要配重附件配合
横臂调节行程	-	10mm	-	
夹具行程	64mm	-	85mm	
尺寸	33x12x5.5cm			
净重	590g			

## 故障排除指南

- 1、无法开机：确定电池是否有电或尝试充电后再开机。
- 2、稳定器抖动，无法正常工作：关机后查看是否已经调到平衡状态、手机是否已经夹紧横臂、横臂调节旋钮是否拧紧，检查后把稳定器放正再开机。
- 3、蓝牙无法连接：查看连接对象是否准确、是否连接到别的设备（特别是多台神牛稳定器在一起工作的场合），查看稳定器是否已经跟别的手机连接。
- 4、无法充电或充电慢：更换充电器及 Type-C USB 线尝试，建议使用神牛标配的 Type-C USB 线充电。
- 5、无法调到平衡：通常是手机过小或过大，如果手机过小，可以把手机向左拉出一点。如果手机过大，如 6.5 寸以上的手机，需要购买配重的附件。

## 维护保养

- 1、电池持续充电时间不要超过 24 小时。
- 2、长期不使用，请充电至 60% 左右再放置。
- 3、为了延长电池寿命，建议每 3 个月进行一次充电保养。

## Forward

Before using this product

Please read this instruction manual in order to ensure your safety and the proper operations of this product. Keep for future reference.

Thank you for purchasing Godox product.

ZP1 Smartphone Gimbal is specially designed for smartphone shooting. With easy operation and abundant shooting modes, it can make footage stably and smoothly.

### Main Features:

- Quickly setting smartphone parameters without clicking smartphone screen
- Achieve zooming and focus movement functions simultaneously
- Suitable for various of occasions with horizontal or vertical shooting
- Multiple shooting modes enables to achieve creative shooting freely
- Built-in lithium battery with long battery life which can also offer power for smartphone

## Content

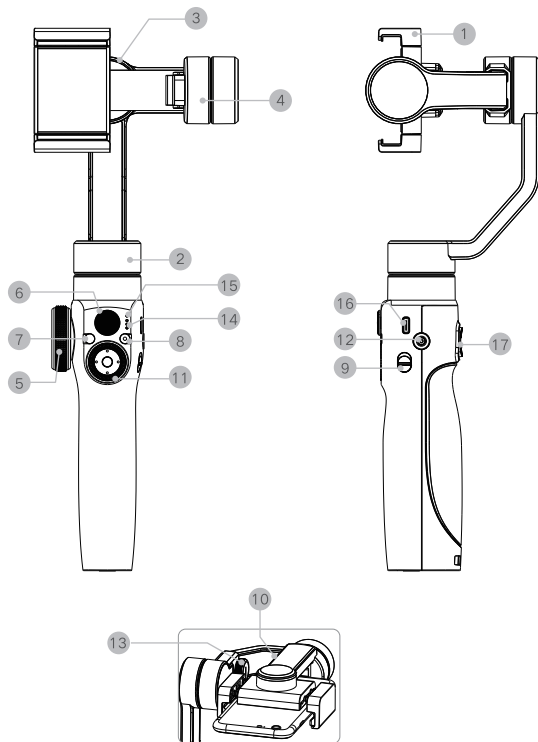
Forward.....	13
Warning .....	14
Name of Parts .....	15
Included Item .....	16
Battery and Charging .....	16
How to use .....	16
Smartphone Installation .....	17
Charge Your Smartphone .....	18
Operation .....	19
APP Download and Usage .....	22
Firmware Upgrade .....	24
Technical Data .....	25
Troubleshooting .....	26
Maintenance .....	26

## Warning

- ⚠ Always keep this product dry. Do not use in rain or in damp conditions.
- ⚠ Do not disassemble. Should repairs become necessary, this product must be sent to an authorized maintenance center.
- ⚠ Keep out of reach of children.
- ⚠ Stop using this product if it breaks open due to extrusion, falling or strong hit. This product should be placed in cool, dry and ventilated area. Do not get close to fire or put the product into fire. Do not leave or store the flash unit if the ambient temperature reads over 45°C. Please read the instruction manual carefully before operation and use the product in safety temperature range.

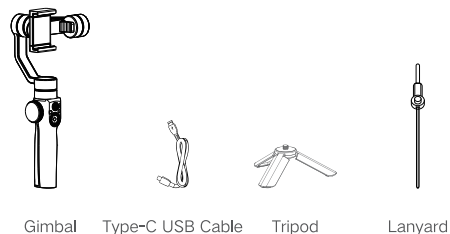


## Name of Part



- |  |  |
|--|--|
| 1. Smartphone Holder                         | 11. 5 Buttons + Front Select Dial  |
| 2. Yaw Axis                                  | 12. 1/4" Mounting Hole   |
| 3. Cross Axis                                | 13. Cross Arm Select Dial  |
| 4. Pitch Axis                                | 14. Battery Level Indicator  |
| 5. Big Wheel Knob                            | 15. State Indicator (White: normal operation; red or blinking red: protection or error; off: shut down or in charging; green: fully charged) |
| 6. Control Rocker                            | 16. Type-C USB Charging Port (firmware upgrade port)   |
| 7.  Picture Shooting Button                  | 17. Rocker Switch  |
| 8.  Video Shooting Button (power switch)     |  |
| 9. Mode Switch                               |  |
| 10. Type-C USB Port Smartphone Charging Port |  |

## Included Items



Gimbal Type-C USB Cable Tripod Lanyard

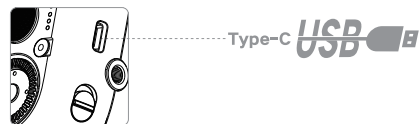
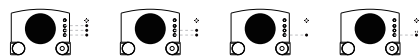
## Battery and Charging

As the Gimbal uses lithium battery, please charge it to full power before first usage.

Charging method: Insert one end of the Type-C USB cable to the Type-C USB port of Gimbal, and the other end to the smartphone power adapter and connect it to the power source. Then, the battery indicator is lit up.

The battery level indicator will show remain battery level of the Gimbal.

Battery Level Indication	Meaning
3 grids	About 70~100% battery level.
2 grids	About 40%-69% battery level.
1 grid	About 10%-39% battery level.
Blink	Battery level is below 10%.



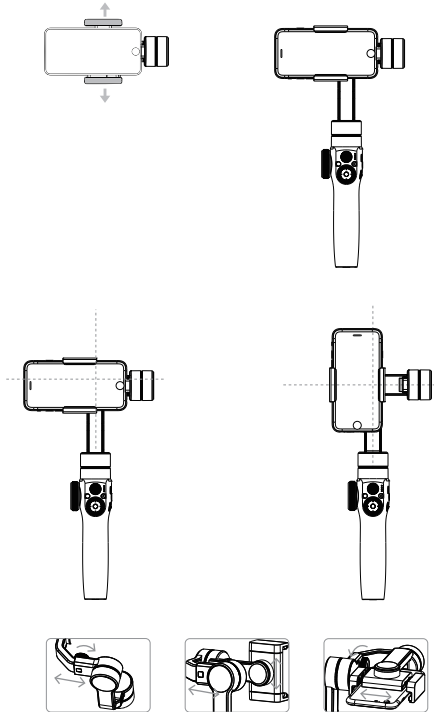
## How to Use

Firstly, download Godox Action APP.  
 Secondly, install the smartphone onto the Gimbal.  
 Thirdly, connect to the Bluetooth.  
 Fourthly, operate the Gimbal (note: all the functions of Gimbal can only be achieved in the Godox Action APP which was successfully connected via Bluetooth).

## Smartphone Installation

1. Open up the smartphone holder and install the smartphone.
2. Regulate the balance

Make the front face of the smartphone and the control panel to the same direction. Then, loosen the cross arm select dial and slightly pull out the cross arm leftwards or rightwards. If the smartphone keep its balance and do not move, it means the smartphone gets the right balance. Finally, screw the cross arm select dial.



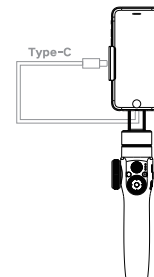
## Note:

1. Do not switch the Gimbal on before installing the smartphone and getting the right balance.
2. If the smartphone cannot get the right balance due to its large size, please separately purchase counterweight.
3. The balance state of smartphone has a giant influence on the performance and battery life of Gimbal. Though the Gimbal can still work when gets a little bit imbalance, it will consume more battery level, increase the heat value, and degrade its performance. When gets imbalance to some extent, the Gimbal will enter protection states and stop working to ensure it will not be damaged due to overheating.

## Charge Your Smartphone

Please use a separately purchased charging cable(one end of the cable is Type-C port while the other end is the corresponding port of the smartphone) to connect the smartphone with the Gimbal, thus making the Gimbal as the power supply of the smartphone.

Note: Mustn't use the Type-C USB port in the pitch axis to charge, or the circuit boards may be damaged because of short circuit.



## Operation

Long press the power switch for 2 seconds to power on/off the Gimbal.

### 1. Mode Switch

There are two modes. Push up the switch to L to enter lock mode while to F to enter yaw axis follow mode.

### 2. Rocker Switch

This switch can be divided into up button and down button. See the functions below.

Press the up button:

In lock mode (L), quickly follow the yaw axis and pitch axis.

In follow mode (F), quickly follow the yaw axis.

Press the down button:

In lock mode (L), quickly follow the yaw axis and pitch axis.

In follow mode (F), all locked.

Double click the down button: the yaw axis and pitch axis will back to middle.

#### Note:

Rocker switch is effective in lock mode and follow mode while ineffective in ongoing face follow or object follow mode.

### 3. Picture Shooting Button

Press this button to achieve smartphone shooting function.

### 4. Video Shooting Button (power switch)

(1) Video shooting: short press this button to achieve smartphone video shooting functions.

(2) Power on/off: long press this button for 2 seconds to power the Gimbal on or off.

### 5. Control Rocker

The control rocker is used for controlling the rotation of yaw axis and pitch axis, which is effective in lock mode and follow mode while ineffective in ongoing human face and object follow.

### 6. Big Wheel Knob

This big wheel knob is used for zooming and focus movement. Zooming and focus movement can be controlled respectively by big wheel knob and front select dial. And the functions of this two select dial can be changed with each other. Please refer to the next part for more details.

### 7. 5 Buttons + Front Select Dial

The five buttons (left button, right button, up button, down button and menu button in the middle) and one front select dial are used for operating Godox Action APP.

The APP interface can be divided into two modes, one is Menu Mode and the other one is Shortcut Mode. Press the Menu button in the middle to switch the two modes. If the icon turns to yellow or the ring menu pops out, it means the menu mode, otherwise, shortcut mode.

## Menu Mode

☰ Menu mode in the middle : click the menu button to switch menu mode and shortcut mode.

⊕ Left button: return to previous menu.

⊗ Right button: enter the next menu or confirm.

↶ Up button: change the option.

↷ Down button: change the option.

Front select dial: change the option.

## Shortcut Mode

☰ Menu mode in the middle : click the menu button to switch menu mode and shortcut mode.

⊕ Left button: to switch the zooming function of big wheel select dial and focus movement function of front select dial.

⊗ Right button: to enter or exit AE adjustment. When entering the AE adjustment, use the front select dial to change the value. AE adjustment will automatically exit in timeout conditions.

↶ Up button: to switch the front and back smartphone camera.

↷ Down button: to enter or exit smartphone album.

Front select dial: to zooming or focus movement and change the value of AE adjustment.

## APP Download and Usage

1. Scan the QR code below to download "Godox Action" APP(Android over 5.0, IOS over 9.0).The QR code may be ineffective in some area. Please download Godox Action APP on the website.

2. As the Android APP cannot be downloaded with Wechat, please use the browser to scan the QR code or search and download the "Godox Action" APP in the relevant APP store.



Godox Action APP for IOS



Godox Action APP for Android

### Note:

Please subject to the newest APP and upgrades will be made without prior notice.

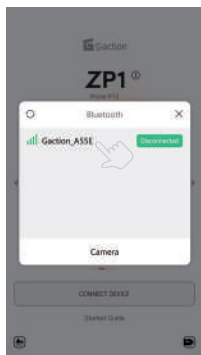
## Use APP



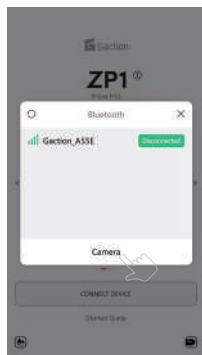
1. When using the APP at the first time, please grant related permissions of APP, otherwise, the APP cannot work normally.



2. Switch on the Gimbal, and open the smartphone Bluetooth and click to connect.

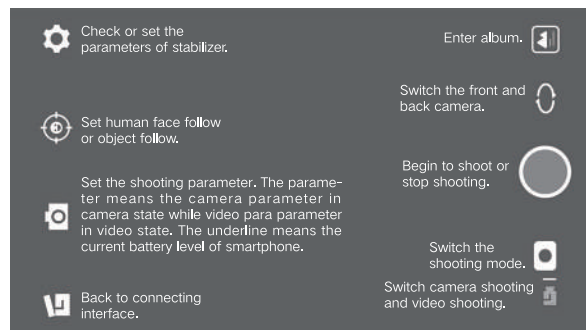


3. Start on the "Godox Camera" APP, click "connecting device" and choose the Gimbal that you want to connect.



4. Click the camera to enter shooting interface after successfully connected. After the first connection, APP will automatically connect to your smartphone in the next usage if the Gimbal is already powered on.

## 5. Operation of shooting interface.



## Firmware Upgrade

This Gimbal upgrades its firmware through USB port. Please refer to the newest firmware upgrade on Godox official website.

### Step:

1. Open the Godox official website [www.godox.com](http://www.godox.com), click the "Download" on the homepage, find the newest firmware upgrade of the corresponding Gimbal model and download the file.
2. Connect the Gimbal with a Type-C USB cable and power on the Gimbal.
3. Upgrade the firmware with the instructions.

## Technical Data

	Min.	Standard	Max.	Note
Operating Voltage		7.2V		
Operating Current		160mA	2000mA	
Charging Output Voltage	4.7V	5V	5.5V	
Charging Output Current	500mA	-	2000mA	
Power Output Voltage	-	5V	-	
Power Output Current	-	-	1000mA	
Built-in Battery Capacity	-	2600mAh* 2	-	
Pitch Axis Mechanical Movement Range	-	240 °	-	
Cross Axis Mechanical Movement Range	-	240 °	-	
Yaw Axis Mechanical Movement Range	-	550 °	-	
Operating Temperature	0°C	25°C	40°C	
Operating Time	-	15h	-	* To the check the situation of balance
Charging Time	-	3.5h	-	* To the check the situation of charger and charging cable
Environment Temperature of Charging	-5°C	-	40°C	
Load Weight	80g	-	230g	* Weight accessories are needed when the smartphone 's screen is over 6,5 Chinese inches
Cross Arm Adjustment Distance	-	10mm	-	
Clamp Distance	64mm	-	85mm	
Size	33x12x5,5cm			
Net Weight	590g			
Built-in Wireless System	BT			
Wireless Frequency	2402~2480MHz			
Max EIRP	≤6dbm			
Modulation Mode	GFSK			

## Troubleshooting

1. Cannot be powered on: check the battery level or charge the battery to full power before powering on the Gimbal.
2. The Gimbal cannot work due to shaking: turn off the Gimbal. Then, check whether the Gimbal is in the balance state or not, whether the smartphone is clamped by cross arm or not and whether the cross arm select dial is screwed or not. Place the Gimbal rightly before powering it on.
3. Bluetooth cannot be connected: check the connected objects, whether being connected to other device (especially in the situation that there are many Godox Gimbal) or not and check whether the Gimbal has already connected to other smartphone or not.
4. Cannot be charged or gets slow charging: replace the charger and Type-C USB cable to try it again. It is recommended to use the included Type-C USB cable.
5. Cannot be balanced: this is normally due to the size of smartphone. If the smartphone is too small, pull out the smartphone leftwards. If the smartphone is too large and whose screen is over 6.5 Chinese inches, please separately purchase weight accessory.

## Maintenance

1. No over 24 hours ' continuous charging.
2. Please charge the battery to approx. 60% before being placed for long time.
3. If the battery had ceased using for over 3 months, please make a full recharge.

## FCC Warning

This device complies with part 15 of the FCC Rules.

Operation is subject to the following two conditions:

(1) This device may not cause harmful interference, and  
(2) this device must accept any interference received, including interference that may cause undesired operation.

Any Changes or modifications not expressly approved by the party responsible for compliance could void the user's authority to operate the equipment.

### Note:

This equipment has been tested and found to comply with the limits for a Class B digital device, pursuant to part 15 of the FCC Rules. These limits are designed to provide reasonable protection against harmful interference in a residential installation. This equipment generates uses and can radiate radio frequency energy and, if not installed and used in accordance with the instructions, may cause harmful interference to radio communications. However, there is no guarantee that interference will not occur in a particular installation. If this equipment does cause harmful interference to radio or television reception, which can be determined by turning the equipment off and on, the user is encouraged to try to correct the interference by one or more of the following measures:

- Reorient or relocate the receiving antenna.
- Increase the separation between the equipment and receiver.
- Connect the equipment into an outlet on a circuit different from that to which the receiver is connected.
- Consult the dealer or an experienced radio/TV technician for help.

### \*RF warning:

This equipment complies with FCC radiation exposure limits set forth for an uncontrolled environment.

This transmitter must not be co-located or operating in conjunction with any other antenna or transmitter.

### ISED/C RSS warning

This device complies with Innovation, Science and Economic Development Canada Compliance licence-exempt RSS standard (s). Operation is subject to the following two conditions: (1) this device may not cause interference, and (2) this device must accept any interference, including interference that may cause undesired operation of the device. Le présent appareil est conforme aux CNR d'Innovation, Sciences et Développement économique Canada applicables aux appareils radio exempts de licence. L'exploitation est autorisée aux deux conditions suivantes: (1) l'appareil ne doit pas produire de brouillage, et (2) l'utilisateur de l'appareil doit accepter tout brouillage radioélectrique subi, même si le brouillage est susceptible d'en compromettre le fonctionnement.

### ISED/C Radiation Exposure Statement:

This equipment complies with ISED/C RF radiation exposure limits set forth for an uncontrolled environment. This transmitter must not be co-located or operating in conjunction with any other antenna or transmitter.

### IC exposition aux radiations:

Cet équipement est conforme avec ISED/C les limites d'exposition aux rayonnements définies pour un contrôle en environnement.

Cet émetteur ne doit pas être co-localisé ou fonctionner en conjonction avec une autre antenne ou émetteur.