



FCC TEST REPORT

FCC ID:2ABY9OMNIA-M2PLUS

Report Number..... **ZKT-2212069112E**
Date of Test..... Dec. 01, 2022 to Dec. 22, 2022
Date of issue..... Dec. 22, 2022
Total number of pages..... 24
Test Result PASS

Testing Laboratory..... **Shenzhen ZKT Technology Co., Ltd.**
Address 1/F, No. 101, Building B, No. 6, Tangwei Community Industrial Avenue, Fuhai Street, Bao'an District, Shenzhen, China

Applicant's name **Adam Elements International Co., LTD.**
Address 10F.-3, No.54, Songjiang Rd., Zhongshan Dist., Taipei City, Taiwan

Manufacturer's name **Adam Elements International Co., LTD.**
Address 10F.-3, No.54, Songjiang Rd., Zhongshan Dist., Taipei City, Taiwan

Test specification:
Standard..... FCC CFR Title 47 Part 15 Subpart C
Test procedure..... /
Non-standard test method N/A

Test Report Form No..... TRF-EL-106_V0
Test Report Form(s) Originator..... ZKT Testing
Master TRF Dated: 2020-01-06

This device described above has been tested by ZKT, and the test results show that the equipment under test (EUT) is in compliance with the FCC requirements. And it is applicable only to the tested sample identified in the report.
 This report shall not be reproduced except in full, without the written approval of ZKT, this document may be altered or revised by ZKT, personal only, and shall be noted in the revision of the document.

Product name..... **Multi-function Wireless Charging Dock**
Trademark N/A
Model/Type reference..... OMNIA M2+
 APAADM2PWH, APAADM2PUSWH, APAADM2POGWH
 Input: DC 5V3A, 9V3A, 12V2.5A, 15V2A
 Output 1: 5W, 7.5W, 10W, 15W
Ratings..... Output 2: 5W
 USB C Output: 5W



Testing procedure and testing location:

Testing Laboratory.....: **Shenzhen ZKT Technology Co., Ltd.**

Address.....: 1/F, No. 101, Building B, No. 6, Tangwei Community Industrial Avenue, Fuhai Street, Bao'an District, Shenzhen, China

Tested by (name + signature).....: Tom Zou

Tom Zou

Reviewer (name + signature).....: Jackson Fang

Jackson Fang

Approved (name + signature).....: Lake Xie





TABLE OF CONTENTS

1. VERSION	4
2. TEST SUMMARY	5
2.1 TEST FACILITY	6
2.2 MEASUREMENT UNCERTAINTY	6
3. GENERAL INFORMATION	7
3.1 GENERAL DESCRIPTION OF EUT	7
3.2 Test mode	8
3.3 Block Diagram of EUT Configuration	9
3.4 Test Conditions	9
3.5 Description Of Support Units (Conducted Mode)	9
3.6 EQUIPMENTS LIST FOR ALL TEST ITEMS	10
4. CONDUCTED EMISSION TEST	12
4.1 CONDUCTED EMISSION MEASUREMENT	12
4.1.1 POWER LINE CONDUCTED EMISSION Limits	12
4.1.2 TEST PROCEDURE	12
4.1.3 DEVIATION FROM TEST STANDARD	12
4.1.4 TEST SETUP	13
4.1.5 EUT OPERATING CONDITIONS	13
4.1.6 Test Result	14
5. RADIATED EMISSION MEASUREMENT	16
5.1 Radiated Emission Limits	16
5.2 Anechoic Chamber Test Setup Diagram	17
5.3 Test Procedure	17
5.4 DEVIATION FROM TEST STANDARD	17
5.5 Test Result	18
6. BANDWIDTH TEST	21
7. ANTENNA REQUIREMENT	23
8. TEST SETUP PHOTO	24
9. EUT CONSTRUCTIONAL DETAILS	24



1. VERSION

Report No.	Version	Description	Approved
ZKT-2212069112E	Rev.01	Initial issue of report	Dec. 22, 2022



2. TEST SUMMARY

Test Item	Section in CFR 47	Result
Antenna requirement	15.203	Pass
AC Power Line Conducted Emission	15.207	Pass
Spurious Emission	15.209(a)(f)	Pass
20dB Bandwidth	15.215	Pass

NOTE:

(1) "N/A" denotes test is not applicable in this Test Report



2.1 TEST FACILITY

Shenzhen ZKT Technology Co., Ltd.
Add. : 1/F, No. 101, Building B, No. 6, Tangwei Community Industrial Avenue, Fuhai Street,
Bao'an District, Shenzhen, China

FCC Test Firm Registration Number: 692225
Designation Number: CN1299
IC Registered No.: 27033

2.2 MEASUREMENT UNCERTAINTY

The reported uncertainty of measurement $y \pm U$, where expanded uncertainty U is based on a standard uncertainty multiplied by a coverage factor of $k=2$, providing a level of confidence of approximately 95 %.

No.	Item	Uncertainty
1	3m chamber Radiated spurious emission(9KHz-30MHz)	U=4.5dB
2	3m chamber Radiated spurious emission(30MHz-1GHz)	U=4.8dB
3	3m chamber Radiated spurious emission(1GHz-6GHz)	U=4.9dB
4	3m chamber Radiated spurious emission(6GHz-40GHz)	U=5.0dB
5	Conducted disturbance	U=3.2dB
6	RF Band Edge	U=1.68dB
7	RF power conducted	U=1.86dB
8	RF conducted Spurious Emission	U=2.2dB
9	RF Occupied Bandwidth	U=1.8dB
10	RF Power Spectral Density	U=1.75dB
11	humidity uncertainty	U=5.3%
12	Temperature uncertainty	U=0.59℃



3. GENERAL INFORMATION

3.1 GENERAL DESCRIPTION OF EUT

Product Name:	Multi-function Wireless Charging Dock
Model No.:	OMNIA M2+
Model Difference:	Only the model name is different.
Serial No.:	APAADM2PWH, APAADM2PUSWH, APAADM2POGWH
Hardware version:	V1.1
Software version:	V1.0
Operation Frequency:	115KHz ~ 205KHz
Modulation type:	MSK
Antenna Type:	Inductive loop coil Antenna
Antenna gain:	0dBi
Power supply:	Input: DC 5V/3A, 9V/3A, 12V/2.5A, 15V/2A Output 1: 5W, 7.5W, 10W, 15W Output 2: 5W USB C Output: 5W
Test Description:	Airpods and Watch and Phone Battery > 98%, =50% and < 1% are tested, and the worst is < 1%.



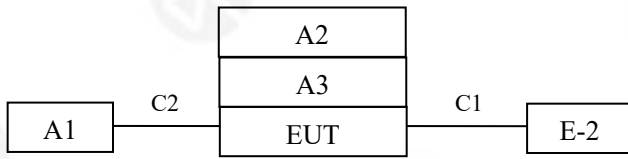
3.2 Test mode

Test Modes:		
Mode 1	AC Adaptor (5V/3A) + EUT + Airpods	
Mode 2	AC Adaptor (5V/3A) + EUT + Watch	
Mode 3	AC Adaptor (5V/3A) + EUT + Phone	
Mode 4	AC Adaptor (5V/3A) + EUT + Airpods + Watch	
Mode 5	AC Adaptor (5V/3A) + EUT + Airpods + Phone	
Mode 6	AC Adaptor (5V/3A) + EUT + Watch + Phone	
Mode 7	AC Adaptor (5V/3A) + EUT + Airpods + Watch + Phone	
Mode 8	AC Adaptor (9V/3A) + EUT + Airpods	
Mode 9	AC Adaptor (9V/3A) + EUT + Watch	
Mode 10	AC Adaptor (9V/3A) + EUT + Phone	
Mode 11	AC Adaptor (9V/3A) + EUT + Airpods + Watch	
Mode 12	AC Adaptor (9V/3A) + EUT + Airpods + Phone	
Mode 13	AC Adaptor (9V/3A) + EUT + Watch + Phone	
Mode 14	AC Adaptor (9V/3A) + EUT + Airpods + Watch + Phone	
Mode 15	AC Adaptor (12V/2.5A) + EUT + Airpods	
Mode 16	AC Adaptor (12V/2.5A) + EUT + Watch	
Mode 17	AC Adaptor (12V/2.5A) + EUT + Phone	
Mode 18	AC Adaptor (12V/2.5A) + EUT + Airpods + Watch	
Mode 19	AC Adaptor (12V/2.5A) + EUT + Airpods + Phone	
Mode 20	AC Adaptor (12V/2.5A) + EUT + Watch + Phone	
Mode 21	AC Adaptor (12V/2.5A) + EUT + Airpods + Watch + Phone	
Mode 22	AC Adaptor (15V/2A) + EUT + Airpods	
Mode 23	AC Adaptor (15V/2A) + EUT + Watch	
Mode 24	AC Adaptor (15V/2A) + EUT + Phone	
Mode 25	AC Adaptor (15V/2A) + EUT + Airpods + Watch	
Mode 26	AC Adaptor (15V/2A) + EUT + Airpods + Phone	
Mode 27	AC Adaptor (15V/2A) + EUT + Watch + Phone	
Mode 28	AC Adaptor (15V/2A) + EUT + Phone + Watch + Airpods	Record
N/A		

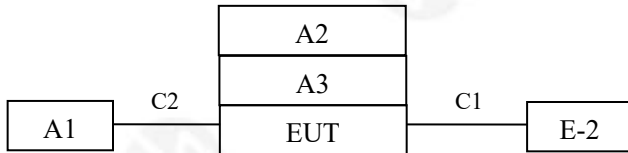


3.3 Block Diagram of EUT Configuration

Conducted Emission



Radiated Emission



3.4 Test Conditions

Temperature: 23~26°C

Relative Humidity: 54~63 %

3.5 Description Of Support Units (Conducted Mode)

The EUT has been tested as an independent unit together with other necessary accessories or support units. The following support units or accessories were used to form a representative test configuration during the tests.

Item	Equipment	Mfr/Brand	Model/Type No.	Series No.	Note
E-1	Multi-function Wireless Charging Dock	N/A	OMNIA M2+	See page 7	EUT
E-2	AC Adaptor	HUAWEI	ZKT-01	N/A	Auxiliary
A1	Airpods	iPhone	ZKT-02	N/A	Auxiliary
A2	Watch	iPhone	ZKT-03	N/A	Auxiliary
A3	Phone	HUAWEI	ZKT-04	N/A	Auxiliary

Item	Shielded Type	Ferrite Core	Length	Note
C1	N/A	N/A	1 M	USB Cable
C2	N/A	N/A	1.2M	Dual Type-C interfaces

Note:

- (1) The support equipment was authorized by Declaration of Confirmation.
- (2) For detachable type I/O cable should be specified the length in cm in 『Length』 column.
- (3) “YES” is means “shielded” “with core”; “NO” is means “unshielded” “without core”.



3.6 EQUIPMENTS LIST FOR ALL TEST ITEMS

Radiation Test equipment

Item	Equipment	Manufacturer	Type No.	Serial No.	Last calibration	Calibrated until
1	Spectrum Analyzer (9kHz-26.5GHz)	KEYSIGHT	9020A	MY55370835	Oct. 28, 2022	Oct. 27, 2023
2	Spectrum Analyzer (10kHz-39.9GHz)	R&S	FSQ	100363	Oct. 28, 2022	Oct. 27, 2023
3	EMI Test Receiver (9kHz-7GHz)	R&S	ESCI7	101169	Oct. 28, 2022	Oct. 27, 2023
4	Bilog Antenna (30MHz-1500MHz)	Schwarzbeck	VULB9168	N/A	Nov. 02, 2022	Nov. 01, 2023
5	Horn Antenna (1GHz-18GHz)	Agilent	AH-118	071145	Nov. 01, 2022	Oct. 31, 2023
6	Horn Antenna (15GHz-40GHz)	A.H.System	SAS-574	588	Oct. 28, 2022	Oct. 27, 2023
7	Loop Antenna	TESEQ	HLA6121	58357	Nov. 01, 2022	Oct. 31, 2023
8	Amplifier (30-1000MHz)	EM Electronics	EM330 Amplifier	060747	Nov. 15, 2022	Nov. 14, 2023
9	Amplifier (1GHz-26.5GHz)	Agilent	8449B	3008A00315	Oct. 28, 2022	Oct. 27, 2023
10	Amplifier (500MHz-40GHz)	全聚达	DLE-161	097	Oct. 28, 2022	Oct. 27, 2023
11	Test Cable	N/A	R-01	N/A	Oct. 28, 2022	Oct. 27, 2023
12	Test Cable	N/A	R-02	N/A	Oct. 28, 2022	Oct. 27, 2023
13	Test Cable	N/A	R-03	N/A	Oct. 28, 2022	Oct. 27, 2023
14	Test Cable	N/A	RF-01	N/A	Oct. 28, 2022	Oct. 27, 2023
15	Test Cable	N/A	RF-02	N/A	Oct. 28, 2022	Oct. 27, 2023
16	Test Cable	N/A	RF-03	N/A	Oct. 28, 2022	Oct. 27, 2023
17	ESG Signal Generator	Agilent	E4421B	N/A	Oct. 21, 2022	Oct. 20, 2023
18	Signal Generator	Agilent	N5182A	N/A	Oct. 21, 2022	Oct. 20, 2023
19	Magnetic Field Probe Tester	Narda	ELT-400	0-0344	Nov. 15, 2022	Nov. 14, 2023
20	Wideband Radio Communication Test	R&S	CMW500	106504	Oct. 28, 2022	Oct. 27, 2023
21	MWRF Power Meter Test system	MW	MW100-RPCB	N/A	Oct. 21, 2022	Oct. 20, 2023
22	D.C. Power Supply	LongWei	TPR-6405D	N/A	\	\
23	EMC Software	Frad	EZ-EMC	Ver.EMC-CON 3A1.1	\	\
24	RF Software	MW	MTS8310	V2.0.0.0	\	\
25	Turntable	MF	MF-7802BS	N/A	\	\
26	Antenna tower	MF	MF-7802BS	N/A	\	\



Conduction Test equipment

Item	Kind of Equipment	Manufacturer	Type No.	Serial No.	Last calibration	Calibrated until
1	LISN	R&S	ENV216	101471	Oct. 21, 2022	Oct. 20, 2023
2	LISN	CYBERTEK	EM5040A	E1850400149	Oct. 21, 2022	Oct. 20, 2023
3	Test Cable	N/A	C-01	N/A	Oct. 21, 2022	Oct. 20, 2023
4	Test Cable	N/A	C-02	N/A	Oct. 21, 2022	Oct. 20, 2023
5	Test Cable	N/A	C-03	N/A	Oct. 21, 2022	Oct. 20, 2023
6	EMI Test Receiver	R&S	ESCI3	101393	Oct. 28, 2022	Oct. 27, 2023
7	Triple-Loop Antenna	N/A	RF300	N/A	Oct. 28, 2022	Oct. 27, 2023
8	Absorbing Clamp	DZ	ZN23201	15034	Oct. 31, 2022	Oct. 30, 2023
9	EMC Software	Frad	EZ-EMC	Ver.EMC-CON 3A1.1	\	\



4. CONDUCTED EMISSION TEST

4.1 CONDUCTED EMISSION MEASUREMENT

Test Requirement:	FCC Part15 C Section 15.207
Test Method:	ANSI C63.10:2013
Test Frequency Range:	150KHz to 30MHz
Receiver setup:	RBW=9KHz, VBW=30KHz, Sweep time=auto

4.1.1 POWER LINE CONDUCTED EMISSION Limits

FREQUENCY (MHz)	Limit (dBuV)		Standard
	Quas-peak	Average	
0.15 -0.5	66 - 56 *	56 - 46 *	FCC
0.50 -5.0	56.00	46.00	FCC
5.0 -30.0	60.00	50.00	FCC

Note:

(1) *Decreases with the logarithm of the frequency.

4.1.2 TEST PROCEDURE

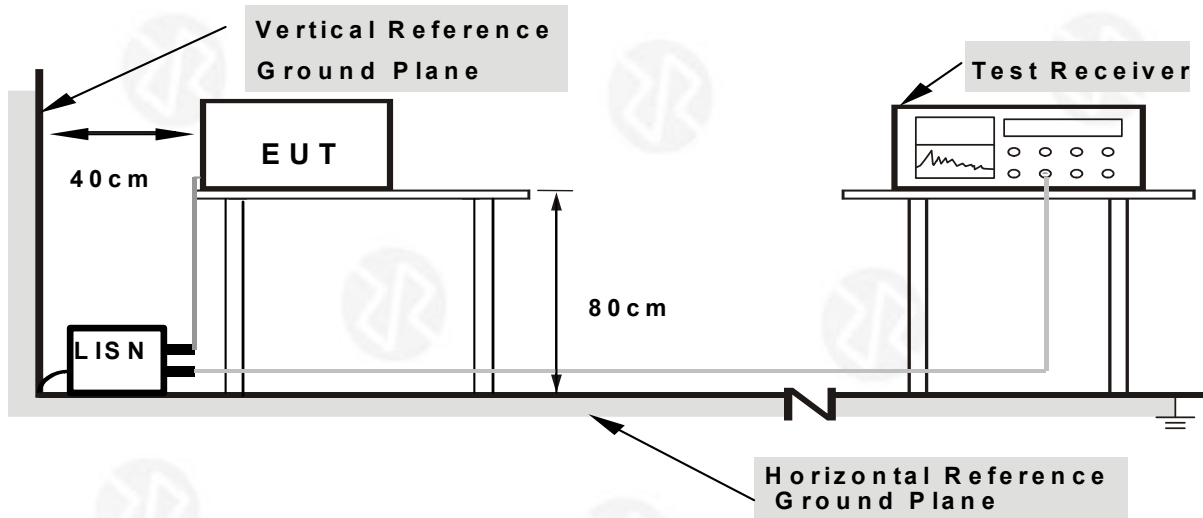
- a. The EUT was placed 0.8 meters from the horizontal ground plane with EUT being connected to the power mains through a line impedance stabilization network (LISN). All other support equipments powered from additional LISN(s). The LISN provide 50 Ohm/ 50uH of coupling impedance for the measuring instrument.
- b. Interconnecting cables that hang closer than 40 cm to the ground plane shall be folded back and forth in the center forming a bundle 30 to 40 cm long.
- c. I/O cables that are not connected to a peripheral shall be bundled in the center. The end of the cable may be terminated, if required, using the correct terminating impedance. The overall length shall not exceed 1 m.
- d. LISN at least 80 cm from nearest part of EUT chassis.
- e. For the actual test configuration, please refer to the related Item –EUT Test Photos.

4.1.3 DEVIATION FROM TEST STANDARD

No deviation



4.1.4 TEST SETUP



- Note:**
- 1.Support units were connected to second LISN.
 - 2.Both of LISNs (AMN) are 80 cm from EUT and at least 80 cm from other units and other metal planes

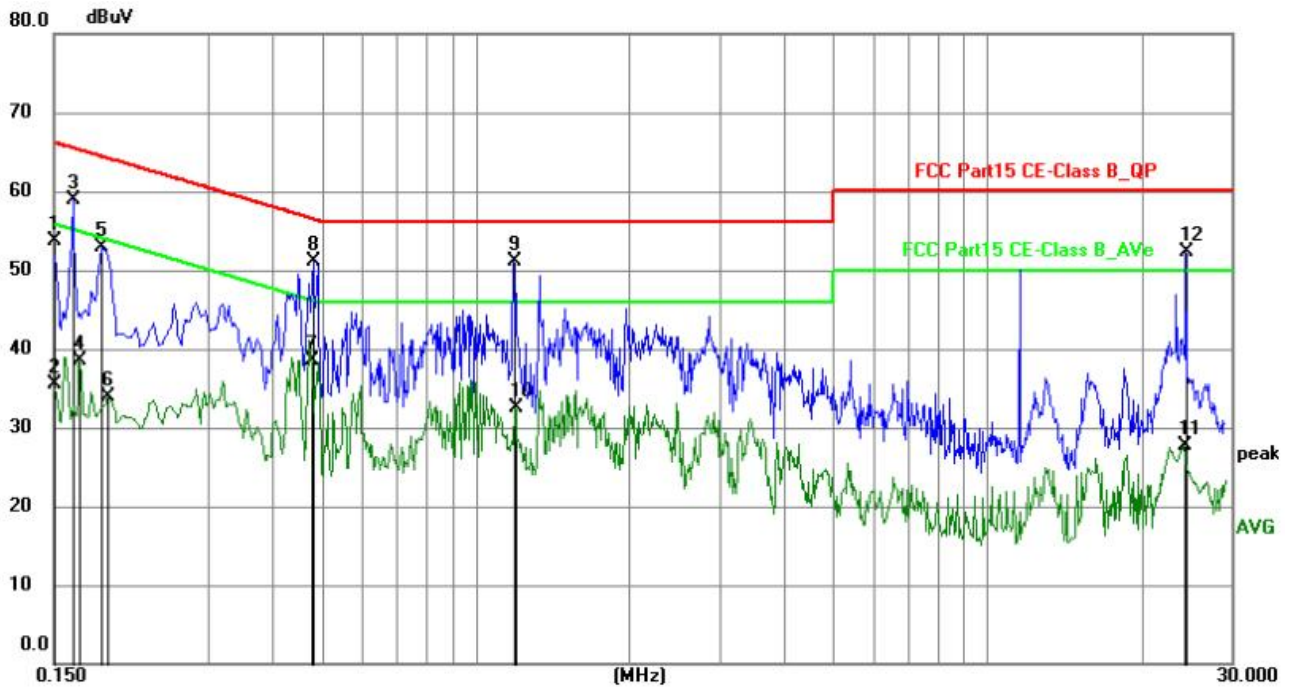
4.1.5 EUT OPERATING CONDITIONS

The EUT was configured for testing in a typical fashion (as a customer would normally use it). The EUT has been programmed to continuously transmit during test. This operating condition was tested and used to collect the included data.



4.1.6 Test Result

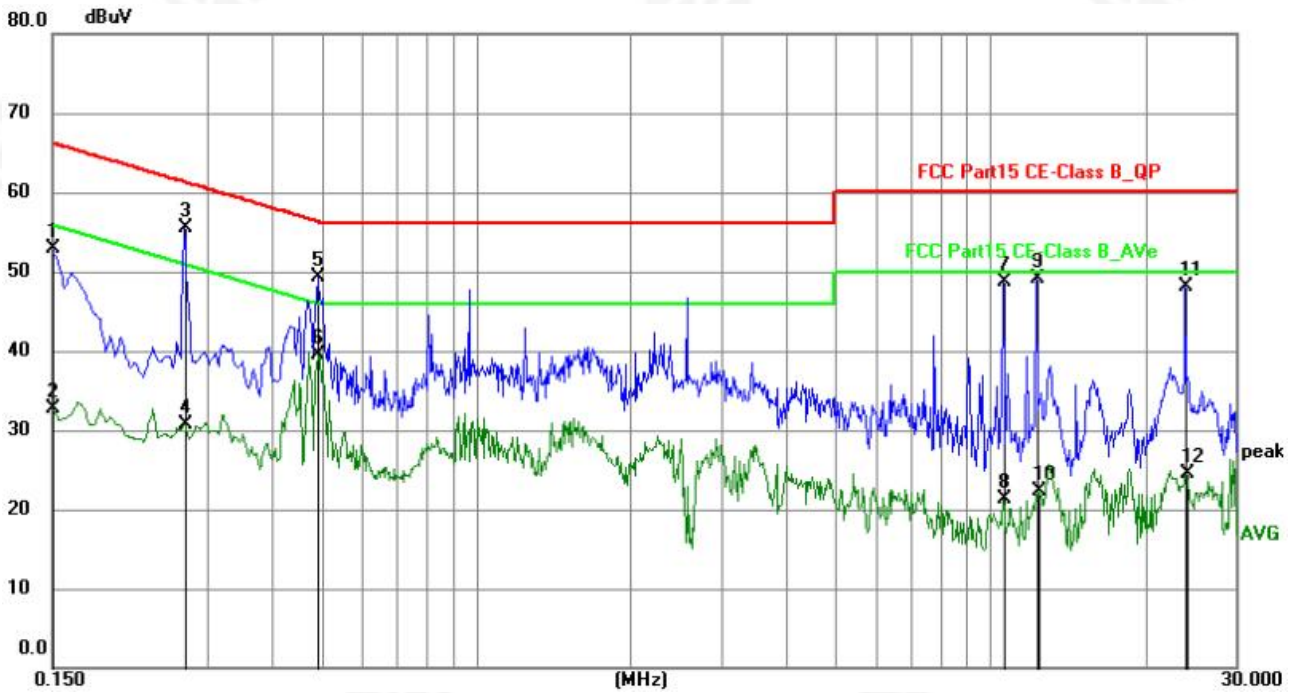
Temperature:	26°C	Relative Humidity:	54%
Pressure:	101 kPa	Polarization:	L
Test Voltage:	AC 120V/60Hz		



No.	Frequency (MHz)	Reading (dBuV)	Factor (dB)	Level (dBuV)	Limit (dBuV)	Margin (dB)	Detector	P/F	Remark
1	0.1500	30.70	23.01	53.71	66.00	-12.29	QP	P	
2	0.1500	12.43	23.01	35.44	56.00	-20.56	AVG	P	
3	0.1635	36.18	22.71	58.89	65.28	-6.39	QP	P	
4	0.1680	15.83	22.61	38.44	55.06	-16.62	AVG	P	
5	0.1860	30.75	22.23	52.98	64.21	-11.23	QP	P	
6	0.1913	11.70	22.11	33.81	53.98	-20.17	AVG	P	
7	0.4785	17.83	20.64	38.47	46.37	-7.90	AVG	P	
8	0.4830	30.57	20.62	51.19	56.29	-5.10	QP	P	
9	1.1894	30.79	20.39	51.18	56.00	-4.82	QP	P	
10	1.1939	12.04	20.39	32.43	46.00	-13.57	AVG	P	
11	24.1709	7.71	19.90	27.61	50.00	-22.39	AVG	P	
12	24.4995	32.47	19.90	52.37	60.00	-7.63	QP	P	



Temperature:	26°C	Relative Humidity:	54%
Pressure:	101 kPa	Polarization:	N
Test Voltage:	AC 120V/60Hz		



No.	Frequency (MHz)	Reading (dBuV)	Factor (dB)	Level (dBuV)	Limit (dBuV)	Margin (dB)	Detector	P/F	Remark
1	0.1500	29.83	23.01	52.84	66.00	-13.16	QP	P	
2	0.1500	9.68	23.01	32.69	56.00	-23.31	AVG	P	
3	0.2714	33.82	21.59	55.41	61.07	-5.66	QP	P	
4	0.2714	9.14	21.59	30.73	51.07	-20.34	AVG	P	
5	0.4920	28.66	20.58	49.24	56.13	-6.89	QP	P	
6	0.4920	18.89	20.58	39.47	46.13	-6.66	AVG	P	
7	10.5900	30.23	18.54	48.77	60.00	-11.23	QP	P	
8	10.5900	2.81	18.54	21.35	50.00	-28.65	AVG	P	
9	12.2640	30.24	18.78	49.02	60.00	-10.98	QP	P	
10	12.4485	3.41	18.80	22.21	50.00	-27.79	AVG	P	
11	23.9505	28.21	19.90	48.11	60.00	-11.89	QP	P	
12	24.0720	4.53	19.90	24.43	50.00	-25.57	AVG	P	



5. RADIATED EMISSION MEASUREMENT

Test Requirement:	FCC Part15 C Section 15.209				
Test Method:	ANSI C63.10:2013				
Test Frequency Range:	9kHz to 1GHz				
Test site:	Measurement Distance: 3m				
Receiver setup:	Frequency	Detector	RBW	VBW	Value
	9KHz-150KHz	Quasi-peak	200Hz	600Hz	Quasi-peak
	150KHz-30MHz	Quasi-peak	9KHz	30KHz	Quasi-peak
	30MHz-1GHz	Quasi-peak	100KHz	300KHz	Quasi-peak
	Above 1GHz	Peak	1MHz	3MHz	Peak
Peak		1MHz	10Hz	Average	

5.1 Radiated Emission Limits

Limits for frequency below 30MHz

Frequency	Limit (uV/m)	Measurement Distance(m)	Remark
0.009-0.490	2400/F(kHz)	300	Quasi-peak Value
0.490-1.705	24000/F(kHz)	30	Quasi-peak Value
1.705-30	30	30	Quasi-peak Value

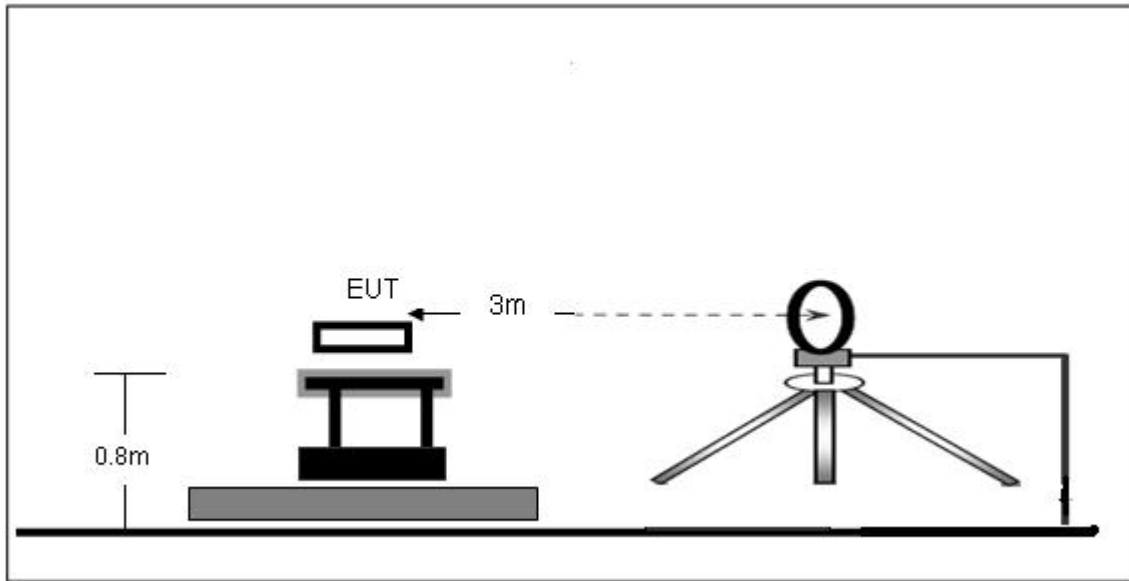
Limits for frequency Above 30MHz

Frequency	Limit (dBuV/m @3m)	Remark
30MHz-88MHz	40.00	Quasi-peak Value
88MHz-216MHz	43.50	Quasi-peak Value
216MHz-960MHz	46.00	Quasi-peak Value
960MHz-1GHz	54.00	Quasi-peak Value
Above 1GHz	54.00	Average Value
	74.00	Peak Value

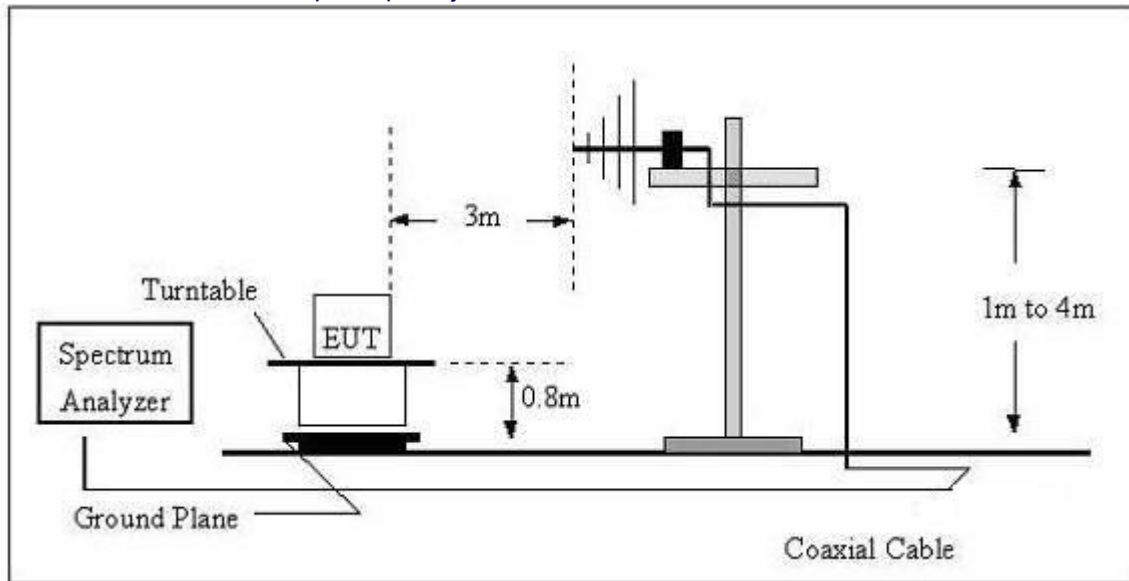


5.2 Anechoic Chamber Test Setup Diagram

(A) Radiated Emission Test-Up Frequency Below 30MHz



(B) Radiated Emission Test-Up Frequency 30MHz~1GHz



The radiated emission tests were performed in the 3 meters chamber test site, using the setup accordance with the ANSI C63.10-2013. The specification used was the FCC 15.209 and FCC 15.205 limits.

5.3 Test Procedure

The EUT is placed on a turn table which is 0.8 meter above ground. The turn table can rotate 360 degrees to determine the position of the maximum emission level. The EUT is set 3 meters away from the receiving antenna which is mounted on a antenna tower. The antenna can move up and down between 1 to 4 meters to find out the maximum emission level. Broadband antenna (calibrated by dipole antenna) are used as a receiving antenna. Both horizontal and vertical polarization of the antenna are set on measurement.

5.4 DEVIATION FROM TEST STANDARD

No deviation



5.5 Test Result

Measurement data:

Note: Limit dBuV/m @3m = Limit dBuV/m @300m+ 80

Limit dBuV/m @3m = Limit dBuV/m @30m + 40

9 kHz~30 MHz

Frequency (kHz)	Meter Reading (dBμV)	Factor (dB)	Emission Level (dBμV/m)	Limits (dBμV/m)	Margin (dB)	Detector Type
29.33	45.12	20.26	65.38	138.26	-72.88	PK
29.33	21.45	11.67	33.12	118.26	-85.14	AV
75.84	22.59	23.54	46.13	130.01	-83.88	PK
75.84	19.38	15.75	35.13	110.01	-74.88	AV
128.20	74.39	27.63	102.02	125.45	-23.43	PK
128.20	65.85	24.39	90.24	105.45	-15.21	AV
864.32	19.48	9.53	29.01	68.87	-39.86	QP
964.37	10.74	12.95	23.69	67.92	-44.23	QP
1450.44	11.43	10.89	22.32	64.37	-42.05	QP

Note:

Pre-scan in the all of mode, the worst case in of was recorded.

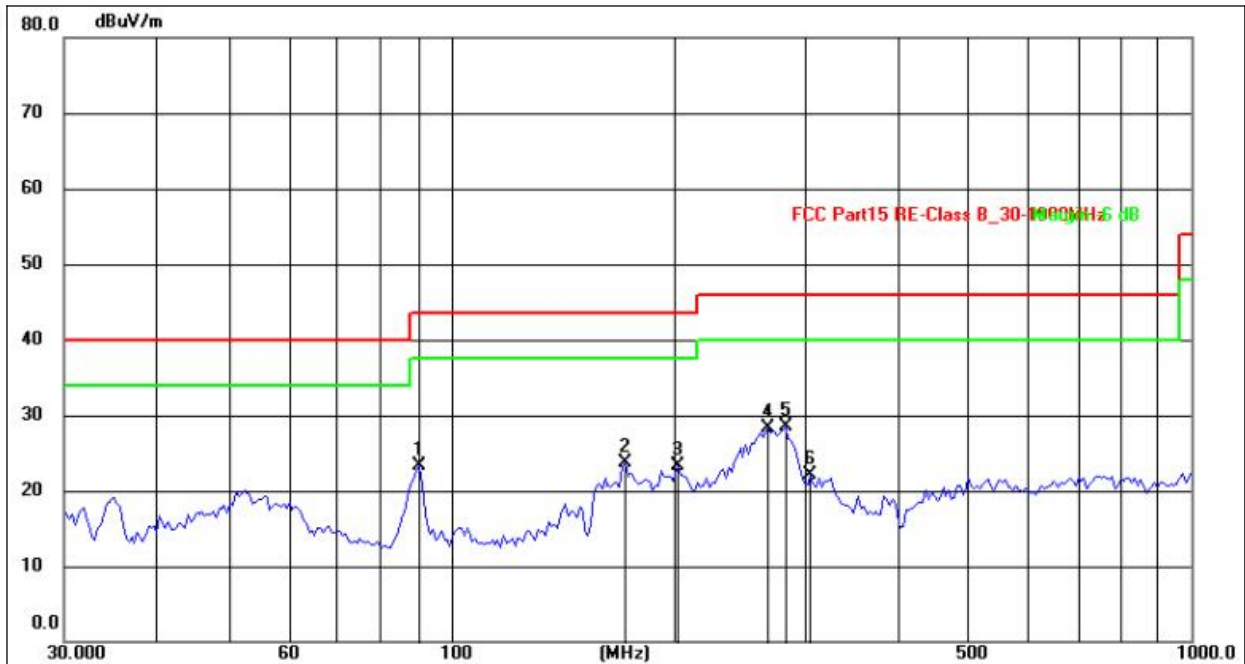
Factor = antenna factor + cable loss – pre-amplifier.

Margin = Emission Level- Limit.



30MHz-1GHz

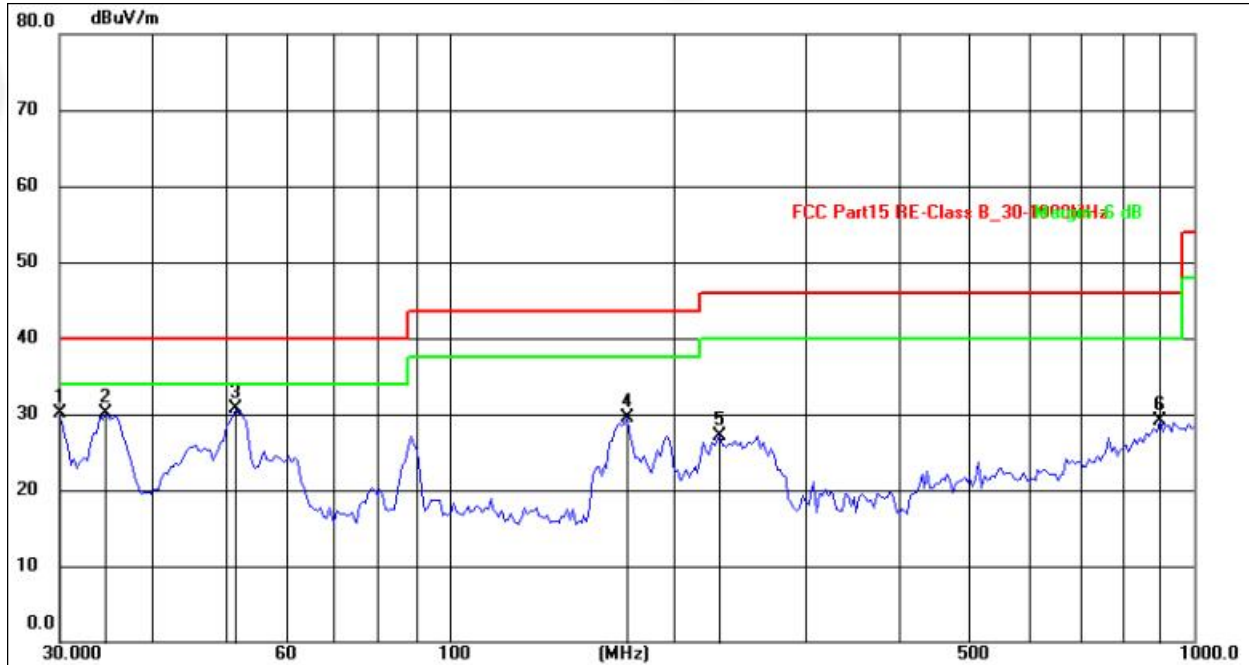
Temperature:	26°C	Relative Humidity:	54%
Pressure:	101 kPa	Polarization:	Horizontal
Test Voltage:	AC 120V/60Hz		



No.	Frequency (MHz)	Reading (dBuV)	Factor (dB/m)	Level (dBuV/m)	Limit (dBuV/m)	Margin (dB)	Detector
1	90.5374	43.40	-20.17	23.23	43.50	-20.27	QP
2	171.6932	40.88	-17.15	23.73	43.50	-19.77	QP
3	202.8103	41.89	-18.66	23.23	43.50	-20.27	QP
4	268.4852	43.35	-15.04	28.31	46.00	-17.69	QP
5	282.9849	43.27	-14.73	28.54	46.00	-17.46	QP
6	306.2162	39.04	-16.96	22.08	46.00	-23.92	QP



Temperature:	26°C	Relative Humidity:	54%
Pressure:	101kPa	Polarization:	Vertical
Test Voltage:	AC 120V/60Hz		



No.	Frequency (MHz)	Reading (dBuV)	Factor (dB/m)	Level (dBuV/m)	Limit (dBuV/m)	Margin (dB)	Detector
1	30.0000	48.50	-18.44	30.06	40.00	-9.94	QP
2	34.5172	47.83	-17.69	30.14	40.00	-9.86	QP
3	51.6613	48.08	-17.46	30.62	40.00	-9.38	QP
4	173.2050	49.43	-19.96	29.47	43.50	-14.03	QP
5	231.3119	47.41	-20.32	27.09	46.00	-18.91	QP
6	900.1473	29.88	-0.74	29.14	46.00	-16.86	QP

Remarks:

1. Final Level = Receiver Read level + Antenna Factor + Cable Loss – Preamplifier Factor
2. The emission levels of other frequencies are very lower than the limit and not show in test report.



6. BANDWIDTH TEST

1. Set RBW = 30Hz.
2. Set the video bandwidth (VBW) $\geq 3 \times$ RBW.
3. Detector = Peak.
4. Trace mode = max hold.
5. Sweep = auto couple.
6. Allow the trace to stabilize.
7. Measure the maximum width of the emission that is constrained by the frequencies associated with the two outermost amplitude points (upper and lower frequencies) that are attenuated by 20 dB relative to the maximum level measured in the fundamental emission.

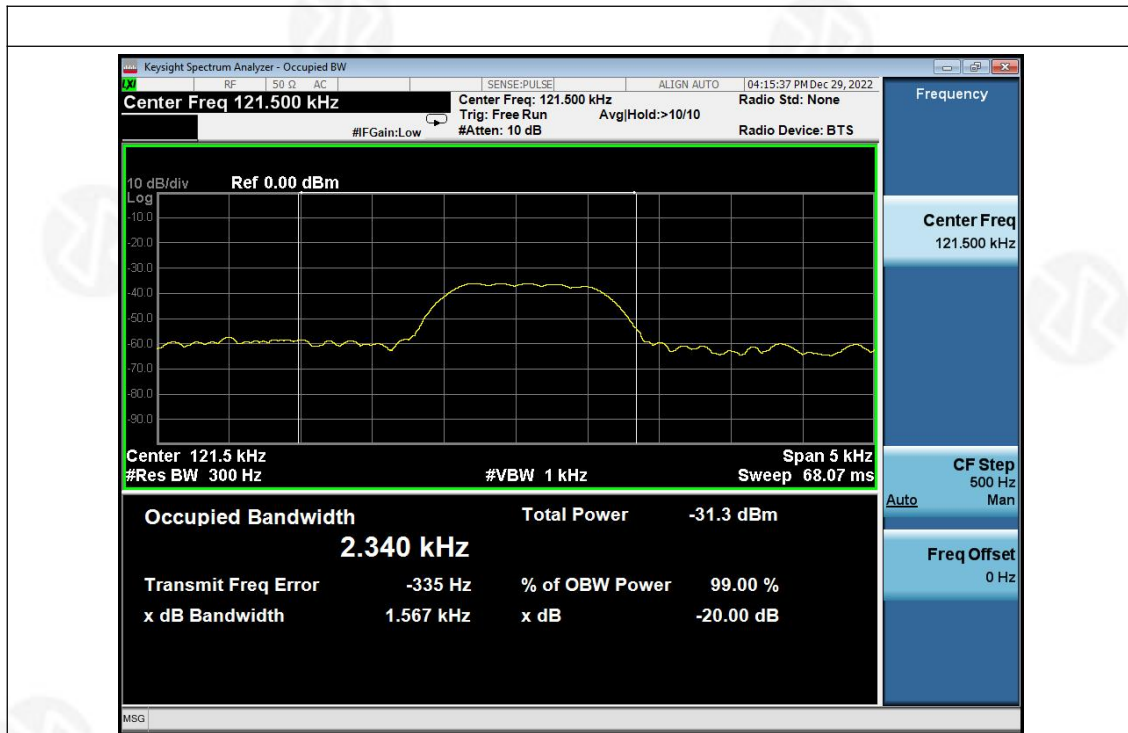
TEST SETUP





Temperature:	26 °C	Relative Humidity:	54%
Pressure:	101kPa		

Frequency (KHz)	20dB bandwidth (Hz)	Result
121.50	1.56	Pass





7. ANTENNA REQUIREMENT

Standard requirement:	FCC Part15 C Section 15.203
15.203 requirement: An intentional radiator shall be designed to ensure that no antenna other than that furnished by the responsible party shall be used with the device. The use of a permanently attached antenna or of an antenna that uses a unique coupling to the intentional radiator, the manufacturer may design the unit so that a broken antenna can be replaced by the user, but the use of a standard antenna jack or electrical connector is prohibited.	
EUT Antenna:	
The antenna is Loop antenna, the best case gain of the antennas is 0dBi, reference to the appendix II for details	



8. TEST SETUP PHOTO

Reference to the appendix I for details.

9. EUT CONSTRUCTIONAL DETAILS

Reference to the appendix II for details.

***** END OF REPORT *****