

CASA Hub 07

USB-C multi-function Hub with wireless charger

EN User Manual 01

DE Bedienungsanleitung 02

FR Mode d'emploi 03

ES Manual de usuario. 04

PT Manual do usuário 05

RU Руководство по эксплуатации 06

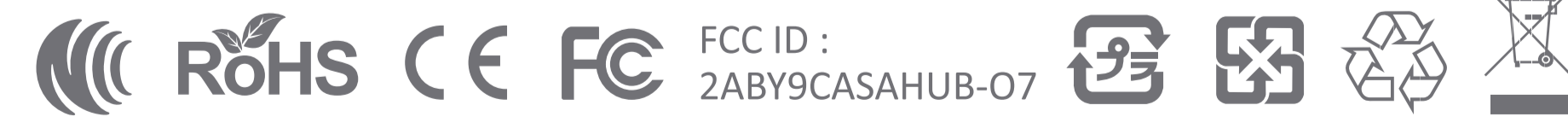
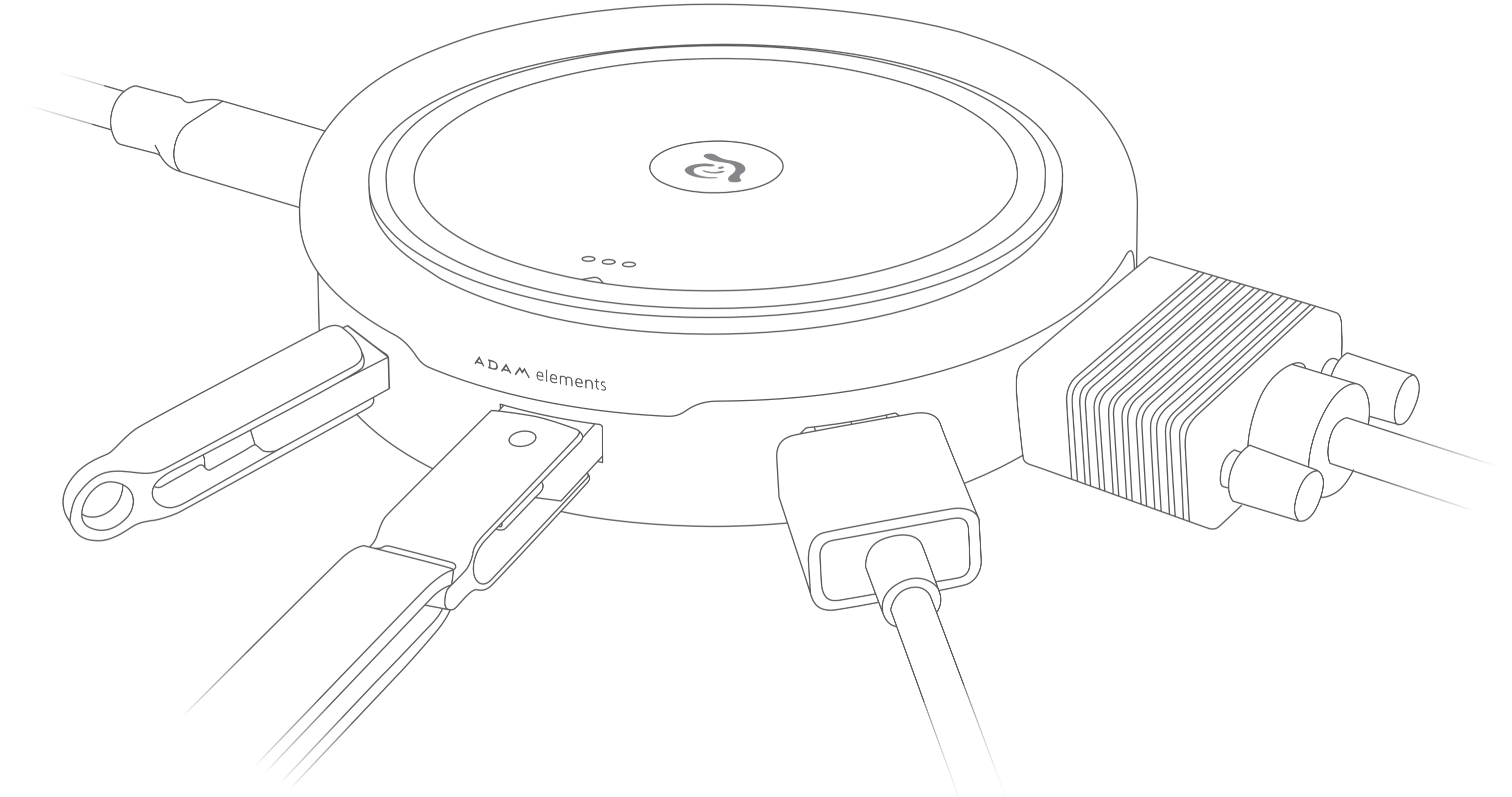
AR دليل المستخدم 07

JP 取扱説明書 08

KR 사용 설명서 09

SC 使用说明书 10

TC 使用説明書 11



© 2019 ADAM elements International Co., Ltd. All other trademarks / logos are property of their owners.



English User Manual

CASA Hub O7

USB-C Power Port x1
Interface: USB-C with PD 3.0 compliance
Power Rating: 20V ≐ 5A, 100W max.

USB-C Data Port x1
Interface: USB 3.1 Gen 2 Type-C
Transfer Speed: 10 Gbps max.

HDMI Female x1
Resolution: 4K (3840 X 2160) @30Hz max.
Display Modes: Extended, Mirror
Display Rotation: 0°, 90°, 180°, 270°

VGA Female x1
Resolution: 1080P (1920 X 1080) @60Hz max.
Display Modes: Extended, Mirror
Display Rotation: 0°, 90°, 180°, 270°

OS Compatibility:
macOS, Windows 8 / 10, Linux, Chrome OS

Operating Temperature: 0°C - 40°C
Storage Temperature: -20°C - 80 °C

USB-C Multi-Function Hub with Wireless Charger

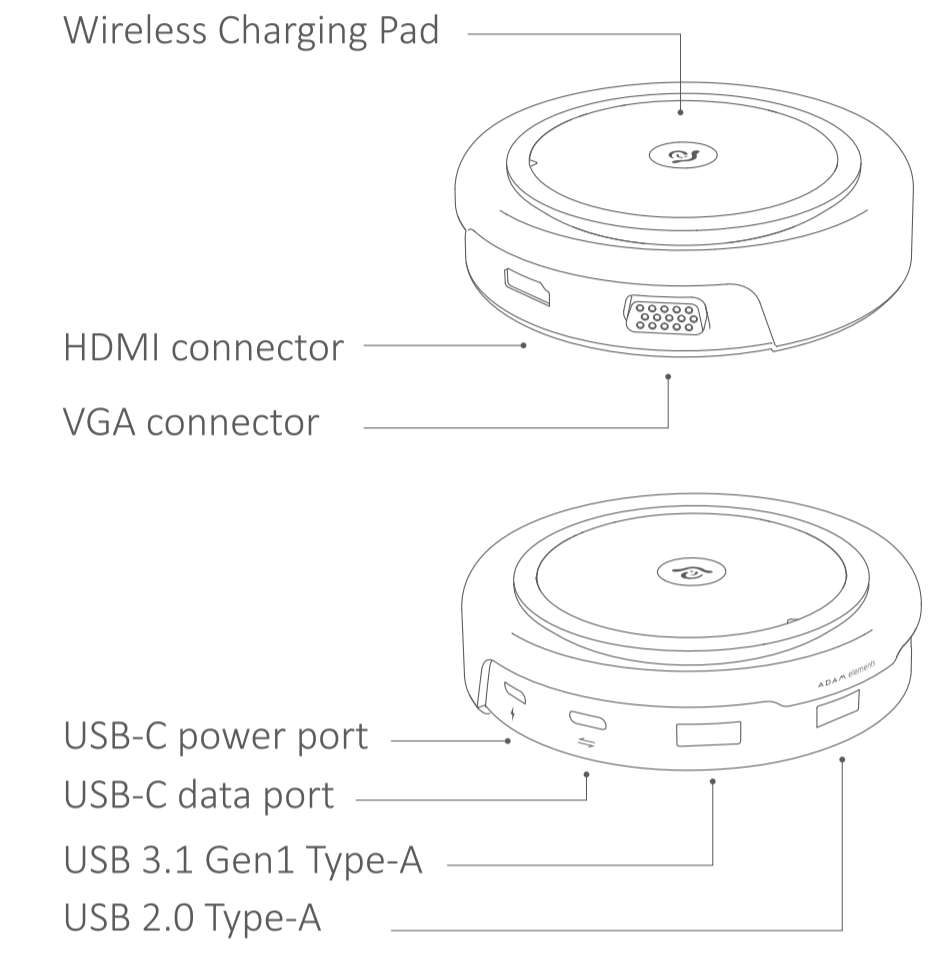
USB 3.1 Gen 1 Type-A Female x1
Transfer Speed: 5Gbps max.
Output Power: 5V ≐ 0.9A max.

USB 2.0 Type-A Female x1
Transfer Speed: 480Mbps max.
Output Power: 5V ≐ 0.9A max.

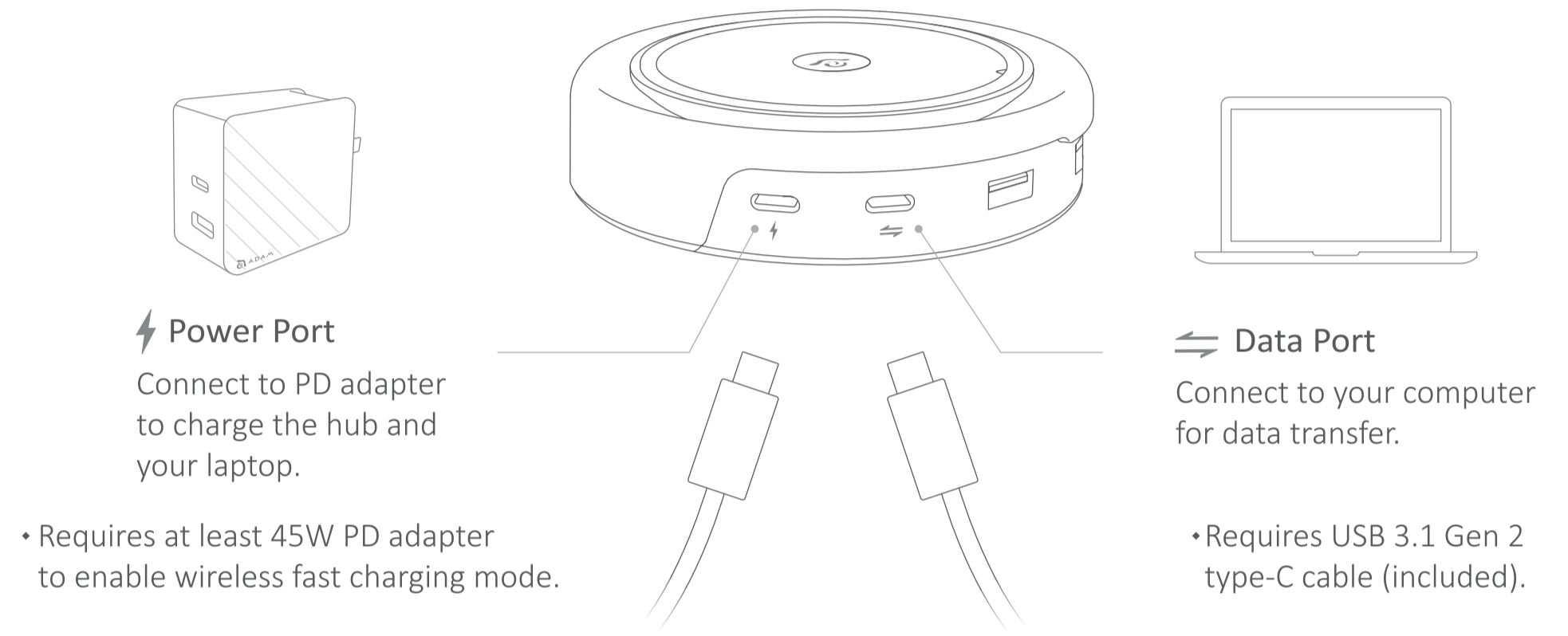
Wireless Charger
Input Interface:
micro USB Female (when not attached to the hub)
Input Power: 5V ≐ 2A / 9V ≐ 2A (QC adapters required)
Output Power: 5V ≐ 1A / 6.25V ≐ 1.2A / 9V ≐ 1.2A
Transmission Distance: ≦ 8mm
Conversion Rate: ≧ 73%
Protection: OCP, OVP, FOD

• Supports 5W Universal Charge and 7.5W / 10W Fast Charge
Requires at least 45W PD adapter to enable wireless fast charging mode when the pad is attached to the hub.

Product Introduction



Instructions of USB-C Ports



FCC STATEMENT

This device complies with part 15 of the FCC Rules. Operation is subject to the following two conditions:
1. this device may not cause harmful interference, and
2. this device must accept any interference received, including interference that may cause undesired operation.

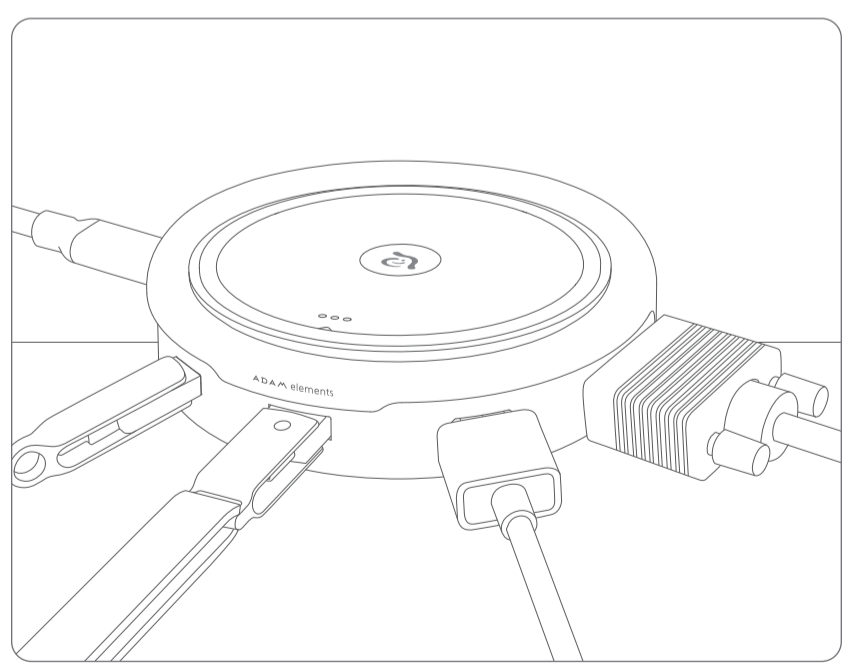
Any changes or modifications not expressly approved by the party responsible for compliance could void the user's authority to operate the equipment.

NOTE:
This equipment has been tested and found to comply with the limits for a Class B digital device, pursuant to Part 15 of the FCC Rules. These limits are designed to provide reasonable protection against harmful interference in a residential installation. This equipment generates, uses and can radiate radio frequency energy and, if not installed and used in accordance with the instructions, may cause harmful interference to radio communications. However, there is no guarantee that interference will not occur in a particular installation. If this equipment does cause harmful interference to radio or television reception, which can be determined by turning the equipment off and on, the user is encouraged to try to correct the interference by one or more of the following measures:

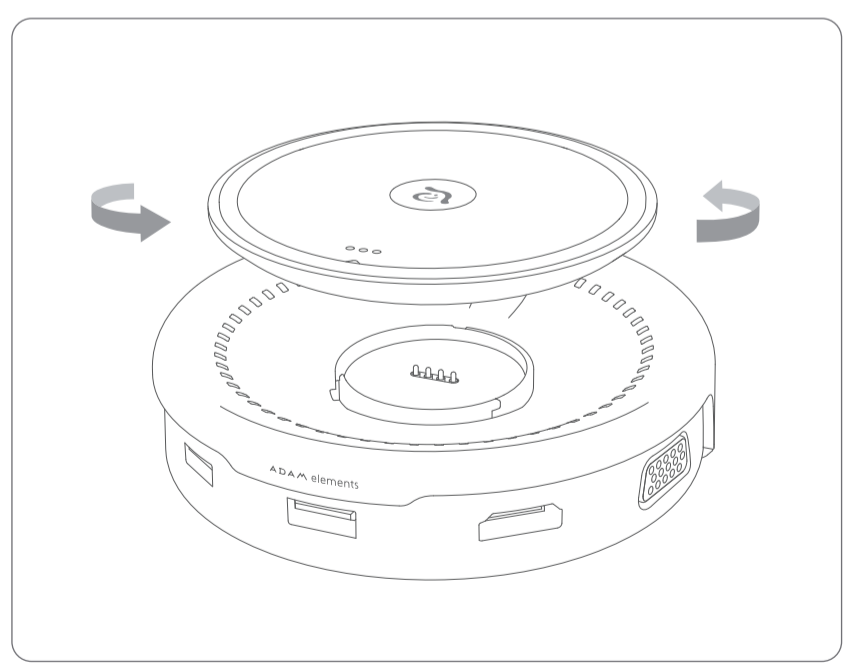
- Reorient or relocate the receiving antenna.
- Increase the separation between the equipment and receiver.
- Connect the equipment into an outlet on a circuit different from that to which the receiver is connected.
- Consult the dealer or an experienced radio/TV technician for help.

To maintain compliance with FCC's RF Exposure guidelines, This equipment should be installed and operated with minimum 20cm distance between the radiator your body: Use only the supplied antenna.

Usage Modes

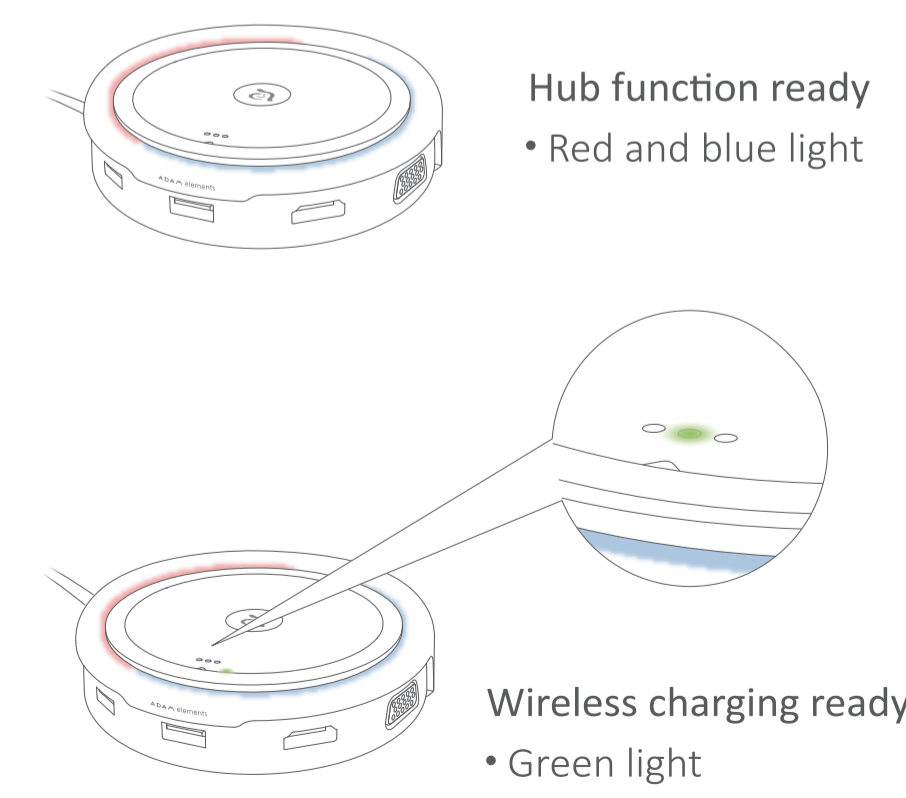


• The hub and wireless charging pad can be used at the same time.

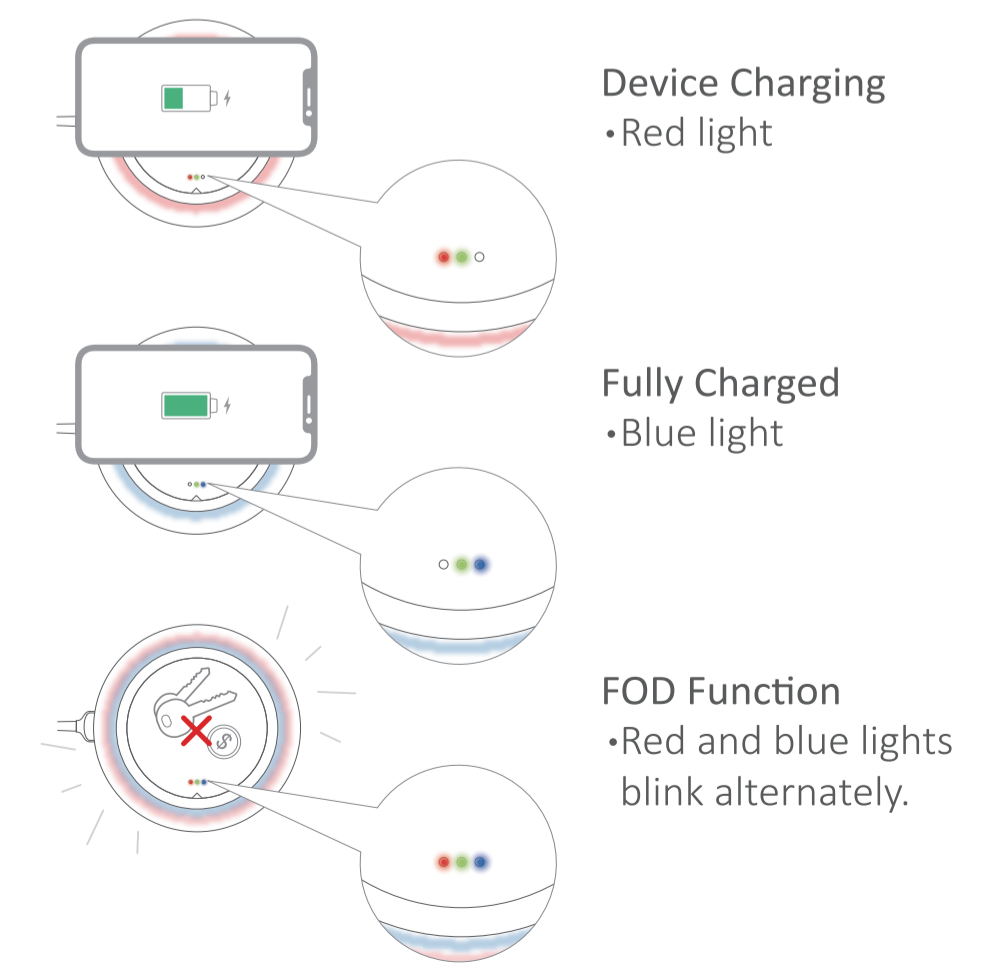


• Turn to detach the wireless charging pad from the hub. They can be used individually.

Standby Light Mode

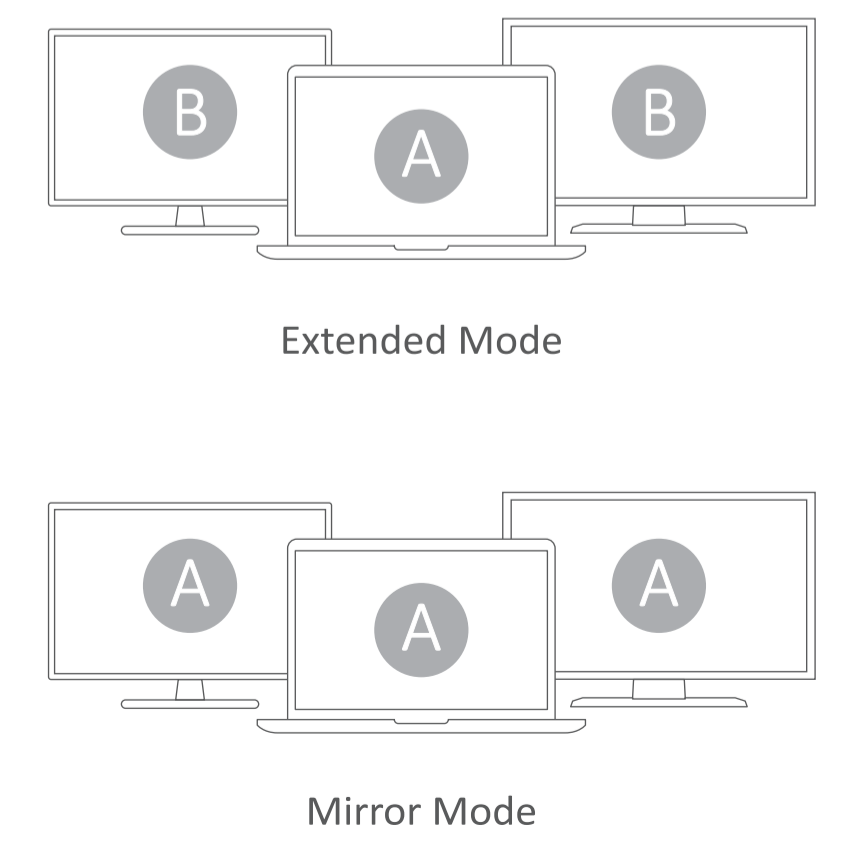


Charging Light Mode

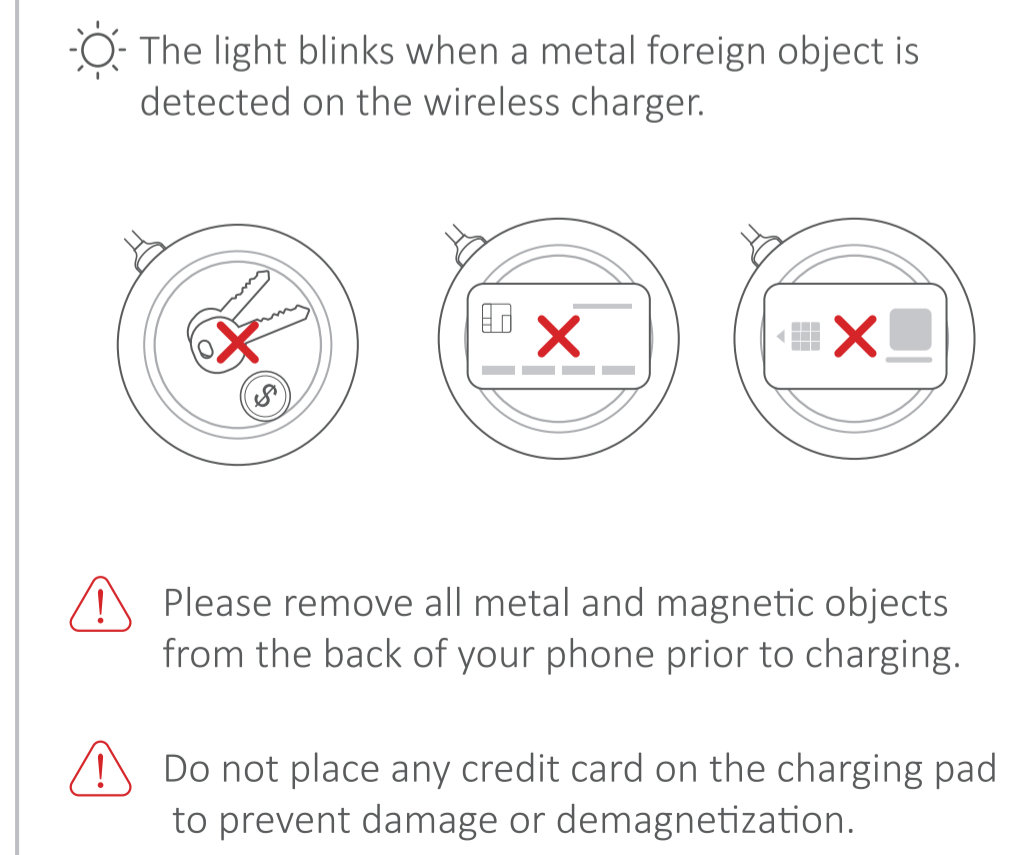


• Same light mode when the wireless charging pad is used individually.

Multi-Display Mode



FOD (Foreign Object Detection)



Caution

- ⚠ To avoid any damage to wireless charger please check the output voltage of the power source is suitable for the charger
- ⚠ Do not use or store in damp, or high temperature environment.
- ⚠ Do not drop or shake.



More information please visit ADAM store