

Andy 刘玉萍 15:41:41



Project: CASA Hub O7
 Prepared by: Neo
 Approved by: Asher
 Date: 2019.05.30
 Unit: mm
 Scale: 1:1
 TOL: ± 0.2mm

CASA Hub O7

Wireless Charging Pad

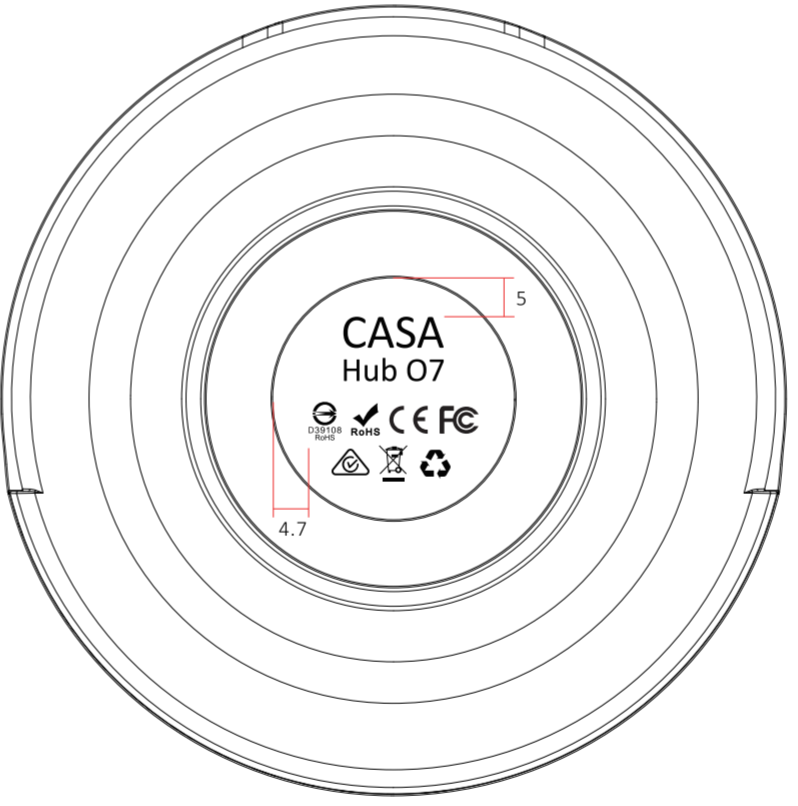
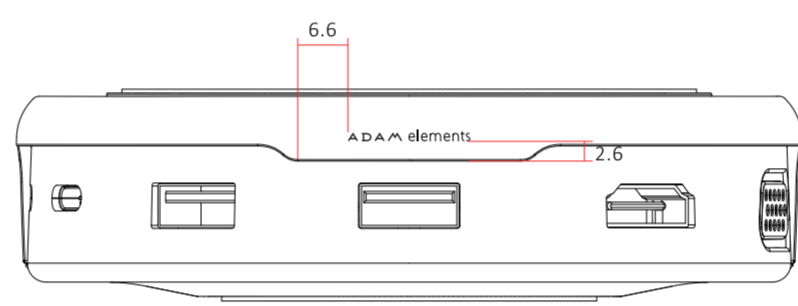
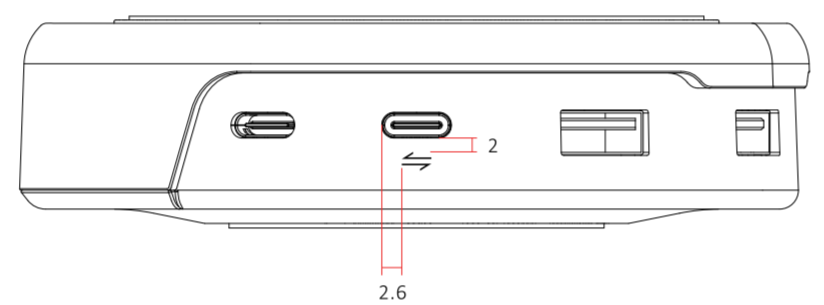
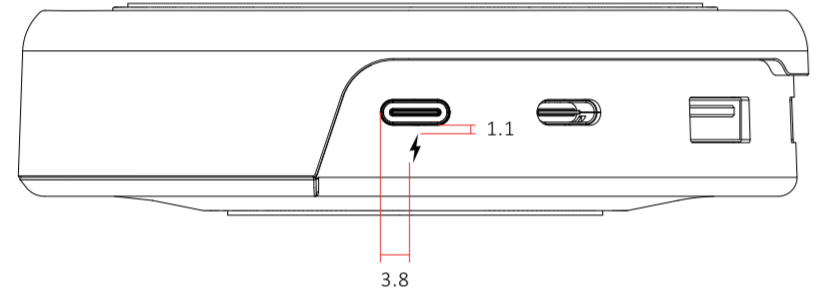
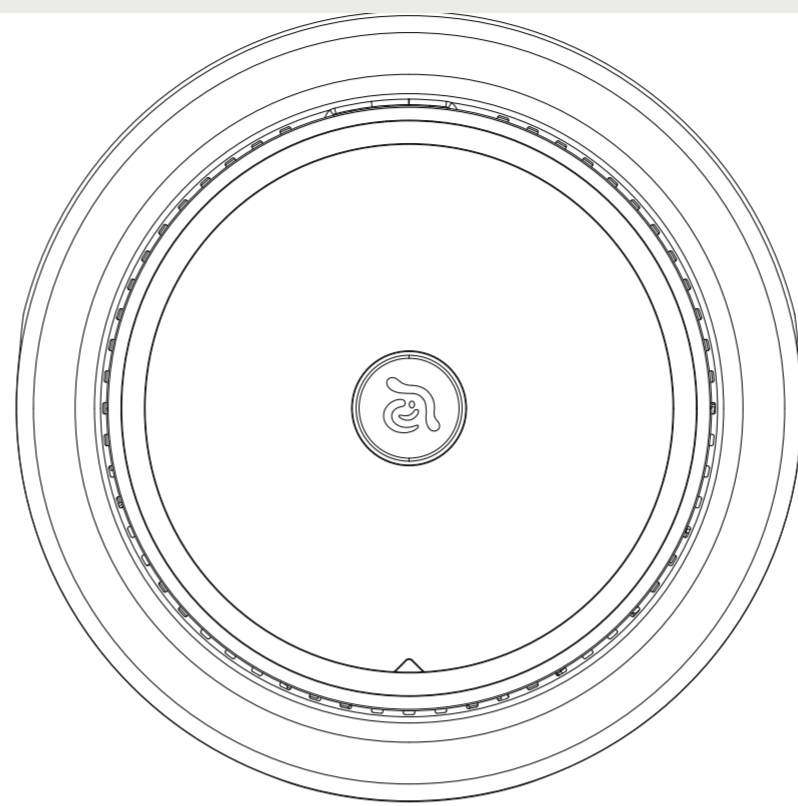
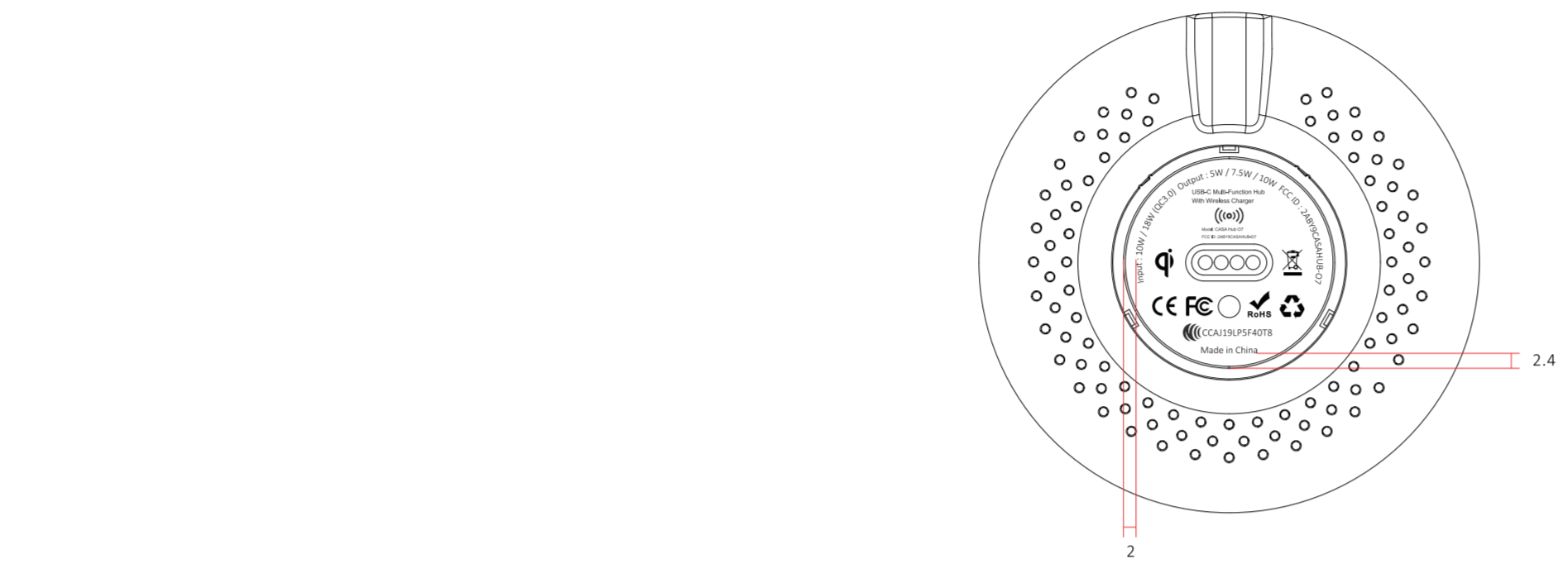
改成 USB-C Multi-Function Hub with Wireless Charger

A

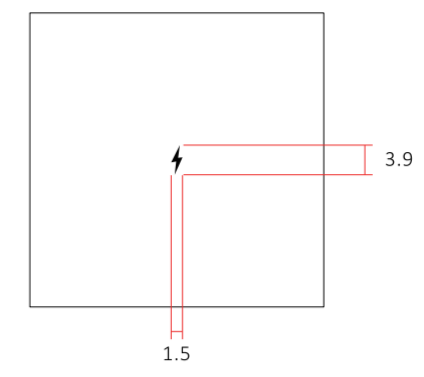
B

C

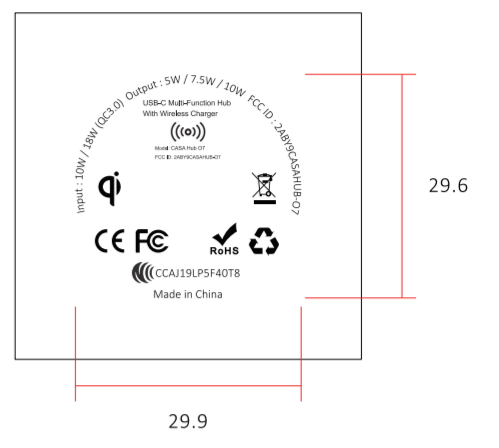
D



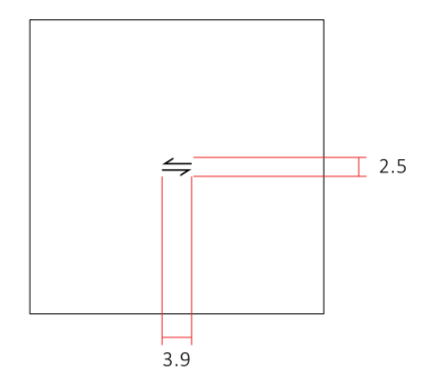
USB-C 电源输入孔雷雕



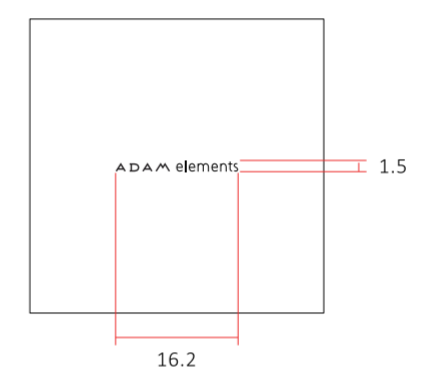
无线充电板底面雷雕



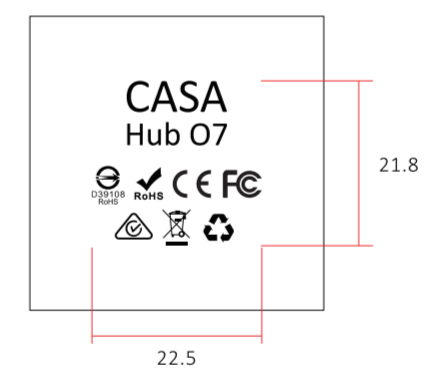
USB-C 资料传输孔雷雕



Hub正面雷雕



Hub底面雷雕



A

B

C

D

GODO 东莞市港大电子有限公司
 DONGGUAN GANGDA ELECTRONIC CO., LTD

NO. 3				ITEM (型号):	NAME (名称):
NO. 2				SCALE (比例): 1:1	VERSION (版本): 1.0
NO. 1	REVISED (变更):		DATE (日期):	DESCRIPTION (产品描述):	
DATE	REV			UNIT (单位): mm	DESIGN (制作):
				APPROVED (审批):	

ANGULAR:

1

2

3

4

5

6