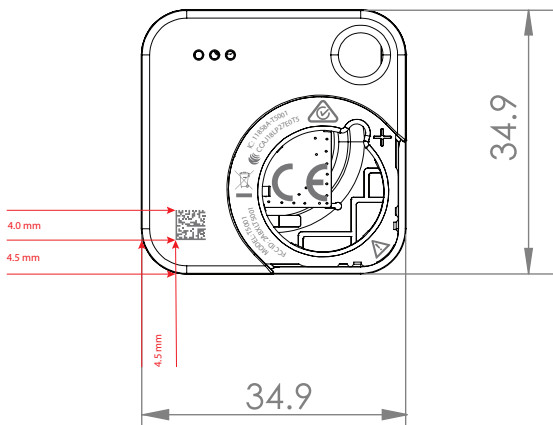


PISMO: MARKINGS on REAR HOUSING

(Tile Model: T5001)

Tolerance for all compliance markings is $\pm 0.5\text{mm}$



PISMO: MARKINGS on REAR HOUSING

(Tile Model: T5001)

