

Digilock®



Model: D6PN-00-0P、 D6PN-00-0B

D6PN-10-0P、 D6PN-10-0B

Product Name: Cabinet lock

FCC Statement

This device complies with Part 15 of the FCC Rules. Operation is subject to the following two conditions:

(1) This device may not cause harmful interference.

(2) This device must accept any interference received, including interference that may cause undesired operation.

2. Changes or modifications not expressly approved by the party responsible for compliance could void the user's authority to operate the equipment.

Note: This equipment has been tested and found to comply with the limits for a class B digital device, pursuant to Part 15 of the FCC Rules. These limits are designed to provide reasonable protection against harmful interference in a residential installation.

This equipment generates uses and can radiate radio frequency energy and, if not installed and used in accordance with the instructions, may cause harmful interference to radio communications. However, there is no guarantee that interference will not occur in a particular installation. If this equipment does cause harmful interference to radio or television reception, which can be determined by turning the equipment off and on, the user is encouraged to try to correct the interference by one or more of the following measures:

- Reorient or relocate the receiving antenna.
- Increase the separation between the equipment and receiver.
- Connect the equipment into an outlet on a circuit different from that to which the receiver is connected.
- Consult the dealer or an experienced radio/TV technician for help.

The device has been evaluated to meet general RF exposure requirement. This equipment should be installed and operated with a minimum distance of 20 cm between the radiator and your body.

ISED Statement

This device contains licence-exempt transmitter(s)/receiver(s) that comply with Innovation, Science and Economic Development Canada's licence-exempt RSS(s). Operation is subject to the following two conditions:

This device may not cause interference.

This device must accept any interference, including interference that may cause undesired operation of the device.

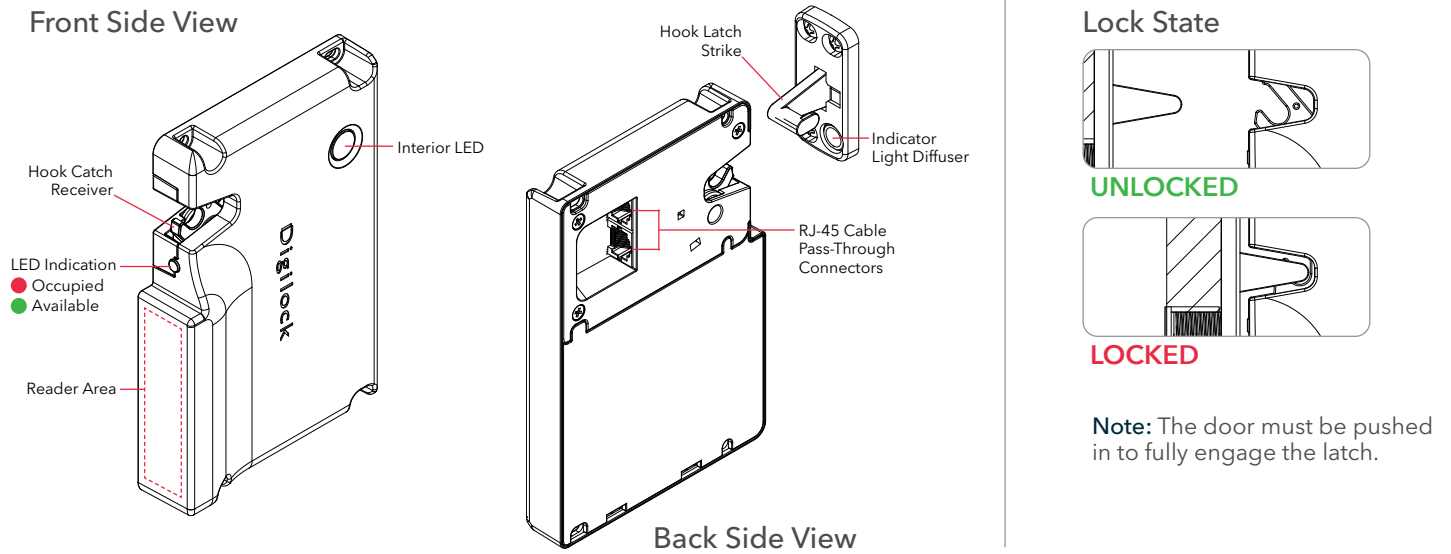
This equipment should be installed and operated with a minimum distance of 20 cm between the radiator and your body

Le présent appareil est conforme aux CNR d'Industrie Canada applicables aux appareils radio exempts de licence. L'exploitation est autorisée aux deux conditions suivantes : (1) l'appareil ne doit pas produire de brouillage, et (2) l'utilisateur de l'appareil doit accepter tout brouillage radioélectrique subi, même si le brouillage est susceptible d'en compromettre le fonctionnement.

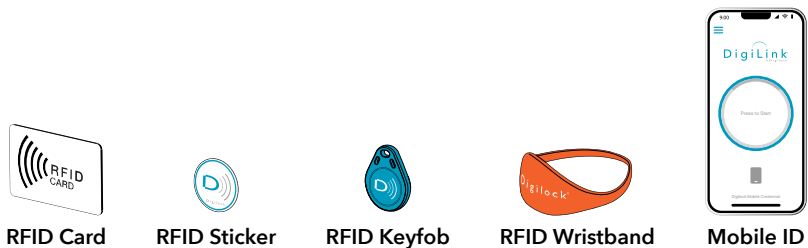
Cet équipement doit être installé et utilisé avec une distance minimale de 20 cm entre le radiateur et votre corps

LOCK OVERVIEW - PIVOT PRO

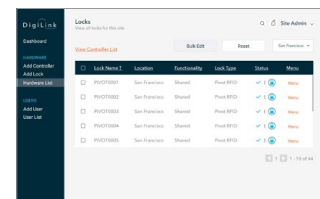
Pivot Pro locks with a touch-free RFID interface are operated by RFID credential or by Mobile ID. The DigiLink® network application simplifies lock management, and admin and manager credentials allow for management access.



Credentials



Management App



Roles & Permissions

Note: System Admins have access to ALL sites. Site Admins and Remote Managers have access to only the sites to which they have been given permissions.

ROLES	PERMISSIONS								
	Create Site	Add Users, Managers, & Locks	Disable Users & Locks	Assign Locks to Users	Edit Users & Locks	Access Dashboard & Reports	Remote Unlock	Override Locks in Person	Operate Locks
System Admin	✓	✓	✓	✓	✓	✓	✓	✓	✓
Site Admin		✓	✓	✓	✓	✓	✓	✓	✓
Remote Manager						✓	✓	✓†	✓
Local Manager								✓†	✓
User									✓

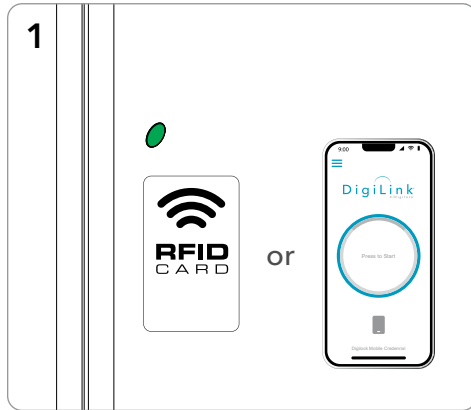
† Managers must be assigned to the locks to override.

SHARED USE - PIVOT PRO OPERATING INSTRUCTIONS

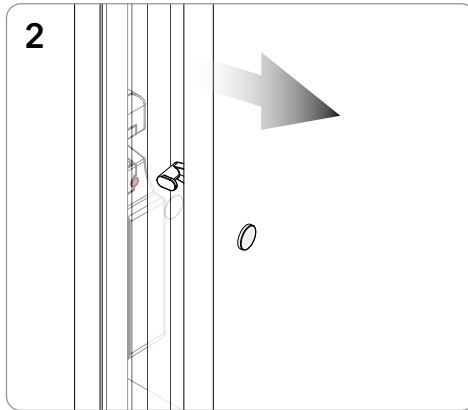
In shared use functionality, the locks are available when they have a green LED, and any user can use the available lock. A lock is operated by presenting any compatible RFID or Mobile ID credential. Once occupied, the lock will have a red LED. A credential from that same user must be used to unlock the lock. Once vacated and the door is secured, the lock is available for a different user and will display a green LED.

Operate with a User RFID or Mobile ID Credential

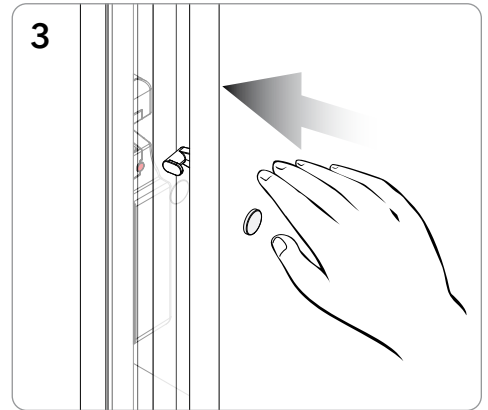
TO OCCUPY



1 Present any user RFID or Mobile ID credential at the lock.

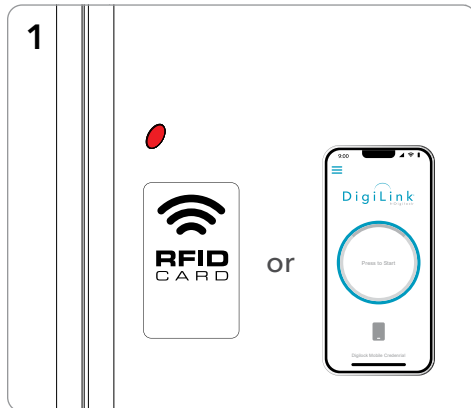


2 The door will disengage, and the LED will turn red.

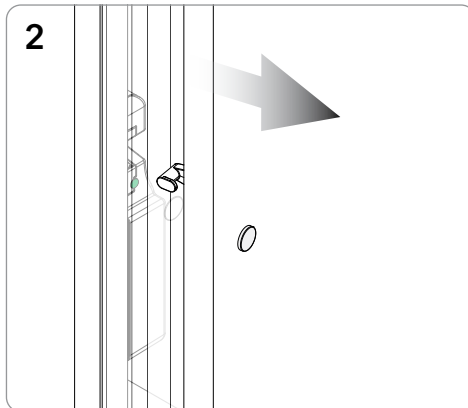


3 To secure, firmly push the door shut until it clicks into place.

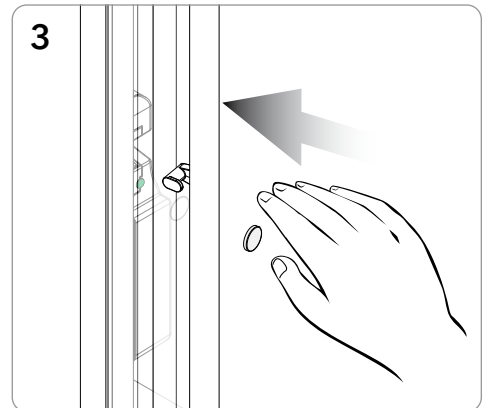
TO VACATE



1 Present the same user RFID or Mobile ID credential.



2 The door will disengage, and the LED will turn green.



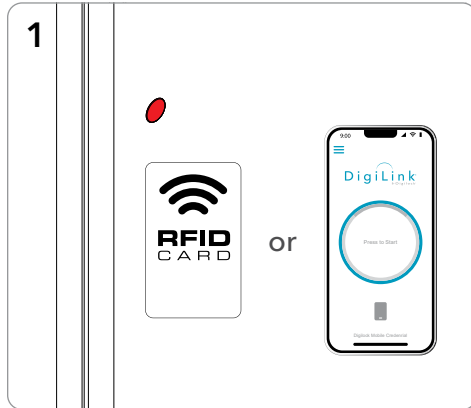
3 To secure, firmly push the door shut until it clicks into place. The lock is now available for another user.

ASSIGNED USE - PIVOT PRO OPERATING INSTRUCTIONS

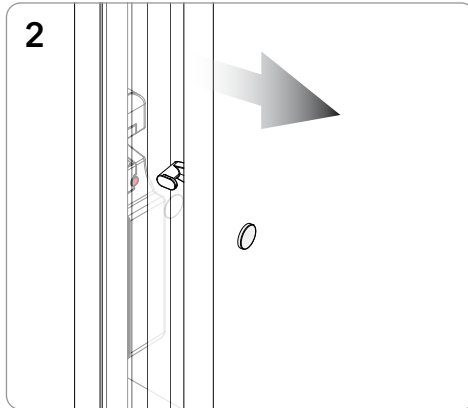
In assigned use functionality, the locks will always have a red LED. In this functionality, the user(s) must be assigned to the lock(s). The user presents an assigned user credential to operate the lock.

Operate with an Assigned RFID or Mobile ID Credential

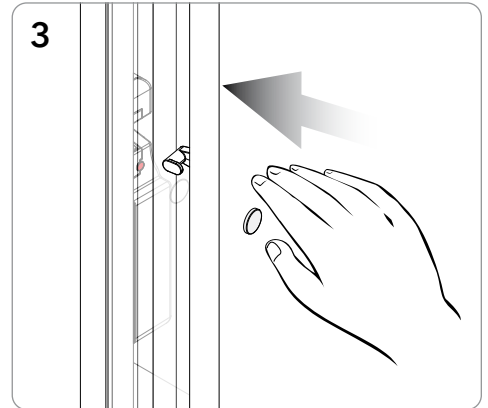
TO OCCUPY



1 Present an assigned user RFID or Mobile ID credential.

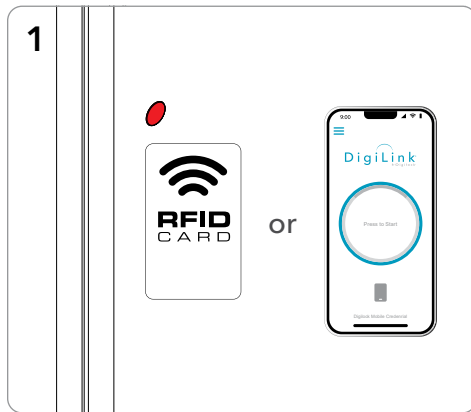


2 The door will disengage and the LED will remain red.

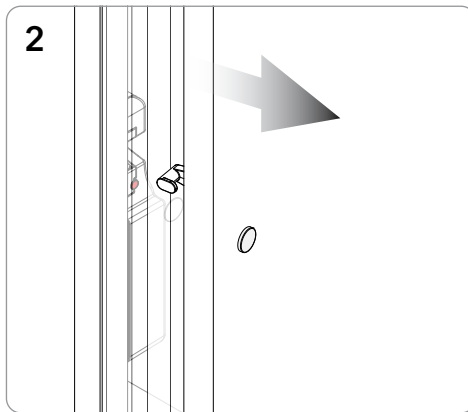


3 To secure, firmly push the door shut until it clicks into place.

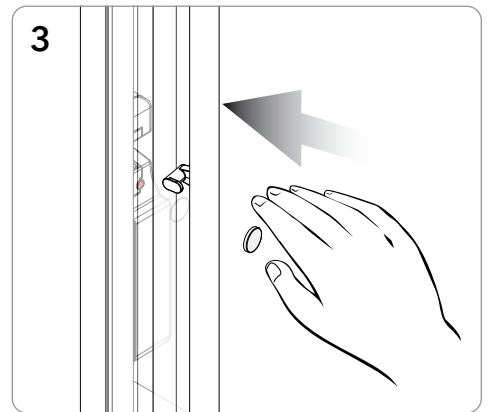
TO VACATE



1 Present an assigned user RFID or Mobile ID credential.



2 The door will disengage, and the LED will remain red.



3 To secure, firmly push the door shut until it clicks into place.

CONTACT INFORMATION

For inquiries regarding new products, please contact our sales department: 707 766 6000 | sales@digilock.com

For replacement products, returns, or technical support, please contact our support department: 707 766 6000 | support@digilock.com