

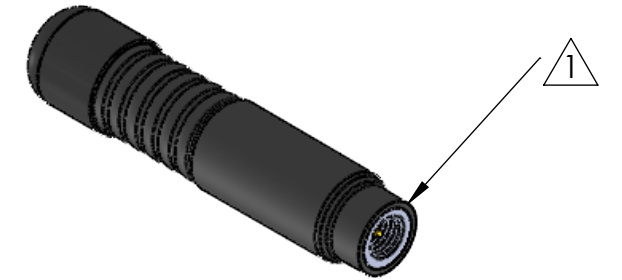
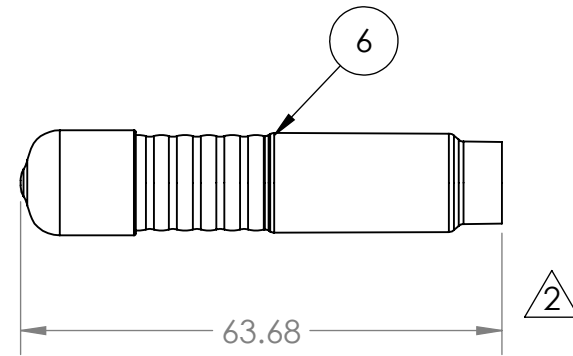
4

3

2

1

REVISIONS				
ZONE	REV.	DESCRIPTION	DATE	APPROVED
	A	INITIAL DESIGN RELEASE	6/1/2022	L. SALINE
	B	MANUFACTURING DATA REMOVED	2/20/2023	L. SALINE



NOTE:

△1. MUST BE MANUFACTURED TO STANDARD MALE SMA CONNECTOR DIMENSIONS. ②

MECHANICAL

ANTENNA COVER : NT-MIL Raychem RW3030 1/2IN HEAT SHRINK OR EQUIVALENT; MUST MEET AMS-DTL-23053/1, Cl. 1 and 2  
OPERATION TEMPERATURE : -20°C ~ +65°C  
STORAGE TEMPERATURE : -30°C ~ +75°C

ELECTRICAL

Frequency : 460~470MHz, when measured on a goTenna ProX radio, with belt clip and Ground Plane Extension in place.  
IMPEDANCE : 50 OHM  
RADIATION : OMNI  
POLARIZATION : LINEAR  
GAIN : +5.15 dBi

△2. THE OVERALL LENGTH CAN VARY DEPENDING ON ANTENNA TUNING

UNLESS OTHERWISE SPECIFIED DIMENSIONS ARE IN MM  
**TOLERANCES: Refer to ISO2768-m for any other dimensions**  
Size Range: 0.1 up to 3mm ± 0.1  
3 up to 6mm ± 0.1  
6 up to 30mm ± 0.2  
30 up to 120mm ± 0.3  
Angular: ± 1.5°  
DO NOT SCALE DRAWING

PROJECT	
PRO X2	
DRAWN	L. SALINE
CHECKED	L. SALINE
ENG APPR.	K. KARREN
MFG APPR.	
DATE	6/1/2022
DATE	6/1/2022
DATE	6/1/2022
Q.A.	

**goTenna, Inc.**

81 Willoughby Street 4TH Floor  
Brooklyn NY, 11201

**Compact UHF  
Antenna**

**PROPRIETARY AND CONFIDENTIAL**  
THE INFORMATION CONTAINED IN THIS DRAWING IS THE SOLE PROPERTY OF GOTENNA. ANY REPRODUCTION IN PART OR AS A WHOLE WITHOUT THE WRITTEN PERMISSION OF GOTENNA IS PROHIBITED.  
INTERPRET GEOMETRIC TOLERANCING PER: **ASME Y14.5-2009**  
MATERIAL:  
FINISH:

COMMENTS:  
-

SIZE	DWG. NO.	REV
<b>B</b>	<b>160-00209</b>	<b>B</b>
SCALE: 1:1	SHEET 1 OF 1	

4

3

2

1