

#01_WCDMA II_RMC 12.2Kbps_Edge 1_0mm_Ch9400

Communication System: WCDMA; Frequency: 1880 MHz; Duty Cycle: 1:1

Medium: MSL_1900_181022 Medium parameters used: $f = 1880$ MHz; $\sigma = 1.55$ S/m; $\epsilon_r = 52.586$; $\rho = 1000$ kg/m³

Ambient Temperature : 23.2 °C ; Liquid Temperature : 22.2 °C

DASY5 Configuration:

- Probe: EX3DV4 - SN3925; ConvF(8.07, 8.07, 8.07) ; Calibrated: 2018/5/31
- Sensor-Surface: 1.4mm (Mechanical Surface Detection)
- Electronics: DAE4 Sn1326; Calibrated: 2018/9/18
- Phantom: ELI v4.0; Type: QDOVA001BB; Serial: 1026
- Measurement SW: DASY52, Version 52.10 (1); SEMCAD X Version 14.6.11 (7439)

Area Scan (41x81x1): Interpolated grid: dx=1.500 mm, dy=1.500 mm

Maximum value of SAR (interpolated) = 1.52 W/kg

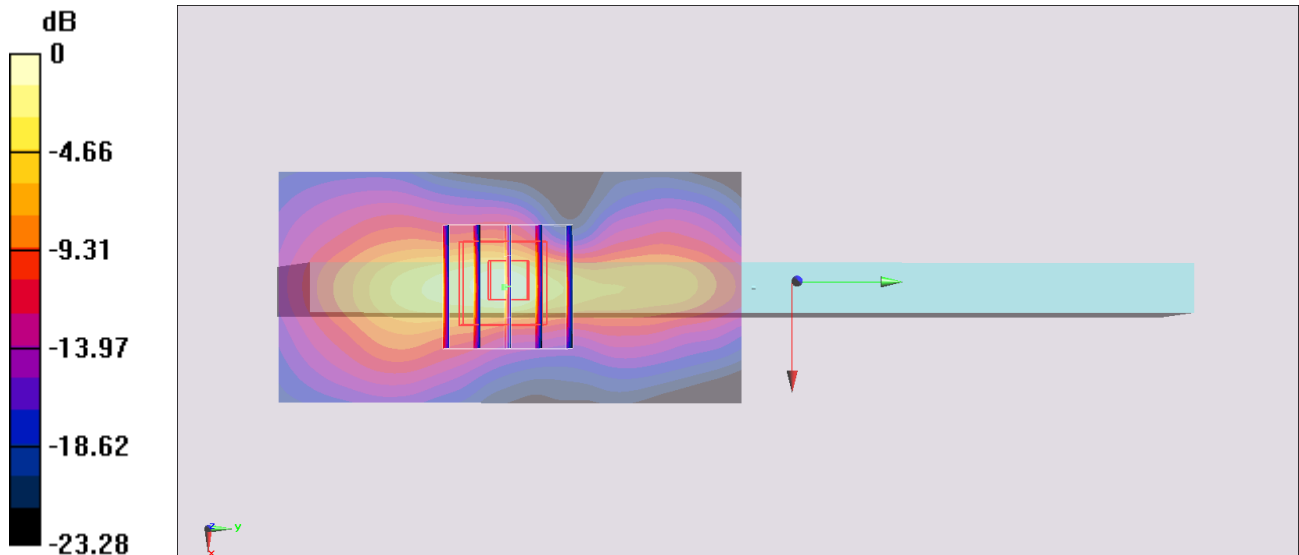
Zoom Scan (5x5x7)/Cube 0: Measurement grid: dx=8mm, dy=8mm, dz=5mm

Reference Value = 32.43 V/m; Power Drift = 0.05 dB

Peak SAR (extrapolated) = 1.89 W/kg

SAR(1 g) = 0.962 W/kg; SAR(10 g) = 0.356 W/kg

Maximum value of SAR (measured) = 1.44 W/kg



0 dB = 1.44 W/kg = 1.58 dBW/kg

#02_WCDMA IV_RMC 12.2Kbps_Bottom Face_0mm_Ch1413

Communication System: WCDMA; Frequency: 1732.6 MHz; Duty Cycle: 1:1

Medium: MSL_1750_181022 Medium parameters used: $f = 1733$ MHz; $\sigma = 1.499$ S/m; $\epsilon_r = 54.116$; $\rho = 1000$ kg/m³

Ambient Temperature : 23.2 °C; Liquid Temperature : 22.2 °C

DASY5 Configuration:

- Probe: EX3DV4 - SN3925; ConvF(8.47, 8.47, 8.47) ; Calibrated: 2018/5/31
- Sensor-Surface: 1.4mm (Mechanical Surface Detection)
- Electronics: DAE4 Sn1326; Calibrated: 2018/9/18
- Phantom: ELI v4.0; Type: QDOVA001BB; Serial: 1026
- Measurement SW: DASY52, Version 52.10 (1); SEMCAD X Version 14.6.11 (7439)

Area Scan (41x71x1): Interpolated grid: dx=1.500 mm, dy=1.500 mm

Maximum value of SAR (interpolated) = 1.58 W/kg

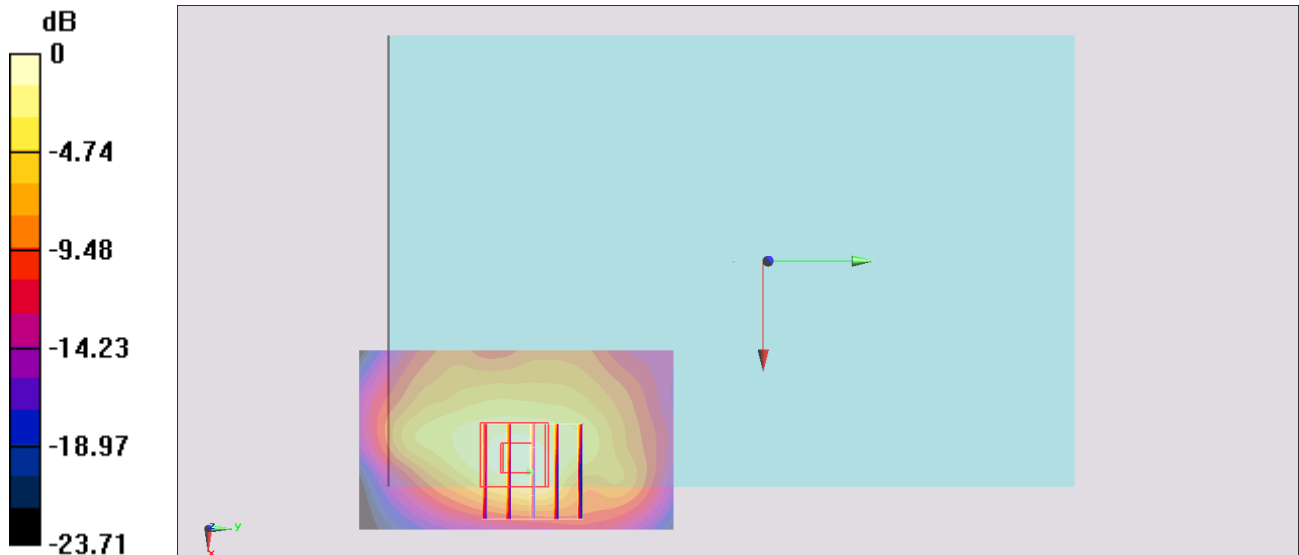
Zoom Scan (5x5x7)/Cube 0: Measurement grid: dx=8mm, dy=8mm, dz=5mm

Reference Value = 26.45 V/m; Power Drift = -0.09 dB

Peak SAR (extrapolated) = 2.10 W/kg

SAR(1 g) = 0.952 W/kg; SAR(10 g) = 0.508 W/kg

Maximum value of SAR (measured) = 1.55 W/kg



0 dB = 1.55 W/kg = 1.90 dBW/kg

#03_WCDMA V_RMC 12.2Kbps_Bottom Face_0mm_Ch4132

Communication System: WCDMA; Frequency: 826.4 MHz; Duty Cycle: 1:1

Medium: MSL_850_181017 Medium parameters used: $f = 826.4$ MHz; $\sigma = 0.969$ S/m; $\epsilon_r = 55.249$; $\rho = 1000$ kg/m³

Ambient Temperature : 23.7 °C ; Liquid Temperature : 22.7 °C

DASY5 Configuration:

- Probe: EX3DV4 - SN3925; ConvF(10.08, 10.08, 10.08) ; Calibrated: 2018/5/31
- Sensor-Surface: 1.4mm (Mechanical Surface Detection)
- Electronics: DAE4 Sn1326; Calibrated: 2018/9/18
- Phantom: ELI v4.0; Type: QDOVA001BB; Serial: 1026
- Measurement SW: DASY52, Version 52.10 (1); SEMCAD X Version 14.6.11 (7439)

Area Scan (41x71x1): Interpolated grid: dx=1.500 mm, dy=1.500 mm

Maximum value of SAR (interpolated) = 1.31 W/kg

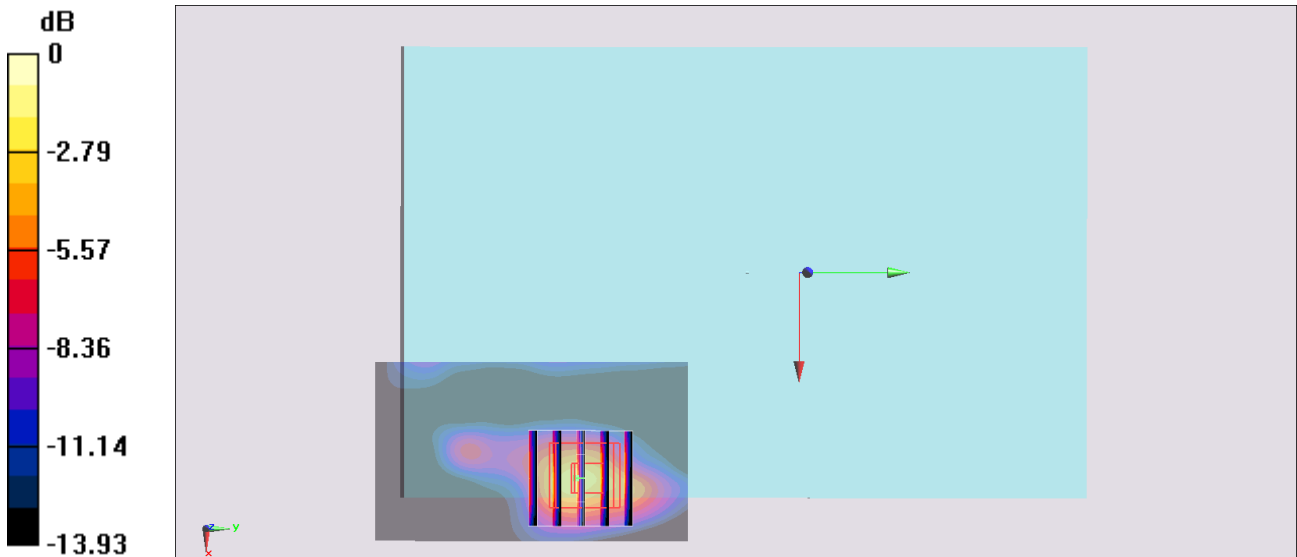
Zoom Scan (5x5x7)/Cube 0: Measurement grid: dx=8mm, dy=8mm, dz=5mm

Reference Value = 17.71 V/m; Power Drift = 0.03 dB

Peak SAR (extrapolated) = 2.55 W/kg

SAR(1 g) = 1.05 W/kg; SAR(10 g) = 0.517 W/kg

Maximum value of SAR (measured) = 2.07 W/kg



0 dB = 2.07 W/kg = 3.16 dBW/kg

#04_LTE Band 7_20M_QPSK_1_0_Edge 1_0mm_Ch21350

Communication System: LTE; Frequency: 2560 MHz; Duty Cycle: 1:1

Medium: MSL_2600_181018 Medium parameters used: $f = 2560$ MHz; $\sigma = 2.125$ S/m; $\epsilon_r = 53.095$; $\rho = 1000$ kg/m³

Ambient Temperature : 23.8 °C ; Liquid Temperature : 22.8 °C

DASY5 Configuration:

- Probe: EX3DV4 - SN3925; ConvF(7.59, 7.59, 7.59) ; Calibrated: 2018/5/31
- Sensor-Surface: 1.4mm (Mechanical Surface Detection)
- Electronics: DAE4 Sn1326; Calibrated: 2018/9/18
- Phantom: ELI v5.0; Type: QDOVA002AA; Serial: 1131
- Measurement SW: DASY52, Version 52.10 (1); SEMCAD X Version 14.6.11 (7439)

Area Scan (51x81x1): Interpolated grid: dx=1.200 mm, dy=1.200 mm

Maximum value of SAR (interpolated) = 1.94 W/kg

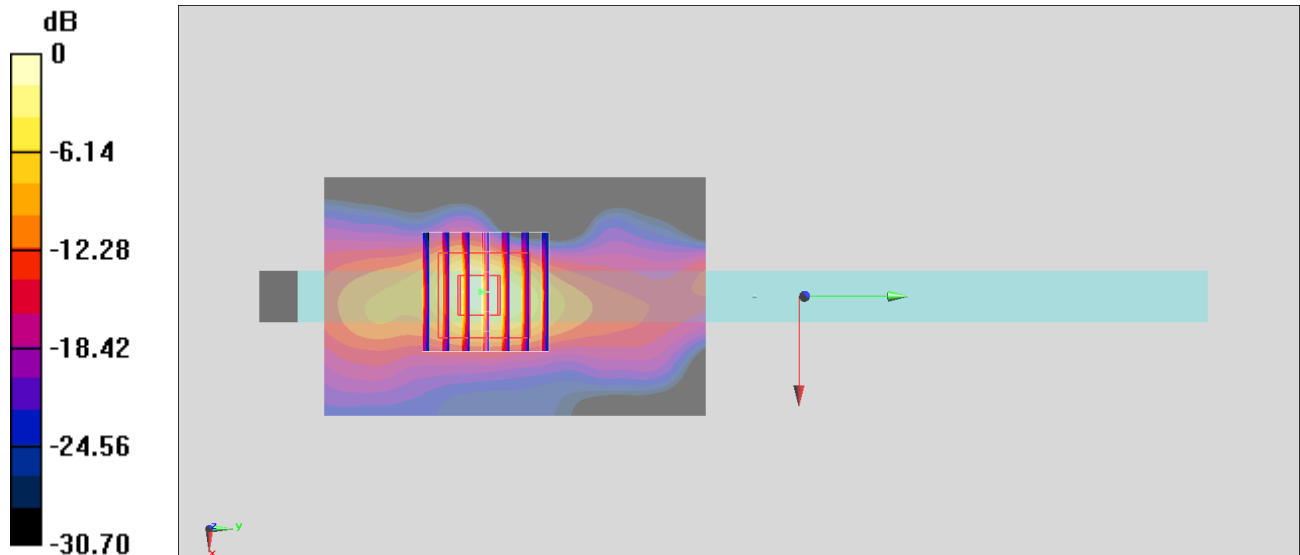
Zoom Scan (7x7x7)/Cube 0: Measurement grid: dx=5mm, dy=5mm, dz=5mm

Reference Value = 24.29 V/m; Power Drift = -0.19 dB

Peak SAR (extrapolated) = 2.36 W/kg

SAR(1 g) = 0.875 W/kg; SAR(10 g) = 0.303 W/kg

Maximum value of SAR (measured) = 1.76 W/kg



0 dB = 1.76 W/kg = 2.46 dBW/kg

#05_LTE Band 12_10M_QPSK_1_49_Bottom Face_0mm_Ch23095

Communication System: LTE; Frequency: 707.5 MHz; Duty Cycle: 1:1

Medium: MSL_750_181016 Medium parameters used: $f = 707.5$ MHz; $\sigma = 0.917$ S/m; $\epsilon_r = 54.476$; $\rho = 1000$ kg/m³

Ambient Temperature : 23.6 °C ; Liquid Temperature : 22.6 °C

DASY5 Configuration:

- Probe: EX3DV4 - SN3925; ConvF(10.39, 10.39, 10.39) ; Calibrated: 2018/5/31
- Sensor-Surface: 1.4mm (Mechanical Surface Detection)
- Electronics: DAE4 Sn1326; Calibrated: 2018/9/18
- Phantom: ELI v4.0; Type: QDOVA001BB; Serial: 1026
- Measurement SW: DASY52, Version 52.10 (1); SEMCAD X Version 14.6.11 (7439)

Area Scan (41x71x1): Interpolated grid: dx=1.500 mm, dy=1.500 mm

Maximum value of SAR (interpolated) = 1.13 W/kg

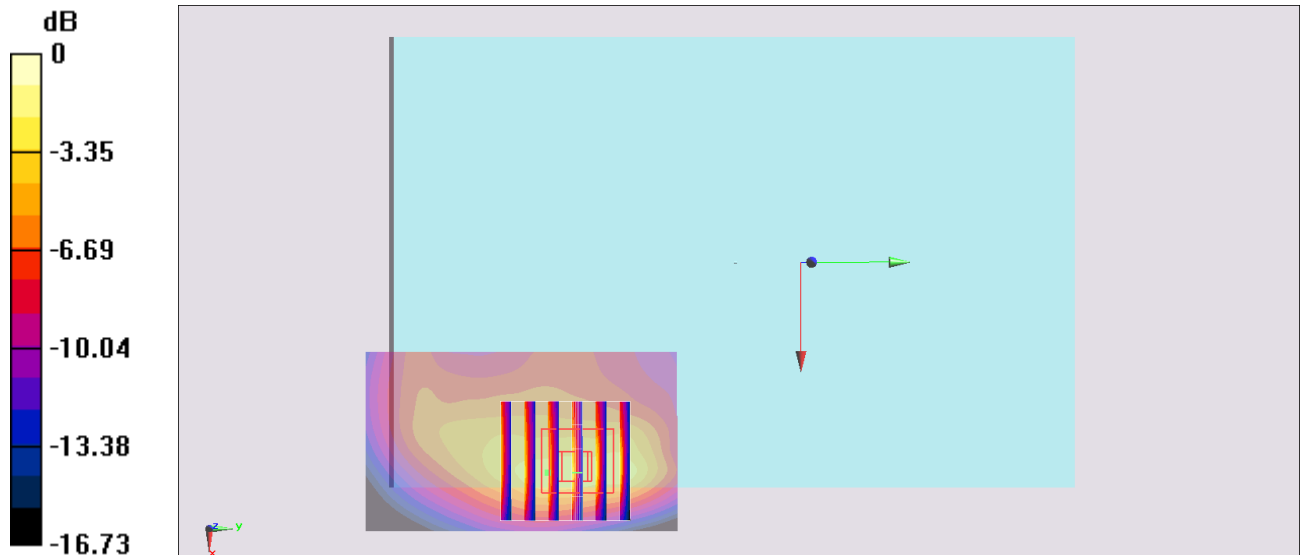
Zoom Scan (6x6x7)/Cube 0: Measurement grid: dx=8mm, dy=8mm, dz=5mm

Reference Value = 21.79 V/m; Power Drift = -0.19 dB

Peak SAR (extrapolated) = 2.49 W/kg

SAR(1 g) = 1.05 W/kg; SAR(10 g) = 0.537 W/kg

Maximum value of SAR (measured) = 1.90 W/kg



0 dB = 1.90 W/kg = 2.79 dBW/kg

#06_LTE Band 13_10M_QPSK_1_0_Bottom Face_0mm_Ch23230

Communication System: LTE; Frequency: 782 MHz; Duty Cycle: 1:1

Medium: MSL_750_181016 Medium parameters used: $f = 782 \text{ MHz}$; $\sigma = 0.988 \text{ S/m}$; $\epsilon_r = 53.682$; $\rho = 1000 \text{ kg/m}^3$

Ambient Temperature : $23.6 \text{ }^\circ\text{C}$; Liquid Temperature : $22.6 \text{ }^\circ\text{C}$

DASY5 Configuration:

- Probe: EX3DV4 - SN3925; ConvF(10.39, 10.39, 10.39) ; Calibrated: 2018/5/31
- Sensor-Surface: 1.4mm (Mechanical Surface Detection)
- Electronics: DAE4 Sn1326; Calibrated: 2018/9/18
- Phantom: ELI v4.0; Type: QDOVA001BB; Serial: 1026
- Measurement SW: DASY52, Version 52.10 (1); SEMCAD X Version 14.6.11 (7439)

Area Scan (41x71x1): Interpolated grid: $dx=1.500 \text{ mm}$, $dy=1.500 \text{ mm}$

Maximum value of SAR (interpolated) = 1.36 W/kg

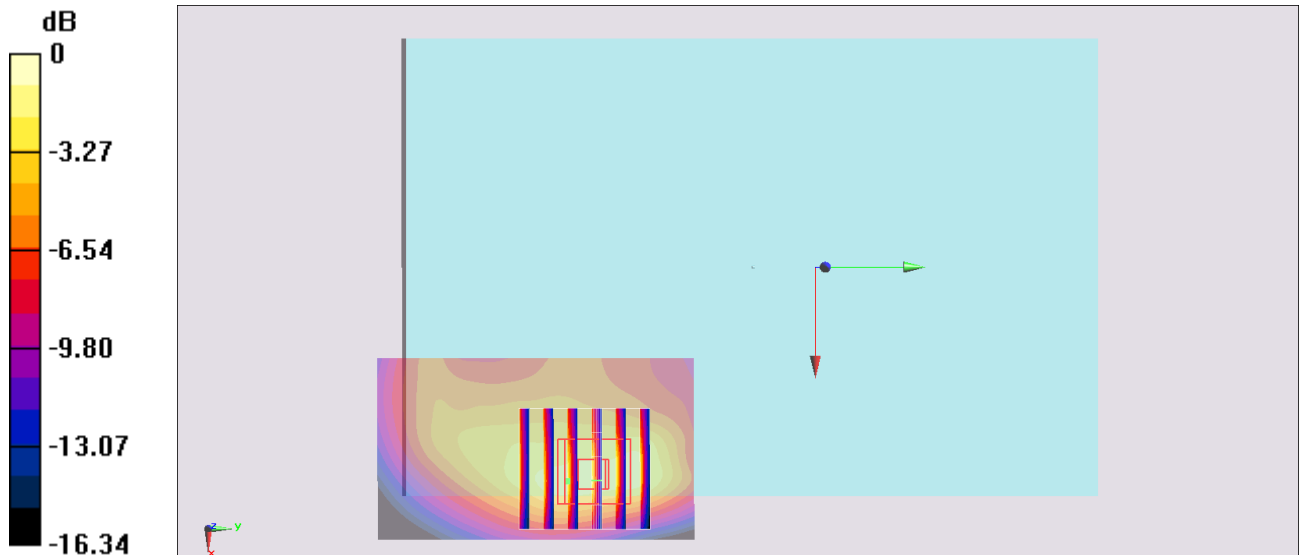
Zoom Scan (6x6x7)/Cube 0: Measurement grid: $dx=8\text{mm}$, $dy=8\text{mm}$, $dz=5\text{mm}$

Reference Value = 23.90 V/m ; Power Drift = -0.01 dB

Peak SAR (extrapolated) = 2.37 W/kg

SAR(1 g) = 1.08 W/kg ; SAR(10 g) = 0.549 W/kg

Maximum value of SAR (measured) = 1.81 W/kg



$0 \text{ dB} = 1.81 \text{ W/kg} = 2.58 \text{ dBW/kg}$

#07_LTE Band 25_20M_QPSK_1_99_Edge 1_0mm_Ch26590

Communication System: LTE; Frequency: 1905 MHz; Duty Cycle: 1:1

Medium: MSL_1900_181019 Medium parameters used: $f = 1905$ MHz; $\sigma = 1.523$ S/m; $\epsilon_r = 53.476$; $\rho = 1000$ kg/m³

Ambient Temperature : 23.4 °C ; Liquid Temperature : 22.4 °C

DASY5 Configuration:

- Probe: EX3DV4 - SN3925; ConvF(8.07, 8.07, 8.07) ; Calibrated: 2018/5/31
- Sensor-Surface: 1.4mm (Mechanical Surface Detection)
- Electronics: DAE4 Sn1326; Calibrated: 2018/9/18
- Phantom: ELI v4.0; Type: QDOVA001BB; Serial: 1026
- Measurement SW: DASY52, Version 52.10 (1); SEMCAD X Version 14.6.11 (7439)

Area Scan (41x81x1): Interpolated grid: dx=1.500 mm, dy=1.500 mm

Maximum value of SAR (interpolated) = 2.05 W/kg

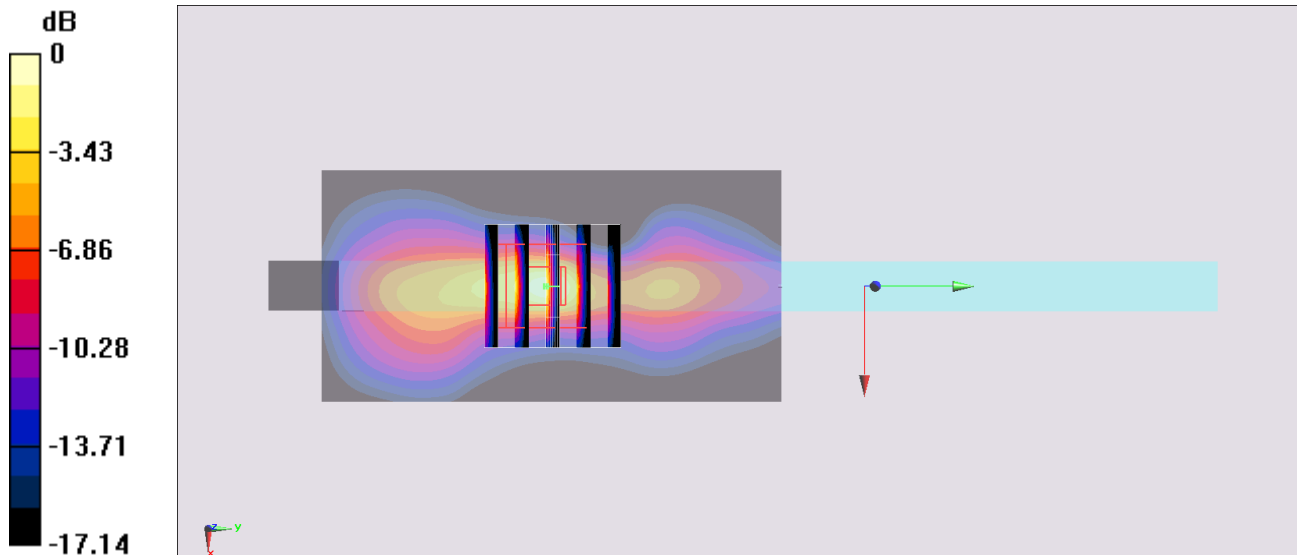
Zoom Scan (5x5x7)/Cube 0: Measurement grid: dx=8mm, dy=8mm, dz=5mm

Reference Value = 40.43 V/m; Power Drift = -0.09 dB

Peak SAR (extrapolated) = 2.78 W/kg

SAR(1 g) = 1.11 W/kg; SAR(10 g) = 0.426 W/kg

Maximum value of SAR (measured) = 2.23 W/kg



0 dB = 2.23 W/kg = 3.48 dBW/kg

#08_LTE Band 26_15M_QPSK_1_37_Bottom Face_0mm_Ch26865

Communication System: LTE; Frequency: 831.5 MHz; Duty Cycle: 1:1

Medium: MSL_850_181016 Medium parameters used: $f = 831.5$ MHz; $\sigma = 0.986$ S/m; $\epsilon_r = 57.22$; $\rho = 1000$ kg/m³

Ambient Temperature : 23.6 °C ; Liquid Temperature : 22.6 °C

DASY5 Configuration:

- Probe: EX3DV4 - SN3925; ConvF(10.08, 10.08, 10.08) ; Calibrated: 2018/5/31
- Sensor-Surface: 1.4mm (Mechanical Surface Detection)
- Electronics: DAE4 Sn1326; Calibrated: 2018/9/18
- Phantom: ELI v4.0; Type: QDOVA001BB; Serial: 1026
- Measurement SW: DASY52, Version 52.10 (1); SEMCAD X Version 14.6.11 (7439)

Area Scan (41x71x1): Interpolated grid: dx=1.500 mm, dy=1.500 mm

Maximum value of SAR (interpolated) = 1.20 W/kg

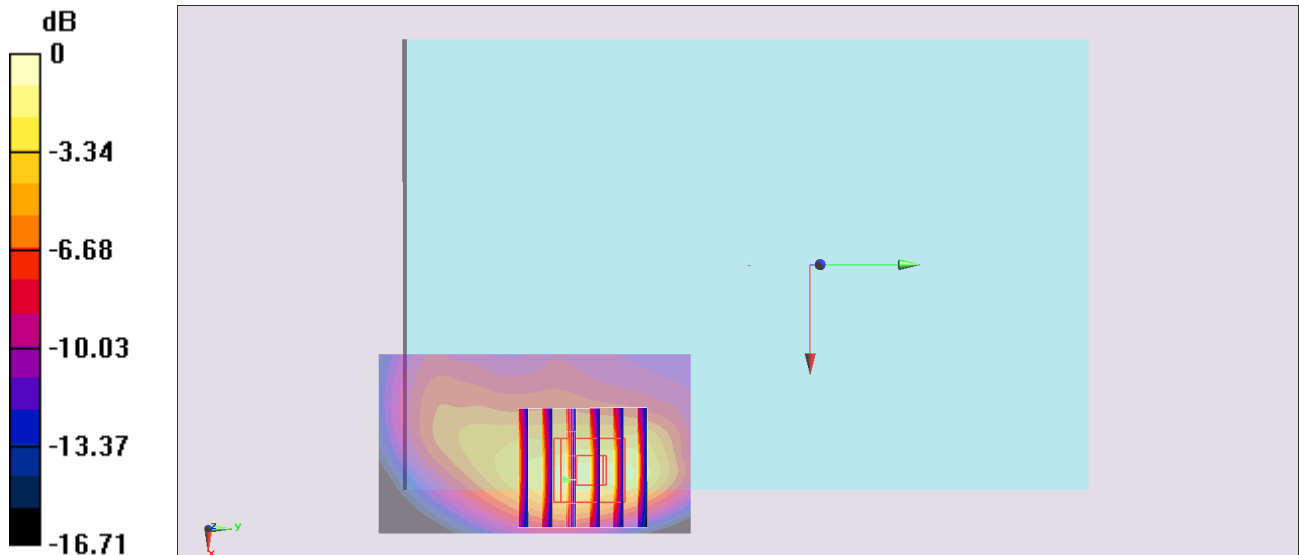
Zoom Scan (6x6x7)/Cube 0: Measurement grid: dx=8mm, dy=8mm, dz=5mm

Reference Value = 25.41 V/m; Power Drift = -0.06 dB

Peak SAR (extrapolated) = 2.46 W/kg

SAR(1 g) = 1.11 W/kg; SAR(10 g) = 0.548 W/kg

Maximum value of SAR (measured) = 1.65 W/kg



0 dB = 1.65 W/kg = 2.17 dBW/kg

#09_LTE Band 30_10M_QPSK_50_0_Edge 1_0mm_Ch27710

Communication System: LTE; Frequency: 2310 MHz; Duty Cycle: 1:1

Medium: MSL_2300_181017 Medium parameters used: $f = 2310$ MHz; $\sigma = 1.805$ S/m; $\epsilon_r = 52.905$; $\rho = 1000$ kg/m³

Ambient Temperature : 23.7 °C ; Liquid Temperature : 22.7 °C

DASY5 Configuration:

- Probe: EX3DV4 - SN3925; ConvF(7.74, 7.74, 7.74) ; Calibrated: 2018/5/31
- Sensor-Surface: 1.4mm (Mechanical Surface Detection)
- Electronics: DAE4 Sn1326; Calibrated: 2018/9/18
- Phantom: ELI v5.0; Type: QDOVA002AA; Serial: 1131
- Measurement SW: DASY52, Version 52.10 (1); SEMCAD X Version 14.6.11 (7439)

Area Scan (51x101x1): Interpolated grid: dx=1.200 mm, dy=1.200 mm

Maximum value of SAR (interpolated) = 1.98 W/kg

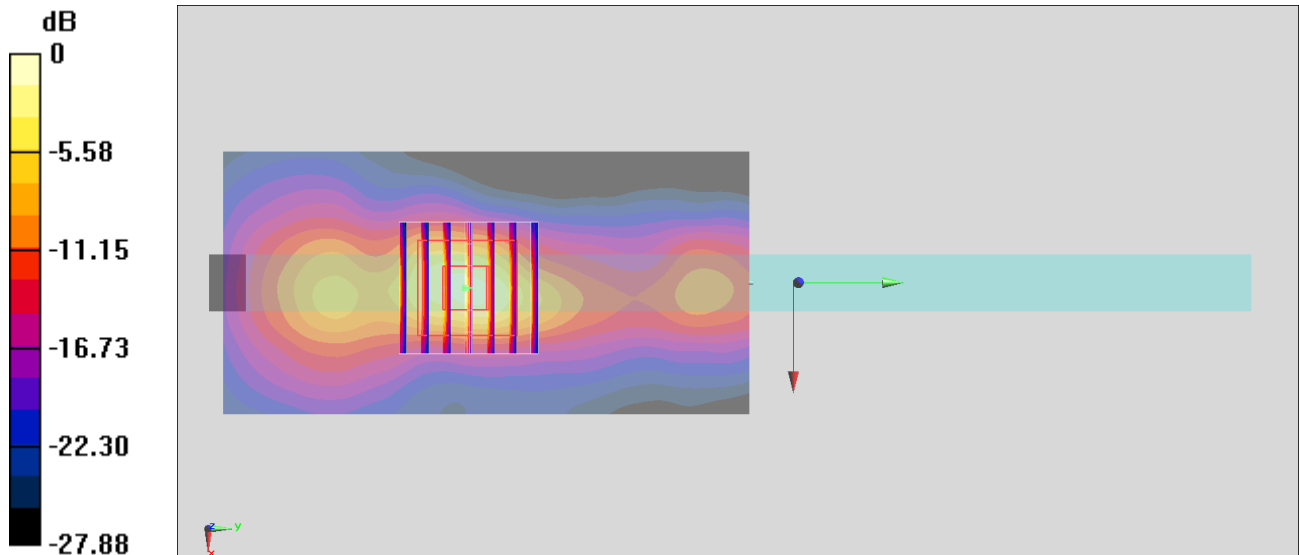
Zoom Scan (7x7x7)/Cube 0: Measurement grid: dx=5mm, dy=5mm, dz=5mm

Reference Value = 35.26 V/m; Power Drift = -0.11 dB

Peak SAR (extrapolated) = 2.97 W/kg

SAR(1 g) = 1.1 W/kg; SAR(10 g) = 0.402 W/kg

Maximum value of SAR (measured) = 2.29 W/kg



0 dB = 2.29 W/kg = 3.60 dBW/kg

#10_LTE Band 66_20M_QPSK_50_24_Bottom Face_0mm_Ch132072

Communication System: LTE; Frequency: 1720 MHz; Duty Cycle: 1:1

Medium: MSL_1750_181022 Medium parameters used: $f = 1720$ MHz; $\sigma = 1.485$ S/m; $\epsilon_r = 54.159$; $\rho = 1000$ kg/m³

Ambient Temperature : 23.2 °C ; Liquid Temperature : 22.2 °C

DASY5 Configuration:

- Probe: EX3DV4 - SN3925; ConvF(8.47, 8.47, 8.47) ; Calibrated: 2018/5/31
- Sensor-Surface: 1.4mm (Mechanical Surface Detection)
- Electronics: DAE4 Sn1326; Calibrated: 2018/9/18
- Phantom: ELI v4.0; Type: QDOVA001BB; Serial: 1026
- Measurement SW: DASY52, Version 52.10 (1); SEMCAD X Version 14.6.11 (7439)

Area Scan (41x71x1): Interpolated grid: dx=1.500 mm, dy=1.500 mm

Maximum value of SAR (interpolated) = 1.78 W/kg

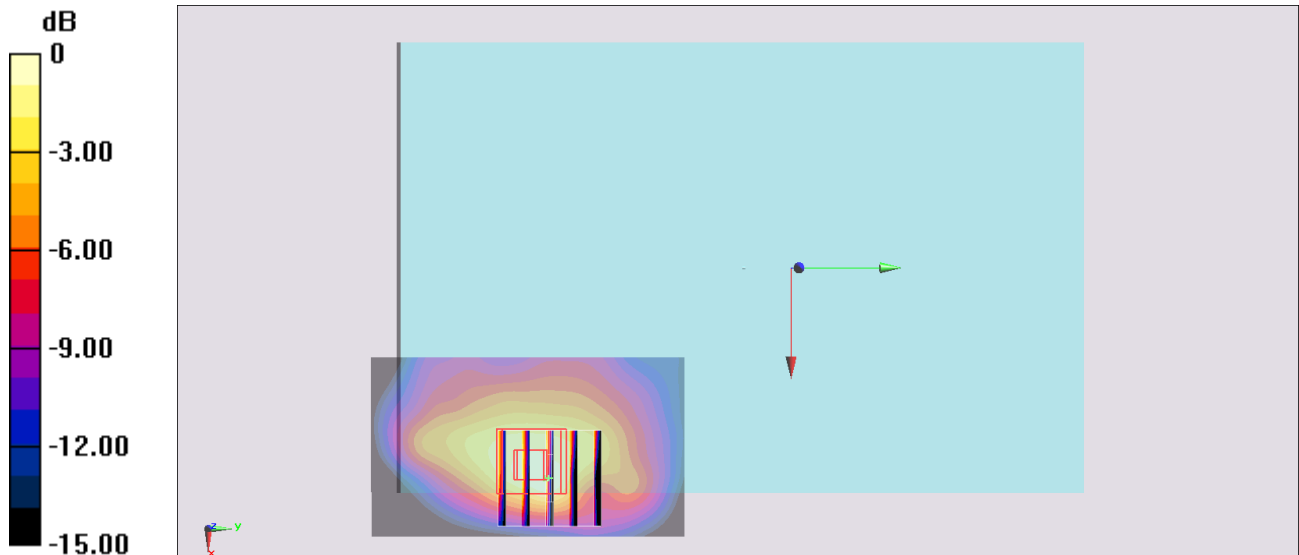
Zoom Scan (5x5x7)/Cube 0: Measurement grid: dx=8mm, dy=8mm, dz=5mm

Reference Value = 28.38 V/m; Power Drift = -0.19 dB

Peak SAR (extrapolated) = 2.37 W/kg

SAR(1 g) = 1.08 W/kg; SAR(10 g) = 0.570 W/kg

Maximum value of SAR (measured) = 1.69 W/kg



0 dB = 1.69 W/kg = 2.28 dBW/kg

#11_LTE Band 41_20M_QPSK_1_0_Edge 1_0mm_Ch40620

Communication System: LTE; Frequency: 2593 MHz; Duty Cycle: 1:1.59

Medium: MSL_2600_181017 Medium parameters used: $f = 2593$ MHz; $\sigma = 2.183$ S/m; $\epsilon_r = 52.509$; $\rho = 1000$ kg/m³

Ambient Temperature : 23.7 °C ; Liquid Temperature : 22.7 °C

DASY5 Configuration:

- Probe: EX3DV4 - SN3925; ConvF(7.59, 7.59, 7.59) ; Calibrated: 2018/5/31
- Sensor-Surface: 1.4mm (Mechanical Surface Detection)
- Electronics: DAE4 Sn1326; Calibrated: 2018/9/18
- Phantom: ELI v5.0; Type: QDOVA002AA; Serial: 1131
- Measurement SW: DASY52, Version 52.10 (1); SEMCAD X Version 14.6.11 (7439)

Area Scan (51x71x1): Interpolated grid: dx=1.200 mm, dy=1.200 mm

Maximum value of SAR (interpolated) = 2.27 W/kg

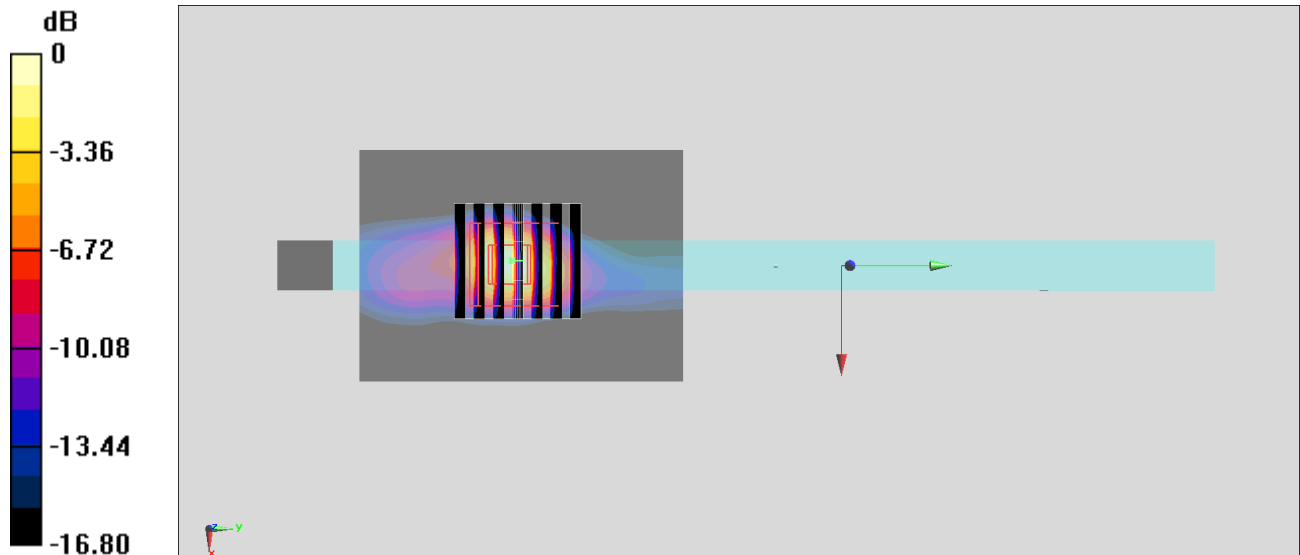
Zoom Scan (7x7x7)/Cube 0: Measurement grid: dx=5mm, dy=5mm, dz=5mm

Reference Value = 26.82 V/m; Power Drift = -0.06 dB

Peak SAR (extrapolated) = 3.03 W/kg

SAR(1 g) = 1.12 W/kg; SAR(10 g) = 0.387 W/kg

Maximum value of SAR (measured) = 2.27 W/kg



0 dB = 2.27 W/kg = 3.56 dBW/kg

#12_WLAN2.4GHz_802.11b 1Mbps_Bottom Face_0mm_Ch6;Ant 2

Communication System: 802.11b; Frequency: 2437 MHz; Duty Cycle: 1:1.015

Medium: MSL_2450_181118 Medium parameters used: $f = 2437$ MHz; $\sigma = 2.021$ S/m; $\epsilon_r = 51.148$; $\rho = 1000$ kg/m³

Ambient Temperature : 23.2°C; Liquid Temperature : 22.2 °C

DASY5 Configuration:

- Probe: EX3DV4 - SN7306; ConvF(7.75, 7.75, 7.75) ; Calibrated: 2018/7/26
- Sensor-Surface: 1.4mm (Mechanical Surface Detection)
- Electronics: DAE3 Sn577; Calibrated: 2018/9/19
- Phantom: ELI v4.0_Left; Type: QDOVA001BB; Serial: TP:1029
- Measurement SW: DASY52, Version 52.10 (1); SEMCAD X Version 14.6.11 (7439)

Area Scan (81x81x1): Interpolated grid: dx=1.200 mm, dy=1.200 mm

Maximum value of SAR (interpolated) = 1.72 W/kg

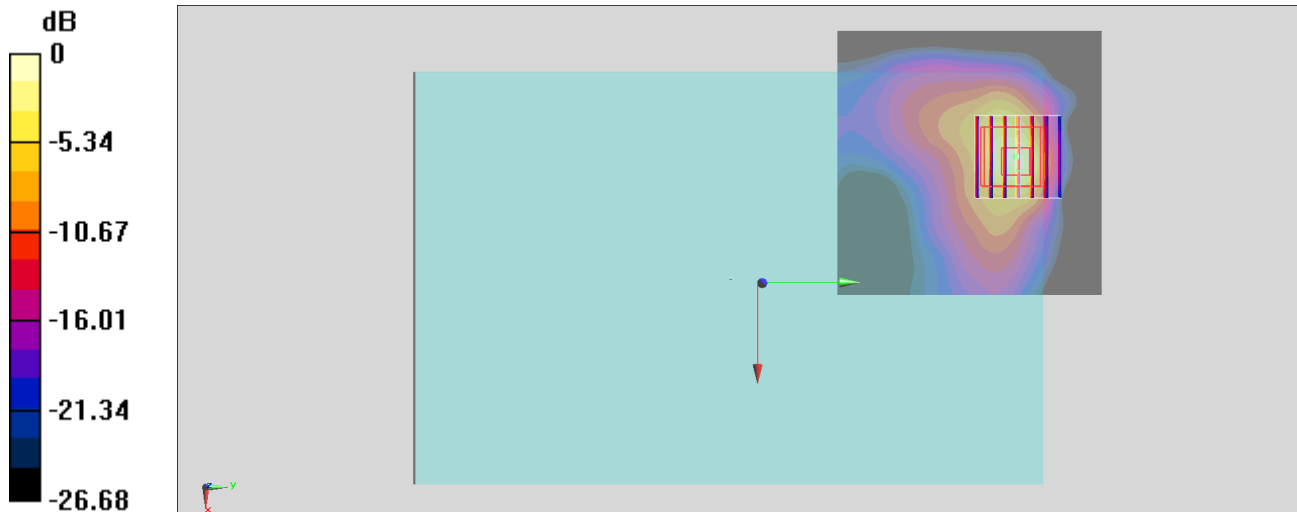
Zoom Scan (7x7x7)/Cube 0: Measurement grid: dx=5mm, dy=5mm, dz=5mm

Reference Value = 22.56 V/m; Power Drift = 0.03 dB

Peak SAR (extrapolated) = 3.33 W/kg

SAR(1 g) = 1.11 W/kg; SAR(10 g) = 0.410 W/kg

Maximum value of SAR (measured) = 2.31 W/kg



0 dB = 2.31 W/kg = 3.64 dBW/kg

#13_WLAN5GHz_802.11n-HT40 MCS0_Edge 2_0mm_Ch62;Ant 2

Communication System: 802.11n; Frequency: 5310 MHz; Duty Cycle: 1:1.032

Medium: MSL_5G_181120 Medium parameters used: $f = 5310$ MHz; $\sigma = 5.617$ S/m; $\epsilon_r = 49.296$; $\rho = 1000$ kg/m³

Ambient Temperature : 23.4 °C ; Liquid Temperature : 22.4 °C

DASY5 Configuration:

- Probe: EX3DV4 - SN3925; ConvF(4.44, 4.44, 4.44) ; Calibrated: 2018/5/31
- Sensor-Surface: 1.4mm (Mechanical Surface Detection)
- Electronics: DAE4 Sn778; Calibrated: 2018/5/25
- Phantom: ELI v5.0; Type: QDOVA002AA; Serial: 1131
- Measurement SW: DASY52, Version 52.10 (1); SEMCAD X Version 14.6.11 (7439)

Area Scan (51x71x1): Interpolated grid: dx=1.000 mm, dy=1.000 mm

Maximum value of SAR (interpolated) = 3.33 W/kg

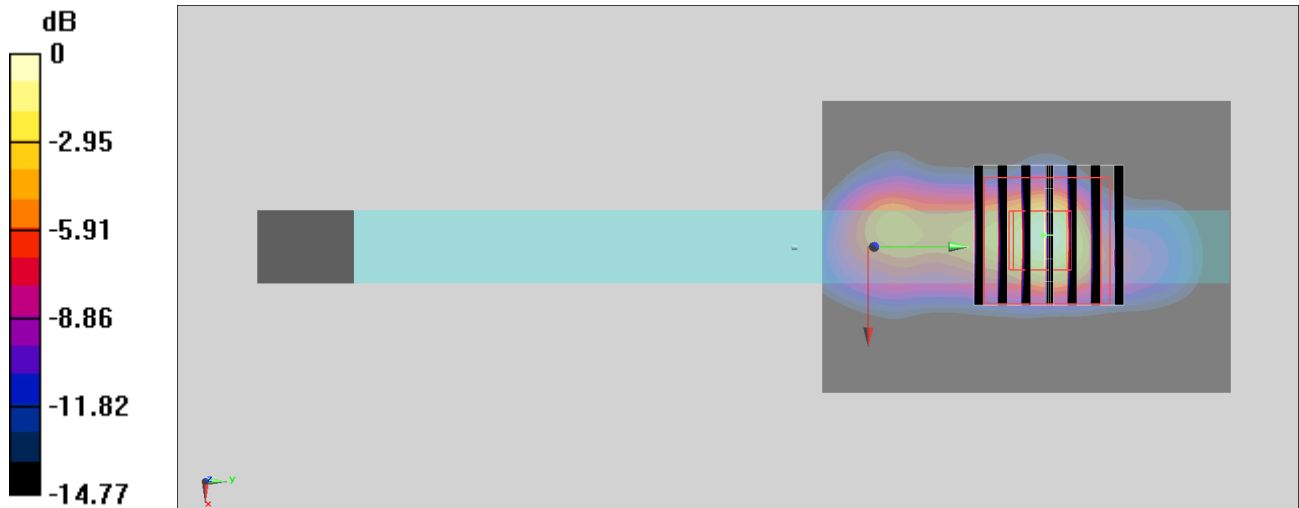
Zoom Scan (7x7x7)/Cube 0: Measurement grid: dx=4mm, dy=4mm, dz=1.4mm

Reference Value = 17.00 V/m; Power Drift = -0.08 dB

Peak SAR (extrapolated) = 5.92 W/kg

SAR(1 g) = 1.12 W/kg; SAR(10 g) = 0.263 W/kg

Maximum value of SAR (measured) = 3.40 W/kg



0 dB = 3.40 W/kg = 5.31 dBW/kg

#14_WLAN5GHz_802.11ac-VHT80 MCS0_Edge 2_0mm_Ch106;Ant 1

Communication System: 802.11ac; Frequency: 5530 MHz; Duty Cycle: 1:1.058

Medium: MSL_5G_181118 Medium parameters used : $f = 5530$ MHz; $\sigma = 5.704$ S/m; $\epsilon_r = 48.487$; $\rho = 1000$ kg/m³

Ambient Temperature : 23.5 °C ; Liquid Temperature : 22.5 °C

DASY5 Configuration:

- Probe: EX3DV4 - SN7306; ConvF(4.03, 4.03, 4.03) ; Calibrated: 2018/7/26
- Sensor-Surface: 1.4mm (Mechanical Surface Detection)
- Electronics: DAE3 Sn577; Calibrated: 2018/9/19
- Phantom: ELI v5.0; Type: QDOVA002AA; Serial: TP:1238
- Measurement SW: DASY52, Version 52.10 (1); SEMCAD X Version 14.6.11 (7439)

Area Scan (61x101x1): Interpolated grid: dx=1.000 mm, dy=1.000 mm

Maximum value of SAR (interpolated) = 1.44 W/kg

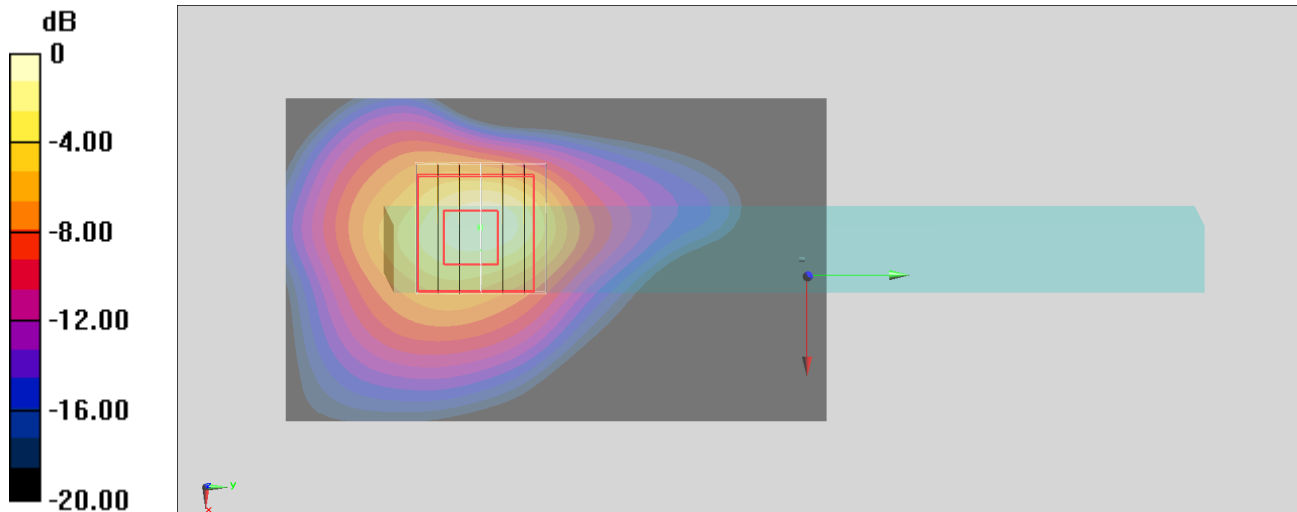
Zoom Scan (7x7x7)/Cube 0: Measurement grid: dx=4mm, dy=4mm, dz=1.4mm

Reference Value = 19.64 V/m; Power Drift = 0.17 dB

Peak SAR (extrapolated) = 6.18 W/kg

SAR(1 g) = 0.982 W/kg; SAR(10 g) = 0.272 W/kg

Maximum value of SAR (measured) = 2.49 W/kg



0 dB = 1.44 W/kg = 1.58 dBW/kg

#15_WLAN5GHz_802.11ac-VHT80 MCS0_Bottom Face_0mm_Ch155;Ant 2

Communication System: 802.11ac; Frequency: 5775 MHz; Duty Cycle: 1:1.065

Medium: MSL_5G_181120 Medium parameters used: $f = 5775$ MHz; $\sigma = 6.243$ S/m; $\epsilon_r = 48.507$; $\rho = 1000$ kg/m³

Ambient Temperature : 23.4 °C ; Liquid Temperature : 22.4 °C

DASY5 Configuration:

- Probe: EX3DV4 - SN3925; ConvF(4.17, 4.17, 4.17) ; Calibrated: 2018/5/31
- Sensor-Surface: 1.4mm (Mechanical Surface Detection)
- Electronics: DAE4 Sn778; Calibrated: 2018/5/25
- Phantom: ELI v5.0; Type: QDOVA002AA; Serial: 1131
- Measurement SW: DASY52, Version 52.10 (1); SEMCAD X Version 14.6.11 (7439)

Area Scan (61x61x1): Interpolated grid: dx=1.000 mm, dy=1.000 mm

Maximum value of SAR (interpolated) = 2.79 W/kg

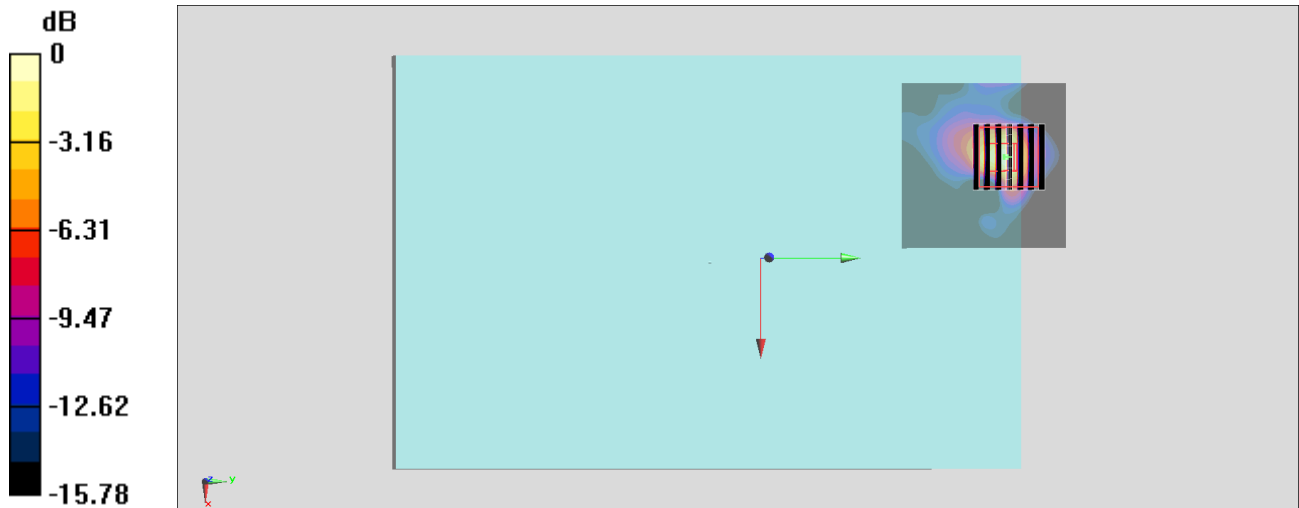
Zoom Scan (7x7x7)/Cube 0: Measurement grid: dx=4mm, dy=4mm, dz=1.4mm

Reference Value = 13.61 V/m; Power Drift = -0.11 dB

Peak SAR (extrapolated) = 5.57 W/kg

SAR(1 g) = 1.11 W/kg; SAR(10 g) = 0.282 W/kg

Maximum value of SAR (measured) = 2.92 W/kg



0 dB = 2.92 W/kg = 4.65 dBW/kg

#16_Bluetooth_1Mbps_Bottom Face_0mm_Ch39;Ant 1

Communication System: Bluetooth; Frequency: 2441 MHz; Duty Cycle: 1:1.305

Medium: MSL_2450_181118 Medium parameters used: $f = 2441$ MHz; $\sigma = 2.027$ S/m; $\epsilon_r = 51.134$; $\rho = 1000$ kg/m³

Ambient Temperature : 23.2°C; Liquid Temperature : 22.2 °C

DASY5 Configuration:

- Probe: EX3DV4 - SN7306; ConvF(7.75, 7.75, 7.75) ; Calibrated: 2018/7/26
- Sensor-Surface: 1.4mm (Mechanical Surface Detection)
- Electronics: DAE3 Sn577; Calibrated: 2018/9/19
- Phantom: ELI v4.0_Left; Type: QDOVA001BB; Serial: TP:1029
- Measurement SW: DASY52, Version 52.10 (1); SEMCAD X Version 14.6.11 (7439)

Area Scan (81x81x1): Interpolated grid: dx=1.200 mm, dy=1.200 mm

Maximum value of SAR (interpolated) = 0.961 W/kg

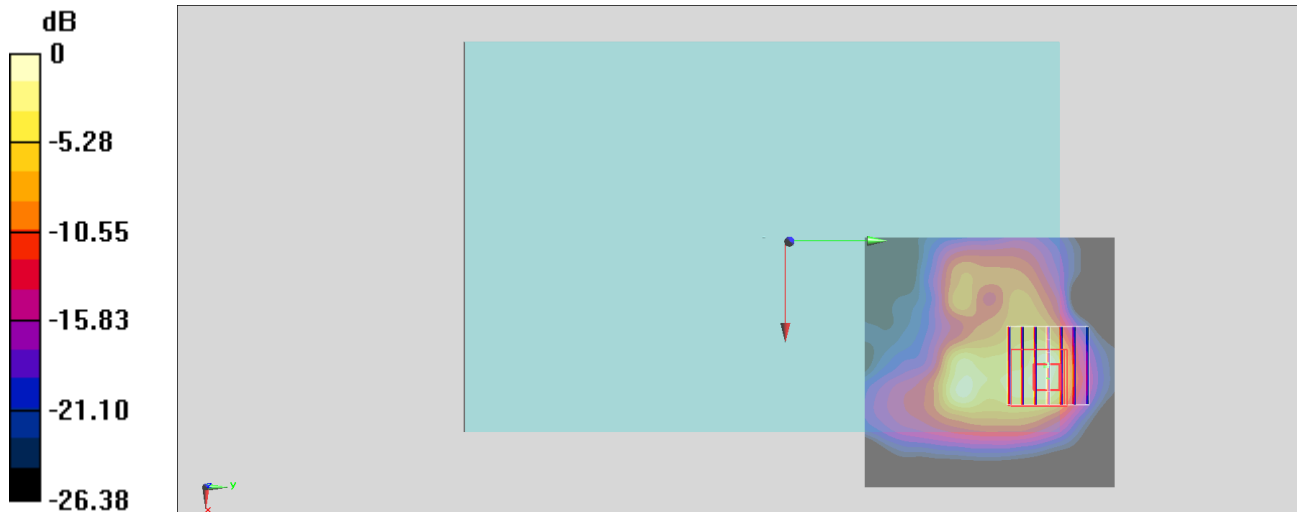
Zoom Scan (7x7x7)/Cube 0: Measurement grid: dx=5mm, dy=5mm, dz=5mm

Reference Value = 12.79 V/m; Power Drift = -0.07 dB

Peak SAR (extrapolated) = 1.27 W/kg

SAR(1 g) = 0.455 W/kg; SAR(10 g) = 0.176 W/kg

Maximum value of SAR (measured) = 0.950 W/kg



0 dB = 0.950 W/kg = -0.22 dBW/kg