

© Aava Mobile Ltd. CONFIDENTIAL	 www.aavamobile.com	Document No:
Title: Inari5 Type Label Specification		Revision: H
Prepared by: <i>Kari Knuuttila</i>		Issue Date: 04 Aug 2015

INARI5

Type Label Specification

<p>© Aava Mobile Ltd. CONFIDENTIAL</p>	 <p>www.aavamobile.com</p>	<p>Document No:</p>
<p>Title: Inari5 Type Label Specification</p>		<p>Revision: H</p>
<p>Prepared by: <i>Kari Knuuttila</i></p>		<p>Issue Date: 04 Aug 2015</p>

- 1. INTRODUCTION..... 3**
 - 1. 1. APPLICABLE TO 3
- 2. LABEL SPECIFICATIONS..... 3**
 - 2. 1. PSN, SERIAL NUMBER 3
 - 2. 2. MAC..... 3
 - 2. 3. 2D CODE..... 3
 - 2. 4. TEXT AND FONT 4
 - 2. 5. DYNAMIC CONTENT..... 4
 - 2. 6. TABLET PART NUMBER DESCRIPTION..... 5
 - 2. 7. MODEL AND VARIANT CODE DESCRIPTION 5
 - 2. 8. INARI5-MODEM-PENDING.TXT 6
 - 2. 9. INARI5-MODEM-CE-FCC.TXT 7
 - 2. 10. INARI5-WLAN-CE-FCC.TXT 8
 - 2. 11. INARI5-WLAN-PENDING.TXT 9
 - 2. 12. LABEL: INARI5-TMD.TXT 10
- 4. DELIVERY SPECIFICATIONS 11**
- 5. INCLUDED FILES 11**

© Aava Mobile Ltd. CONFIDENTIAL	 www.aavamobile.com	Document No:
Title: Inari5 Type Label Specification		Revision: H
Prepared by: Kari Knuuttila		Issue Date: 04 Aug 2015

1. Introduction

1. 1. Applicable to

This label specification applies to **Inari5 PV and Inari5 TMD PV devices.**

2. Label Specifications

2. 1. PSN, Serial Number

Serial number

PBA ID	HW ID	Order Year	Order Week		Serial number					Example
E	A	4	0	4	0	0	0	0	1	EB40400001
E: Inari5	A: AMME2912.2 B: AMME2910.2 C: AMME2972.1 D: AMME2971.1 E: AMME2912.3 F: AMME2910.3 G: AMME2972.2									
G: Inari5 TMD	A: AMME2908.0 B: AMME2908.1									

2. 2. MAC

MAC addresses are in format "AA:BB:CC:DD:EE:FF" All capital letters.

2. 3. 2D Code

Type	Datamatrix, ISO/IEC 16022:2006
Text	Capital letters
Content	PSN#IMEI#WLAN-MAC#PRODCODE#MODEL-VARIANT

In absence of any data, space character placeholder should be added

<p>© Aava Mobile Ltd. CONFIDENTIAL</p>	 www.aavamobile.com	Document No:
Title: Inari5 Type Label Specification		Revision: H
Prepared by: Kari Knuuttila		Issue Date: 04 Aug 2015

2. 4. Text and font

Font	Futura Hv (unless otherwise noted)
Color	Black
Dynamic Content	<ul style="list-style-type: none"> • Model • Variant • PSN • IMEI • 2D code

2. 5. Dynamic Content

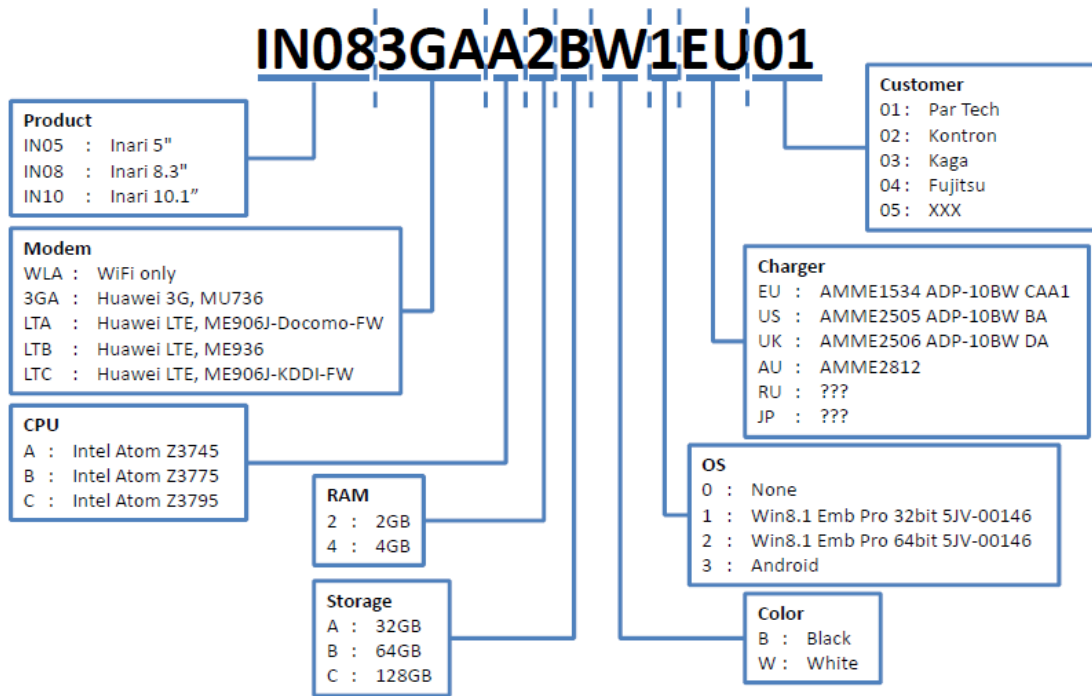
Dynamic data fields are replaced by tester PC before sending label file to the printer. Following special tags are supported within label file. These will be replaced with actual content. 2D code should be built by using these special tags in content part.

Tag	Description
[PSN]	S/N of the unit
[SERIAL_BAR]	S/N with fix of letters for barcode format
[WLAN]	WLAN mac
[BT]	BT mac
[IMEI]	IMEI number
[PRODCODE]	Product code
[MODEL]	Model string
[VARIANT]	Variant string
[CUSTOMER_PN]	Customer PN string
[CUSTOMER_MODEL]	Customer Model string
[BUILD]	Build info
[WEEK]	Manufacturing week Format: YYWDD ie. 14W52

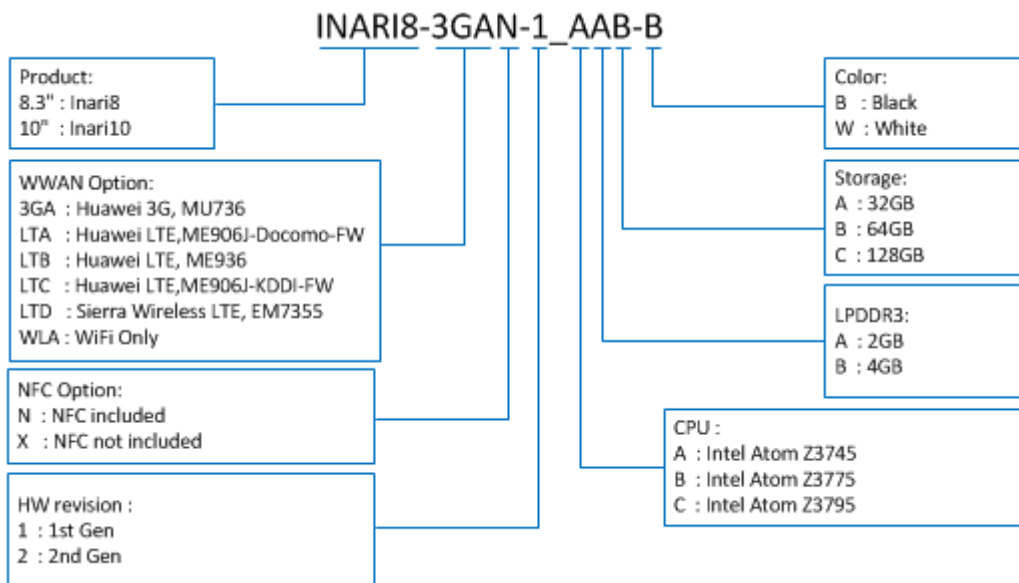
<p>© Aava Mobile Ltd. CONFIDENTIAL</p>	 www.aavamobile.com	<p>Document No:</p>
<p>Title: Inari5 Type Label Specification</p>		<p>Revision: H</p>
<p>Prepared by: Kari Knuuttila</p>		<p>Issue Date: 04 Aug 2015</p>

2. 6. Tablet part number description

Aava tablet Part Number Key

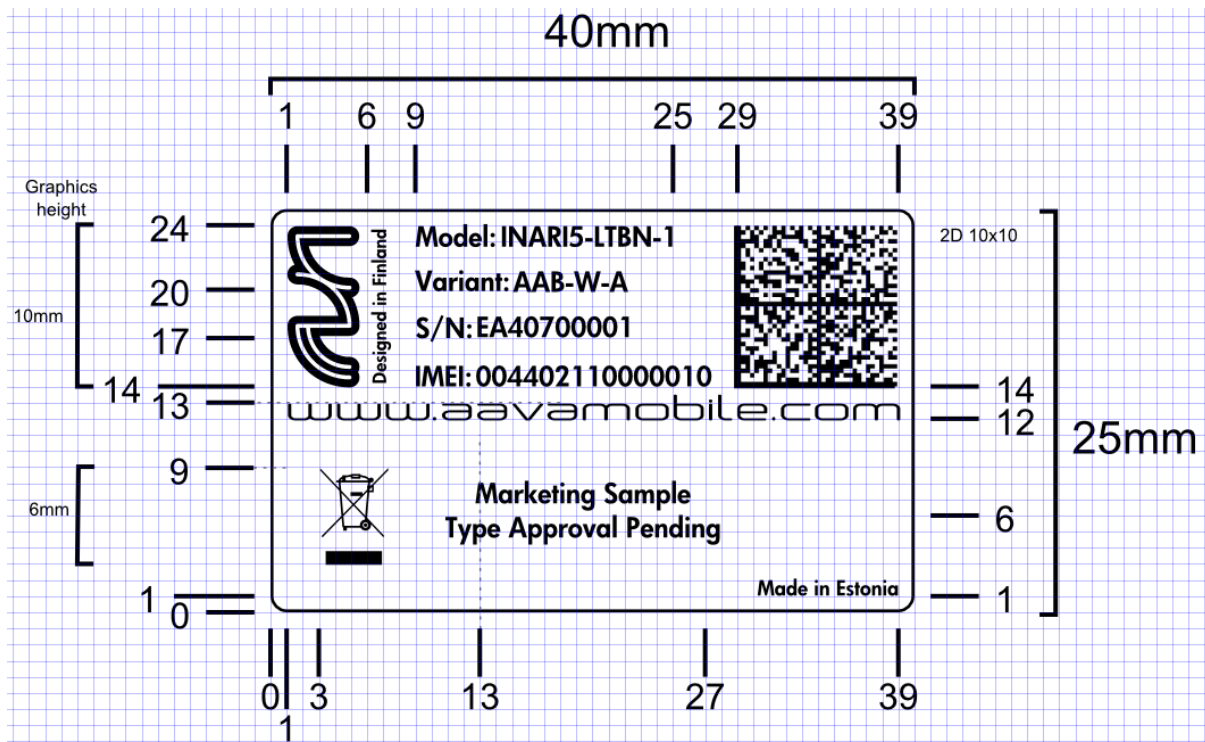


2. 7. Model and Variant code description



<p>© Aava Mobile Ltd. CONFIDENTIAL</p>	 www.aavamobile.com	<p>Document No:</p>
<p>Title: Inari5 Type Label Specification</p>		<p>Revision: H</p>
<p>Prepared by: Kari Knuuttila</p>		<p>Issue Date: 04 Aug 2015</p>

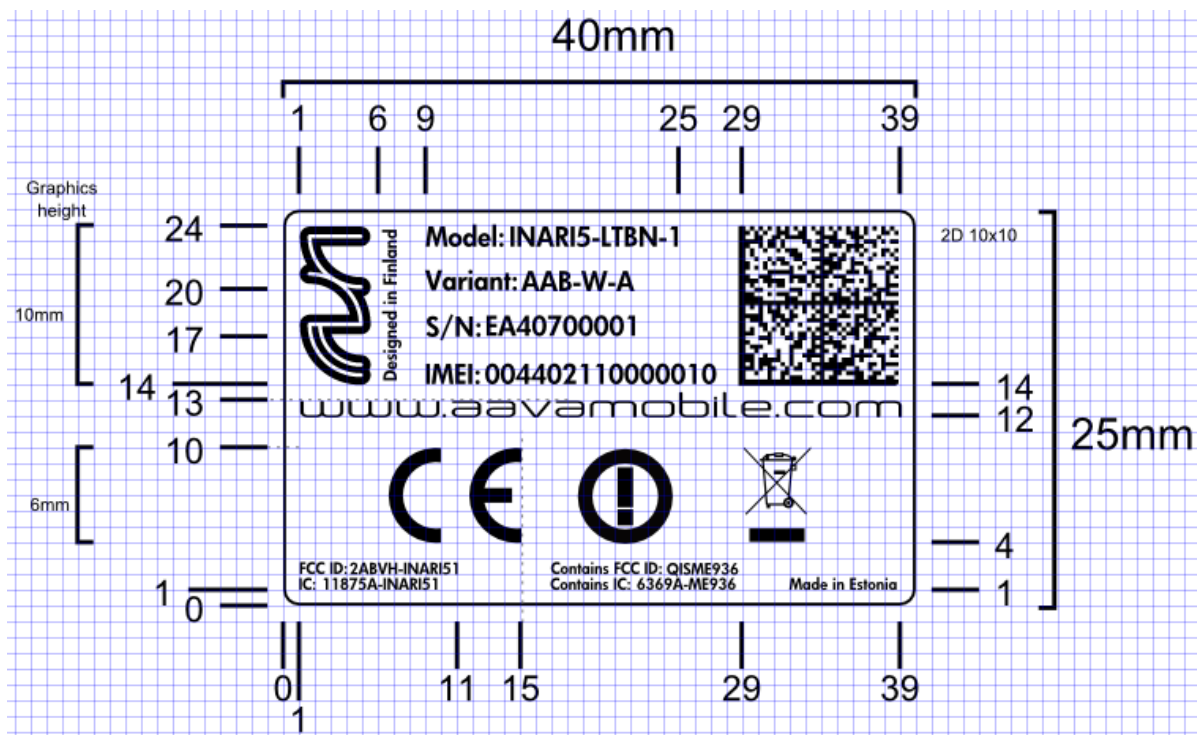
2. 8. Inari5-Modem-pending.txt



Block	Details
Aava logo	<ul style="list-style-type: none"> Graphics height: 10mm
WEEE symbol	<ul style="list-style-type: none"> Graphics height: 6mm
2D	<ul style="list-style-type: none"> Dynamic content from tester Size: 10x10mm
Model, Variant, S/N	<ul style="list-style-type: none"> Dynamic content from tester Font size 6pt
Marketing	<ul style="list-style-type: none"> Font size 6pt
Made in	<ul style="list-style-type: none"> Font size 4pt

<p>© Aava Mobile Ltd. CONFIDENTIAL</p>	 www.aavamobile.com	<p>Document No:</p>
<p>Title: Inari5 Type Label Specification</p>		<p>Revision: H</p>
<p>Prepared by: Kari Knuuttila</p>		<p>Issue Date: 04 Aug 2015</p>

2. 9. Inari5-Modem-CE-FCC.txt

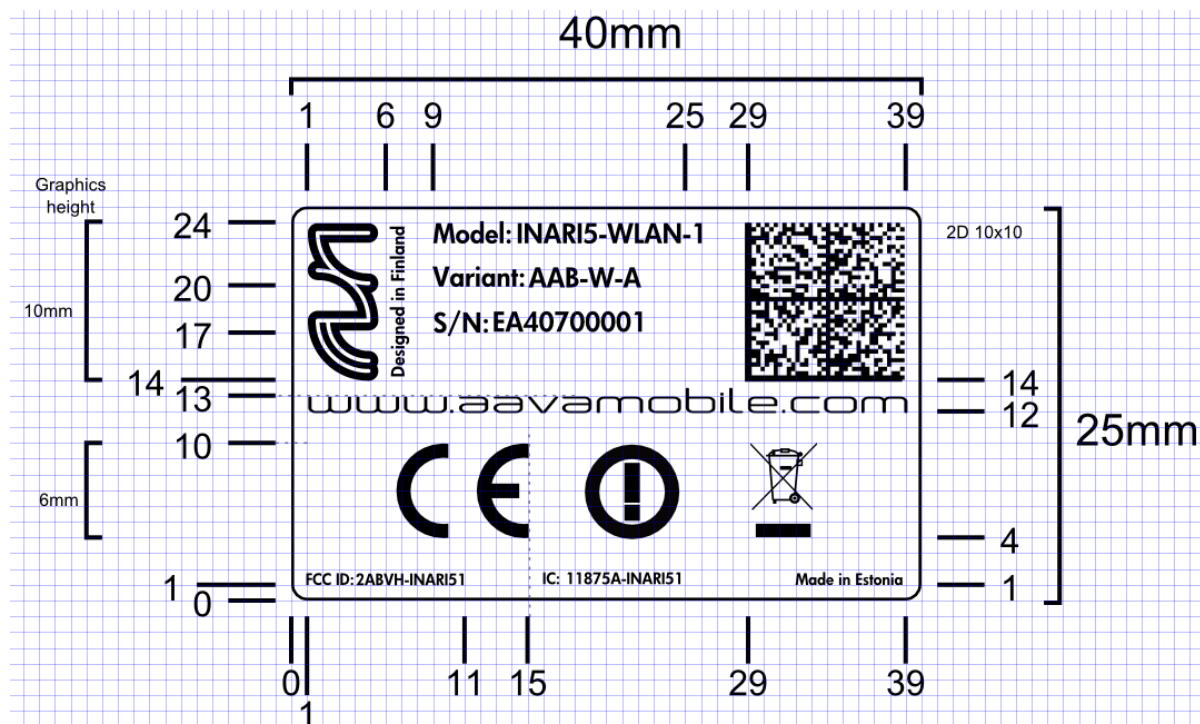


(Type approval pending for LTE)

Block	Details
Aava logo	<ul style="list-style-type: none"> Graphics height: 10mm
WEEE symbol	<ul style="list-style-type: none"> Graphics height: 6mm
2D	<ul style="list-style-type: none"> Dynamic content from tester Size: 10x10mm
Model, Variant, S/N, IMEI	<ul style="list-style-type: none"> Dynamic content from tester Font size 6pt
FCC, IC	<ul style="list-style-type: none"> Font size 4pt
Made in	<ul style="list-style-type: none"> Font size 4pt

<p>© Aava Mobile Ltd. CONFIDENTIAL</p>	 www.aavamobile.com	<p>Document No:</p>
<p>Title: Inari5 Type Label Specification</p>		<p>Revision: H</p>
<p>Prepared by: Kari Knuuttila</p>		<p>Issue Date: 04 Aug 2015</p>

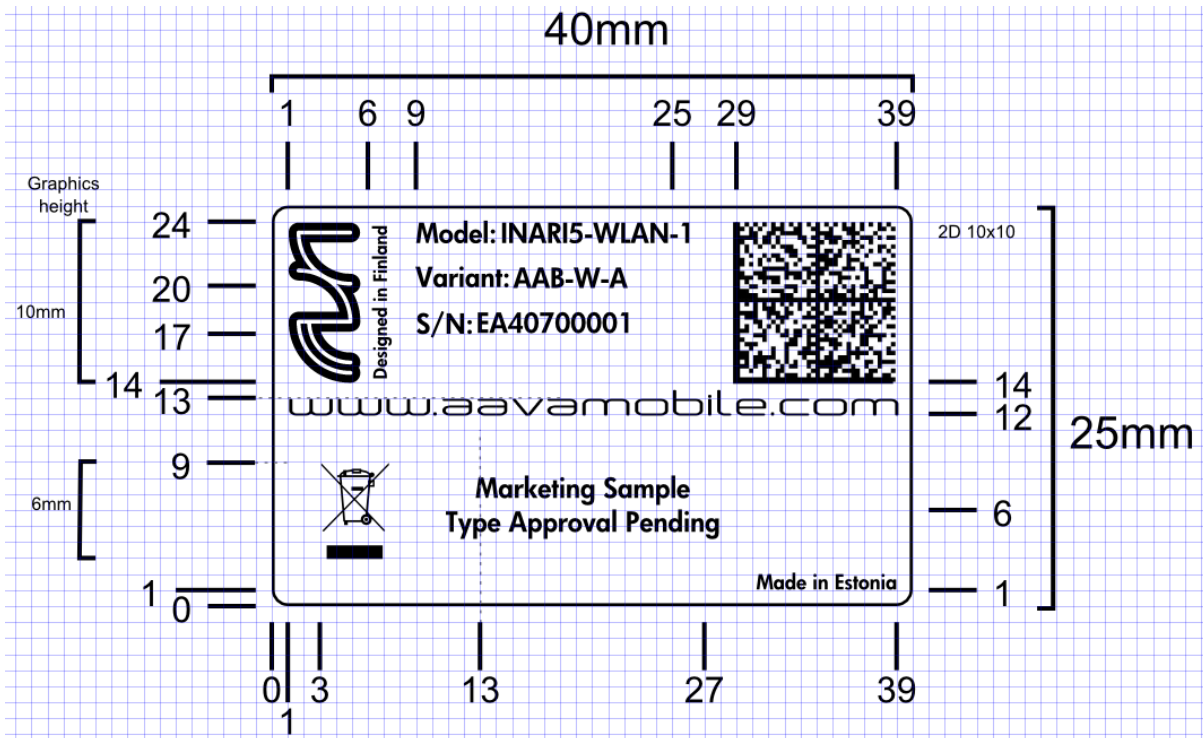
2. 10. Inari5-WLAN-CE-FCC.txt



Block	Details
Aava logo	<ul style="list-style-type: none"> Graphics height: 10mm
WEEE symbol	<ul style="list-style-type: none"> Graphics height: 6mm
2D	<ul style="list-style-type: none"> Dynamic content from tester Size: 10x10mm
Model, Variant, S/N	<ul style="list-style-type: none"> Dynamic content from tester Font size 6pt
FCC, IC	<ul style="list-style-type: none"> Font size 4pt
Made in	<ul style="list-style-type: none"> Font size 4pt

© Aava Mobile Ltd. CONFIDENTIAL	 www.aavamobile.com	Document No:
Title: Inari5 Type Label Specification		Revision: H
Prepared by: Kari Knuuttila		Issue Date: 04 Aug 2015

2. 11. Inari5-WLAN-Pending.txt

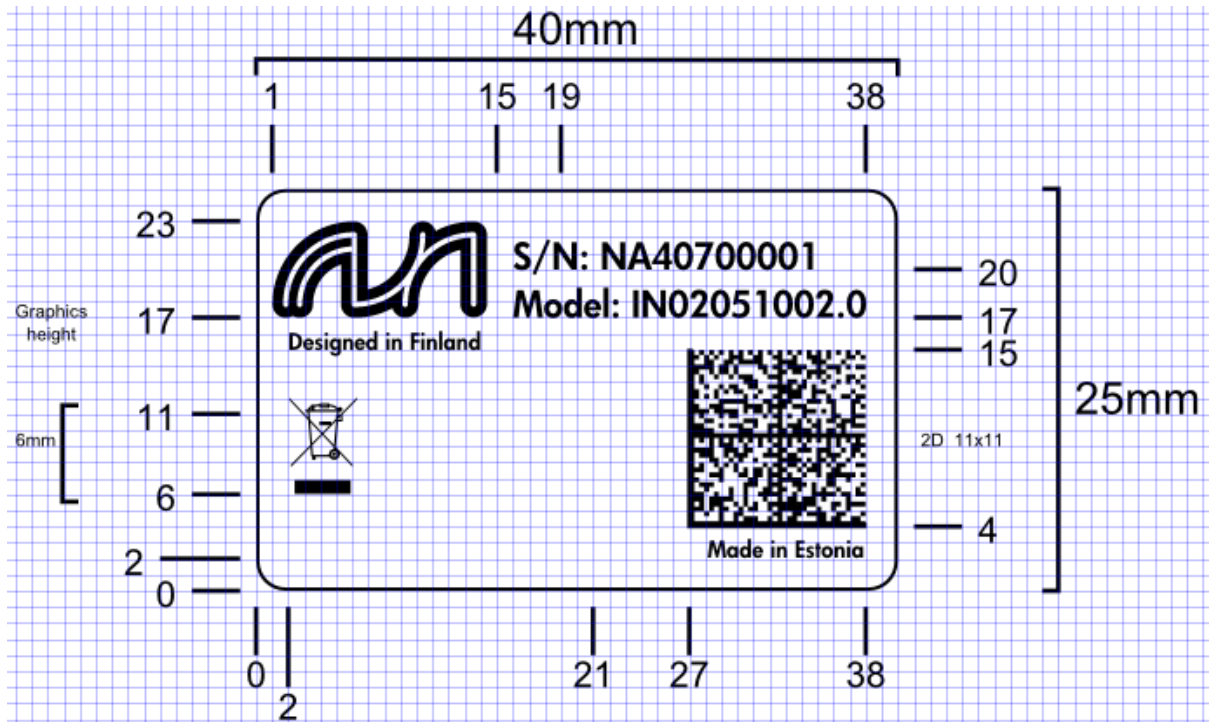


Block	Details
Aava logo	<ul style="list-style-type: none"> Graphics height: 10mm
WEEE symbol	<ul style="list-style-type: none"> Graphics height: 6mm
2D	<ul style="list-style-type: none"> Dynamic content from tester Size: 10x10mm
Model, Variant, S/N	<ul style="list-style-type: none"> Dynamic content from tester Font size 6pt
FCC, IC	<ul style="list-style-type: none"> Font size 4pt
Made in	<ul style="list-style-type: none"> Font size 4pt

© Aava Mobile Ltd. CONFIDENTIAL	 www.aavamobile.com	Document No:
Title: Inari5 Type Label Specification		Revision: H
Prepared by: Kari Knuuttila		Issue Date: 04 Aug 2015

2. 12. Inari5-TMD.txt

This additional label is attached to TMD module. Label should be pre-printed with running serial number.
















Block	Details
Aava logo	<ul style="list-style-type: none"> Graphics height: 6mm
WEEE symbol	<ul style="list-style-type: none"> Graphics height: 6mm
2D	<ul style="list-style-type: none"> Size: 11x11mm Content: PSN#MODEL
Model, S/N	<ul style="list-style-type: none"> Font size: 8pt
Engineering Sammple	<ul style="list-style-type: none"> Font size: 6pt
Designed, Build, Made in	<ul style="list-style-type: none"> Font size: 5pt

<p>© Aava Mobile Ltd. CONFIDENTIAL</p>	 www.aavamobile.com	<p>Document No:</p>
<p>Title: Inari5 Type Label Specification</p>		<p>Revision: H</p>
<p>Prepared by: Kari Knuuttila</p>		<p>Issue Date: 04 Aug 2015</p>

4. Delivery specifications

Label file should be provided in Zebra language file format, correct for printer used.

5. Included files

	Image	Vector file	Raster file
Aava logo			 003_Aava_logo_RGB.png
Aava text	www.aavamobile.com		 www.aavamobile.com_wide.png
WEEE symbol		 WEEE_symbol_vectors.svg	 WEEE_symbol.png
CE mark		 Cemark.svg	 Cemark.png
Alert mark		 Alert_mark_R_TTE_CE.svg	 Alert_mark_R_TTE_CE.png
Futura Hv Font		 ufonts.com_futura-heavy.ttf	

© Aava Mobile Ltd. CONFIDENTIAL	 <small>www.aavamobile.com</small>	Document No:
Title: Inari5 Type Label Specification		Revision: H
Prepared by: Kari Knuuttila		Issue Date: 04 Aug 2015

Change History

Version (Rev X)	Date (YYYY-MM-DD)	Author	Change Reason or CR No.	Modify Contents and Location
Rev A	2014-06-05	K Knuuttila	First release	
Rev B	2014-08-15	K Knuuttila	Label update	2.7,2.8 description 2.9 TMD Label updated 4. TMD print delivery removed
Rev C	2014-10-13	K Knuuttila	Update for DV1	2.1 PSN spec 2.7, 2.8 Labels
Rev D	2014-10-21	K Knuuttila	TMD EV2 to DV1	1.1, 2.9
Rev E	2014-11-28	J Ylisirniö	DV2 updates	2.1 PSN spec 2.6 Types 2.7-2.9 Labels
Rev F	2015-02-19	K Knuuttila	PV/Ramp-up	2.1 PSN spec 2.8-2.11 Labels updated 5. CE & Alert mark added
Rev G	2015-06-08	K Knuuttila	RU changes, new wlan-pending label	2.1 2.8 2.10 2.11, 2.12
Rev H	2015-Aug-04	M Laukkanen	Font size updated for ID and "Made in" markings	2.8, 2.9, 2.10, 2.11

© Aava Mobile Ltd. CONFIDENTIAL	 <small>www.aavamobile.com</small>	Document No:
Title: Inari5 Type Label Specification		Revision: H
Prepared by: <i>Kari Knuuttila</i>		Issue Date: 04 Aug 2015

Reviewed By

Role	Name
GPM	
R&D Manager	
Chief Engineer	

Approved By

Role	Name	Signature	Date (YYYY-MM-DD)
GPM			