

ANNEX C System Validation Reports

Test Laboratory: Eurofins Product Service GmbH

SystemPerformanceCheck-MSL1900 MHz_13_08_2014

DUT: Dipole 1900 MHz; Type: D1900V2; Serial: 5d025

Communication System: UID 0 - n/a, CW; Frequency: 1900 MHz;Duty Cycle: 1:1

Medium: Muscle 1900 MHz Medium parameters used: $f = 1900$ MHz; $\sigma = 1.464$ S/m; $\epsilon_r = 54.371$; $\rho = 1000$ kg/m³

Phantom section: Flat Section

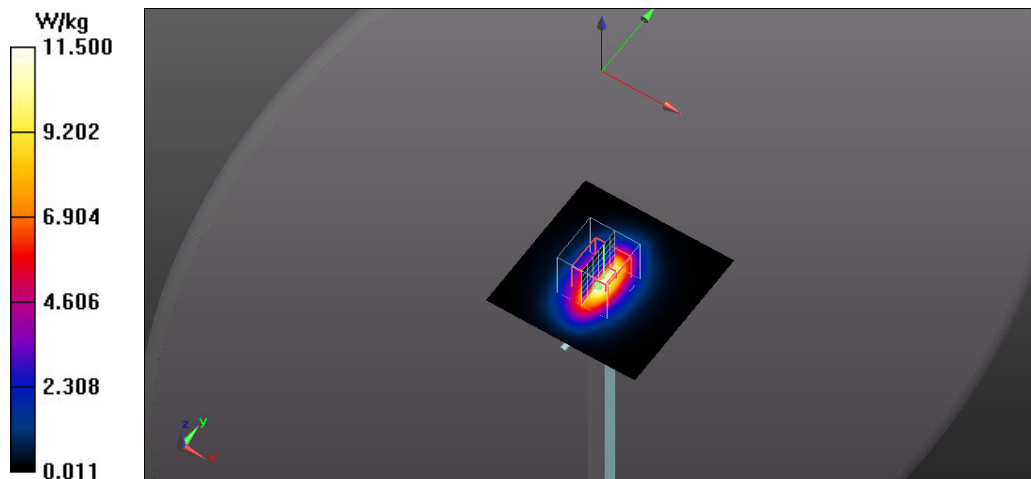
Measurement Standard: DASYS (IEEE/IEC/ANSI C63.19-2007)

DASY5.2 Configuration:

- Probe: ET3DV6 - SN1711; ConvF(4.69, 4.69, 4.69); Calibrated: 9/18/2013;
- Sensor-Surface: 4mm (Mechanical Surface Detection)
- Electronics: DAE3 Sn522; Calibrated: 9/11/2013
- Phantom: ELI v4.0; Type: QDOVA001BB; Serial: TP: 1013
- Measurement SW: DASYS2, Version 52.8 (6); SEMCAD X Version 14.6.9 (7117)

System Performance Check at Frequencies above 1 GHz/d=10mm, Pin=250 mW, dist=4.0mm (ET-Probe)/Area Scan (61x61x1): Interpolated grid: dx=1.500 mm, dy=1.500 mm
Maximum value of SAR (interpolated) = 11.5 W/kg

System Performance Check at Frequencies above 1 GHz/d=10mm, Pin=250 mW, dist=4.0mm (ET-Probe)/Zoom Scan (7x7x7) (7x7x7)/Cube 0: Measurement grid: dx=5mm, dy=5mm, dz=5mm
Reference Value = 89.841 V/m; Power Drift = 0.16 dB
Peak SAR (extrapolated) = 15.2 W/kg
SAR(1 g) = 9.46 W/kg; SAR(10 g) = 5.12 W/kg
Maximum value of SAR (measured) = 10.7 W/kg



Test Laboratory: Eurofins Product Service GmbH

SystemPerformanceCheck-MSL1900 MHz_12_08_2014

DUT: Dipole 1900 MHz; Type: D1900V2; Serial: 5d025

Communication System: UID 0 - n/a, CW; Frequency: 1900 MHz;Duty Cycle: 1:1

Medium: Muscle 1900 MHz Medium parameters used: $f = 1900$ MHz; $\sigma = 1.464$ S/m; $\epsilon_r = 54.371$; $\rho = 1000$ kg/m³

Phantom section: Flat Section

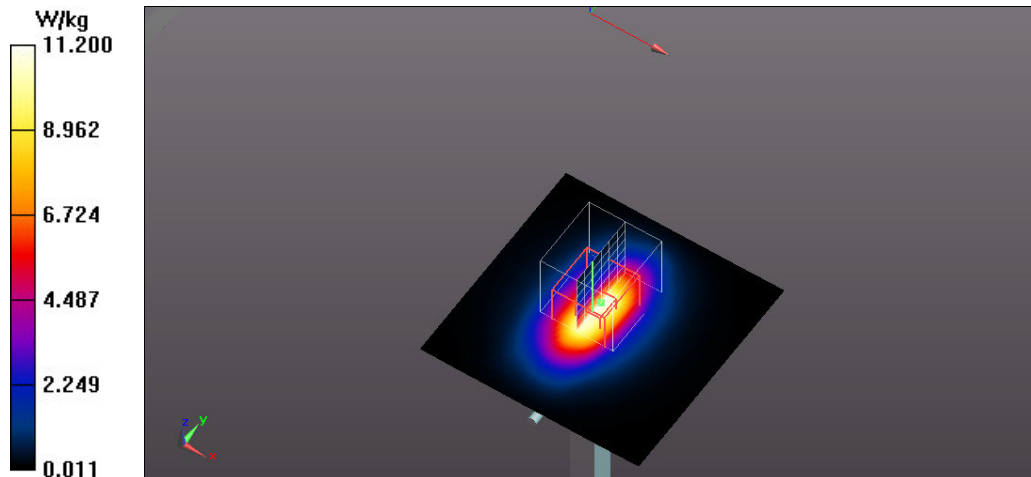
Measurement Standard: DASYS (IEEE/IEC/ANSI C63.19-2007)

DASY5.2 Configuration:

- Probe: ET3DV6 - SN1711; ConvF(4.69, 4.69, 4.69); Calibrated: 9/18/2013;
- Sensor-Surface: 4mm (Mechanical Surface Detection)
- Electronics: DAE3 Sn522; Calibrated: 9/11/2013
- Phantom: ELI v4.0; Type: QDOVA001BB; Serial: TP: 1013
- Measurement SW: DASYS, Version 52.8 (6); SEMCAD X Version 14.6.9 (7117)

System Performance Check at Frequencies above 1 GHz/d=10mm, Pin=xx mW, dist=4.0mm (ET-Probe)/Area Scan (61x61x1): Interpolated grid: dx=1.500 mm, dy=1.500 mm
Maximum value of SAR (interpolated) = 11.2 W/kg

System Performance Check at Frequencies above 1 GHz/d=10mm, Pin=xx mW, dist=4.0mm (ET-Probe)/Zoom Scan (7x7x7) (7x7x7)/Cube 0: Measurement grid: dx=5mm, dy=5mm, dz=5mm
Reference Value = 90.340 V/m; Power Drift = 0.08 dB
Peak SAR (extrapolated) = 14.9 W/kg
SAR(1 g) = 9.24 W/kg; SAR(10 g) = 5.02 W/kg
Maximum value of SAR (measured) = 10.5 W/kg



Test Laboratory: Eurofins Product Service GmbH

SystemPerformanceCheck-MSL900 MHz_11_08_2014

DUT: Dipole 900 MHz; Type: D900V2; Serial: 164

Communication System: UID 0 - n/a, CW; Frequency: 900 MHz;Duty Cycle: 1:1

Medium: Muscle 900 MHz Medium parameters used: $f = 900$ MHz; $\sigma = 1.03$ S/m; $\epsilon_r = 54.419$; $\rho = 1000$ kg/m³

Phantom section: Flat Section

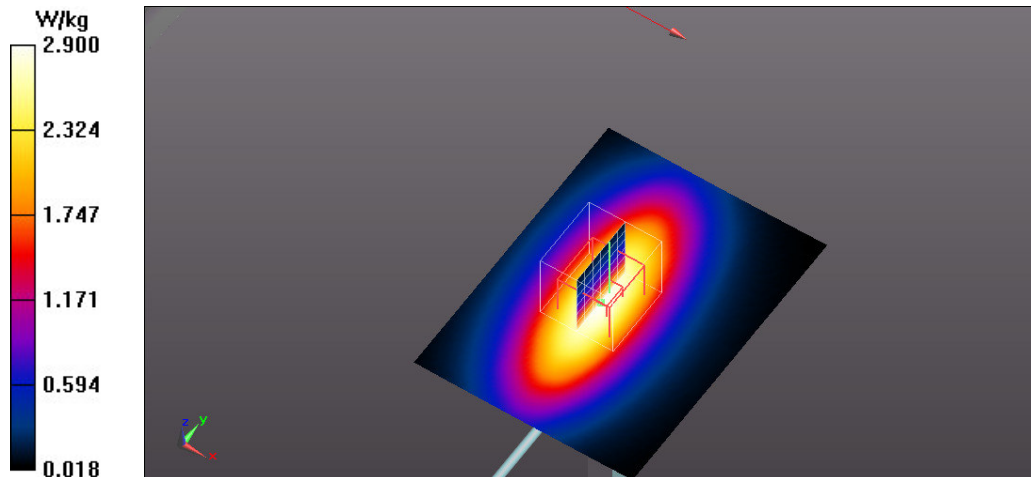
Measurement Standard: DASYS (IEEE/IEC/ANSI C63.19-2007)

DASY5.2 Configuration:

- Probe: ET3DV6 - SN1711; ConvF(5.99, 5.99, 5.99); Calibrated: 9/18/2013;
- Sensor-Surface: 4mm (Mechanical Surface Detection)
- Electronics: DAE3 Sn522; Calibrated: 9/11/2013
- Phantom: ELI v4.0; Type: QDOVA001BB; Serial: TP: 1013
- Measurement SW: DASYS, Version 52.8 (6); SEMCAD X Version 14.6.9 (7117)

System Performance Check at Frequencies below 1 GHz/d=15mm, Pin=250 mW, dist=4.0mm (ET-Probe)/Area Scan (61x81x1): Interpolated grid: dx=1.500 mm, dy=1.500 mm
Maximum value of SAR (interpolated) = 2.90 W/kg

System Performance Check at Frequencies below 1 GHz/d=15mm, Pin=250 mW, dist=4.0mm (ET-Probe)/Zoom Scan (7x7x7) (7x7x7)/Cube 0: Measurement grid: dx=5mm, dy=5mm, dz=5mm
Reference Value = 55.309 V/m; Power Drift = 0.06 dB
Peak SAR (extrapolated) = 3.88 W/kg
SAR(1 g) = 2.71 W/kg; SAR(10 g) = 1.77 W/kg
Maximum value of SAR (measured) = 2.93 W/kg



Test Laboratory: Eurofins Product Service GmbH

SystemPerformanceCheck-MSL900 MHz_08_08_2014

DUT: Dipole 900 MHz; Type: D900V2; Serial: 164

Communication System: UID 0 - n/a, CW; Frequency: 900 MHz;Duty Cycle: 1:1

Medium: Muscle 900 MHz Medium parameters used: $f = 900$ MHz; $\sigma = 1.03$ S/m; $\epsilon_r = 54.419$; $\rho = 1000$ kg/m³

Phantom section: Flat Section

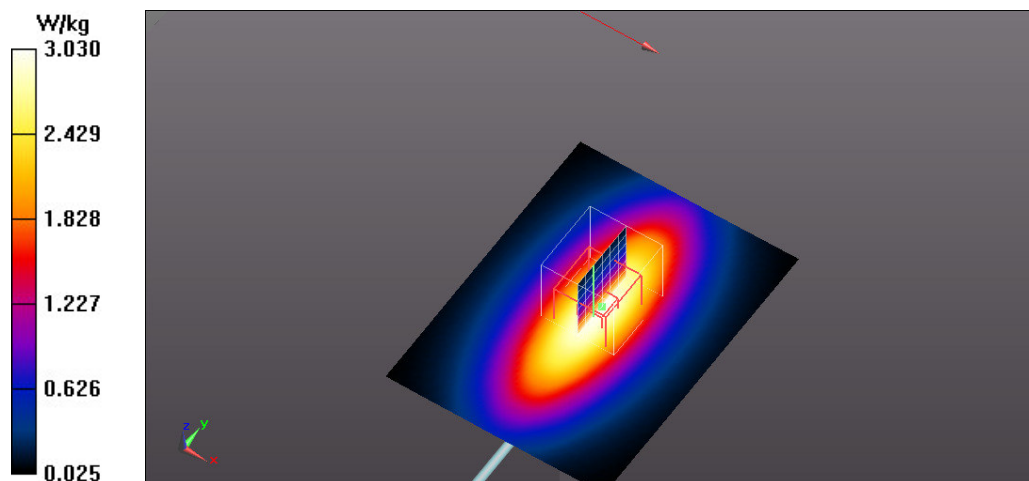
Measurement Standard: DASYS (IEEE/IEC/ANSI C63.19-2007)

DASY5.2 Configuration:

- Probe: ET3DV6 - SN1711; ConvF(5.99, 5.99, 5.99); Calibrated: 9/18/2013;
- Sensor-Surface: 4mm (Mechanical Surface Detection)
- Electronics: DAE3 Sn522; Calibrated: 9/11/2013
- Phantom: ELI v4.0; Type: QDOVA001BB; Serial: TP: 1013
- Measurement SW: DASYS2, Version 52.8 (6); SEMCAD X Version 14.6.9 (7117)

System Performance Check at Frequencies below 1 GHz/d=15mm, Pin=xx mW, dist=4.0mm (ET-Probe)/Area Scan (61x81x1): Interpolated grid: dx=1.500 mm, dy=1.500 mm
Maximum value of SAR (interpolated) = 3.03 W/kg

System Performance Check at Frequencies below 1 GHz/d=15mm, Pin=xx mW, dist=4.0mm (ET-Probe)/Zoom Scan (7x7x7) (7x7x7)/Cube 0: Measurement grid: dx=5mm, dy=5mm, dz=5mm
Reference Value = 54.585 V/m; Power Drift = -0.03 dB
Peak SAR (extrapolated) = 4.02 W/kg
SAR(1 g) = 2.8 W/kg; SAR(10 g) = 1.83 W/kg
Maximum value of SAR (measured) = 3.05 W/kg



Test Laboratory: Eurofins Product Service GmbH

SystemPerformanceCheck-MSL900 MHz_14_08_2014

DUT: Dipole 900 MHz; Type: D900V2; Serial: 164

Communication System: UID 0 - n/a, CW; Frequency: 900 MHz;Duty Cycle: 1:1

Medium: Muscle 900 MHz Medium parameters used: $f = 900$ MHz; $\sigma = 1.03$ S/m; $\epsilon_r = 54.419$; $\rho = 1000$ kg/m³

Phantom section: Flat Section

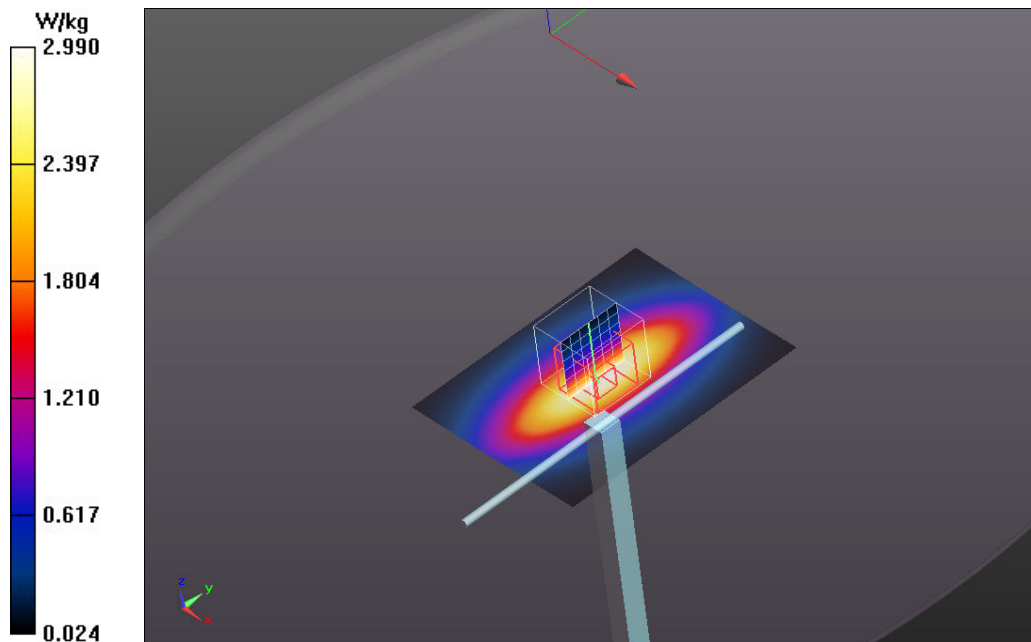
Measurement Standard: DASYS (IEEE/IEC/ANSI C63.19-2007)

DASY5.2 Configuration:

- Probe: ET3DV6 - SN1711; ConvF(5.99, 5.99, 5.99); Calibrated: 9/18/2013;
- Sensor-Surface: 4mm (Mechanical Surface Detection)
- Electronics: DAE3 Sn522; Calibrated: 9/11/2013
- Phantom: ELI v4.0; Type: QDOVA001BB; Serial: TP: 1013
- Measurement SW: DASYS2, Version 52.8 (6); SEMCAD X Version 14.6.9 (7117)

System Performance Check at Frequencies below 1 GHz/d=15mm, Pin=250 mW, dist=4.0mm (ET-Probe)/Area Scan (61x81x1): Interpolated grid: dx=1.500 mm, dy=1.500 mm
Maximum value of SAR (interpolated) = 2.99 W/kg

System Performance Check at Frequencies below 1 GHz/d=15mm, Pin=250 mW, dist=4.0mm (ET-Probe)/Zoom Scan (7x7x7) (7x7x7)/Cube 0: Measurement grid: dx=5mm, dy=5mm, dz=5mm
Reference Value = 54.980 V/m; Power Drift = 0.05 dB
Peak SAR (extrapolated) = 4.00 W/kg
SAR(1 g) = 2.78 W/kg; SAR(10 g) = 1.82 W/kg
Maximum value of SAR (measured) = 3.04 W/kg



Test Laboratory: Eurofins Product Service GmbH

SystemPerformanceCheck-MSL 5800_06_08_2014

DUT: Dipole D5GHzV2; Type: D5GHzV2; Serial: D5GHzV2 - SN:xxx

Communication System: UID 0 - n/a, CW; Frequency: 5800 MHz; Duty Cycle: 1:1

Medium: MBBL 3-6 GHz Medium parameters used: $f = 5800$ MHz; $\sigma = 6.07$ S/m; $\epsilon_r = 46$; $\rho = 1000$ kg/m³

Phantom section: Flat Section

Measurement Standard: DASYS (IEEE/IEC/ANSI C63.19-2007)

DASY5.2 Configuration:

- Probe: EX3DV4 - SN3893; ConvF(4.38, 4.38, 4.38); Calibrated: 9/17/2013;
- Sensor-Surface: 1.4mm (Mechanical Surface Detection)
- Electronics: DAE3 Sn522; Calibrated: 9/11/2013
- Phantom: ELI v4.0; Type: QDOVA001BB; Serial: TP: 1013
- Measurement SW: DASY52, Version 52.8 (6); SEMCAD X Version 14.6.9 (7117)

System Performance Check with D5GHzV2 Dipole (uniform grid)/d=10mm, Pin=100mW, f=5800 MHz/Area Scan (91x91x1): Interpolated grid: dx=1.000 mm, dy=1.000 mm
Maximum value of SAR (interpolated) = 18.9 W/kg

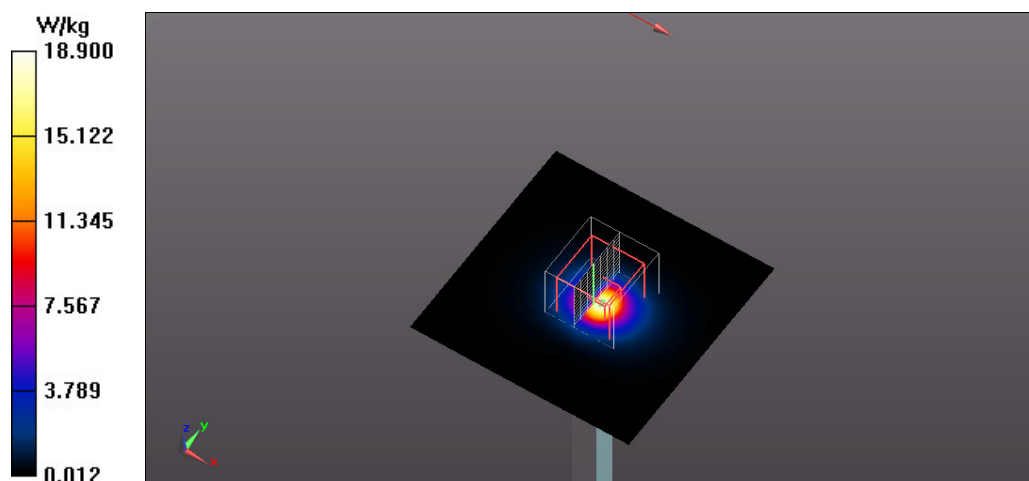
System Performance Check with D5GHzV2 Dipole (uniform grid)/d=10mm, Pin=100mW, f=5800 MHz/Zoom Scan (4x4x2mm, uniform), dist=1.4mm (8x8x13)/Cube 0: Measurement grid: dx=4mm, dy=4mm, dz=2mm

Reference Value = 52.846 V/m; Power Drift = 0.08dB

Peak SAR (extrapolated) = 34.3 W/kg

SAR(1 g) = 6.95 W/kg; SAR(10 g) = 1.94 W/kg

Maximum value of SAR (measured) = 17.2 W/kg



Test Laboratory: Eurofins Product Service GmbH

SystemPerformanceCheck-MSL 5500_06_08_2014

DUT: Dipole D5GHzV2; Type: D5GHzV2; Serial: D5GHzV2 - SN:xxx

Communication System: UID 0 - n/a, CW; Frequency: 5500 MHz; Duty Cycle: 1:1

Medium: MBBL 3-6 GHz Medium parameters used: $f = 5500$ MHz; $\sigma = 5.68$ S/m; $\epsilon_r = 46.7$; $\rho = 1000$ kg/m³

Phantom section: Flat Section

Measurement Standard: DASYS (IEEE/IEC/ANSI C63.19-2007)

DASY5.2 Configuration:

- Probe: EX3DV4 - SN3893; ConvF(4.27, 4.27, 4.27); Calibrated: 9/17/2013;
- Sensor-Surface: 1.4mm (Mechanical Surface Detection)
- Electronics: DAE3 Sn522; Calibrated: 9/11/2013
- Phantom: ELI v4.0; Type: QDOVA001BB; Serial: TP: 1013
- Measurement SW: DASYS2, Version 52.8 (6); SEMCAD X Version 14.6.9 (7117)

System Performance Check with D5GHzV2 Dipole (uniform grid)/d=10mm, Pin=100mW, f=5500 MHz/Area Scan (91x91x1): Interpolated grid: dx=1.000 mm, dy=1.000 mm
Maximum value of SAR (interpolated) = 19.7 W/kg

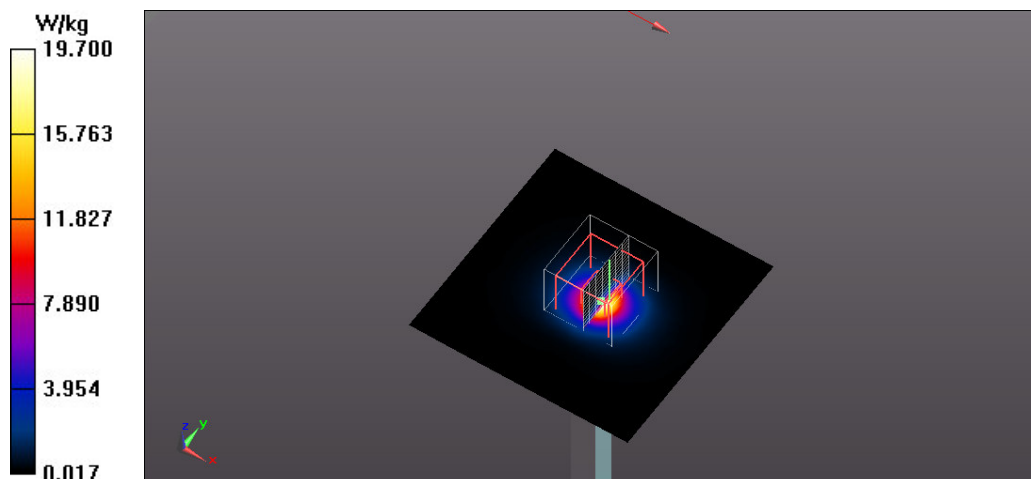
System Performance Check with D5GHzV2 Dipole (uniform grid)/d=10mm, Pin=100mW, f=5500 MHz/Zoom Scan (4x4x2mm, uniform), dist=1.4mm (8x8x13)/Cube 0: Measurement grid: dx=4mm, dy=4mm, dz=2mm

Reference Value = 55.026 V/m; Power Drift = 0.04 dB

Peak SAR (extrapolated) = 34.6 W/kg

SAR(1 g) = 7.43 W/kg; SAR(10 g) = 2.07 W/kg

Maximum value of SAR (measured) = 17.7 W/kg



Test Laboratory: Eurofins Product Service GmbH

SystemPerformanceCheck-MSL 5200_06_08_2014

DUT: Dipole D5GHzV2; Type: D5GHzV2; Serial: D5GHzV2 - SN:xxx

Communication System: UID 0 - n/a, CW; Frequency: 5200 MHz; Duty Cycle: 1:1

Medium: MBBL 3-6 GHz Medium parameters used: $f = 5200$ MHz; $\sigma = 5.3$ S/m; $\epsilon_r = 47.4$; $\rho = 1000$ kg/m³

Phantom section: Flat Section

Measurement Standard: DASYS (IEEE/IEC/ANSI C63.19-2007)

DASY5.2 Configuration:

- Probe: EX3DV4 - SN3893; ConvF(4.67, 4.67, 4.67); Calibrated: 9/17/2013;
- Sensor-Surface: 1.4mm (Mechanical Surface Detection)
- Electronics: DAE3 Sn522; Calibrated: 9/11/2013
- Phantom: ELI v4.0; Type: QDOVA001BB; Serial: TP: 1013
- Measurement SW: DASYS2, Version 52.8 (6); SEMCAD X Version 14.6.9 (7117)

System Performance Check with D5GHzV2 Dipole (uniform grid)/d=10mm, Pin=100mW, f=5200 MHz/Area Scan (91x91x1): Interpolated grid: dx=1.000 mm, dy=1.000 mm
Maximum value of SAR (interpolated) = 18.5 W/kg

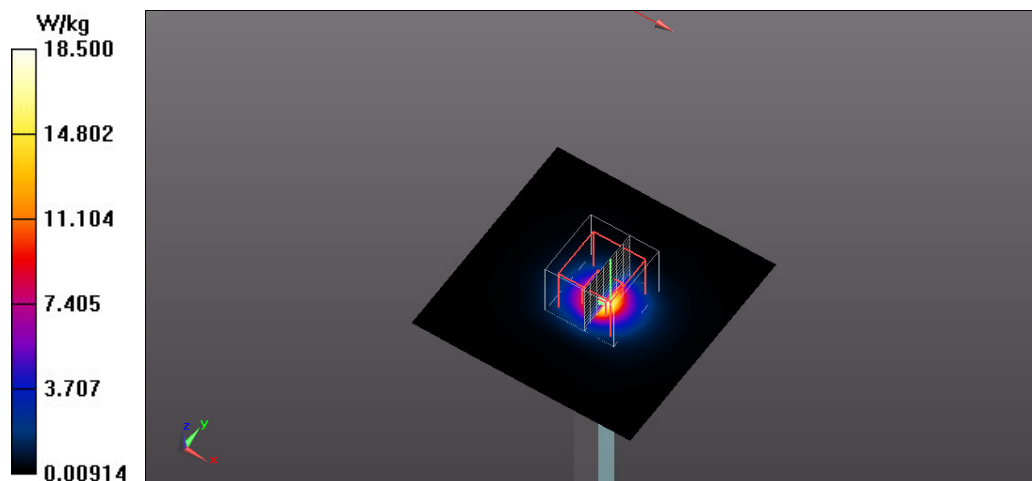
System Performance Check with D5GHzV2 Dipole (uniform grid)/d=10mm, Pin=100mW, f=5200 MHz/Zoom Scan (4x4x2mm, uniform), dist=1.4mm (8x8x13)/Cube 0: Measurement grid: dx=4mm, dy=4mm, dz=2mm

Reference Value = 57.406 V/m; Power Drift = 0.09 dB

Peak SAR (extrapolated) = 30.6 W/kg

SAR(1 g) = 7.26 W/kg; SAR(10 g) = 2.05 W/kg

Maximum value of SAR (measured) = 17.1 W/kg



Test Laboratory: Eurofins Product Service GmbH

SystemPerformanceCheck-2450MHz_04_08_2014

DUT: Dipole 2450 MHz; Type: D2450V2; Serial: 722

Communication System: UID 0 - n/a, CW; Frequency: 2450 MHz; Duty Cycle: 1:1
Medium: Muscle 2450 MHz Medium parameters used (interpolated): $f = 2450$ MHz; $\sigma = 2.022$ S/m; $\epsilon_r = 50.559$; $\rho = 1000$ kg/m³
Phantom section: Flat Section

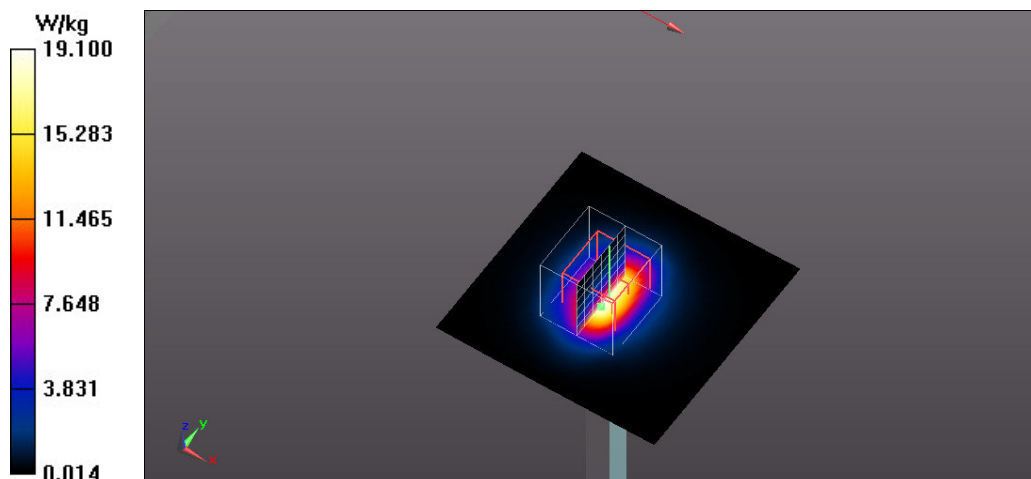
Measurement Standard: DASYS (IEEE/IEC/ANSI C63.19-2007)

DASY5.2 Configuration:

- Probe: ET3DV6 - SN1711; ConvF(4.05, 4.05, 4.05); Calibrated: 9/18/2013;
- Sensor-Surface: 4mm (Mechanical Surface Detection)
- Electronics: DAE3 Sn522; Calibrated: 9/11/2013
- Phantom: ELI v4.0; Type: QDOVA001BB; Serial: TP: 1013
- Measurement SW: DASYS2, Version 52.8 (6); SEMCAD X Version 14.6.9 (7117)

System Performance Check at Frequencies above 1 GHz/d=10mm, Pin=250 mW, dist=4.0mm (ET-Probe)/Area Scan (61x61x1): Interpolated grid: dx=1.500 mm, dy=1.500 mm
Maximum value of SAR (interpolated) = 19.1 W/kg

System Performance Check at Frequencies above 1 GHz/d=10mm, Pin=250 mW, dist=4.0mm (ET-Probe)/Zoom Scan (7x7x7) (7x7x7)/Cube 0: Measurement grid: dx=5mm, dy=5mm, dz=5mm
Reference Value = 94.254 V/m; Power Drift = -0.00 dB
Peak SAR (extrapolated) = 41.8 W/kg
SAR(1 g) = 14.05 W/kg; SAR(10 g) = 6.45 W/kg
Maximum value of SAR (measured) = 18.1 W/kg



Test Laboratory: Eurofins Product Service GmbH

System Performance Check - SAM Phantom - ET3DV6 - MSL - 1800 MHz

DUT: Dipole 1750 MHz (D1750V2); Type: SA AAD 175 AA; Serial: 1126

Communication System: UID 0 - n/a, CW; Frequency: 1750 MHz; Duty Cycle: 1:1

Medium: Muscle 1800 MHz Medium parameters used: $f = 1750$ MHz; $\sigma = 1.56$ S/m; $\epsilon_r = 53.244$; $\rho = 1000$ kg/m³

Phantom section: Flat Section

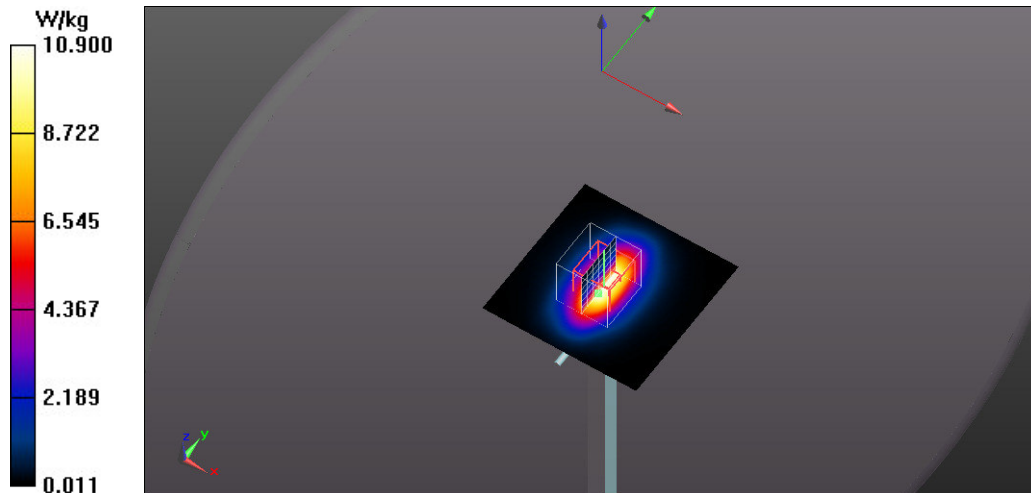
Measurement Standard: DASYS (IEEE/IEC/ANSI C63.19-2007)

DASY5.2 Configuration:

- Probe: ET3DV6 - SN1711; ConvF(4.74, 4.74, 4.74); Calibrated: 9/22/2014;
- Sensor-Surface: 4mm (Mechanical Surface Detection)
- Electronics: DAE3 Sn522; Calibrated: 9/17/2014
- Phantom: ELI v4.0; Type: QDOVA001BB; Serial: TP: 1013
- Measurement SW: DASYS2, Version 52.8 (6); SEMCAD X Version 14.6.9 (7117)

System Performance Check at Frequencies above 1 GHz/d=10mm, Pin=250 mW, dist=4.0mm (ET-Probe)/Area Scan (61x61x1): Interpolated grid: dx=1.500 mm, dy=1.500 mm
Maximum value of SAR (interpolated) = 10.9 W/kg

System Performance Check at Frequencies above 1 GHz/d=10mm, Pin=250 mW, dist=4.0mm (ET-Probe)/Zoom Scan (7x7x7) (7x7x7)/Cube 0: Measurement grid: dx=5mm, dy=5mm, dz=5mm
Reference Value = 86.975 V/m; Power Drift = -0.01 dB
Peak SAR (extrapolated) = 14.7 W/kg
SAR(1 g) = 9.15 W/kg; SAR(10 g) = 4.97 W/kg
Maximum value of SAR (measured) = 10.3 W/kg



Test Laboratory: Eurofins Product Service GmbH

System Performance Check - SAM Phantom - ET3DV6 - MSL - 750 MHz

DUT: Dipole 750 MHz; Type: D750V3; Serial: 1125

Communication System: UID 0 - n/a, CW; Frequency: 750 MHz; Duty Cycle: 1:1

Medium: Muscle 750 MHz Medium parameters used: $f = 750$ MHz; $\sigma = 0.963$ S/m; $\epsilon_r = 55.001$; $\rho = 1000$ kg/m³

Phantom section: Flat Section

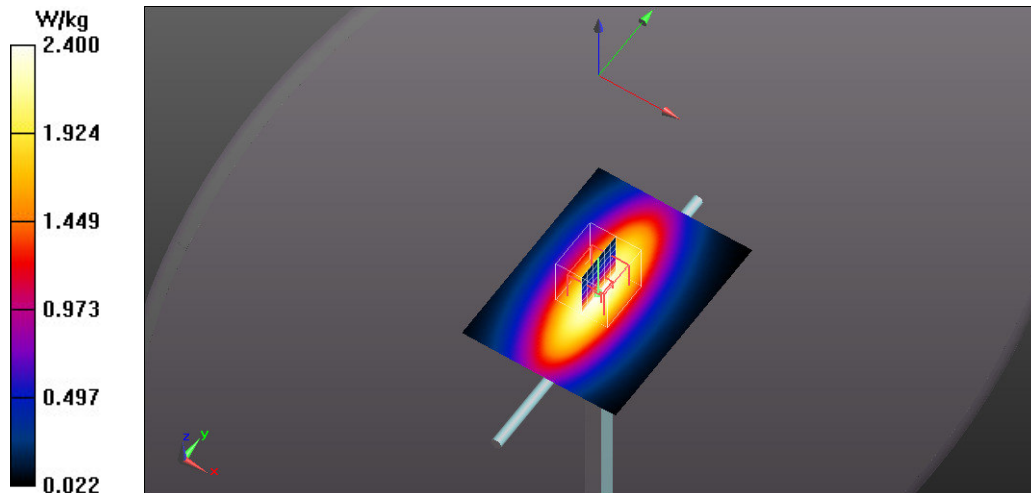
Measurement Standard: DASYS (IEEE/IEC/ANSI C63.19-2007)

DASY5.2 Configuration:

- Probe: ET3DV6 - SN1711; ConvF(6.26, 6.26, 6.26); Calibrated: 9/22/2014;
- Sensor-Surface: 4mm (Mechanical Surface Detection)
- Electronics: DAE3 Sn522; Calibrated: 9/17/2014
- Phantom: ELI v4.0; Type: QDOVA001BB; Serial: TP: 1013
- Measurement SW: DASY52, Version 52.8 (6); SEMCAD X Version 14.6.9 (7117)

System Performance Check at Frequencies below 1 GHz/d=15mm, Pin=250 mW, dist=4.0mm (ET-Probe)/Area Scan (61x81x1): Interpolated grid: dx=1.500 mm, dy=1.500 mm
Maximum value of SAR (interpolated) = 2.40 W/kg

System Performance Check at Frequencies below 1 GHz/d=15mm, Pin=250 mW, dist=4.0mm (ET-Probe)/Zoom Scan (7x7x7) (7x7x7)/Cube 0: Measurement grid: dx=5mm, dy=5mm, dz=5mm
Reference Value = 52.356 V/m; Power Drift = -0.03 dB
Peak SAR (extrapolated) = 3.21 W/kg
SAR(1 g) = 2.24 W/kg; SAR(10 g) = 1.49 W/kg
Maximum value of SAR (measured) = 2.44 W/kg



Test Laboratory: Eurofins Product Service GmbH

SystemPerformanceCheck-MSL1900 MHz_13_08_2014

DUT: Dipole 1900 MHz; Type: D1900V2; Serial: 5d025

Communication System: UID 0 - n/a, CW; Frequency: 1900 MHz;Duty Cycle: 1:1

Medium: Muscle 1900 MHz Medium parameters used: $f = 1900$ MHz; $\sigma = 1.464$ S/m; $\epsilon_r = 54.371$; $\rho = 1000$ kg/m³

Phantom section: Flat Section

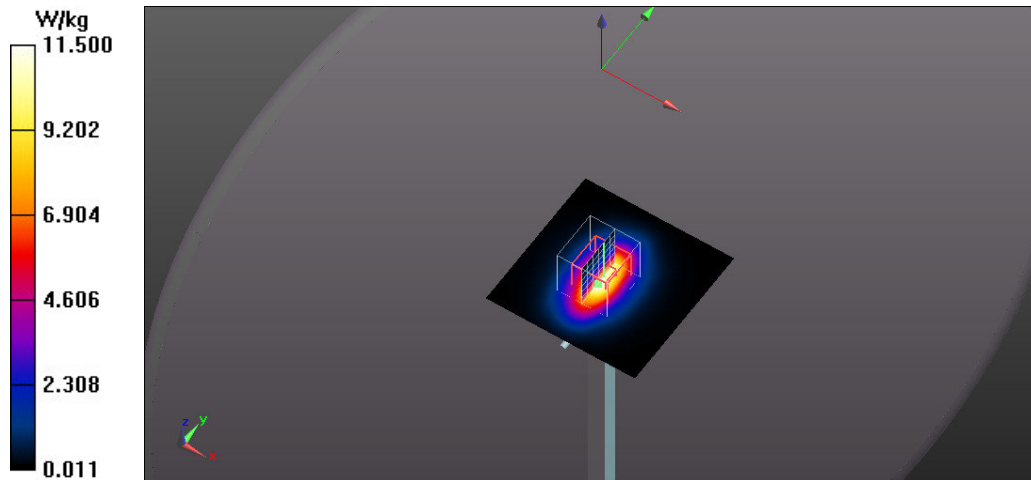
Measurement Standard: DASYS (IEEE/IEC/ANSI C63.19-2007)

DASY5.2 Configuration:

- Probe: ET3DV6 - SN1711; ConvF(4.69, 4.69, 4.69); Calibrated: 9/18/2013;
- Sensor-Surface: 4mm (Mechanical Surface Detection)
- Electronics: DAE3 Sn522; Calibrated: 9/11/2013
- Phantom: ELI v4.0; Type: QDOVA001BB; Serial: TP: 1013
- Measurement SW: DASYS2, Version 52.8 (6); SEMCAD X Version 14.6.9 (7117)

System Performance Check at Frequencies above 1 GHz/d=10mm, Pin=250 mW, dist=4.0mm (ET-Probe)/Area Scan (61x61x1): Interpolated grid: dx=1.500 mm, dy=1.500 mm
Maximum value of SAR (interpolated) = 11.5 W/kg

System Performance Check at Frequencies above 1 GHz/d=10mm, Pin=250 mW, dist=4.0mm (ET-Probe)/Zoom Scan (7x7x7) (7x7x7)/Cube 0: Measurement grid: dx=5mm, dy=5mm, dz=5mm
Reference Value = 89.841 V/m; Power Drift = 0.16 dB
Peak SAR (extrapolated) = 15.2 W/kg
SAR(1 g) = 9.46 W/kg; SAR(10 g) = 5.12 W/kg
Maximum value of SAR (measured) = 10.7 W/kg



Test Laboratory: Eurofins Product Service GmbH

SystemPerformanceCheck-MSL1900 MHz_12_08_2014

DUT: Dipole 1900 MHz; Type: D1900V2; Serial: 5d025

Communication System: UID 0 - n/a, CW; Frequency: 1900 MHz;Duty Cycle: 1:1

Medium: Muscle 1900 MHz Medium parameters used: $f = 1900$ MHz; $\sigma = 1.464$ S/m; $\epsilon_r = 54.371$; $\rho = 1000$ kg/m³

Phantom section: Flat Section

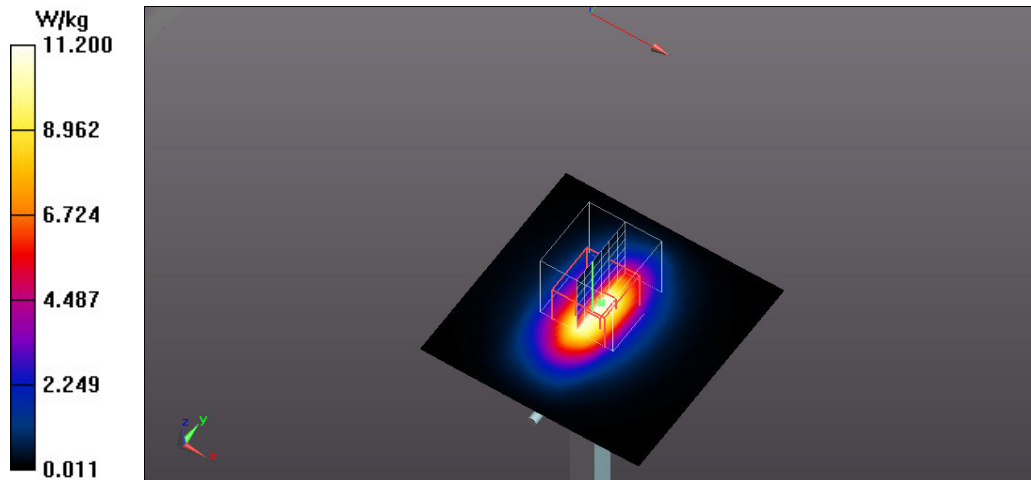
Measurement Standard: DASYS (IEEE/IEC/ANSI C63.19-2007)

DASY5.2 Configuration:

- Probe: ET3DV6 - SN1711; ConvF(4.69, 4.69, 4.69); Calibrated: 9/18/2013;
- Sensor-Surface: 4mm (Mechanical Surface Detection)
- Electronics: DAE3 Sn522; Calibrated: 9/11/2013
- Phantom: ELI v4.0; Type: QDOVA001BB; Serial: TP: 1013
- Measurement SW: DASYS2, Version 52.8 (6); SEMCAD X Version 14.6.9 (7117)

System Performance Check at Frequencies above 1 GHz/d=10mm, Pin=xx mW, dist=4.0mm (ET-Probe)/Area Scan (61x61x1): Interpolated grid: dx=1.500 mm, dy=1.500 mm
Maximum value of SAR (interpolated) = 11.2 W/kg

System Performance Check at Frequencies above 1 GHz/d=10mm, Pin=xx mW, dist=4.0mm (ET-Probe)/Zoom Scan (7x7x7) (7x7x7)/Cube 0: Measurement grid: dx=5mm, dy=5mm, dz=5mm
Reference Value = 90.340 V/m; Power Drift = 0.08 dB
Peak SAR (extrapolated) = 14.9 W/kg
SAR(1 g) = 9.24 W/kg; SAR(10 g) = 5.02 W/kg
Maximum value of SAR (measured) = 10.5 W/kg



Test Laboratory: Eurofins Product Service GmbH

SystemPerformanceCheck-MSL900 MHz_11_08_2014

DUT: Dipole 900 MHz; Type: D900V2; Serial: 164

Communication System: UID 0 - n/a, CW; Frequency: 900 MHz;Duty Cycle: 1:1

Medium: Muscle 900 MHz Medium parameters used: $f = 900$ MHz; $\sigma = 1.03$ S/m; $\epsilon_r = 54.419$; $\rho = 1000$ kg/m³

Phantom section: Flat Section

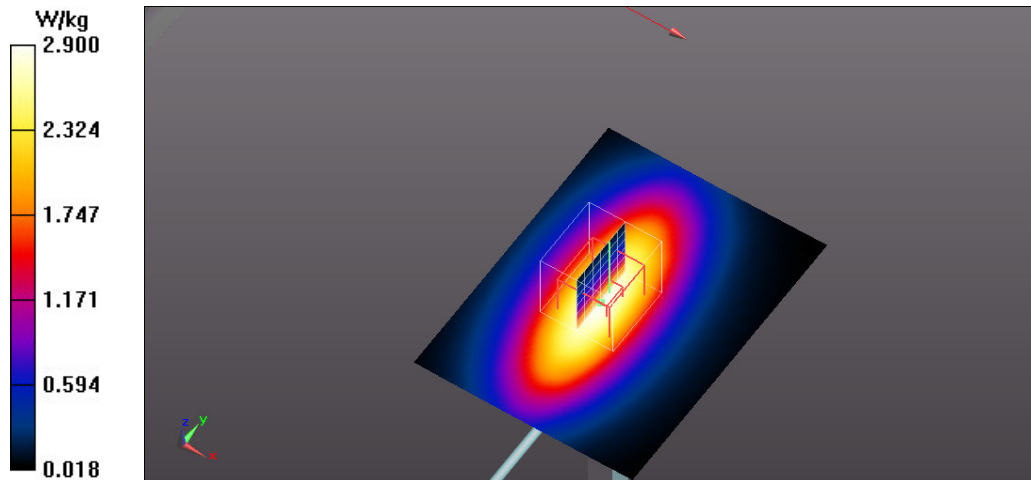
Measurement Standard: DASYS (IEEE/IEC/ANSI C63.19-2007)

DASY5.2 Configuration:

- Probe: ET3DV6 - SN1711; ConvF(5.99, 5.99, 5.99); Calibrated: 9/18/2013;
- Sensor-Surface: 4mm (Mechanical Surface Detection)
- Electronics: DAE3 Sn522; Calibrated: 9/11/2013
- Phantom: ELI v4.0; Type: QDOVA001BB; Serial: TP: 1013
- Measurement SW: DASYS, Version 52.8 (6); SEMCAD X Version 14.6.9 (7117)

System Performance Check at Frequencies below 1 GHz/d=15mm, Pin=250 mW, dist=4.0mm (ET-Probe)/Area Scan (61x81x1): Interpolated grid: dx=1.500 mm, dy=1.500 mm
Maximum value of SAR (interpolated) = 2.90 W/kg

System Performance Check at Frequencies below 1 GHz/d=15mm, Pin=250 mW, dist=4.0mm (ET-Probe)/Zoom Scan (7x7x7) (7x7x7)/Cube 0: Measurement grid: dx=5mm, dy=5mm, dz=5mm
Reference Value = 55.309 V/m; Power Drift = 0.06 dB
Peak SAR (extrapolated) = 3.88 W/kg
SAR(1 g) = 2.71 W/kg; SAR(10 g) = 1.77 W/kg
Maximum value of SAR (measured) = 2.93 W/kg



Test Laboratory: Eurofins Product Service GmbH

SystemPerformanceCheck-MSL900 MHz_08_08_2014

DUT: Dipole 900 MHz; Type: D900V2; Serial: 164

Communication System: UID 0 - n/a, CW; Frequency: 900 MHz; Duty Cycle: 1:1

Medium: Muscle 900 MHz Medium parameters used: $f = 900$ MHz; $\sigma = 1.03$ S/m; $\epsilon_r = 54.419$; $\rho = 1000$ kg/m³

Phantom section: Flat Section

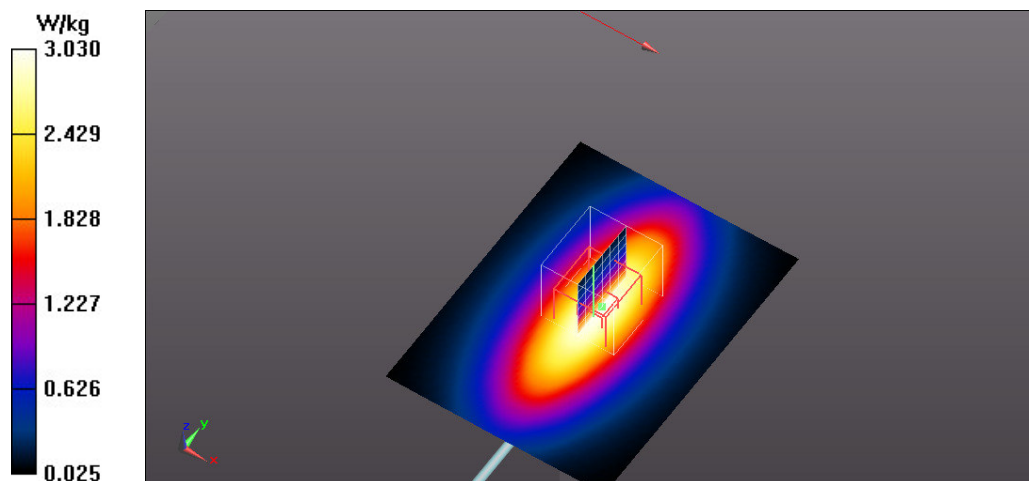
Measurement Standard: DASYS (IEEE/IEC/ANSI C63.19-2007)

DASY5.2 Configuration:

- Probe: ET3DV6 - SN1711; ConvF(5.99, 5.99, 5.99); Calibrated: 9/18/2013;
- Sensor-Surface: 4mm (Mechanical Surface Detection)
- Electronics: DAE3 Sn522; Calibrated: 9/11/2013
- Phantom: ELI v4.0; Type: QDOVA001BB; Serial: TP: 1013
- Measurement SW: DASYS, Version 52.8 (6); SEMCAD X Version 14.6.9 (7117)

System Performance Check at Frequencies below 1 GHz/d=15mm, Pin=xx mW, dist=4.0mm (ET-Probe)/Area Scan (61x81x1): Interpolated grid: dx=1.500 mm, dy=1.500 mm
Maximum value of SAR (interpolated) = 3.03 W/kg

System Performance Check at Frequencies below 1 GHz/d=15mm, Pin=xx mW, dist=4.0mm (ET-Probe)/Zoom Scan (7x7x7) (7x7x7)/Cube 0: Measurement grid: dx=5mm, dy=5mm, dz=5mm
Reference Value = 54.585 V/m; Power Drift = -0.03 dB
Peak SAR (extrapolated) = 4.02 W/kg
SAR(1 g) = 2.8 W/kg; SAR(10 g) = 1.83 W/kg
Maximum value of SAR (measured) = 3.05 W/kg



Test Laboratory: Eurofins Product Service GmbH

SystemPerformanceCheck-MSL900 MHz_14_08_2014

DUT: Dipole 900 MHz; Type: D900V2; Serial: 164

Communication System: UID 0 - n/a, CW; Frequency: 900 MHz; Duty Cycle: 1:1

Medium: Muscle 900 MHz Medium parameters used: $f = 900$ MHz; $\sigma = 1.03$ S/m; $\epsilon_r = 54.419$; $\rho = 1000$ kg/m³

Phantom section: Flat Section

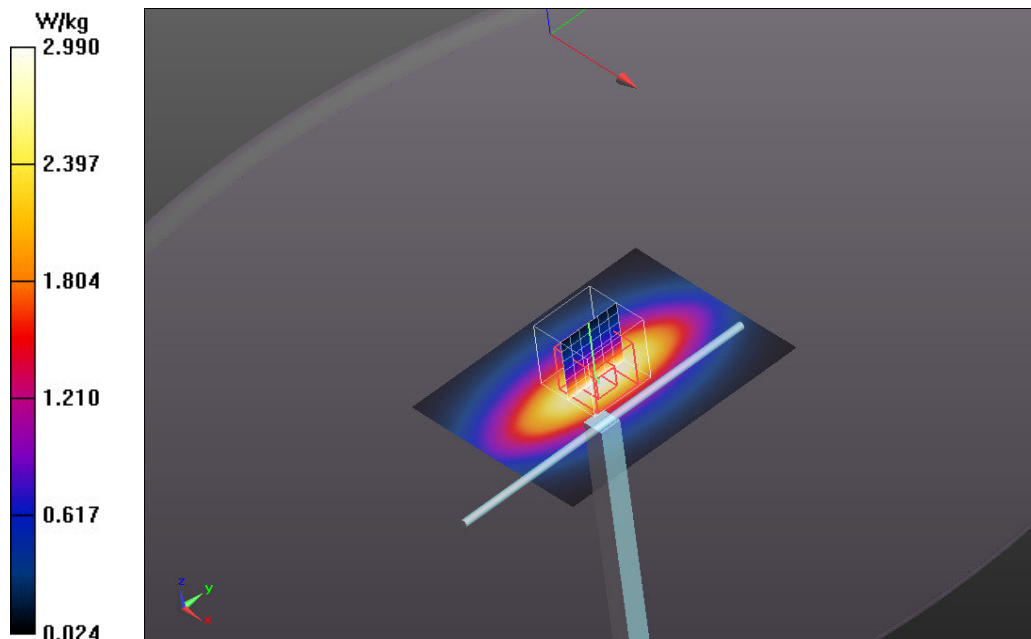
Measurement Standard: DASYS (IEEE/IEC/ANSI C63.19-2007)

DASY5.2 Configuration:

- Probe: ET3DV6 - SN1711; ConvF(5.99, 5.99, 5.99); Calibrated: 9/18/2013;
- Sensor-Surface: 4mm (Mechanical Surface Detection)
- Electronics: DAE3 Sn522; Calibrated: 9/11/2013
- Phantom: ELI v4.0; Type: QDOVA001BB; Serial: TP: 1013
- Measurement SW: DASY52, Version 52.8 (6); SEMCAD X Version 14.6.9 (7117)

System Performance Check at Frequencies below 1 GHz/d=15mm, Pin=250 mW, dist=4.0mm (ET-Probe)/Area Scan (61x81x1): Interpolated grid: dx=1.500 mm, dy=1.500 mm
Maximum value of SAR (interpolated) = 2.99 W/kg

System Performance Check at Frequencies below 1 GHz/d=15mm, Pin=250 mW, dist=4.0mm (ET-Probe)/Zoom Scan (7x7x7) (7x7x7)/Cube 0: Measurement grid: dx=5mm, dy=5mm, dz=5mm
Reference Value = 54.980 V/m; Power Drift = 0.05 dB
Peak SAR (extrapolated) = 4.00 W/kg
SAR(1 g) = 2.78 W/kg; SAR(10 g) = 1.82 W/kg
Maximum value of SAR (measured) = 3.04 W/kg



Test Laboratory: Eurofins Product Service GmbH

SystemPerformanceCheck-MSL 5800_06_08_2014

DUT: Dipole D5GHzV2; Type: D5GHzV2; Serial: D5GHzV2 - SN:xxx

Communication System: UID 0 - n/a, CW; Frequency: 5800 MHz; Duty Cycle: 1:1

Medium: MBBL 3-6 GHz Medium parameters used: $f = 5800$ MHz; $\sigma = 6.07$ S/m; $\epsilon_r = 46$; $\rho = 1000$ kg/m³

Phantom section: Flat Section

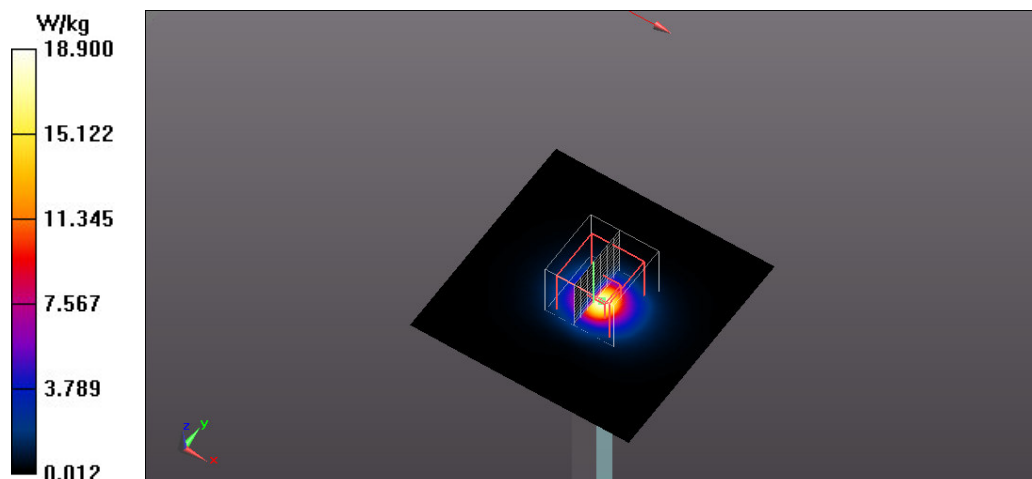
Measurement Standard: DASYS (IEEE/IEC/ANSI C63.19-2007)

DASY5.2 Configuration:

- Probe: EX3DV4 - SN3893; ConvF(4.38, 4.38, 4.38); Calibrated: 9/17/2013;
- Sensor-Surface: 1.4mm (Mechanical Surface Detection)
- Electronics: DAE3 Sn522; Calibrated: 9/11/2013
- Phantom: ELI v4.0; Type: QDOVA001BB; Serial: TP: 1013
- Measurement SW: DASYS2, Version 52.8 (6); SEMCAD X Version 14.6.9 (7117)

System Performance Check with D5GHzV2 Dipole (uniform grid)/d=10mm, Pin=100mW, f=5800 MHz/Area Scan (91x91x1): Interpolated grid: dx=1.000 mm, dy=1.000 mm
Maximum value of SAR (interpolated) = 18.9 W/kg

System Performance Check with D5GHzV2 Dipole (uniform grid)/d=10mm, Pin=100mW, f=5800 MHz/Zoom Scan (4x4x2mm, uniform), dist=1.4mm (8x8x13)/Cube 0: Measurement grid: dx=4mm, dy=4mm, dz=2mm
Reference Value = 52.846 V/m; Power Drift = 0.08dB
Peak SAR (extrapolated) = 34.3 W/kg
SAR(1 g) = 6.95 W/kg; SAR(10 g) = 1.94 W/kg
Maximum value of SAR (measured) = 17.2 W/kg



Test Laboratory: Eurofins Product Service GmbH

SystemPerformanceCheck-MSL 5500_06_08_2014

DUT: Dipole D5GHzV2; Type: D5GHzV2; Serial: D5GHzV2 - SN:xxx

Communication System: UID 0 - n/a, CW; Frequency: 5500 MHz; Duty Cycle: 1:1

Medium: MBBL 3-6 GHz Medium parameters used: $f = 5500$ MHz; $\sigma = 5.68$ S/m; $\epsilon_r = 46.7$; $\rho = 1000$ kg/m³

Phantom section: Flat Section

Measurement Standard: DASYS (IEEE/IEC/ANSI C63.19-2007)

DASY5.2 Configuration:

- Probe: EX3DV4 - SN3893; ConvF(4.27, 4.27, 4.27); Calibrated: 9/17/2013;
- Sensor-Surface: 1.4mm (Mechanical Surface Detection)
- Electronics: DAE3 Sn522; Calibrated: 9/11/2013
- Phantom: ELI v4.0; Type: QDOVA001BB; Serial: TP: 1013
- Measurement SW: DASYS2, Version 52.8 (6); SEMCAD X Version 14.6.9 (7117)

System Performance Check with D5GHzV2 Dipole (uniform grid)/d=10mm, Pin=100mW, f=5500 MHz/Area Scan (91x91x1): Interpolated grid: dx=1.000 mm, dy=1.000 mm
Maximum value of SAR (interpolated) = 19.7 W/kg

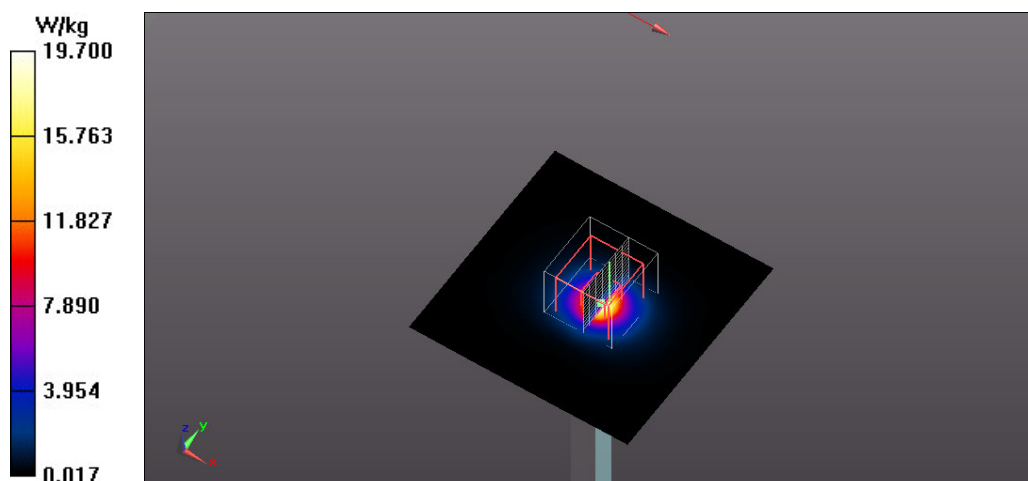
System Performance Check with D5GHzV2 Dipole (uniform grid)/d=10mm, Pin=100mW, f=5500 MHz/Zoom Scan (4x4x2mm, uniform), dist=1.4mm (8x8x13)/Cube 0: Measurement grid: dx=4mm, dy=4mm, dz=2mm

Reference Value = 55.026 V/m; Power Drift = 0.04 dB

Peak SAR (extrapolated) = 34.6 W/kg

SAR(1 g) = 7.43 W/kg; SAR(10 g) = 2.07 W/kg

Maximum value of SAR (measured) = 17.7 W/kg



Test Laboratory: Eurofins Product Service GmbH

SystemPerformanceCheck-MSL 5200_06_08_2014

DUT: Dipole D5GHzV2; Type: D5GHzV2; Serial: D5GHzV2 - SN:xxx

Communication System: UID 0 - n/a, CW; Frequency: 5200 MHz; Duty Cycle: 1:1

Medium: MBBL 3-6 GHz Medium parameters used: $f = 5200$ MHz; $\sigma = 5.3$ S/m; $\epsilon_r = 47.4$; $\rho = 1000$ kg/m³

Phantom section: Flat Section

Measurement Standard: DASYS (IEEE/IEC/ANSI C63.19-2007)

DASY5.2 Configuration:

- Probe: EX3DV4 - SN3893; ConvF(4.67, 4.67, 4.67); Calibrated: 9/17/2013;
- Sensor-Surface: 1.4mm (Mechanical Surface Detection)
- Electronics: DAE3 Sn522; Calibrated: 9/11/2013
- Phantom: ELI v4.0; Type: QDOVA001BB; Serial: TP: 1013
- Measurement SW: DASYS2, Version 52.8 (6); SEMCAD X Version 14.6.9 (7117)

System Performance Check with D5GHzV2 Dipole (uniform grid)/d=10mm, Pin=100mW, f=5200

MHz/Area Scan (91x91x1): Interpolated grid: dx=1.000 mm, dy=1.000 mm

Maximum value of SAR (interpolated) = 18.5 W/kg

System Performance Check with D5GHzV2 Dipole (uniform grid)/d=10mm, Pin=100mW, f=5200

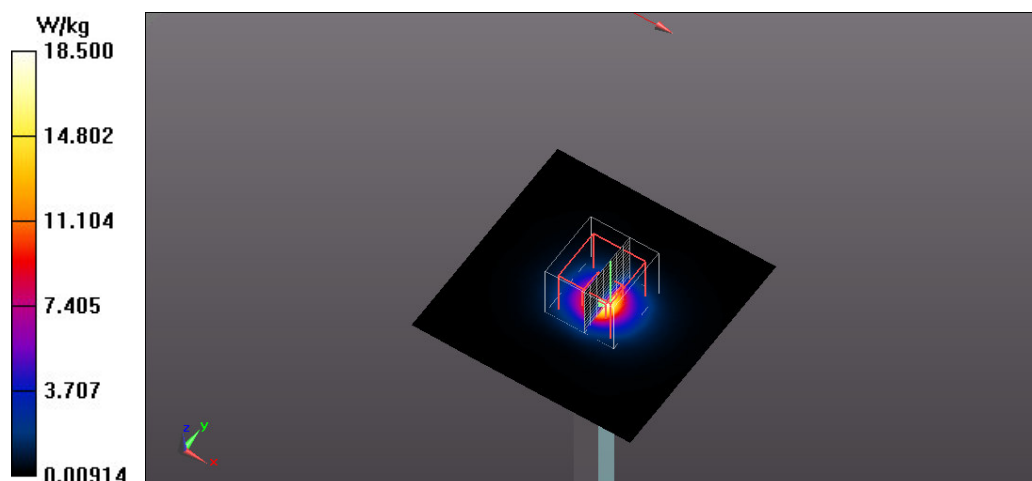
MHz/Zoom Scan (4x4x2mm, uniform), dist=1.4mm (8x8x13)/Cube 0: Measurement grid: dx=4mm, dy=4mm, dz=2mm

Reference Value = 57.406 V/m; Power Drift = 0.09 dB

Peak SAR (extrapolated) = 30.6 W/kg

SAR(1 g) = 7.26 W/kg; SAR(10 g) = 2.05 W/kg

Maximum value of SAR (measured) = 17.1 W/kg



Test Laboratory: Eurofins Product Service GmbH

SystemPerformanceCheck-2450MHz_04_08_2014

DUT: Dipole 2450 MHz; Type: D2450V2; Serial: 722

Communication System: UID 0 - n/a, CW; Frequency: 2450 MHz; Duty Cycle: 1:1
Medium: Muscle 2450 MHz Medium parameters used (interpolated): $f = 2450$ MHz; $\sigma = 2.022$ S/m; $\epsilon_r = 50.559$; $\rho = 1000$ kg/m³
Phantom section: Flat Section

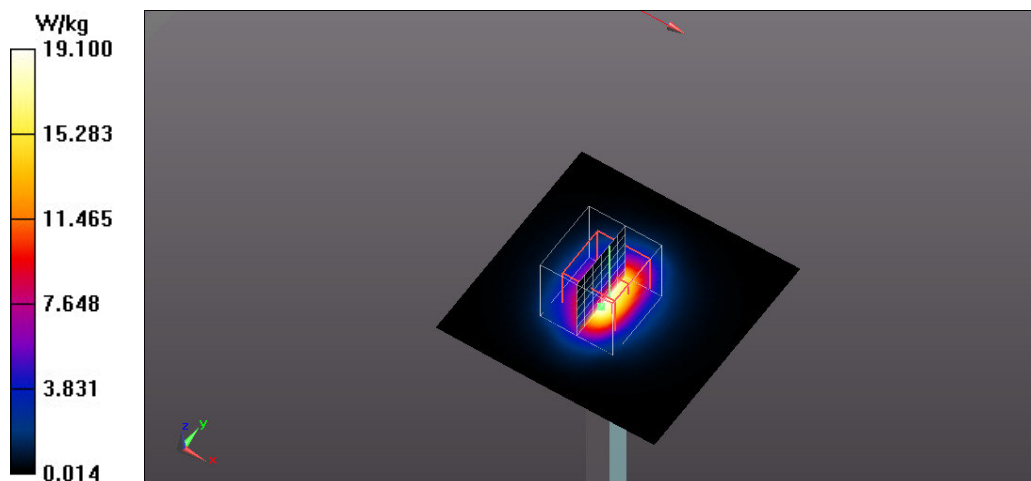
Measurement Standard: DASYS (IEEE/IEC/ANSI C63.19-2007)

DASY5.2 Configuration:

- Probe: ET3DV6 - SN1711; ConvF(4.05, 4.05, 4.05); Calibrated: 9/18/2013;
- Sensor-Surface: 4mm (Mechanical Surface Detection)
- Electronics: DAE3 Sn522; Calibrated: 9/11/2013
- Phantom: ELI v4.0; Type: QDOVA001BB; Serial: TP: 1013
- Measurement SW: DASYS2, Version 52.8 (6); SEMCAD X Version 14.6.9 (7117)

System Performance Check at Frequencies above 1 GHz/d=10mm, Pin=250 mW, dist=4.0mm (ET-Probe)/Area Scan (61x61x1): Interpolated grid: dx=1.500 mm, dy=1.500 mm
Maximum value of SAR (interpolated) = 19.1 W/kg

System Performance Check at Frequencies above 1 GHz/d=10mm, Pin=250 mW, dist=4.0mm (ET-Probe)/Zoom Scan (7x7x7) (7x7x7)/Cube 0: Measurement grid: dx=5mm, dy=5mm, dz=5mm
Reference Value = 94.254 V/m; Power Drift = -0.00 dB
Peak SAR (extrapolated) = 41.8 W/kg
SAR(1 g) = 14.05 W/kg; SAR(10 g) = 6.45 W/kg
Maximum value of SAR (measured) = 18.1 W/kg



Test Laboratory: Eurofins Product Service GmbH

System Performance Check - SAM Phantom - ET3DV6 - MSL - 1800 MHz

DUT: Dipole 1750 MHz (D1750V2); Type: SA AAD 175 AA; Serial: 1126

Communication System: UID 0 - n/a, CW; Frequency: 1750 MHz; Duty Cycle: 1:1

Medium: Muscle 1800 MHz Medium parameters used: $f = 1750$ MHz; $\sigma = 1.56$ S/m; $\epsilon_r = 53.244$; $\rho = 1000$ kg/m³

Phantom section: Flat Section

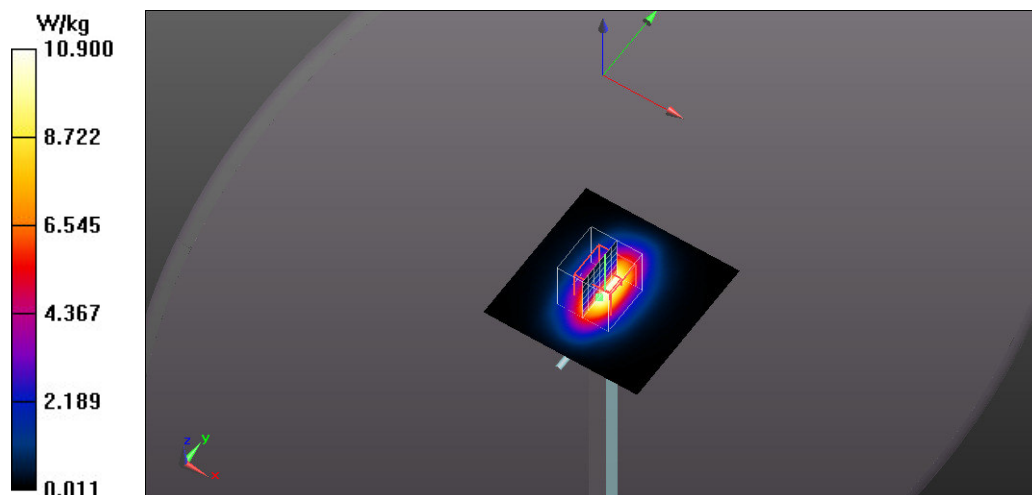
Measurement Standard: DASYS (IEEE/IEC/ANSI C63.19-2007)

DASY5.2 Configuration:

- Probe: ET3DV6 - SN1711; ConvF(4.74, 4.74, 4.74); Calibrated: 9/22/2014;
- Sensor-Surface: 4mm (Mechanical Surface Detection)
- Electronics: DAE3 Sn522; Calibrated: 9/17/2014
- Phantom: ELI v4.0; Type: QDOVA001BB; Serial: TP: 1013
- Measurement SW: DASYS2, Version 52.8 (6); SEMCAD X Version 14.6.9 (7117)

System Performance Check at Frequencies above 1 GHz/d=10mm, Pin=250 mW, dist=4.0mm (ET-Probe)/Area Scan (61x61x1): Interpolated grid: dx=1.500 mm, dy=1.500 mm
Maximum value of SAR (interpolated) = 10.9 W/kg

System Performance Check at Frequencies above 1 GHz/d=10mm, Pin=250 mW, dist=4.0mm (ET-Probe)/Zoom Scan (7x7x7) (7x7x7)/Cube 0: Measurement grid: dx=5mm, dy=5mm, dz=5mm
Reference Value = 86.975 V/m; Power Drift = -0.01 dB
Peak SAR (extrapolated) = 14.7 W/kg
SAR(1 g) = 9.15 W/kg; SAR(10 g) = 4.97 W/kg
Maximum value of SAR (measured) = 10.3 W/kg



Test Laboratory: Eurofins Product Service GmbH

System Performance Check - SAM Phantom - ET3DV6 - MSL - 750 MHz

DUT: Dipole 750 MHz; Type: D750V3; Serial: 1125

Communication System: UID 0 - n/a, CW; Frequency: 750 MHz; Duty Cycle: 1:1

Medium: Muscle 750 MHz Medium parameters used: $f = 750 \text{ MHz}$; $\sigma = 0.963 \text{ S/m}$; $\epsilon_r = 55.001$; $\rho = 1000 \text{ kg/m}^3$

Phantom section: Flat Section

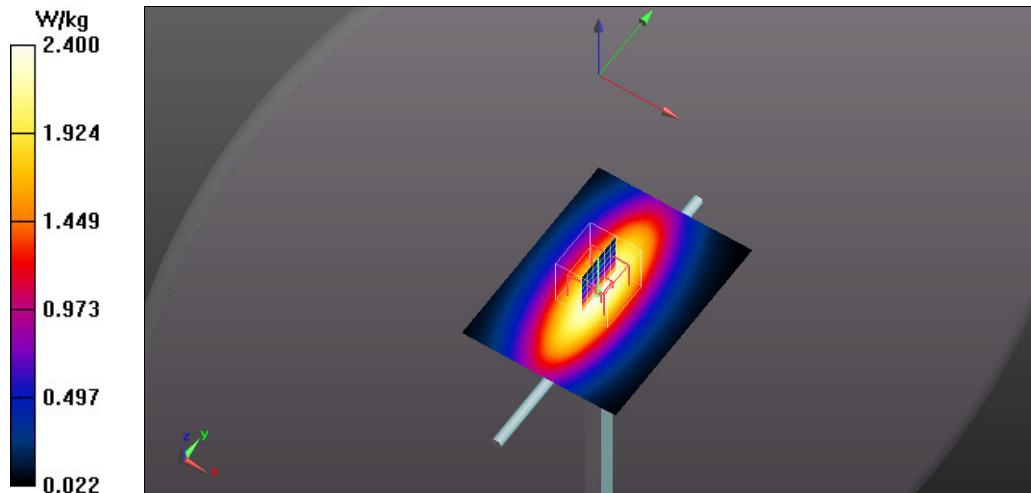
Measurement Standard: DASYS (IEEE/IEC/ANSI C63.19-2007)

DASY5.2 Configuration:

- Probe: ET3DV6 - SN1711; ConvF(6.26, 6.26, 6.26); Calibrated: 9/22/2014;
- Sensor-Surface: 4mm (Mechanical Surface Detection)
- Electronics: DAE3 Sn522; Calibrated: 9/17/2014
- Phantom: ELI v4.0; Type: QDOVA001BB; Serial: TP: 1013
- Measurement SW: DASYS2, Version 52.8 (6); SEMCAD X Version 14.6.9 (7117)

System Performance Check at Frequencies below 1 GHz/d=15mm, Pin=250 mW, dist=4.0mm (ET-Probe)/Area Scan (61x81x1): Interpolated grid: dx=1.500 mm, dy=1.500 mm
Maximum value of SAR (interpolated) = 2.40 W/kg

System Performance Check at Frequencies below 1 GHz/d=15mm, Pin=250 mW, dist=4.0mm (ET-Probe)/Zoom Scan (7x7x7) (7x7x7)/Cube 0: Measurement grid: dx=5mm, dy=5mm, dz=5mm
Reference Value = 52.356 V/m; Power Drift = -0.03 dB
Peak SAR (extrapolated) = 3.21 W/kg
SAR(1 g) = 2.24 W/kg; SAR(10 g) = 1.49 W/kg
Maximum value of SAR (measured) = 2.44 W/kg



ANNEX D SAR Measurement Reports

Test Laboratory: Eurofins Product Service GmbH

GPRS 1900 Ch 661 3TX top 0mm

DUT: Tablet PC / Aava Mobile; Type: INARI10-LTBN-1; Serial: -

Communication System: UID 0 - n/a, GPRS 1900 3xSlot; Frequency: 1880 MHz; Duty Cycle: 1:2.18776

Medium: Muscle 1900 MHz Medium parameters used: $f = 1880$ MHz; $\sigma = 1.461$ S/m; $\epsilon_r = 54.42$; $\rho = 1000$ kg/m³

Phantom section: Flat Section

Measurement Standard: DASYS (IEEE/IEC/ANSI C63.19-2007)

DASY5.2 Configuration:

- Probe: ET3DV6 - SN1711; ConvF(4.69, 4.69, 4.69); Calibrated: 9/18/2013;
- Sensor-Surface: 4mm (Mechanical Surface Detection)
- Electronics: DAE3 Sn522; Calibrated: 9/11/2013
- Phantom: ELI v4.0; Type: QDOVA001BB; Serial: TP: 1013
- Measurement SW: DASYS2, Version 52.8 (6); SEMCAD X Version 14.6.9 (7117)

Flat-Section MSL/Flat Section 0mm/Area Scan (141x101x1): Interpolated grid: dx=1.000 mm, dy=1.000 mm
Maximum value of SAR (interpolated) = 0.586 W/kg

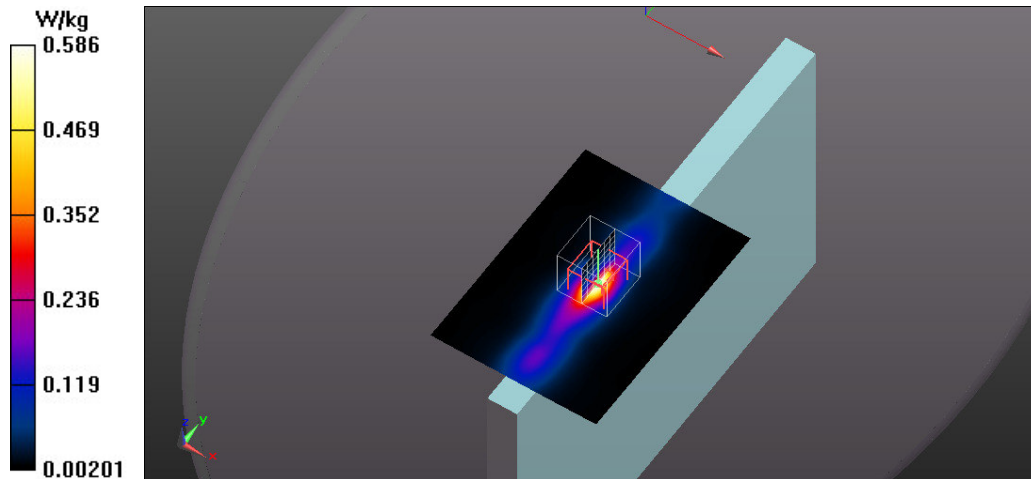
Flat-Section MSL/Flat Section 0mm/Zoom Scan (7x7x7)/Cube 0: Measurement grid: dx=5mm, dy=5mm, dz=5mm

Reference Value = 7.840 V/m; Power Drift = -0.09 dB

Peak SAR (extrapolated) = 1.11 W/kg

SAR(1 g) = 0.461 W/kg; SAR(10 g) = 0.196 W/kg

Maximum value of SAR (measured) = 0.553 W/kg



Test Laboratory: Eurofins Product Service GmbH

GPRS 850 Ch 190 3TX back 0mm

DUT: Tablet PC / Aava Mobile; Type: INARI10-LTBN-1; Serial: -

Communication System: UID 0 - n/a, GPRS 850 3xSlot; Frequency: 836.6 MHz; Duty Cycle: 1:2.18776
Medium: Muscle 900 MHz Medium parameters used (interpolated): $f = 836.6$ MHz; $\sigma = 0.954$ S/m; $\epsilon_r = 55.294$; $\rho = 1000$ kg/m³
Phantom section: Flat Section

Measurement Standard: DASYS (IEEE/IEC/ANSI C63.19-2007)

DASY5.2 Configuration:

- Probe: ET3DV6 - SN1711; ConvF(5.99, 5.99, 5.99); Calibrated: 9/18/2013;
- Sensor-Surface: 4mm (Mechanical Surface Detection)
- Electronics: DAE3 Sn522; Calibrated: 9/11/2013
- Phantom: ELI v4.0; Type: QDOVA001BB; Serial: TP: 1013
- Measurement SW: DASYS2, Version 52.8 (6); SEMCAD X Version 14.6.9 (7117)

Flat-Section MSL/Flat Section 0mm/Area Scan (141x101x1): Interpolated grid: dx=1.000 mm, dy=1.000 mm
Maximum value of SAR (interpolated) = 0.640 W/kg

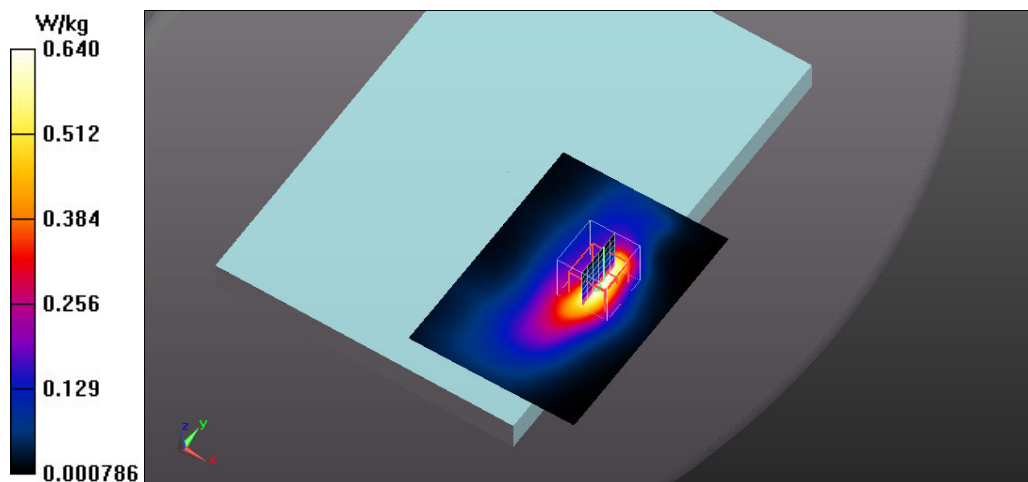
Flat-Section MSL/Flat Section 0mm/Zoom Scan (7x7x7)/Cube 0: Measurement grid: dx=5mm, dy=5mm, dz=5mm

Reference Value = 2.599 V/m; Power Drift = 0.06 dB

Peak SAR (extrapolated) = 1.59 W/kg

SAR(1 g) = 0.599 W/kg; SAR(10 g) = 0.287 W/kg

Maximum value of SAR (measured) = 0.677 W/kg



Test Laboratory: Eurofins Product Service GmbH

FDDIV Ch 1413 12.2 kbps top 0mm

DUT: Tablet PC / Aava Mobile; Type: INARI10-LTBN-1; Serial: -

Communication System: UID 0 - n/a, UMTS FDD IV; Frequency: 1732.6 MHz; Duty Cycle: 1:2.18776
Medium: Muscle 1800 MHz Medium parameters used (interpolated): $f = 1732.6$ MHz; $\sigma = 1.555$ S/m; $\epsilon_r = 53.201$; $\rho = 1000$ kg/m³
Phantom section: Flat Section

Measurement Standard: DASYS (IEEE/IEC/ANSI C63.19-2007)

DASY5.2 Configuration:

- Probe: ET3DV6 - SN1711; ConvF(4.74, 4.74, 4.74); Calibrated: 9/22/2014;
- Sensor-Surface: 4mm (Mechanical Surface Detection)
- Electronics: DAE3 Sn522; Calibrated: 9/17/2014
- Phantom: ELI v4.0; Type: QDOVA001BB; Serial: TP: 1013
- Measurement SW: DASYS2, Version 52.8 (6); SEMCAD X Version 14.6.9 (7117)

Flat-Section MSL/Flat Section 0mm/Area Scan (141x101x1): Interpolated grid: dx=1.000 mm, dy=1.000 mm
Maximum value of SAR (interpolated) = 0.834 W/kg

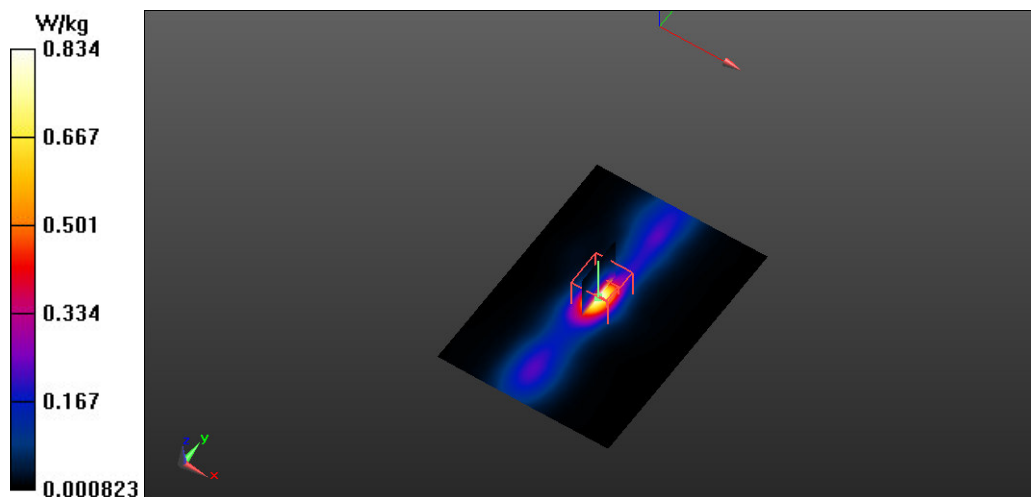
Flat-Section MSL/Flat Section 0mm/Zoom Scan (7x7x7)/Cube 0: Measurement grid: dx=5mm, dy=5mm, dz=5mm

Reference Value = 13.133 V/m; Power Drift = -0.08 dB

Peak SAR (extrapolated) = 1.86 W/kg

SAR(1 g) = 0.676 W/kg; SAR(10 g) = 0.259 W/kg

Maximum value of SAR (measured) = 0.786 W/kg



Test Laboratory: Eurofins Product Service GmbH

FDD II Ch 9400 12.2kbps top 0mm

DUT: Tablet PC / Aava Mobile; Type: INARI10-LTBN-1; Serial: -

Communication System: UID 0 - n/a, UMTS FDD II; Frequency: 1880 MHz; Duty Cycle: 1:2.18776

Medium: Muscle 1900 MHz Medium parameters used: $f = 1880$ MHz; $\sigma = 1.461$ S/m; $\epsilon_r = 54.42$; $\rho = 1000$ kg/m³

Phantom section: Flat Section

Measurement Standard: DASYS (IEEE/IEC/ANSI C63.19-2007)

DASY5.2 Configuration:

- Probe: ET3DV6 - SN1711; ConvF(4.69, 4.69, 4.69); Calibrated: 9/18/2013;
- Sensor-Surface: 4mm (Mechanical Surface Detection)
- Electronics: DAE3 Sn522; Calibrated: 9/11/2013
- Phantom: ELI v4.0; Type: QDOVA001BB; Serial: TP: 1013
- Measurement SW: DASY52, Version 52.8 (6); SEMCAD X Version 14.6.9 (7117)

Flat-Section MSL/Flat Section 0mm/Area Scan (141x101x1): Interpolated grid: dx=1.000 mm, dy=1.000 mm
Maximum value of SAR (interpolated) = 0.910 W/kg

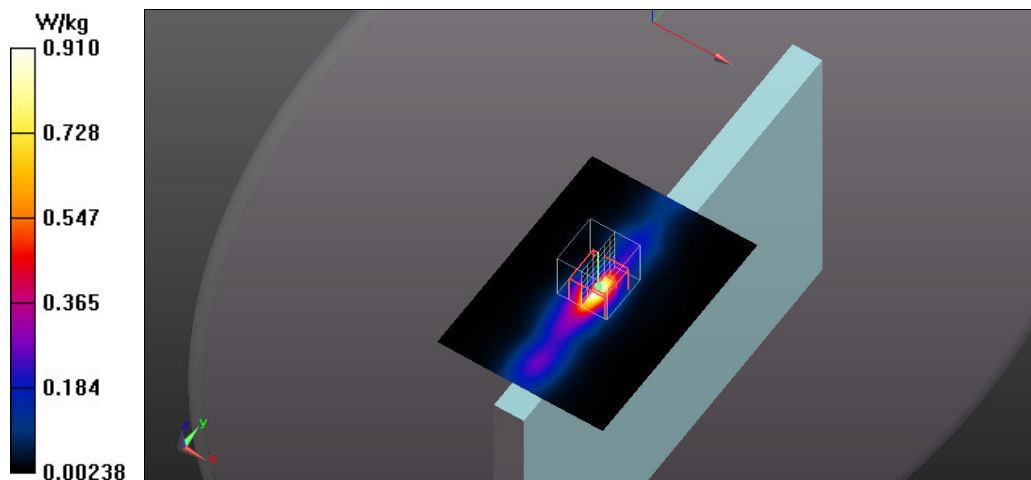
Flat-Section MSL/Flat Section 0mm/Zoom Scan (7x7x7)/Cube 0: Measurement grid: dx=5mm, dy=5mm, dz=5mm

Reference Value = 9.106 V/m; Power Drift = -0.01 dB

Peak SAR (extrapolated) = 1.77 W/kg

SAR(1 g) = 0.730 W/kg; SAR(10 g) = 0.304 W/kg

Maximum value of SAR (measured) = 0.814 W/kg



Test Laboratory: Eurofins Product Service GmbH

FDD V Ch 4233 RMC 64 kbps back 0mm

DUT: Tablet PC / Aava Mobile; Type: INARI10-LTBN-1; Serial: -

Communication System: UID 0 - n/a, UMTS FDD V; Frequency: 846.6 MHz; Duty Cycle: 1:2.18776
Medium: Muscle 900 MHz Medium parameters used (interpolated): $f = 846.6$ MHz; $\sigma = 0.963$ S/m; $\epsilon_r = 55.146$; $\rho = 1000$ kg/m³
Phantom section: Flat Section

Measurement Standard: DASYS (IEEE/IEC/ANSI C63.19-2007)

DASY5.2 Configuration:

- Probe: ET3DV6 - SN1711; ConvF(5.99, 5.99, 5.99); Calibrated: 9/18/2013;
- Sensor-Surface: 4mm (Mechanical Surface Detection)
- Electronics: DAE3 Sn522; Calibrated: 9/11/2013
- Phantom: ELI v4.0; Type: QDOVA001BB; Serial: TP: 1013
- Measurement SW: DASYS2, Version 52.8 (6); SEMCAD X Version 14.6.9 (7117)

Flat-Section MSL/Flat Section 0mm/Area Scan (131x91x1): Interpolated grid: dx=1.000 mm, dy=1.000 mm
Maximum value of SAR (interpolated) = 0.612 W/kg

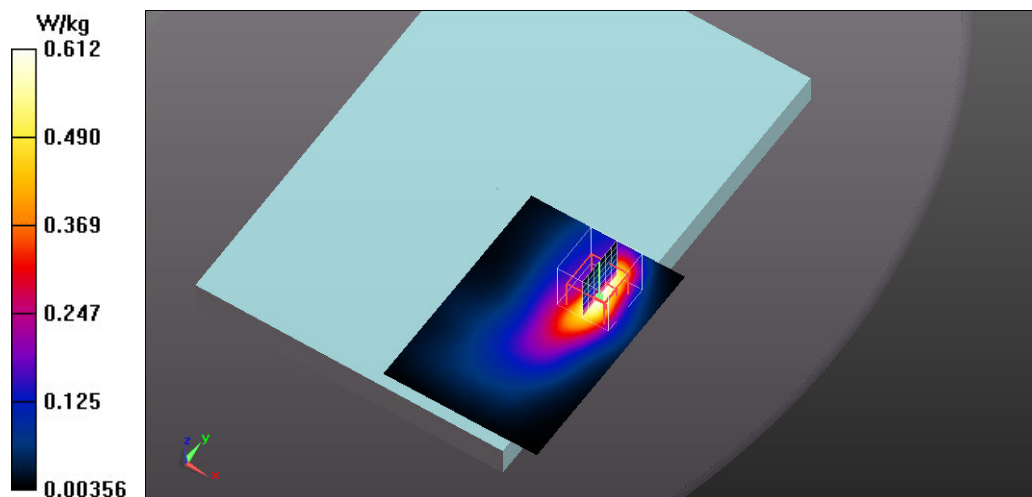
Flat-Section MSL/Flat Section 0mm/Zoom Scan (7x7x7)/Cube 0: Measurement grid: dx=5mm, dy=5mm, dz=5mm

Reference Value = 3.361 V/m; Power Drift = -0.02 dB

Peak SAR (extrapolated) = 1.72 W/kg

SAR(1 g) = 0.580 W/kg; SAR(10 g) = 0.274 W/kg

Maximum value of SAR (measured) = 0.658 W/kg



Test Laboratory: Eurofins Product Service GmbH

FDD 2 Ch 18900 RB 1 RB offset 100 top0 mm

DUT: Tablet PC / Aava Mobile; Type: INARI10-LTBN-1; Serial: -

Communication System: UID 0 - n/a, LTE FDD 2; Frequency: 1880 MHz; Duty Cycle: 1:6.13762

Medium: Muscle 1900 MHz Medium parameters used: $f = 1880$ MHz; $\sigma = 1.461$ S/m; $\epsilon_r = 54.42$; $\rho = 1000$ kg/m³

Phantom section: Flat Section

Measurement Standard: DASYS (IEEE/IEC/ANSI C63.19-2007)

DASY5.2 Configuration:

- Probe: ET3DV6 - SN1711; ConvF(4.69, 4.69, 4.69); Calibrated: 9/18/2013;
- Sensor-Surface: 4mm (Mechanical Surface Detection)
- Electronics: DAE3 Sn522; Calibrated: 9/11/2013
- Phantom: ELI v4.0; Type: QDOVA001BB; Serial: TP: 1013
- Measurement SW: DASY52, Version 52.8 (6); SEMCAD X Version 14.6.9 (7117)

Flat-Section MSL/Flat Section 0mm/Area Scan (141x101x1): Interpolated grid: dx=1.000 mm, dy=1.000 mm
Maximum value of SAR (interpolated) = 0.926 W/kg

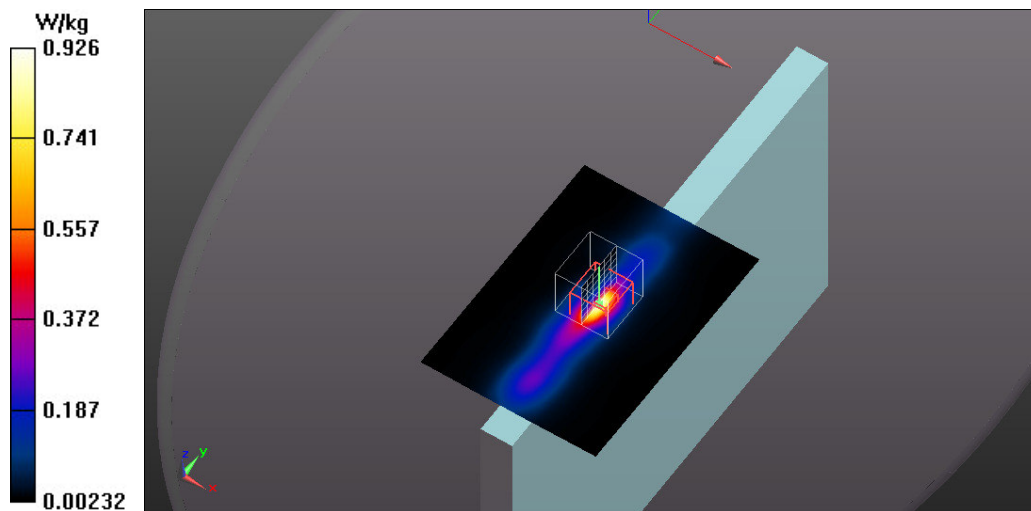
Flat-Section MSL/Flat Section 0mm/Zoom Scan (7x7x7)/Cube 0: Measurement grid: dx=5mm, dy=5mm, dz=5mm

Reference Value = 8.323 V/m; Power Drift = 0.04 dB

Peak SAR (extrapolated) = 1.98 W/kg

SAR(1 g) = 0.705 W/kg; SAR(10 g) = 0.274 W/kg

Maximum value of SAR (measured) = 0.827 W/kg



Test Laboratory: Eurofins Product Service GmbH

FDD4 Ch 20175 RB1 offset 0 back 0mm

DUT: Tablet PC / Aava Mobile; Type: INARI10-LTBN-1; Serial: -

Communication System: UID 0 - n/a, LTE FDD 4; Frequency: 1732.5 MHz; Duty Cycle: 1:5.42001

Medium: Muscle 1800 MHz Medium parameters used (interpolated): $f = 1732.5$ MHz; $\sigma = 1.555$ S/m; $\epsilon_r = 53.2$; $\rho = 1000$

kg/m³

Phantom section: Flat Section

Measurement Standard: DASYS (IEEE/IEC/ANSI C63.19-2007)

DASY5.2 Configuration:

- Probe: ET3DV6 - SN1711; ConvF(4.74, 4.74, 4.74); Calibrated: 9/22/2014;
- Sensor-Surface: 4mm (Mechanical Surface Detection)
- Electronics: DAE3 Sn522; Calibrated: 9/17/2014
- Phantom: ELI v4.0; Type: QDOVA001BB; Serial: TP: 1013
- Measurement SW: DASYS2, Version 52.8 (6); SEMCAD X Version 14.6.9 (7117)

Flat-Section MSL/Flat Section 0mm/Area Scan (101x141x1): Interpolated grid: dx=1.000 mm, dy=1.000 mm
Maximum value of SAR (interpolated) = 0.595 W/kg

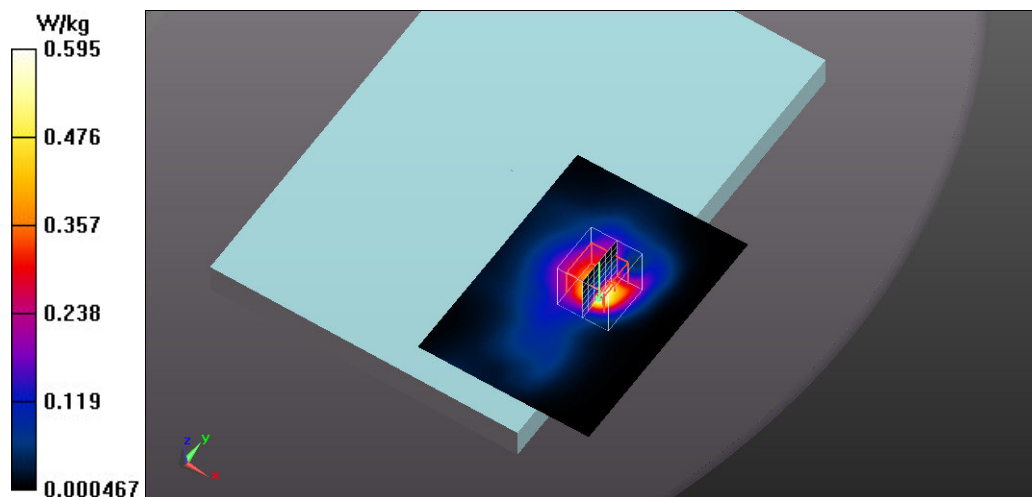
Flat-Section MSL/Flat Section 0mm/Zoom Scan (7x7x7)/Cube 0: Measurement grid: dx=5mm, dy=5mm, dz=5mm

Reference Value = 1.317 V/m; Power Drift = -0.08 dB

Peak SAR (extrapolated) = 1.11 W/kg

SAR(1 g) = 0.501 W/kg; SAR(10 g) = 0.240 W/kg

Maximum value of SAR (measured) = 0.575 W/kg



Test Laboratory: Eurofins Product Service GmbH

FDD5 Ch 20525 RB1 offset 49 back 0mm

DUT: Tablet PC / Aava Mobile; Type: INARI10-LTBN-1; Serial: -

Communication System: UID 0 - n/a, LTE FDD 5; Frequency: 836.5 MHz; Duty Cycle: 1:6.63743
Medium: Muscle 900 MHz Medium parameters used (interpolated): $f = 836.5$ MHz; $\sigma = 0.954$ S/m; $\epsilon_r = 55.295$; $\rho = 1000$ kg/m³
Phantom section: Flat Section

Measurement Standard: DASYS (IEEE/IEC/ANSI C63.19-2007)

DASY5.2 Configuration:

- Probe: ET3DV6 - SN1711; ConvF(5.99, 5.99, 5.99); Calibrated: 9/18/2013;
- Sensor-Surface: 4mm (Mechanical Surface Detection)
- Electronics: DAE3 Sn522; Calibrated: 9/11/2013
- Phantom: ELI v4.0; Type: QDOVA001BB; Serial: TP: 1013
- Measurement SW: DASYS2, Version 52.8 (6); SEMCAD X Version 14.6.9 (7117)

Flat-Section MSL/Flat Section 0mm/Area Scan (101x141x1): Interpolated grid: dx=1.000 mm, dy=1.000 mm

Maximum value of SAR (interpolated) = 0.629 W/kg

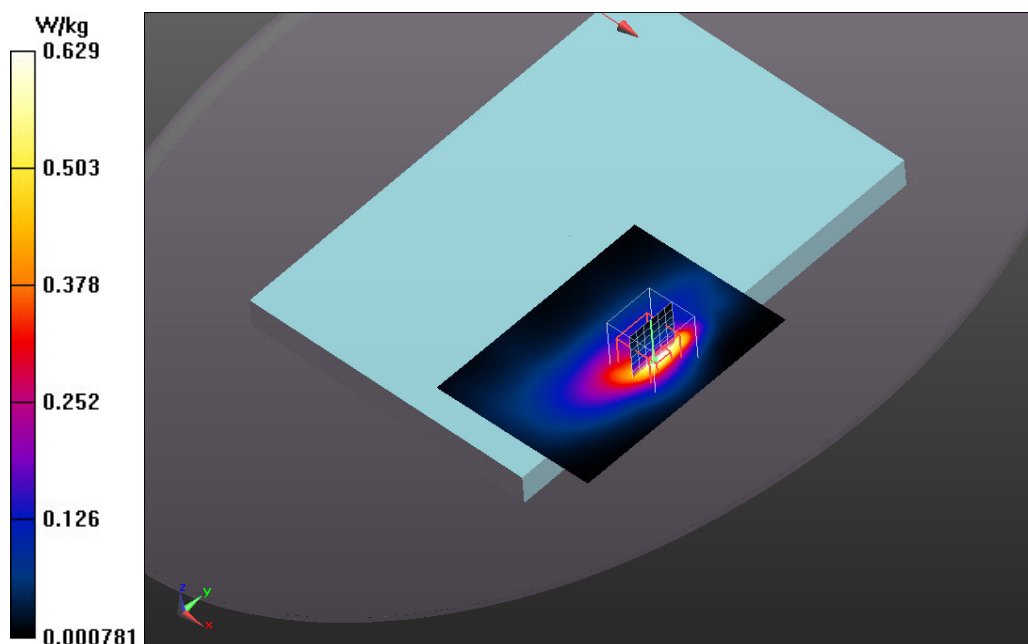
Flat-Section MSL/Flat Section 0mm/Zoom Scan (7x7x7)/Cube 0: Measurement grid: dx=5mm, dy=5mm, dz=5mm

Reference Value = 2.822 V/m; Power Drift = -0.04 dB

Peak SAR (extrapolated) = 1.68 W/kg

SAR(1 g) = 0.548 W/kg; SAR(10 g) = 0.250 W/kg

Maximum value of SAR (measured) = 0.647 W/kg



Test Laboratory: Eurofins Product Service GmbH

FDD13 Ch 23230 RB1 offset 49 back 0mm

DUT: Tablet PC / Aava Mobile; Type: INARI10-LTBN-1; Serial: -

Communication System: UID 0 - n/a, LTE FDD 13; Frequency: 782 MHz; Duty Cycle: 1:6.63743

Medium: Muscle 750 MHz Medium parameters used: $f = 782 \text{ MHz}$; $\sigma = 0.975 \text{ S/m}$; $\epsilon_r = 54.767$; $\rho = 1000 \text{ kg/m}^3$

Phantom section: Flat Section

Measurement Standard: DASYS (IEEE/IEC/ANSI C63.19-2007)

DASY5.2 Configuration:

- Probe: ET3DV6 - SN1711; ConvF(6.26, 6.26, 6.26); Calibrated: 9/22/2014;
- Sensor-Surface: 4mm (Mechanical Surface Detection)
- Electronics: DAE3 Sn522; Calibrated: 9/17/2014
- Phantom: ELI v4.0; Type: QDOVA001BB; Serial: TP: 1013
- Measurement SW: DASYS2, Version 52.8 (6); SEMCAD X Version 14.6.9 (7117)

Flat-Section MSL/Flat Section 0mm/Area Scan (101x141x1): Interpolated grid: $dx=1.000 \text{ mm}$, $dy=1.000 \text{ mm}$
Maximum value of SAR (interpolated) = 0.730 W/kg

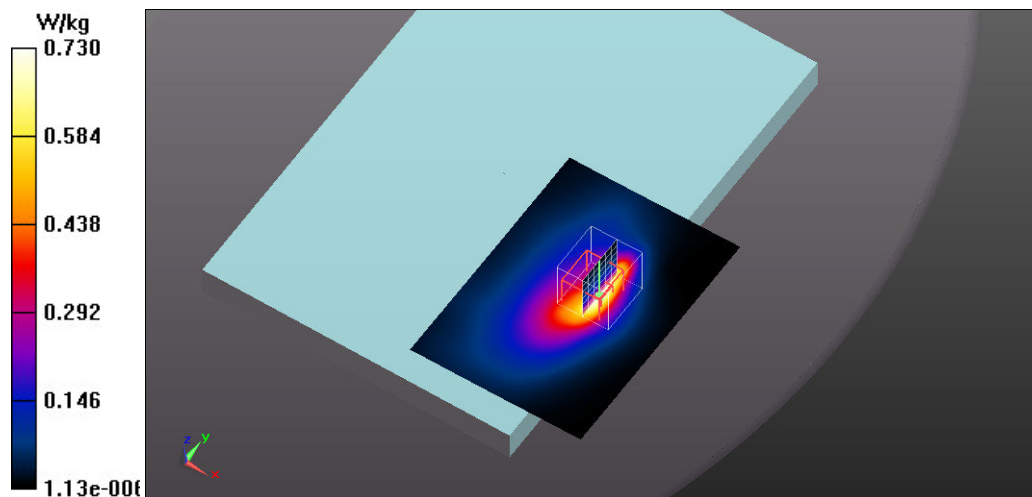
Flat-Section MSL/Flat Section 0mm/Zoom Scan (7x7x7)/Cube 0: Measurement grid: $dx=5\text{mm}$, $dy=5\text{mm}$, $dz=5\text{mm}$

Reference Value = 3.343 V/m; Power Drift = -0.07 dB

Peak SAR (extrapolated) = 1.88 W/kg

SAR(1 g) = 0.652 W/kg; SAR(10 g) = 0.309 W/kg

Maximum value of SAR (measured) = 0.744 W/kg



Test Laboratory: Eurofins Product Service GmbH

FDD17 Ch 23790 RB1 offset 49 back 0mm

DUT: Tablet PC / Aava Mobile; Type: INARI10-LTBN-1; Serial: -

Communication System: UID 0 - n/a, LTE FDD 17; Frequency: 710 MHz; Duty Cycle: 1:6.63743

Medium: Muscle 750 MHz Medium parameters used: $f = 710$ MHz; $\sigma = 0.859$ S/m; $\epsilon_r = 55.471$; $\rho = 1000$ kg/m³

Phantom section: Flat Section

Measurement Standard: DASYS (IEEE/IEC/ANSI C63.19-2007)

DASY5.2 Configuration:

- Probe: ET3DV6 - SN1711; ConvF(6.26, 6.26, 6.26); Calibrated: 9/22/2014;
- Sensor-Surface: 4mm (Mechanical Surface Detection)
- Electronics: DAE3 Sn522; Calibrated: 9/17/2014
- Phantom: ELI v4.0; Type: QDOVA001BB; Serial: TP: 1013
- Measurement SW: DASYS2, Version 52.8 (6); SEMCAD X Version 14.6.9 (7117)

Flat-Section MSL/Flat Section 0mm/Area Scan (101x141x1): Interpolated grid: dx=1.000 mm, dy=1.000 mm
Maximum value of SAR (interpolated) = 0.497 W/kg

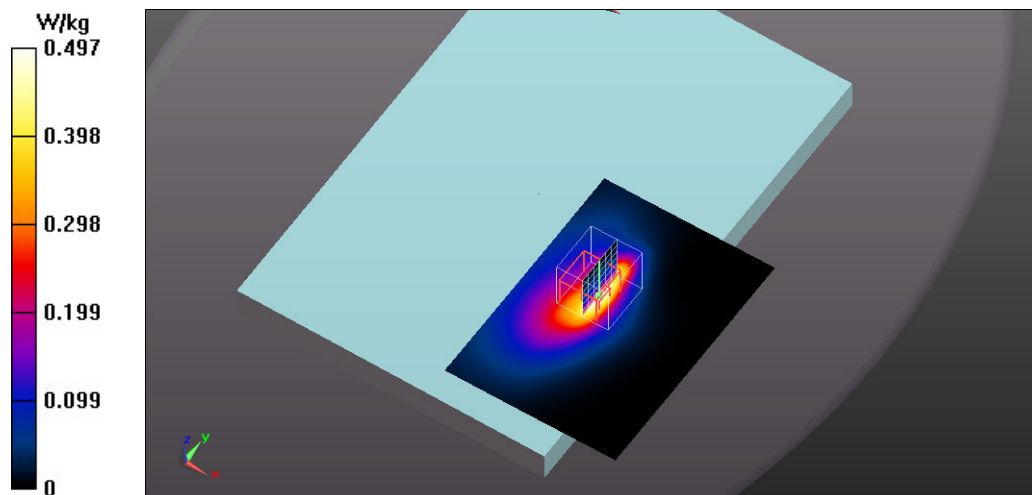
Flat-Section MSL/Flat Section 0mm/Zoom Scan (7x7x7)/Cube 0: Measurement grid: dx=5mm, dy=5mm, dz=5mm

Reference Value = 3.991 V/m; Power Drift = -0.03 dB

Peak SAR (extrapolated) = 1.56 W/kg

SAR(1 g) = 0.484 W/kg; SAR(10 g) = 0.222 W/kg

Maximum value of SAR (measured) = 0.535 W/kg



Test Laboratory: Eurofins Product Service GmbH

2_4GHz Ch 11 Mbps 1 Antenna MAIN back 0mm

DUT: Tablet PC / Aava Mobile; Type: INARI10-LTBN-1; Serial: -

Communication System: UID 0 - n/a, IEEE 802.11b WiFi 2.4 GHz (DSSS, 1Mbps); Frequency: 2462 MHz; Duty Cycle: 1:1.53815

Medium: Muscle 2450 MHz Medium parameters used (interpolated): $f = 2462$ MHz; $\sigma = 2.051$ S/m; $\epsilon_r = 50.56$; $\rho = 1000$ kg/m³

Phantom section: Flat Section

Measurement Standard: DASYS (IEEE/IEC/ANSI C63.19-2007)

DASY5.2 Configuration:

- Probe: ET3DV6 - SN1711; ConvF(4.05, 4.05, 4.05); Calibrated: 9/18/2013;
- Sensor-Surface: 4mm (Mechanical Surface Detection)
- Electronics: DAE3 Sn522; Calibrated: 9/11/2013
- Phantom: ELI v4.0; Type: QDOVA001BB; Serial: TP: 1013
- Measurement SW: DASYS2, Version 52.8 (6); SEMCAD X Version 14.6.9 (7117)

Flat-Section MSL/Flat Section 0mm/Area Scan (291x201x1): Interpolated grid: dx=1.000 mm, dy=1.000 mm
Maximum value of SAR (interpolated) = 0.868 W/kg

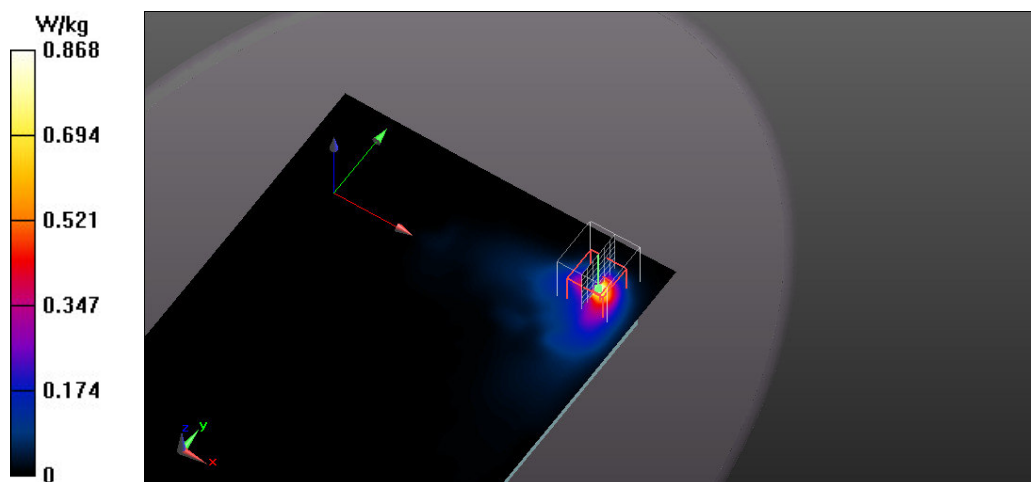
Flat-Section MSL/Flat Section 0mm/Zoom Scan (7x7x7)/Cube 0: Measurement grid: dx=5mm, dy=5mm, dz=5mm

Reference Value = 0 V/m; Power Drift = 0.00 dB

Peak SAR (extrapolated) = 2.57 W/kg

SAR(1 g) = 0.714 W/kg; SAR(10 g) = 0.259 W/kg

Maximum value of SAR (measured) = 0.813 W/kg



Test Laboratory: Eurofins Product Service GmbH

5_8GHz Ch 161 Mbps 6 Antenna MAIN right 0mm

DUT: Tablet PC / Aava Mobile; Type: INARI10-LTBN-1; Serial: -

Communication System: UID 0 - n/a, IEEE 802.11a/h WiFi 5 GHz (OFDM, 6Mbps); Frequency: 5805 MHz;Duty Cycle: 1:17.0608

Medium: MBBL 3-6 GHz Medium parameters used (interpolated): $f = 5805$ MHz; $\sigma = 6.291$ S/m; $\epsilon_r = 48.39$; $\rho = 1000$ kg/m³

Phantom section: Flat Section

Measurement Standard: DASYS (IEEE/IEC/ANSI C63.19-2007)

DASY5.2 Configuration:

- Probe: EX3DV4 - SN3893; ConvF(4.38, 4.38, 4.38); Calibrated: 9/17/2013;
- Sensor-Surface: 1.4mm (Mechanical Surface Detection)
- Electronics: DAE3 Sn522; Calibrated: 9/11/2013
- Phantom: ELI v4.0; Type: QDOVA001BB; Serial: TP: 1013
- Measurement SW: DASYS2, Version 52.8 (6); SEMCAD X Version 14.6.9 (7117)

Flat-Section MSL/Flat Section 0mm/Area Scan (71x181x1): Interpolated grid: dx=1.000 mm, dy=1.000 mm
Maximum value of SAR (interpolated) = 1.18 W/kg

Flat-Section MSL/Flat Section 0mm/Zoom Scan (8x8x13)/Cube 0: Measurement grid: dx=4mm, dy=4mm, dz=2mm

Reference Value = 1.205 V/m; Power Drift = 0.12 dB

Peak SAR (extrapolated) = 2.61 W/kg

SAR(1 g) = 0.426 W/kg; SAR(10 g) = 0.120 W/kg

Maximum value of SAR (measured) = 1.15 W/kg

