

6

5

4

3

2

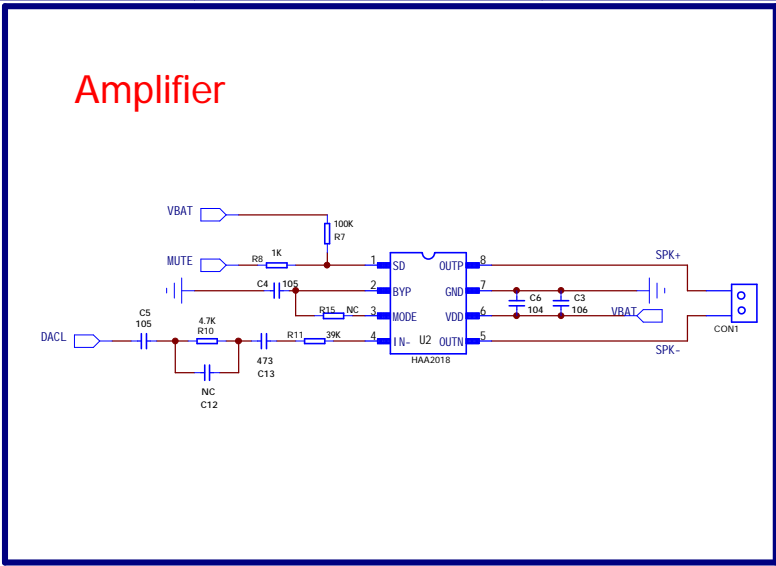
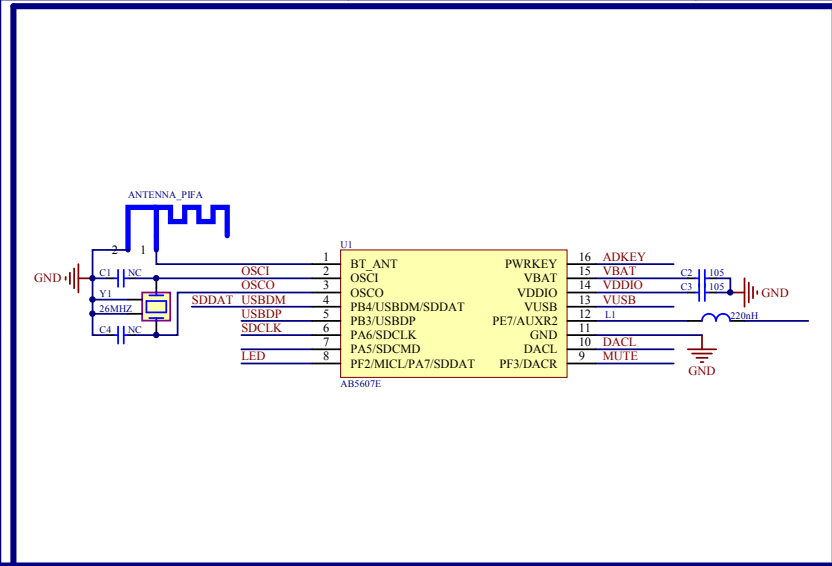
1

D

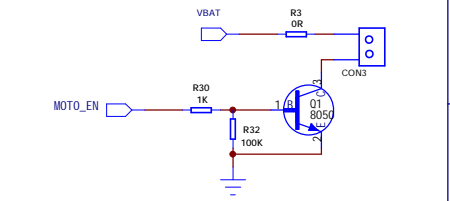
C

D

C

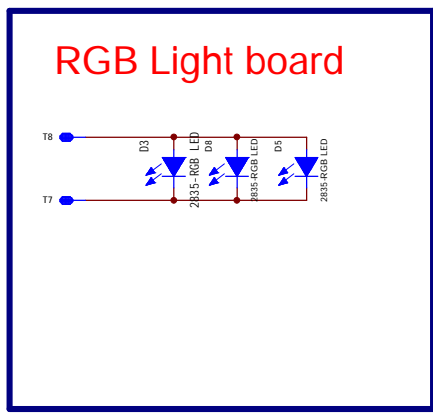
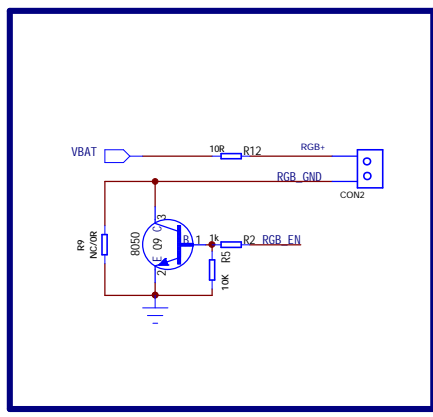
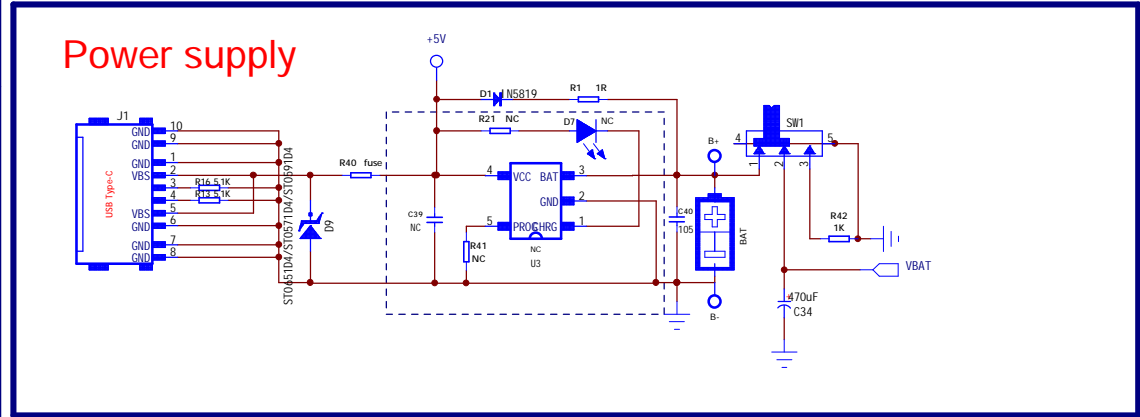


REVISION RECORD			
LTR	ECO NO:	APPROVED:	DATE:



B

B



A

A

