

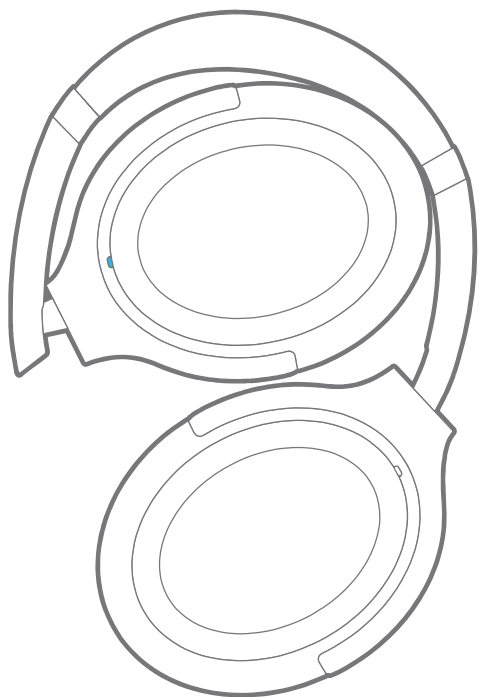
User Manual

BT&NC Headphone



Model Name: BKH928
FCC ID:2ABV4-BKH928

IN THE BOX



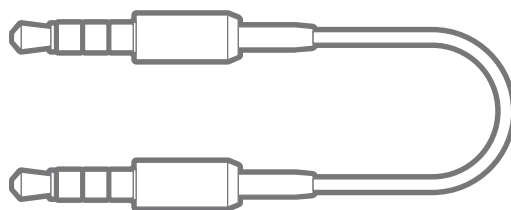
Wireless Headphones



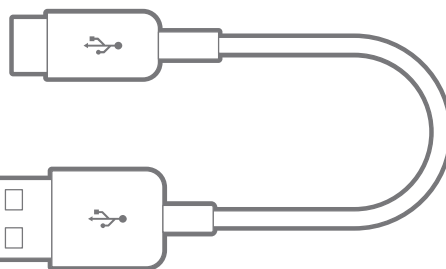
Carrying Case



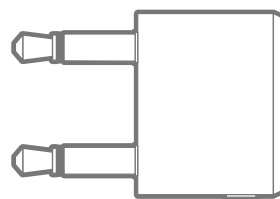
User Guide



3.5mm Audio Cable



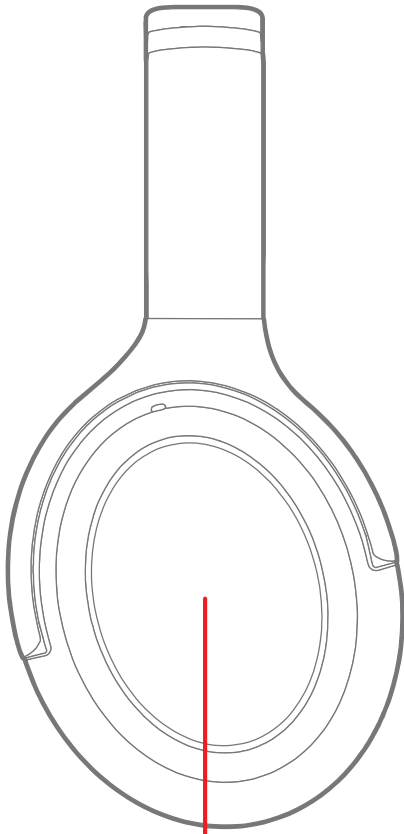
USB Type-C Cable



Airplane Adaptor

LOCATION OF CONTROL

RIGHT SIDE



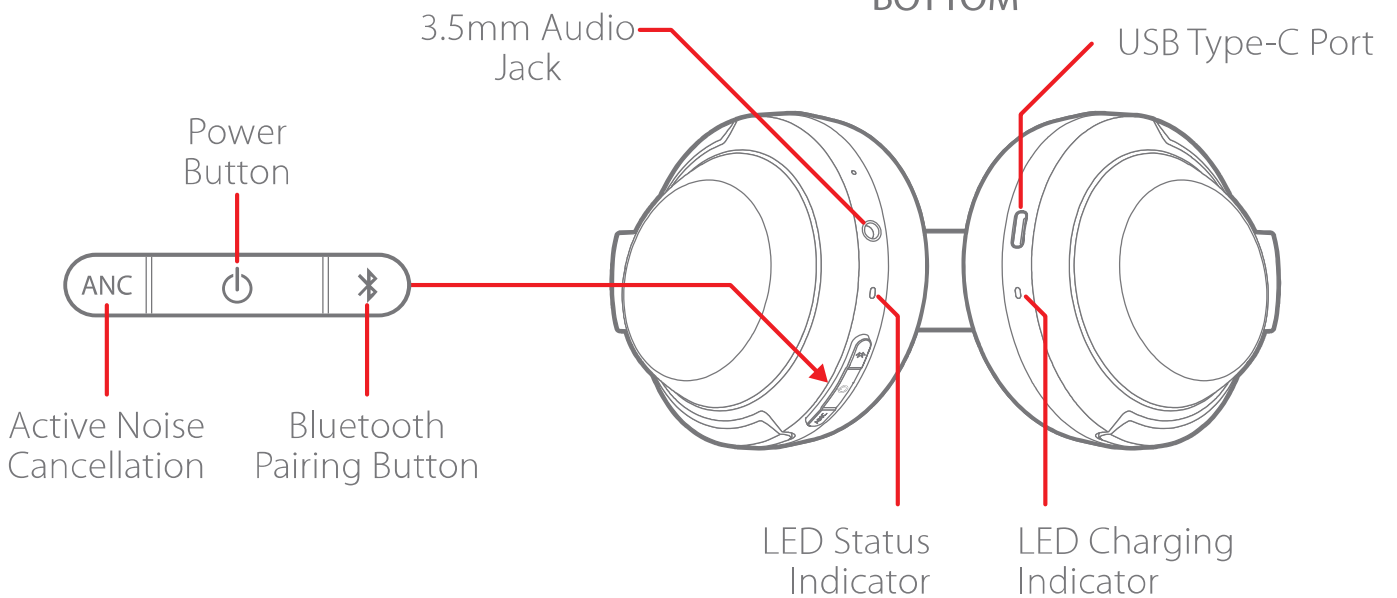
Multifunction Touchpad

FRONT



Microphone

BOTTOM



Power Button

ANC

Active Noise Cancellation

Bluetooth Pairing Button

3.5mm Audio Jack

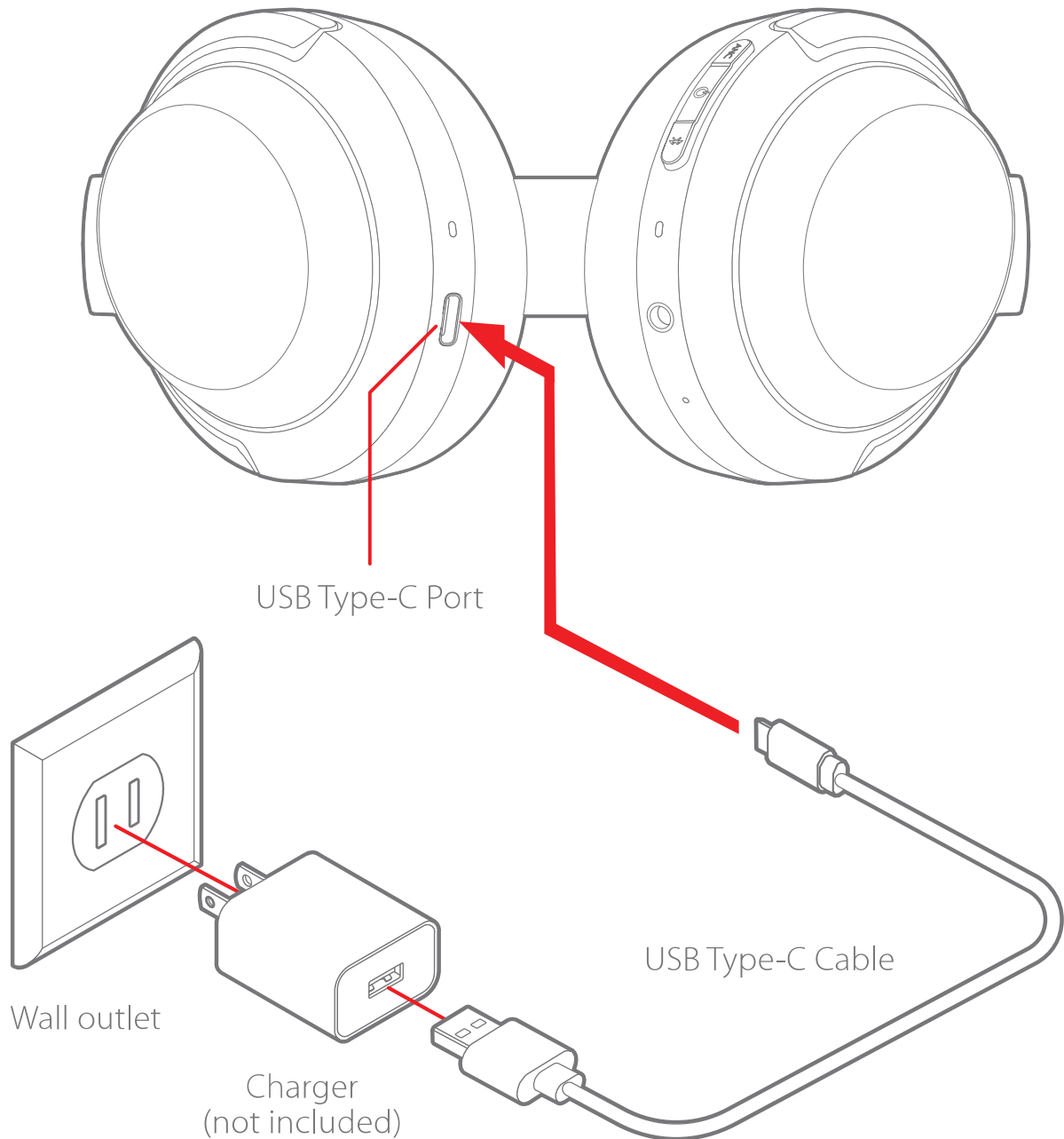
USB Type-C Port

LED Status Indicator

LED Charging Indicator

CHARGING

Insert the USB Type-C cable into the USB port of the headphones as shown below and connect the other end to any USB adaptor or charging device. The Left LED indicator will turn solid RED while charging and become solid GREEN when fully charged. While charging, the headphones cannot be powered on or used.



Note: When the battery is low, the Right LED indicator flashes red twice every 5 seconds and the “battery low” voice prompt will be heard.

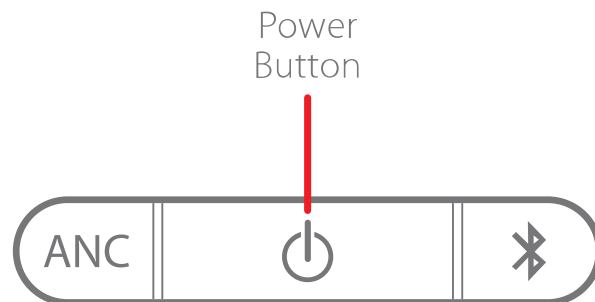
POWER ON/OFF

Power On:

Press and **HOLD** the Power button until the Right LED indicator lights blue.

Power off:

Press and **HOLD** the Power button until the Right LED indicator turns off.



Note: If not connected to a Bluetooth enabled device, the headphones will automatically power off after 5 minutes.

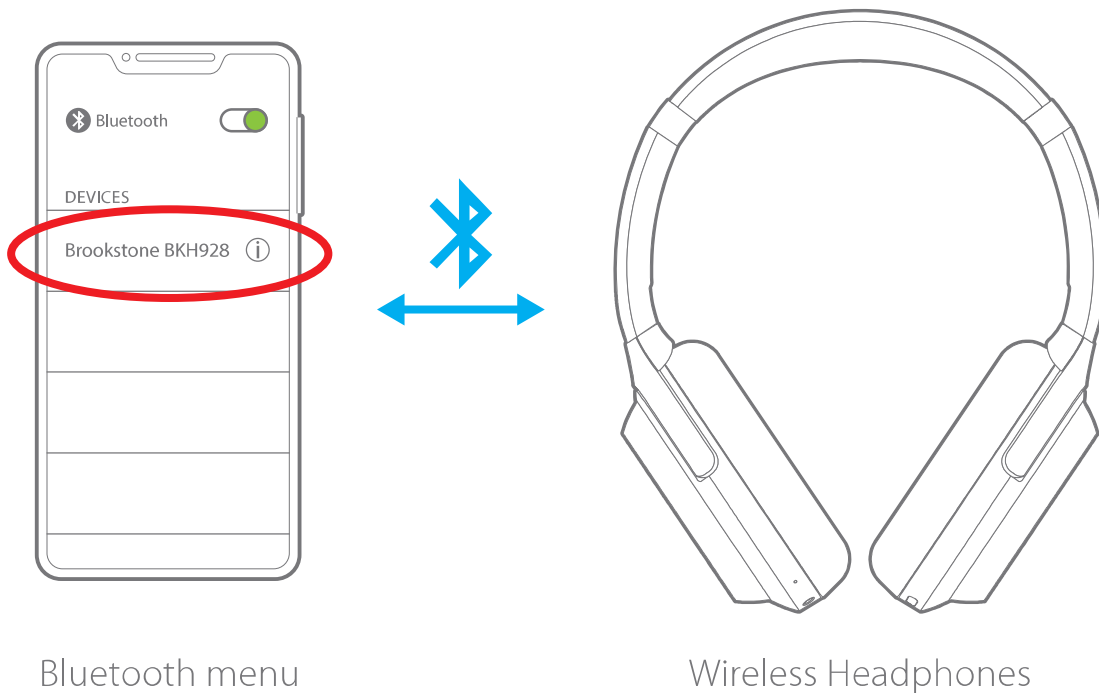
Using the audio cable:

When connecting an audio cable airPhones will disconnect from Bluetooth and play audio directly from the device.

BLUETOOTH PARING

Follow the steps below to pair your Bluetooth-enabled device.

1. While powered on, press and HOLD the Bluetooth button until the Right LED flashes red and blue indicating the headphones are in Bluetooth pairing mode (you can press and quickly release the Bluetooth button to exit Bluetooth pairing mode).
2. Open your device's Bluetooth menu.
3. Find and select BKH928 to pair.



4. Once paired, the voice prompt "Connected" will be heard and the Right LED indicator will flash blue every five seconds.

Bluetooth Profile: A2DP V1.3, AVRCP V1.6, HFP V1.7, HSP V1.2

BLUETOOTH PARING

Disconnecting

To disconnect from a device, press and HOLD the Bluetooth button until the Right LED indicator flashes red and blue. You can now pair the headphones to another device.



Bluetooth
Pairing Button

Note: This feature is handy to quickly pair the headphones to another Bluetooth enabled vdevice.

ANC (ACTIVE NOISE CANCELLATION) MODES

The headphones include three ANC modes that offer different listening experiences. You can press the ANC button to cycle through the different modes below.

Ambient Noise
Cancelling Button



Noise Cancelling (Right LED indicator is green):

The Noise Cancelling mode is the default ANC mode and is automatically activated when the headphones are powered on. When the Noise Cancelling mode is active, the Right LED indicator of the headphones is solid green. About Noise Cancelling mode: This mode isolates your listening experience specifically to sound coming through the headphones and helps block unwanted outside noise.

Ambient Sound (Right LED indicator is white):

Press the ANC button once and the voice prompt "Ambient sound" is heard, the Right LED indicator of the headphones will turn solid white. About Ambient Sound mode: Safely enjoy your music by paying attention to the sounds around you. Using microphones built into the headphones, the Ambient Sound mode allows you to hear ambient sound even while wearing the headphones.

Note: The Ambient Sound mode does not enable you to hear all sounds around you. Certain sounds may not be heard well depending on the surrounding environment, type of music being played, or the volume level. Be careful when using the headphones in places where an inability to hear ambient sound would be dangerous.

Ambient Sound and Noise Cancelling Off (Right LED indicator is off): Press the ANC button twice and the voice prompt "Ambient sound and noise cancelling off" is heard, the Right LED indicator will turn off.

Note: In this mode, both Noise Cancelling and Ambient Sound modes are turned off. You can press the ANC button again to turn Noise Cancelling mode back on.

TOUCH CONTROL

The headphones include a multifunction touchpad located over the right earcup. Use the following gestures to control the audio playback and answer calls.

Play/Pause: Tap twice.

Next Track: Tap 3 times

Previous Track: Tap 4 times.

Volume: Slowly swipe up or down.

Answer a Call:

Double tap during an incoming call.

Rejecting a Call:

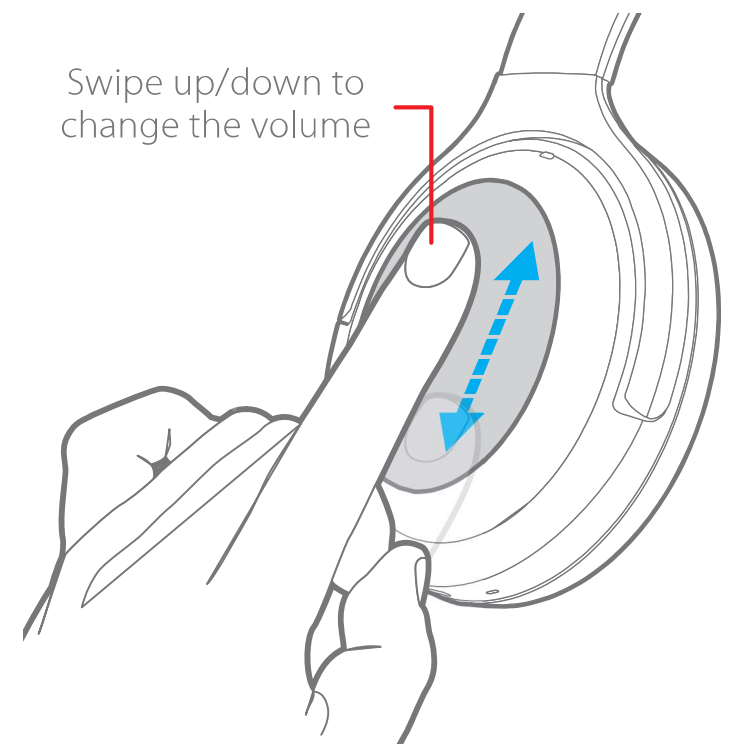
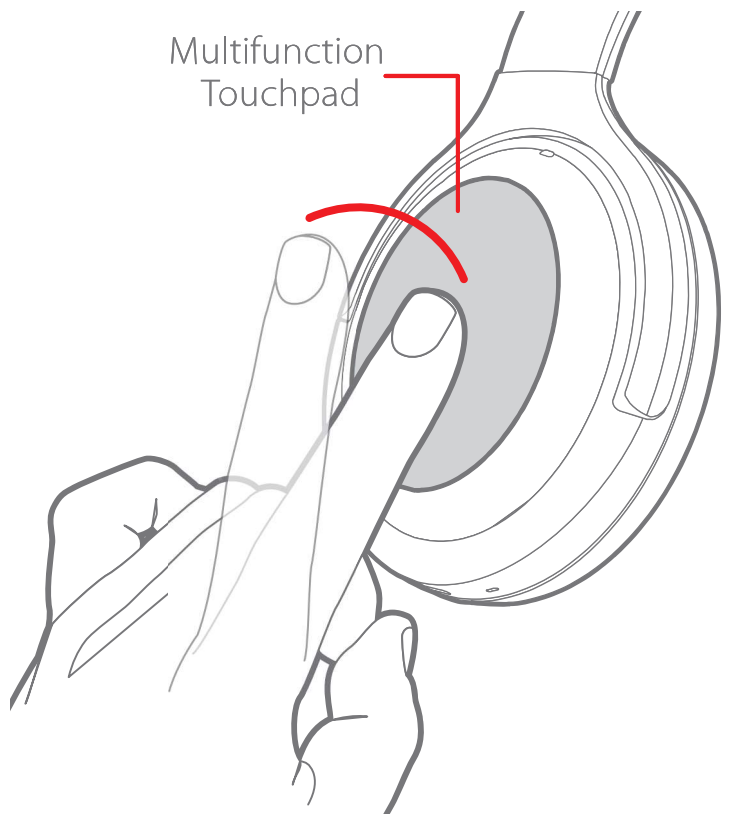
Touch and **HOLD** during an incoming call.

Voice Assistant:

Touch and **HOLD** until the default voice assistant of your device is activated. You can touch and **HOLD** again to cancel (this may not be supported on all devices).

Monitor:

Place the palm of your hand over the right earcup, the music is muted until you release your palm from the earcup.



LED INDICATORS

The headphones include two LED indicators, the Right LED indicator and the Left LED indicator.

Both LED indicators are explained below.

Right LED Indicator

Bluetooth

Pairing Mode	Flashes red and blue
Connected	Slowly flashes blue (every 5 seconds)
Not Connected	Quickly flashes blue (every second)

ANC

Noise Cancelling	Solid green
Ambient Sound	Solid white
Ambient Sound and Noise Cancelling Off	Off

Battery

Low Battery	Flashes red twice every 5 seconds
-------------	-----------------------------------

Left LED Indicator

Charging

Charging	Solid red
Fully Charged	Solid green

USING THE AUDIO CABLE

When connecting the 3.5mm audio cable, the headphones will power off and play audio directly from the connected device.

FCC INFORMATION

This device complies with Part 15 of the FCC Rules. Operation is subject to the following two conditions: (1) this device may not cause harmful interference, and (2) this device must accept any interference received, including interference that may cause undesired operation.

Warning: Changes or modifications to this unit not expressly approved by the party responsible for compliance could void the user's authority to operate the equipment.

Note: This equipment has been tested and found to comply with the limits for a Class B digital device, pursuant to Part 15 of the FCC Rules. These limits are designed to provide reasonable protection against harmful interference in a residential installation. This equipment generates, uses and can radiate radio frequency energy and, if not installed and used in accordance with the instructions, may cause harmful interference to radio communications. However, there is no guarantee that interference will not occur in a particular installation. If this equipment does cause harmful interference to radio or television reception, which can be determined by turning the equipment off and on, the user is encouraged to try to correct the interference by one or more of the following measures:

- Reorient or relocate the receiving antenna.
- Increase the separation between the equipment and receiver.
- Connect the equipment into an outlet on a circuit different from that to which the receiver is connected.
- Consult the dealer or an experienced radio/ TV technician for help

Information Regarding Exposure to Radio Frequency Energy

Your device is designed and manufactured not to exceed the emission limits for exposure to RF energy set by the Federal Communications Commission of the United States (FCC). Information on your Device is on file with the FCC and can be found under the Display Grant section of <http://www.fcc.gov/oet/ea/> after searching on the FCC ID for your Device, which can be found on the back of the Device.

LITHIUM POLYMER BATTERY WARNINGS

This device contains a non-removable Lithium- Polymer battery. The battery must be recycled or disposed of properly. Contact your local waste management office for information on battery recycling or disposal.



Rating Label Definitions



Direct current symbol.



This symbol signifies the product must not be discarded as household waste, and should be delivered to an appropriate collection facility for recycling. Proper disposal and recycling helps protect natural resources, human health and the environment.



This symbol signifies and declares that this equipment has battery charging which complies with California CEC and energy efficiency.



This symbol signifies that this is a wireless device powered by Bluetooth® technology. The Bluetooth® word mark and logos are registered trademarks owned by Bluetooth SIG, Inc., used under license.

LIMITED WARRANTY

1-Year Limited Warranty

Territory: United States/Canada

LIMITED WARRANTY TO ORIGINAL CONSUMER

This product (including any accessories included in the original packaging) as supplied and distributed new by an authorized retailer is warranted by Southern Telecom, Inc. to the original consumer purchaser against defects in materials and workmanship ("Warranty") as follows:

To obtain warranty service:

- Visit our website at www.southerntelecom.com
- Click on Product Support
- Select the Brand of your device
- Select Service Request and fill out the form to begin your inquiry

Or call the Customer Support number below:

1-877-668-4839 (Toll Free)

Monday - Friday: 8AM - 10PM (EST)

Your product will be repaired or replaced, at our option, for the same or similar model of equal value if examination by the service center determines this product is defective. Products received damaged as a result of shipping will require you to file a claim with the carrier.

Warranty service not provided

This warranty does not cover damage resulting from accident, misuse, abuse, improper installation or operation, lack of reasonable care, unauthorized modification including software modifications such as the installation of custom firmware. This warranty is voided in the event any unauthorized person opens, alters or repairs this product. All products being returned to the authorized service center for repair must be suitably packaged.

NO WARRANTIES, WHETHER EXPRESS OR IMPLIED, INCLUDING, BUT NOT LIMITED TO, ANY IMPLIED WARRANTIES OF MERCHANTABILITY OR FITNESS FOR A PARTICULAR PURPOSE, OTHER THAN THOSE EXPRESSLY DESCRIBED ABOVE SHALL APPLY. DISTRIBUTOR FURTHER DISCLAIMS ALL WARRANTIES AFTER THE EXPRESS WARRANTY PERIOD STATED ABOVE. NO OTHER EXPRESS WARRANTY OR GUARANTY GIVEN BY ANY PERSON, FIRM OR ENTITY WITH RESPECT TO THE PRODUCT SHALL BE BINDING ON DISTRIBUTOR.

REPAIR, REPLACEMENT, OR REFUND OF THE ORIGINAL PURCHASE PRICE - AT DISTRIBUTOR'S SOLE DISCRETION - ARE THE EXCLUSIVE REMEDIES OF THE CONSUMER. IN NO EVENT WILL DISTRIBUTOR OR ITS MANUFACTURERS BE LIABLE FOR ANY INCIDENTAL, DIRECT, INDIRECT, SPECIAL, PUNITIVE OR CONSEQUENTIAL DAMAGES (SUCH AS, BUT NOT LIMITED TO, DAMAGES FOR LOSS OF PROFITS, BUSINESS, SAVINGS, DATA OR RECORDS) CAUSED BY THE USE, MISUSE OR INABILITY TO USE THE PRODUCT. EXCEPT AS STATED HEREIN, NO OTHER WARRANTIES SHALL APPLY. NOTWITHSTANDING THE FOREGOING, CONSUMER'S RECOVERY AGAINST DISTRIBUTOR SHALL NOT EXCEED THE PURCHASE PRICE OF THE PRODUCT SOLD BY DISTRIBUTOR. THIS WARRANTY SHALL NOT EXTEND TO ANYONE OTHER THAN THE ORIGINAL CONSUMER WHO PURCHASED THE PRODUCT AND IS NOT TRANSFERABLE.

Some countries, states or provinces do not allow the exclusion or limitation of incidental or consequential damages or allow limitations on warranties, so limitation or exclusions may not apply to you. This warranty gives you specific legal rights, and you may have other rights that vary from state to state or province to province. Contact your authorized retailer to determine if another warranty applies.

The BROOKSTONE® trademarks, names and logos are owned by BKST Brand Holdings LLC. ©2019 All rights reserved. www.brookstone.com

Manufactured, marketed and distributed by Southern Telecom Inc. under license.

Airphones is a registered trademark of Southern Telecom, Inc.

The Bluetooth® word mark and logos are owned by the Bluetooth SIG, Inc.

All other trademarks and trade names are those of their respective owners.

Made in China v1.0 08-2019

FCC Caution.

This device complies with part 15 of the FCC Rules. Operation is subject to the following two conditions:

- (1) This device may not cause harmful interference, and
- (2) this device must accept any interference received, including interference that may cause undesired operation.

Any Changes or modifications not expressly approved by the party responsible for compliance could void the user's authority to operate the equipment.

Note: This equipment has been tested and found to comply with the limits for a Class B digital device, pursuant to part 15 of the FCC Rules. These limits are designed to provide reasonable protection against harmful interference in a residential installation. This equipment generates uses and can radiate radio frequency energy and, if not installed and used in accordance with the instructions, may cause harmful interference to radio communications. However, there is no guarantee that interference will not occur in a particular installation. If this equipment does cause harmful interference to radio or television reception, which can be determined by turning the equipment off and on, the user is encouraged to try to correct the interference by one or more of the following measures:

- Reorient or relocate the receiving antenna.
- Increase the separation between the equipment and receiver.
- Connect the equipment into an outlet on a circuit different from that to which the receiver is connected.
- Consult the dealer or an experienced radio/TV technician for help.

The device has been evaluated to meet general RF exposure requirement. The device can be used in portable exposure condition without restriction.