

## Connecting to External Cabling



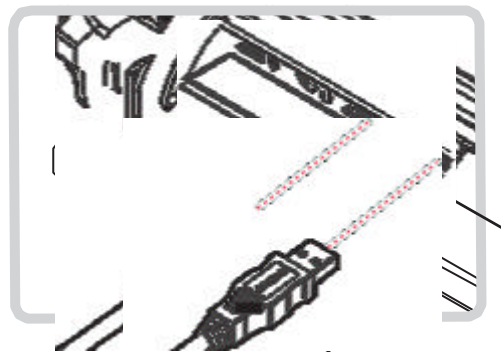
To prevent damage to the device, connect all cabling and accessories before powering up the device.

### **Connect USB Cabling**

The PM-522 have two USB ports for connecting USB devices, such as a digital camera, scanner, printer, modem, and mouse. The USB ports support USB 2.0 or USB 3.0 devices.

1. Open the I/O cover. See “*Removing the I/O Cover*” on page 22.
2. Connect to USB device via USB cable.

Figure 23. Connect USB Cabling



### **Connect Ethernet Cabling**

The PM-522 provide mini USB to RJ45 dongle for connecting Ethernet.



Use a shielded cable is required to maintain emissions and susceptibility compliance.

1. Open the I/O cover. See “*Removing the I/O Cover*” on page 22.
2. Connect the mini USB to RJ45 dongle to micro USB port on the PM-522.
3. Connect LAN cable to mini USB to RJ45 dongle.

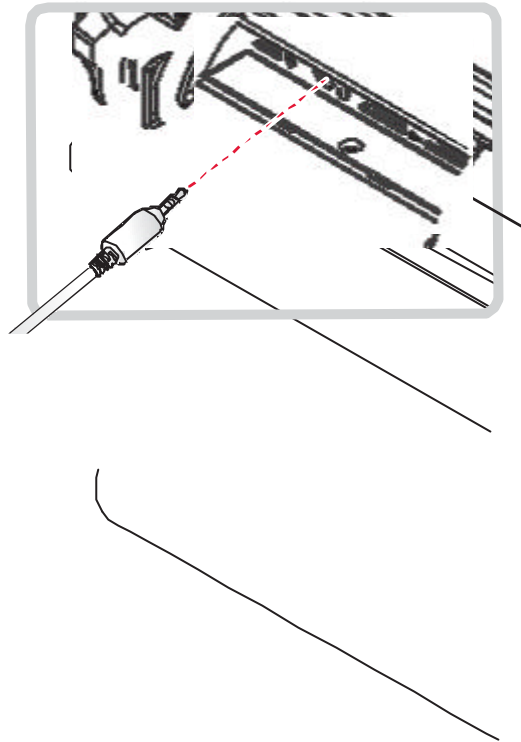
Figure 24. Connect Mini USB to RJ45 Dongle

## **Connect Audio Cabling**

For higher audio quality, you can send sound through external audio devices such as speakers, headphones, or earphone using audio connector.

1. Open the I/O cover. See “*Removing the I/O Cover*” on page 22.
2. Connect the audio cable.

*Figure 25. Connect Audio Cabling*



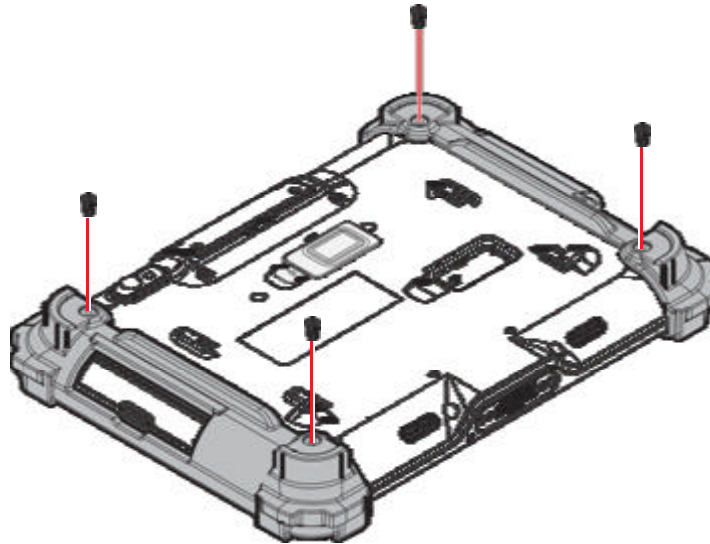
# Handstrap and Shoulder Strap

The PM-522 is equipped with a handstrap and a shoulder strap to provide users safety use. For more information, see “*Find Your Configuration Number*” on page 62 and “*Connecting the Shoulder Strap*” on page 29.

## **Connecting the Handstrap**

1. Remove the screws securing the bumpers.

Figure 26. Removing the Screws

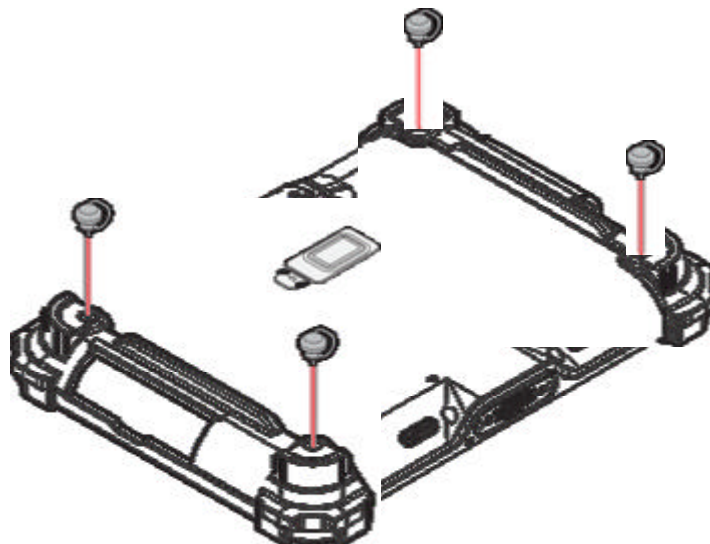


2. Install the D-rings.



Make sure the D-rings are tightly secured before installing the handstrap.

Figure 27. Installing the D-rings

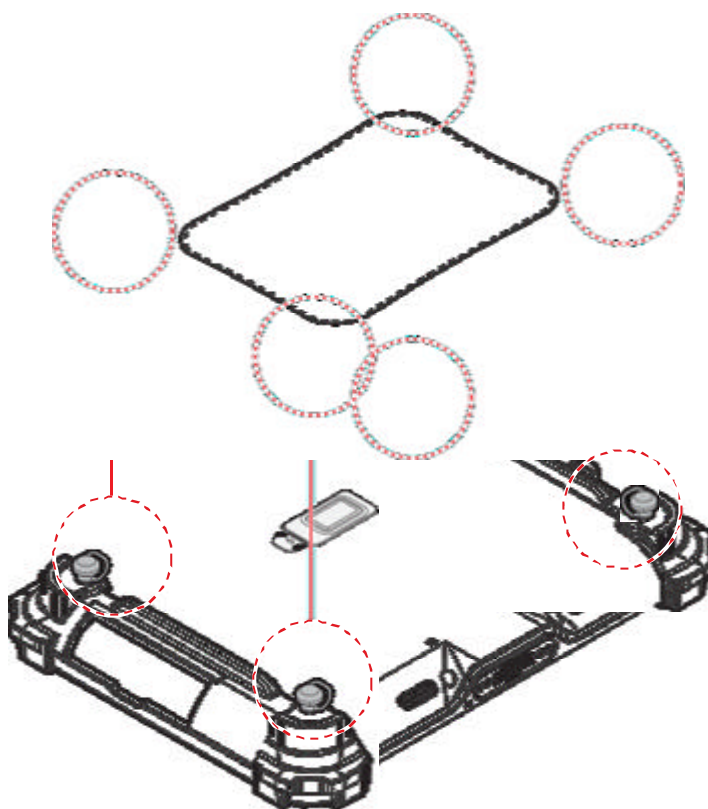


4. Connect to lock the handstrap on the D-rings.



When handstrap is installed, the stylus can place with handstrap.

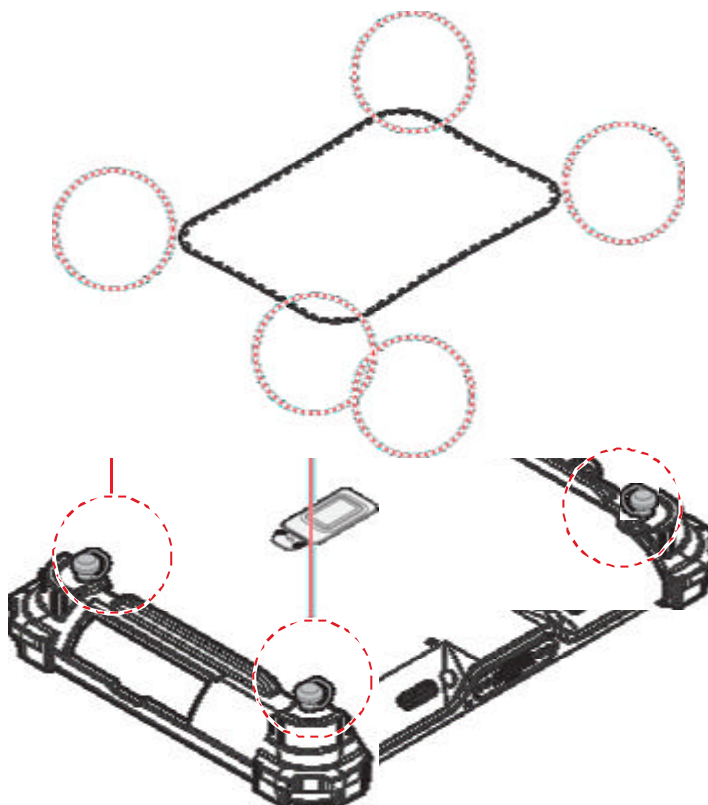
Figure 28. Connecting the Handstrap



## **Removing the Handstrap**

1. Unlock the handstrap from the D-rings.

Figure 29. Removing the Handstrap



2. Remove the D-rings.

Figure 30. Removing the D-rings

