



LUNA 3

User's Manual



© RuggON Corporation. All rights reserved. TRADEMARKS

RuggON logo is a trademark of RuggON Corporation, registered in the United States Patent and Trademark Office and in other countries. Microsoft and the Windows logo are either registered trademarks or trademarks of Microsoft Corporation in the United States and/or other countries. Microsoft products are licensed to OEMs by Microsoft Licensing, Inc., a wholly owned subsidiary of Microsoft Corporation. The Bluetooth® word mark and logos are registered trademarks owned by Bluetooth SIG, Inc. All other brand and product names are trademarks or registered trademarks of their respective owners.

Images shown in this document may vary slightly from actual products at time of shipping. Information in this manual is subject to change without notice.

Table of Contents

About This Manual

Related Information	1
Conventions	1

Basic Safety Guidelines

Intended Use.....	2
Maintenance and Operation Overview	2
Safety.....	3
Electrical Hazards	3
Environmental	3
Radio Transmissions.....	4
Cleaning and Servicing	4
Regulatory and Certification	4
Lithium Battery Safety Statement	5

Chapter 1. Introduction

About This Guide	6
Unpacking the Device	6
Parts List.....	7
Identifying the Device.....	8
Identifying the Digitizer	12
Dimensions	13
Touch Screen Features	14

Chapter 2. Getting Started

First Time Use	15
Charging the Battery	15
Powering the Device On and Off	16
Using the Digitizer	18
Removing the Protective Film from the Display	19

Chapter 3. Operation

Connecting to External Cabling	22
Installing the Standard Battery	28

Removing the Standard Battery	29
Checking Battery Status.....	30
Connecting to a Wireless Network.....	31

Chapter 4. Using BIOS Setup Utility

When to Use the BIOS Setup Utility	32
Accessing the BIOS Setup Utility.....	32
Installation an Operating System.....	33
BIOS Passwords	36
EC and BIOS	38

Chapter 5. Using the DashON Utility

Overview	42
----------------	----

Chapter 6. Troubleshooting

Troubleshoot the Wi-Fi Connection	44
Troubleshoot Operating the Computer	45
Call Product Support	45

Chapter 7. Maintenance

Cleaning the Device	46
Returning the Device.....	46
Contacting RuggON	46

About This Manual

The LUNA 3 User's Manual provides instructions for qualified personnel to follow when setting up a new LUNA 3 device.

This document is intended for use by qualified personnel to compliment the training and expertise, not to replace it.

Related Information

Current information and manuals are available for download at the following website:

<https://www.ruggon.com>

Conventions

Bolded or underlined text is used to emphasize the designated information.



A Note is used to provide additional information for the device or settings.



A Caution is used to warn against potential hazards or to caution against unsafe practices.



A Warning is used to identify immediate hazards for property damage, injury or death.

Basic Safety Guidelines

The following safety guidelines are intended to help protect the user from injury and prevent damage to the hardware.

- Do not place anything on the AC adapters power cable and make sure the cable is not located where it can be tripped over or stepped on.
- Do not cover the AC adaptor as it reduces the cooling.
- Do not use the AC adapter while it is inside the carrying case.
- Use only the AC adapter, power cord, and batteries that are approved for use with the device. Use of another type of battery or AC adapter may cause risk of fire or explosion.
- If you use an extension cable with the AC adapter, ensure that the total ampere rating of all products plugged in to the extension cable does not exceed the ampere rating of the extension cable.
- If the device is moved between environments with very different temperature and/ or humidity ranges, condensation may form on or within the device. Avoid damaging the device by allowing sufficient time for the moisture to evaporate before using the device.
- When disconnecting cables, pull on the connector or on its strain relief loop, not on the cable itself. When pulling out or plugging in the connector, keep it evenly aligned to prevent bending the connector pins.
- Make sure the temperature for adapter will not be higher than 40 °C.

Intended Use

The LUNA 3 rugged tablet is equipped with multi-functional terminals for stationary and mobile applications in industrial environments such as unmanned, law enforcement, warehousing, fleet management and manufacturing.

Read the safety guidelines thoroughly before starting any servicing on the device. Read the guidelines before powering up the device and keep this document for later use.

The operator is solely responsible for any damage resulting from unauthorized modifications to the device.

Unintended Application Use

The device is not designed for use in life-support systems or critical safety/security systems where system malfunction can lead to the direct or indirect endangerment of human life. The operator is fully responsible for using the device in these situations.

Maintenance and Operation Overview

The LUNA 3 is designed and manufactured according to strict controls and following the stated safety regulations. The following list identifies incorrect operating uses of the LUNA 3. Incorrect use of the LUNA 3 can lead to hardware damage, safety issues and possible risk to personnel health:

- The LUNA 3 is under operation by untrained personnel.
- The LUNA 3 is not maintained as recommended.
- The LUNA 3 is not used as intended.

Safety

To prevent injury and damage, read the following safety guidelines prior to operating the device. The manufacturer assumes no liability for any and all damages arising from misuse or noncompliance with these guidelines.

Electrical Hazards

Cleaning/Service: Power Off the LUNA 3

- Disconnect the LUNA 3 from power before cleaning or servicing it.

Power Adapter

Contact an authorized service personnel for repairs to the power pack. In the event of a blown fuse after replacing the fuse, contact an authorized service personnel to avoid electrical shock.

Use only Supplied Power Cables

RuggON power cables meet industrial requirements for low-temperature flexibility, UV resistance, and oil resistance. Use only supplied power cables from RuggON.

If other power cables are used, the following may apply:

- The operator is solely responsible for the resulting damage.
- All RuggON warranties are void.

Environmental Hazards

Do not use the LUNA 3 in locations near/with flammable gases or vapor. The use of electrical equipment in explosive environments can be dangerous.

- Turn off the device when near a gas station, fuel depot, chemical plant or a place where blasting operations take place.

Environmental

Ambient Temperature

The LUNA 3 operates on the basis of a passive cooling concept which internal waste heat is released via the housing surface and requires fresh airflow in the environment.

- Operating the LUNA 3 with no fresh cooling air may cause overheating and damage to the device.
- The operating environment should not be enclosed to prevent the cool air being heated by the heat waste from the device.

Please avoid contact with high temperature area when using if necessary, the contact time should be less than 10 seconds to avoid low temperature scald ***Connecting and Disconnecting External Devices***

To prevent the considerable damage, the LUNA 3 and the external device should be disconnected from power when connecting/disconnecting excluding USB devices.

Only Use Authorized Accessories

Only use the supplied cables, power packs and other accessories that have been tested and approved by RuggON. Contact your local distributor for further information.

Radio Transmissions

Permitted Transmission Power

Follow the national regulations for the maximum permitted transmission power.

The operator is solely responsible for this type of operation.

Radio Frequency Limited Locations

Considering the radio frequency limitation in hospitals and aircraft, the LUNA 3 can only be installed with permission.

Industrial computers may affect the function of implanted medical devices such as pacemakers and may cause malfunction.

Cleaning and Servicing

- Disconnect the LUNA 3 from power before cleaning or servicing.
- Never clean the LUNA 3 with compressed air, a pressure washer or a vacuum cleaner.
- If necessary, clean the housing of the LUNA 3 with a damp cloth.
- Clean the touchscreen with a nonabrasive cloth.

Regulatory and Certification

FCC



Contain FCC ID: 2ABTU-AX210D2

This equipment has been tested and found to comply with the limits for a Class B digital device, pursuant to part 15 of the FCC Rules. These limits are designed to provide reasonable protection against harmful interference when the equipment is operated in a commercial environment. This equipment generates, uses, and can radiate radio frequency energy and, if not installed and used in accordance with the instruction manual, may cause harmful interference to radio communications. Operation of this equipment in a residential area is likely to cause harmful interference in which case the user will be required to correct the interference at his own expense.

However, there is no guarantee that interference will not occur in a particular installation. If this equipment does cause harmful interference to radio or television reception, which can be determined by turning the equipment off and on, the user is encouraged to try to correct the interference by one or more of the following measures:

- Reorient or relocate the receiving antenna.
- Increase the separation between the equipment and receiver.
- Connect the equipment into an outlet on a circuit different from that to which the receiver is connected.
- Consult the dealer or an experienced radio / TV technician for help.



Any changes or modifications not expressly approved by the grantee of this device could void the user's authority to operate the equipment.

This device is operation in 5.15 – 5.25GHz/ 5.925-7.125 GHz frequency range, then restricted in indoor use only, Outdoor operations in the 5.15 – 5.25GHz/ 5.925-7.125 GHz is prohibit.

This device is slave equipment; the device is not radar detection and not ad-hoc operation in the DFS band. The operation of this device is prohibited on oil platforms, cars, trains, boats, and aircraft, except that operation of this device is permitted in large aircraft while flying above 10,000 feet.

Labeling Requirements

This device complies with Part 15 of the FCC Rules. Operation is subject to the following two conditions: (1) this device may not cause harmful interference, and (2) this device must accept any interference received, including interference that may cause undesired operation.

RF Exposure Information (SAR)

This device meets the government’s requirements for exposure to radio waves. This device is designed and manufactured not to exceed the emission limits for exposure to radio frequency (RF) energy set by the Federal Communications Commission of the U.S. Government.

The exposure standard employs a unit of measurement known as the Specific Absorption Rate, or SAR. The SAR limit set by the FCC is 1.6 W/kg. Tests for SAR are conducted using standard operating positions accepted by the FCC with the EUT transmitting at the specified power level in different channels.

The highest SAR value for the device as reported to the FCC is 1.14 W/kg when placed next to the body.

CE and UKCA Marking



This product has passed the CE and UKCA test for environmental specifications when shielded cables are used for external wiring. We recommend the use of shielded cables. Please contact your local representative for ordering information.

This product has passed the CE and UKCA test for environmental specifications. Test conditions for passing included the equipment being operated within an industrial enclosure. In order to protect the product from being damaged by ESD (Electrostatic Discharge) and EMI leakage, we strongly recommend the use of CE and UKCA-compliant industrial enclosure products.

According to ISO / IEC Guide 22 and EN 450 14 Manufacturer’s Name: RuggON Corporation.

Manufacturer’s Address: 4F, No. 298, Yang Guang St., NeiHu. Taipei, Taiwan, 11491

Declares, under our sole responsibility, that

Product Name: Rugged Tablet

Model Number: Luna3

Conforms to the following Product Specifications:

RED 2014/53/EU; LVD 2014/35/EU; EMC 2014/30/EU

- EN/ BS EN 300 328 V2.2.2
- EN/ BS EN 301 893 V2.1.1
- EN/ BS EN 300 440 V2.2.1
- Draft EN/ BS EN 303 687 V1.0.0
- EN/ BS EN 55032: 2015+A11:2020
- EN/ BS EN 55035: 2017+A11:2020
- EN/ BS EN 301489-1 V2.2.3
- EN/ BS EN 301489-17 V3.2.4
- EN/ BS EN 62368-1: 2014 + A11 2017

Supplementary information

In addition, the product is battery powered and the power supply provided with this product has been certified to EN/ BS EN 62368-1: 2014 + A11 2017. As manufacturer, we declare under our sole

responsibility that the equipment follows the provisions of the Standards stated above.

Importer of Record

代理商/進口商資訊

<CE>

This device is intended for indoor use only when operating in the frequency range 5150 to 5350/ 5945 to 6425 MHz which is applicable in countries that support WiFi 6E.

<UKCA>

The device is restricted to indoor use only when operating in the 5150 to 5350/ 5925 to 6425 MHz frequency range.

Lithium Battery Safety Statement



Lithium battery inside. Danger of explosion if battery is incorrectly replaced. Replace only with same or equivalent type recommended by battery manufacturer.

WARNING – There are no user-serviceable parts in the batteries. Do not disassemble or open, crush, bend or deform, puncture, or shred the battery. Do not modify or remanufacture, attempt to insert foreign objects into the battery, immerse or expose to water or other liquids, or expose to fire, explosion, or other hazard. Do not expose to high temperatures .

WARNING – Improper battery use may result in a fire, explosion, or other hazard.

Do not short circuit a battery or allow metallic or conductive objects to contact the battery terminals.

Avoid dropping the device or battery. If dropped, especially on a hard surface, and the user suspects damage to the battery, take it to a service center for inspection.

In the event of a battery leak, do not allow the liquid to come in contact with the skin or eyes. If contact has been made, wash the affected area with large amounts of water and seek medical advice.

Battery usage by children should be supervised.

Chapter 1. Introduction

The LUNA 3 is a rugged device equipped with 802.11, Bluetooth and GNSS for wireless data communications.

The LUNA 3 is a rugged 8" tablet computer capable of 1280 x 800 resolution.

About This Guide

The LUNA 3 User Manual provides instruction for qualified personnel to use as a guide for setup of the device. This document is not intended to replace the training and expertise of the end-user.

Unpacking the Device

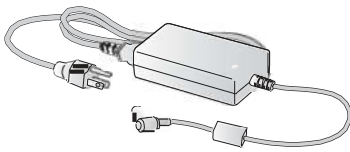
Before you begin the installation or configuration process make sure to inspect all components and accessories. Contact your representative if there are any missing or damaged items. See "*Contacting RuggON*" on page 34.

Parts List

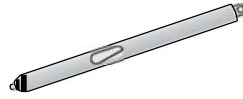
The LUNA 3 is shipped with the following items. All other accessories are sold and ordered separately. For help, contact your local RuggON sales representative. See “*Contacting RuggON*” on page 34.



LUNA 3



Power Adapter



Stylus or Digitizer & Pen holder

Identifying the Device

Front View

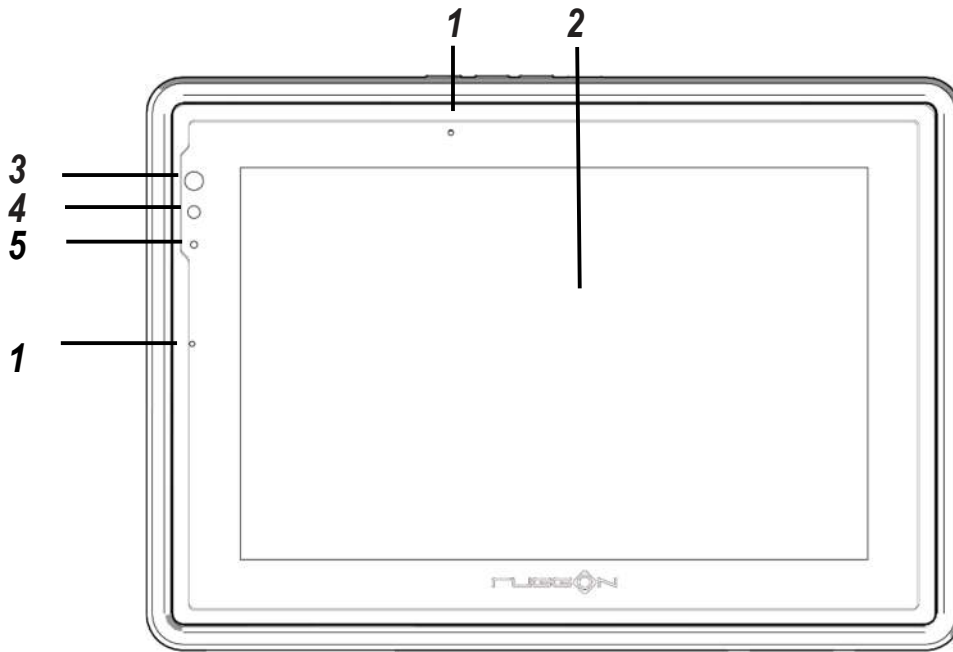


Figure 1. Front View

Table 1. Front View

No	Item	Description
1	Microphone	Integrated microphone.
2	Touch screen	10-point capacitive touch
3	Front camera	2.0 Mega-Pixels camera.
4	Light sensor	Adjusts the screen brightness according to environment light.
5	Power LED	LED indicator for power status

LED Status

Table 2. LED Status

Item	Status	Descrip
Power	Green: On	System power on & battery not charging
	Green: Blinking	System sleep & battery not charging
	Amber: On	System power on & battery charging
	Amber: Blinking	System sleep & battery charging
	Red: On	System power on & battery low (<10%)
	Red: Blinking	System sleep & battery low (<10%)
	Off	System power off & battery not charging

Top View

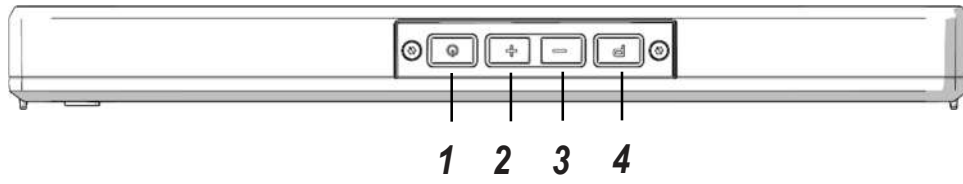


Figure 2. Top View

Table 3. Top View

No	Item	Description
1	Power key	Turns the LUNA 3 on or off.
2	Volume +	Volume increase.
3	Volume -	Volume decrease.
4	P key	Programmable function key.

Bottom View

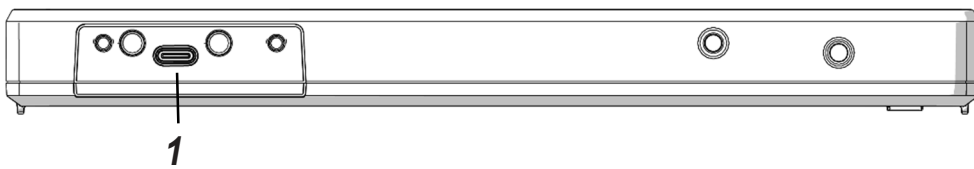


Figure 3. Bottom View

Table 4. Bottom View

No	Item	Description
1	USB 3.1 Type C	Connect USB devices or power to the LUNA 3.

Side View

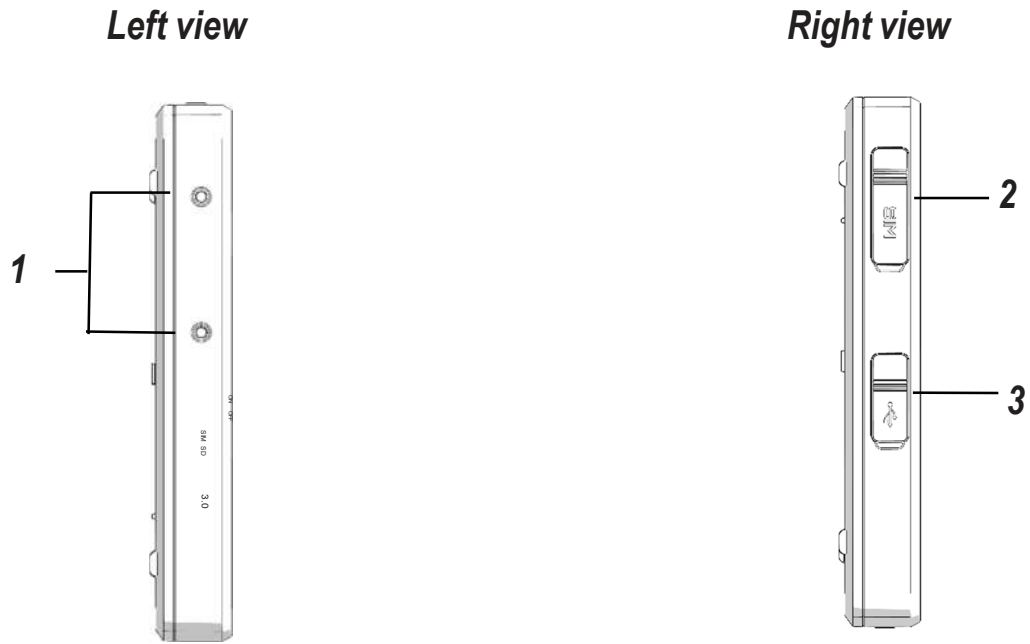


Figure 4. Side Views

Table 5. Side View

No	Item	Descriptio
1	Screw holes	Attach pen holder to these two screw holes.
2	Dual micro SIM	Option
3	USB 3.1 Type C	Connect USB devices or power to the LUNA 3.

Rear View

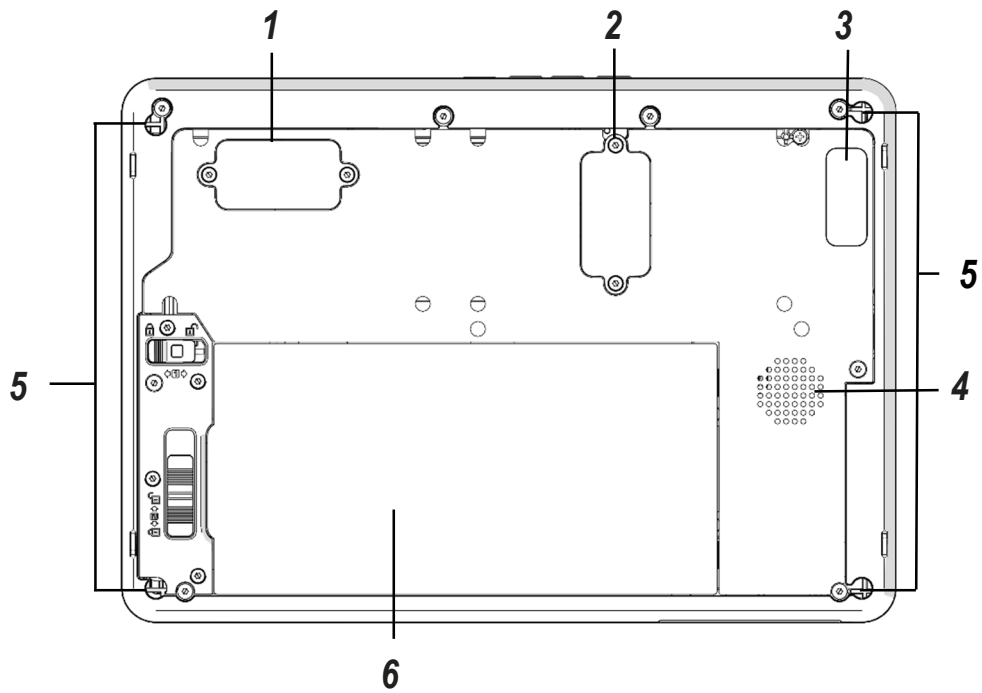


Figure 5. Rear View

Table 6. Rear View

No	Item	Description
1	Expansion bay	Remove the cover to find the expansion connector.
2	Expansion bay	Remove the cover to find the expansion connector.
3	Rear camera	8.0 Mega-Pixels camera with LED auxiliary light
4	Speaker	Embedded speaker for audio output.
5	Securing holes	Secure the optional D-rings for the handstrap and shoulder strap
6	Battery	To install a standard battery or optional extended battery.

Identifying the Digitizer (Optional)

You can use the optional digitizer pen to control your LUNA 3 as with a mouse or keyboard.

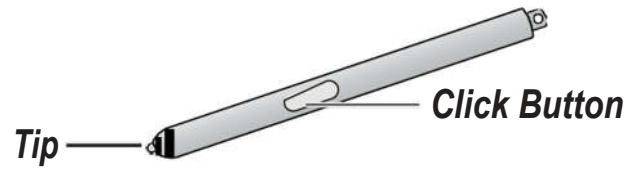


Figure 6. Digitizer View

Please make sure the digitizer pen is perpendicular to the screen for best accuracy.

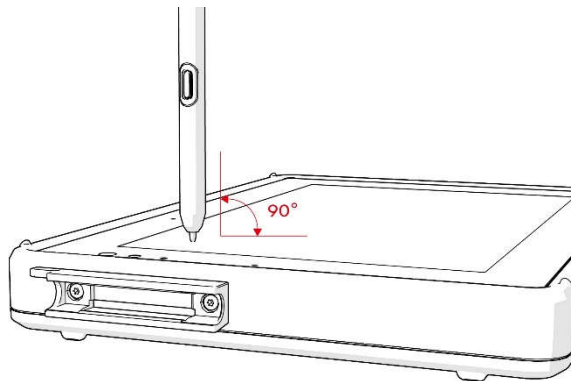


Figure 7. Digitizer Use Note

Touch Screen Features



Always use the point of the digitizer for clicking or making strokes on the touch screen.
Never use an actual pen, pencil, or sharp/abrasive object on the touch screen.

The digitizer is used as if it were a pen or pencil. Touch the screen with the tip of the digitizer then remove the digitizer from the screen.

After each use, replace the digitizer in the digitizer holder for proper care and to preserve the life of the digitizer.

Using a digitizer is similar to moving the mouse pointer then left-clicking icons on a desktop computer screen.

The following actions are available through the use of the digitizer:

- Open applications
- Choose commands in menu
- Select options in dialog box or drop-down menu
- Drag the scroll bar
- Drag across the text to select content
- Place the cursor in a text box before typing

A right click is generated by tapping the mouse icon in the system tray. After tapping, the mouse icon highlights the right button of the icon in red. The next touch screen tap is treated as a right click. The mouse icon returns to the left button highlighted in red so subsequent taps are treated as left clicks.

A digitizer replacement kit is available.



To prevent damage or malfunction, always dry the touch screen when wet.

Chapter 2. Getting Started

This section provides an outline of the steps necessary to setup a new LUNA 3. A detailed guide follows the listed items, see as follows.

For additional technical assistance, contact your RuggON representative. See “*Contacting RuggON*” on page 34.



It is recommended to installing or remove accessories on a clean, well-lit work surface. To protect yourself and the device from electrostatic discharge, wear anti-static wrist straps or place the device on an anti-static mat.

First Time Use

LUNA 3 is under “Battery Ship Mode” and will not power on to preserve the battery and prevent power loss. To enable “Regular Mode” and activate the battery, please connect the power adapter to power on.

Charging the Battery

When you use the AC adapter to connect your LUNA 3 to a power outlet, the standard or extended (optional) battery will automatically begin to recharge.

WLUNA 3 supports 2 USB Type C connections and either one can be used for power charging. Connect the AC adapter to the either USB Type C port for charging;

1. Connect the AC adapter to the DC-IN port

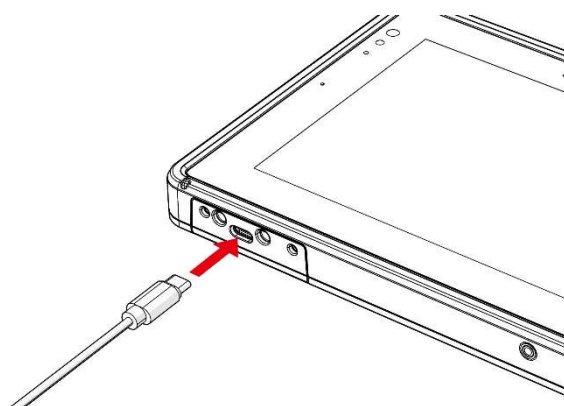


Figure 8. Opening the DC-IN Cover



Please always use AC adapter included in the package. If user wants to use other Type C PD adapter, please make sure that adapter can provide more than 65 watt power.

Powering the Device On and Off

Powering On the Device

Only power on the LUNA 3 after connecting all of the peripherals and cabling.

1. Press and hold the power button until the screen lights. The device runs through the start up sequence and powers up.

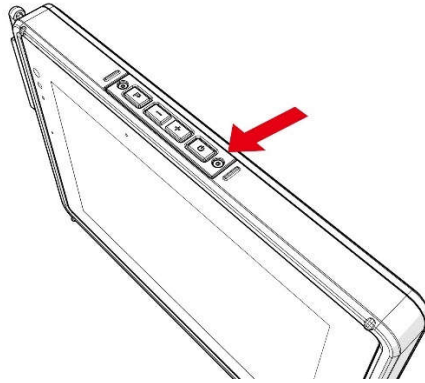




Figure 9. Power On the LUNA 3

Powering Off the Device

- Start screen:
Tap  > **Shut down**.
- Desktop screen:
 1. Tap and hold  at the bottom left corner of the Desktop screen.
 2. Tap **Shut down or sign out** > **Shut down**.
- Both Start screen and Desktop screen:
 1. Display charm bar and tap **Settings**.
 2. Tap **Power** > **Shut down**.

Using the Digitizer

Following the information below when using a digitizer:

- Use only the included digitizer to touch the screen. Do not place any objects on its surface and do not press down strongly with sharp-pointed or hard objects that may leave marks (e.g., nails, pencils and ball point pens).
- Use the digitizer only for touching the screen. Using it for any other purpose may damage the digitizer and result in scratches on the screen.
- The digitizer uses electromagnetic induction and may not work properly near strong electrical field or magnetic field such as:
 - Near AM radio base stations or relay station antennas
 - Near CRT displays that generate strong electromagnetic field noise

Move the digitizer away from such locations so it works properly.

- The pointer cannot follow the digitizer movement if you move the digitizer too quickly.

To make a selection, tap the screen once with the digitizer. To double-click, tap twice without pausing. To do a right-click, tap the screen once and hold the tip of the digitizer on the screen, the right-click icon appears. Press the click button is the same as a right click.

Installing the Pen Holder

Pen holder and screws are included in the package.

1. Install pen holder with screws to the Luna 3.

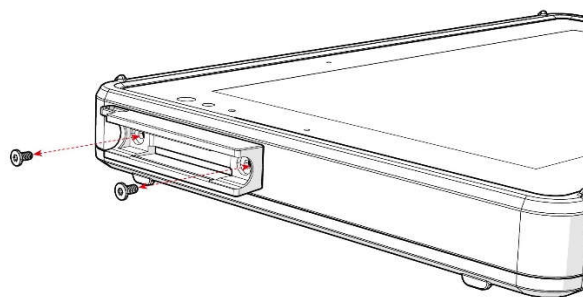


Figure 10. Removing the Protective Film

Chapter 3. Operation

Connect USB Cabling

The LUNA 3 has two full function USB Type C port so user can connect USB devices, PD monitor or PD AC power adapter via USB Type C connection.

Connect to USB device via USB cable.

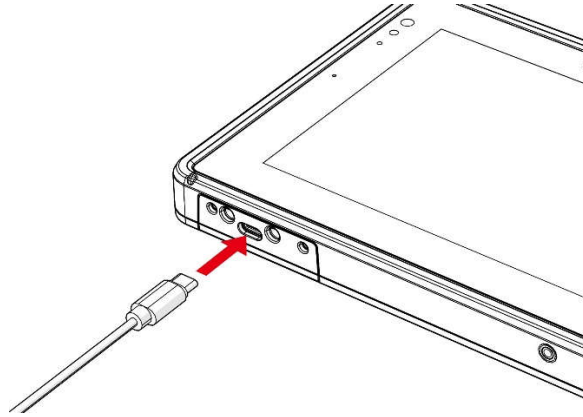


Figure 11. Connect USB Cabling

Installing the Standard Battery

The following instructions are for both standard and extended batteries. The extended battery is an optional component. Only use components specifically designed for this device. Contact your local representative for ordering information.



Make sure the power switch is switched to ON before installing the standard/extended battery.

1. Place the device display side down on a clean work surface.
2. Locate the battery.

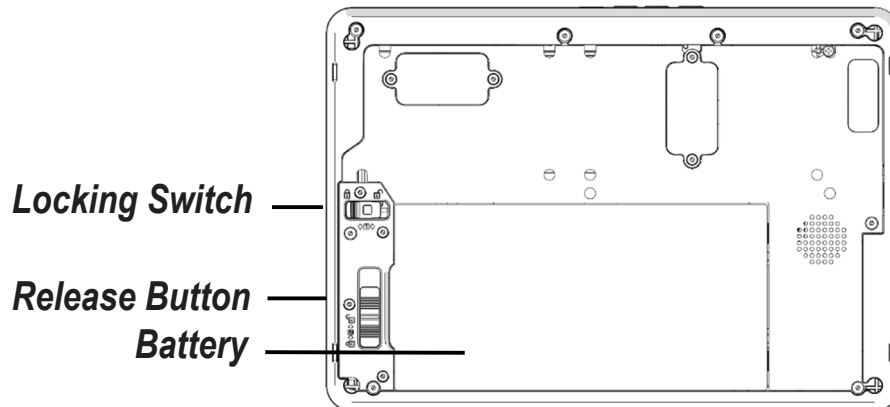


Figure 14. Rear View: Locating the Battery

3. Align the tabs on the battery with the slots on the chassis.
4. Angle the battery in place and set the tabs in the chassis slots.
5. Lower the raised end of the battery and press in place until an audible click is heard.

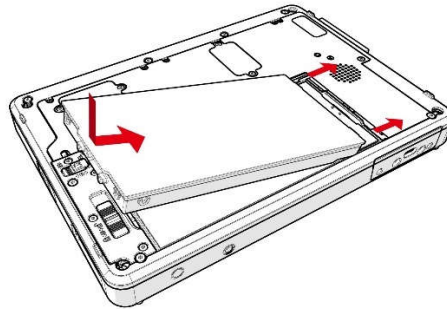


Figure 15. Installing the Battery

6. Slide the locking switch on the top-left side to lock the battery.

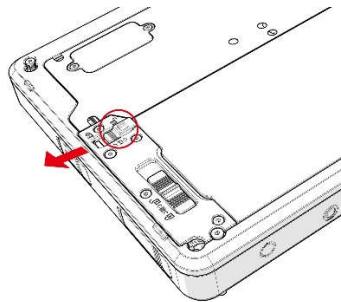


Figure 16. Locking the Battery



Make sure the latch is securely locked to prevent the battery from falling.

Removing the Standard Battery

1. Place the device display side down on a clean work surface.
2. Locate the battery.

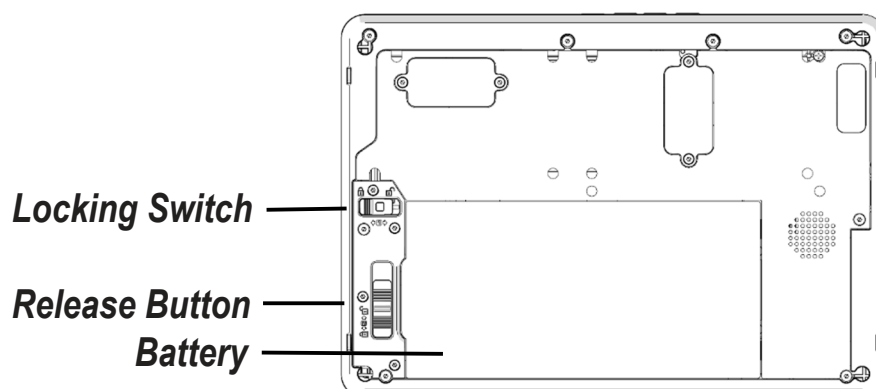


Figure 17. Rear View: Locating the Battery

- Slide the locking switch on the top-left side to the unlock position.

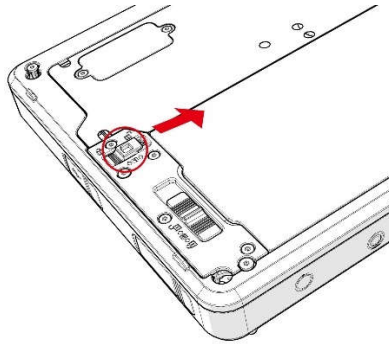


Figure 18. Unlock the Battery

- Press and hold the release button as shown in the image to release the battery.
- Hold the battery and angle the left side up to remove.

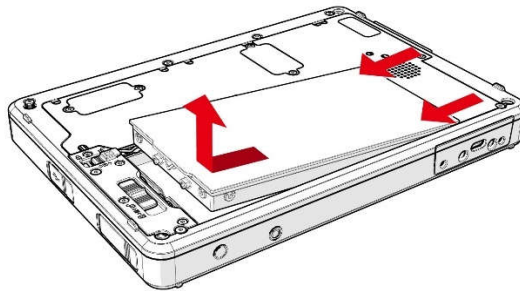


Figure 19. Removing the Battery

Checking Battery Status

You can check battery status via the LED indicators at the back of the battery. Press the battery button, the LED indicators will show the battery status as below:

Table 7. Battery LED Status

Battery Status	LED Indicator
Above 75% capacity	Four indicators on
50% - 75% capacity	Three indicators on
25% - 50% capacity	Two indicators on
10% - 25% capacity	One indicator on
Below 10% capacity	One indicator blinking

Connecting to a Wireless Network

Before you can make use of the LUNA 3 wireless functions, you need to connect to a network. The following is a set of procedures for connecting to a wireless network.

1. Before beginning, make sure your Wi-Fi setting is enabled and you are within range of a wireless network. If your Wi-Fi setting is disabled, proceed to step 2.
 - Look at the Network icon located at the right side of the taskbar. If the icon displays an X in a red circle, you are not within range of a wireless network. Move to a different spot until the Wi-Fi icon changes status indicating availability to a wireless network.
2. From any screen, open the Charms bar by sliding your finger inward from the screen's right edge. The Charms bar displays along the screen's right side.
3. In the Charms bar, tap **Settings** to open the **Settings** menu.
4. In **Settings**, tap the Network icon to display the Networks connection settings.
5. The Wi-Fi menu displays. By default, the Wi-Fi menu is set to Off. Tap the bar next to Off to toggle Wi-Fi to On. This enables the Wi-Fi option.
6. Once W-Fi is enabled a listing of all available wireless networks displays. The wireless networks with the strongest signal are atop the list.
7. Select the network you want to connect to, and tap the **Connect** button. You can tap the **Connect Automatically** check box if you connect to this network frequently. If you connect to the network, you are finished with the process. The network is considered an Open unsecured network, no password is required.
8. If a password is required, type the password in the **Enter the network security key** field. Alternatively, you can also push the WPS button on your router to begin the security handshake.
9. Tap **Next** to finish the connection process.

You have successfully connected to a wireless network.

Chapter 4. Using BIOS Setup Utility

Your ruggedized tablet has a BIOS setup utility which allows you to configure important system settings, including settings for the Boot and AP menus as well as the device's basic settings--the system reads the basic settings during initialization in order to boot correctly

When to Use the BIOS Setup Utility

You need to run the BIOS Setup utility when:

- Restoring to BIOS settings to factory default
- Modifying specific hardware settings
- Modifying specific settings to optimize system performance
- Installing Windows operating system

Accessing the BIOS Setup Utility



The BIOS Setup Utility screens shown in this chapter are for your reference only. The actual images or settings on your tablet computer may differ.

The BIOS Setup Utility program may have been updated after the publication of this manual.

To run the BIOS Setup Utility, use the following procedures:

1. Perform one of the following:
 - If the LUNA 3 is powered off
Press the Power button to start up the device. The power LED lights. Quickly press and hold the P key until the BIOS Post screen displays.
 - If the LUNA 3 is powered on
Press the Power button to shut down the device. Quickly press and hold the P Key until the BIOS Post screen displays.

The BIOS POST screen appears as shown.

2. From the BIOS POST screen select **App Menu** to open the BIOS Setup Utility.

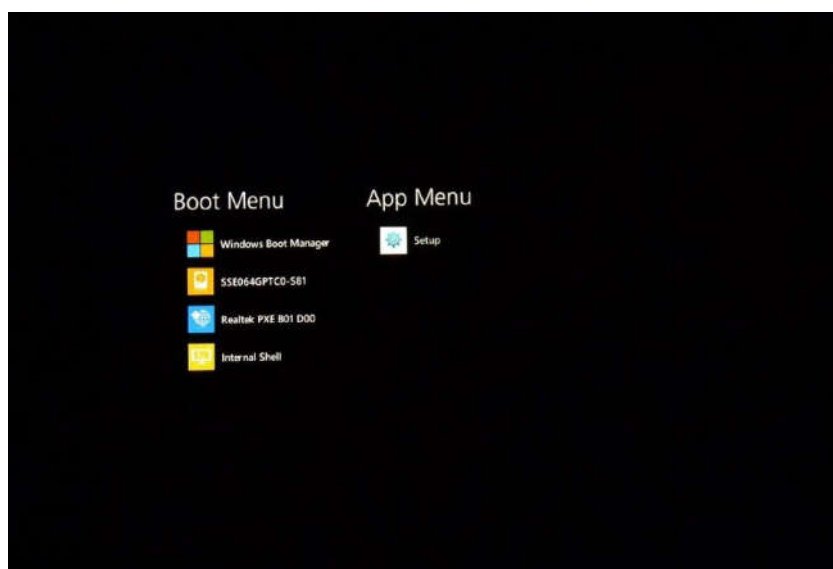


Figure 20. BIOS POST Screen

Using BIOS Setup Utility

Due to the device's fast boot up and boot down time, there is only a small time frame of a few seconds between the release of the Power button and the opportunity to press the P key.

The App Menu displays.

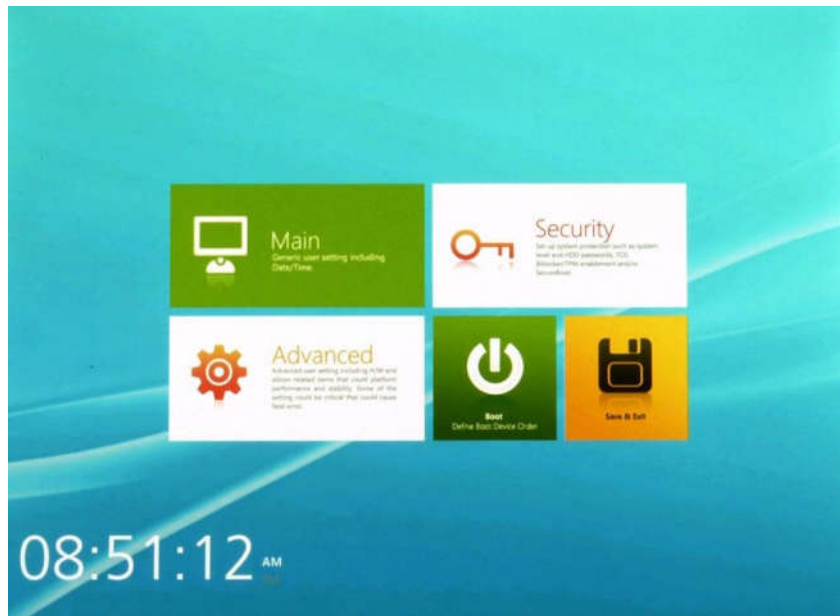


Figure 21. BIOS Setup Utility: App Menu Screen

BIOS Passwords

Setting Up a Supervisor Password

To setup a supervisor password, follow the procedure as described:

1. Go to **APP Menu > Security > Account's Password Status**.

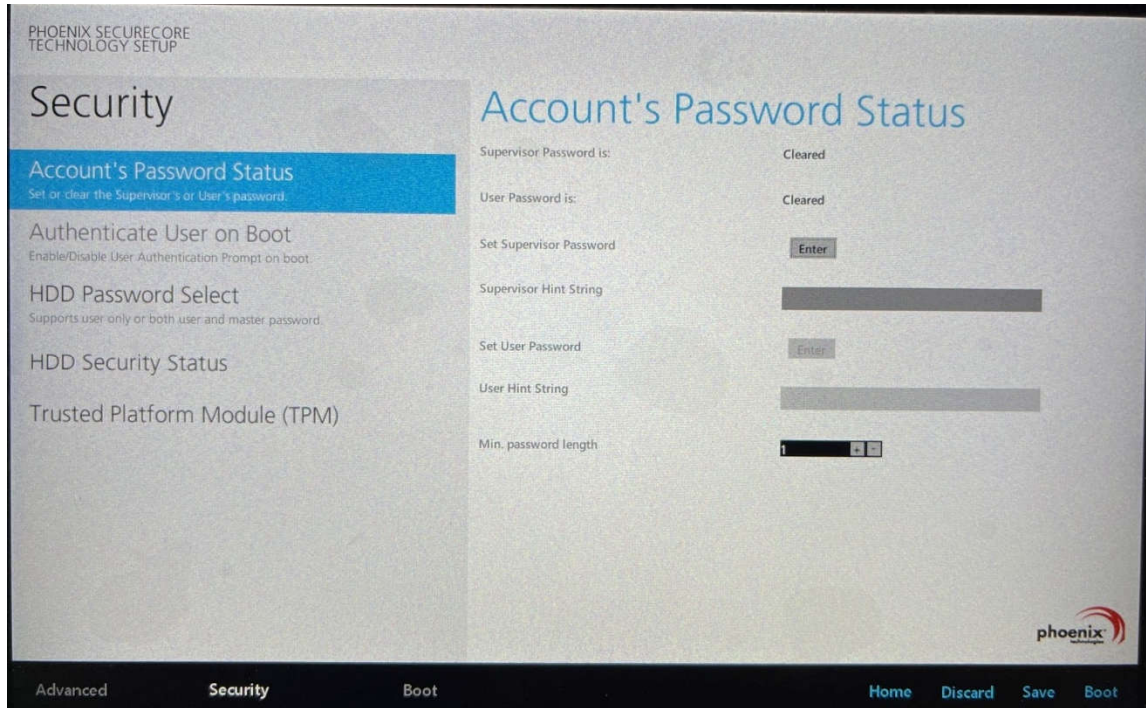


Figure 22. Security > Account's Password Status

2. Tap the **Enter** icon next to **Setup the Supervisor Password** to access the virtual keyboard.
3. Tap the password to use for the Supervisor profile and tap **Enter**.

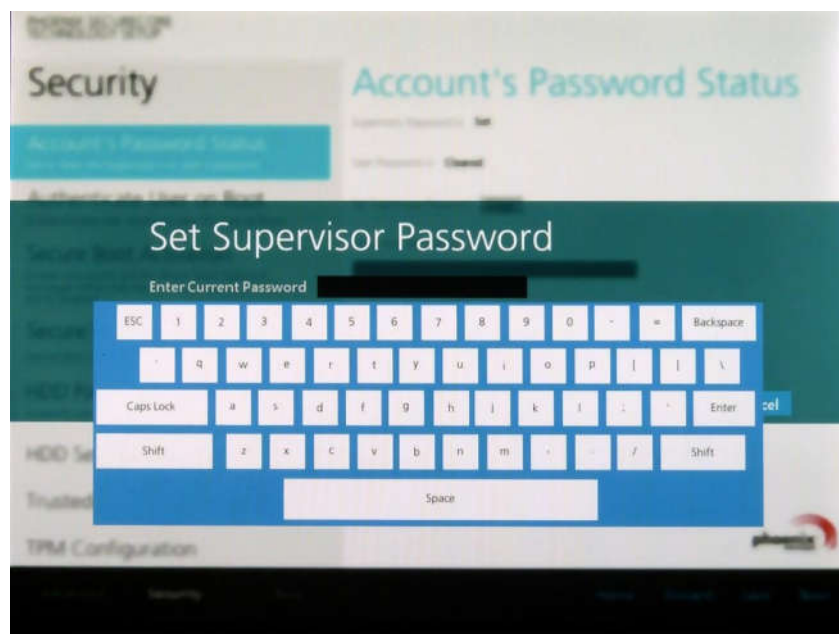


Figure 23. Set Supervisor Password

4. Verification of the password is required. Tap the same password again and tap **Enter** to confirm the new password.
5. Navigate to **APP Menu > Exit**.

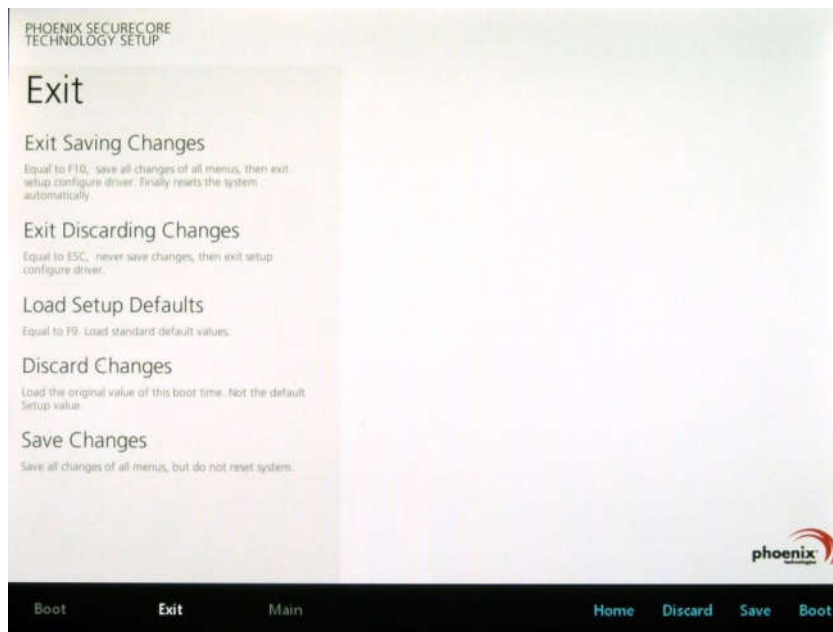


Figure 24. Exit Screen

6. Tap **Exit Saving Changes** to display the confirmation screen.
7. Tap **Yes** to save the new configuration settings.

After setting the Supervisor password, the password is required to access the BIOS Setup Utility.

Changing a Supervisor Password

1. Navigate to **APP Menu > Security > Account's Password Status**.
2. Tap the **Enter** icon next to **Setup Supervisor Password**.
3. Enter the current supervisor password.
4. Enter a new password.
5. Enter the new password again to confirm.
6. Go to **APP Menu > Exit**.
7. Tap **Exit Saving Changes** and tap **Yes** to save the configuration.

Resetting a Supervisor Password

A supervisor password can not be reset. In the event that you forget the supervisory password, you will need to reflash the BIOS to enter the BIOS menus. Refer to *“Updating BIOS”* on page 38 to reflash the BIOS.

EC and BIOS

Updating BIOS

This procedure allows you to update and re-flash the system BIOS. Both procedures follow the same steps as described in the following.



Make sure to protect your device from power loss during the BIOS update procedure to prevent irreparable damage to your system's mainboard.

For this procedure, it is highly recommended to connect the device to the AC adapter to prevent a sudden loss of power during the BIOS updating process.

1. Contact your technical sales or technical representative to obtain the correct BIOS file.
2. Copy the BIOS file on to the USB device.
3. Connect the USB device to one of the device's USB ports and power on the LUNA 3.



A USB keyboard is required for entering command.

4. Once the device is on and the Windows 10 Home screen displays open the Notification Center by sliding your finger inward from the screen's right edge.
5. Tap **All Settings** from the displayed menus.

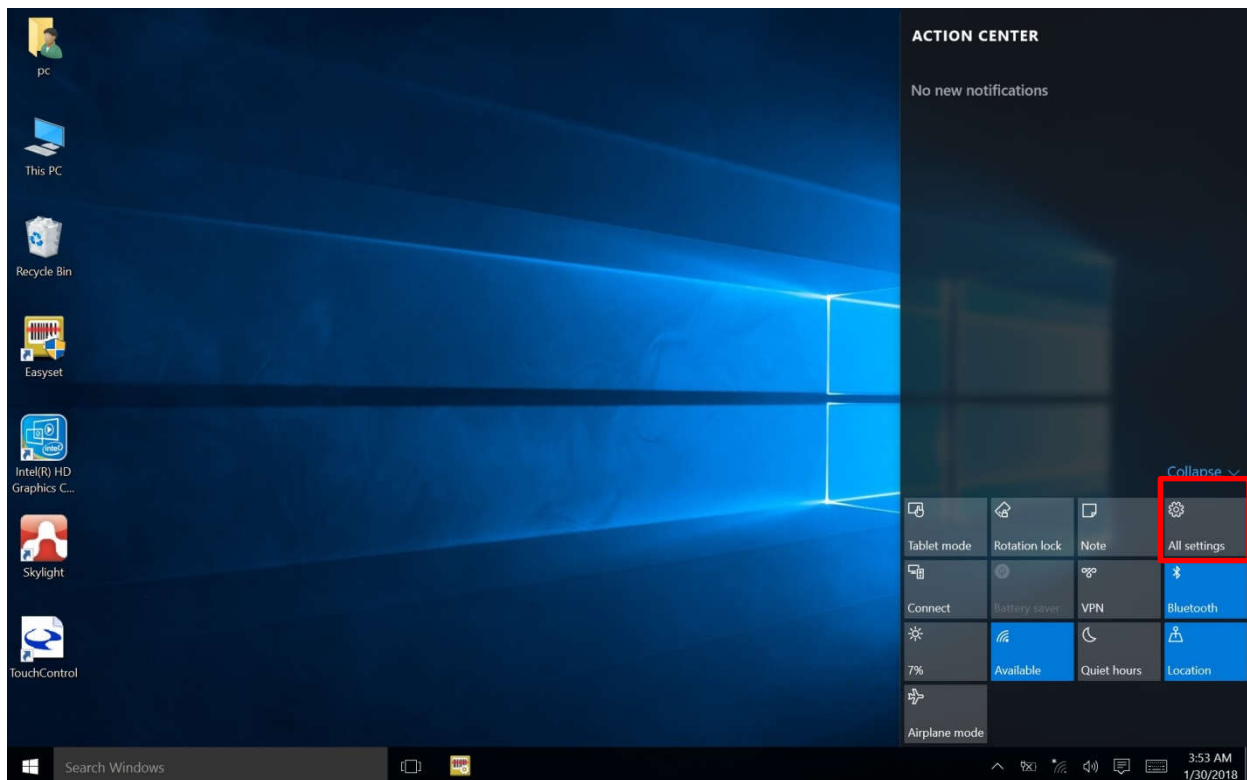


Figure 25. Notification Center > All Settings

6. Tap **Update & Security**.

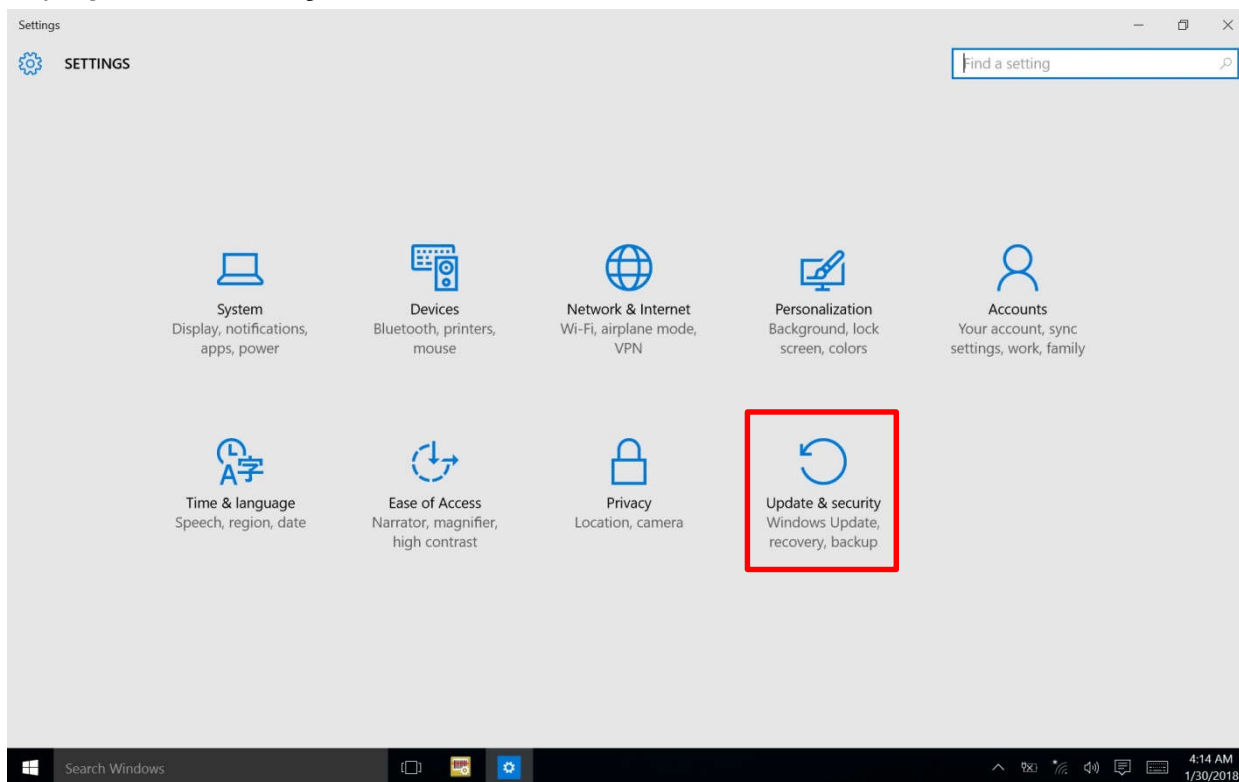


Figure 26. Update & Security

7. From the **Update & Security** screen, tap **Recovery**, then tap **Restart now**

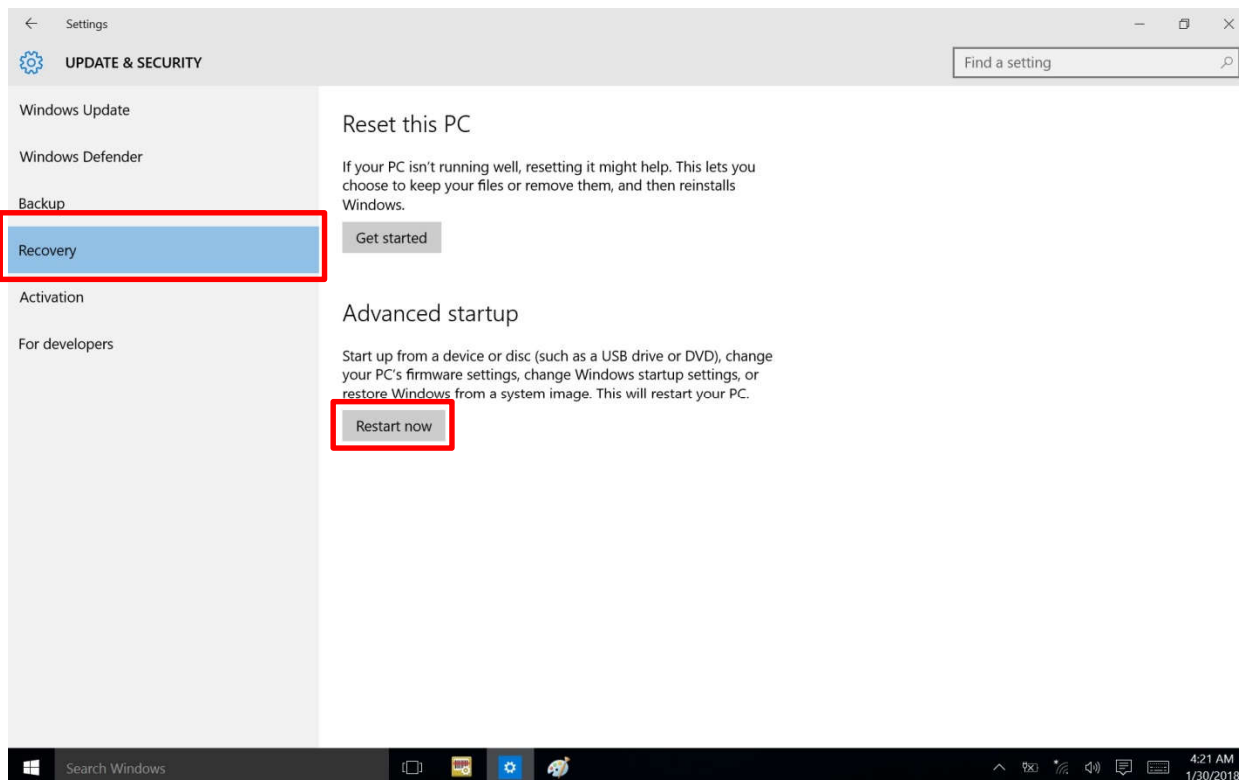


Figure 27. Recovery

8. Tap **Use a device** to select a boot up preference.

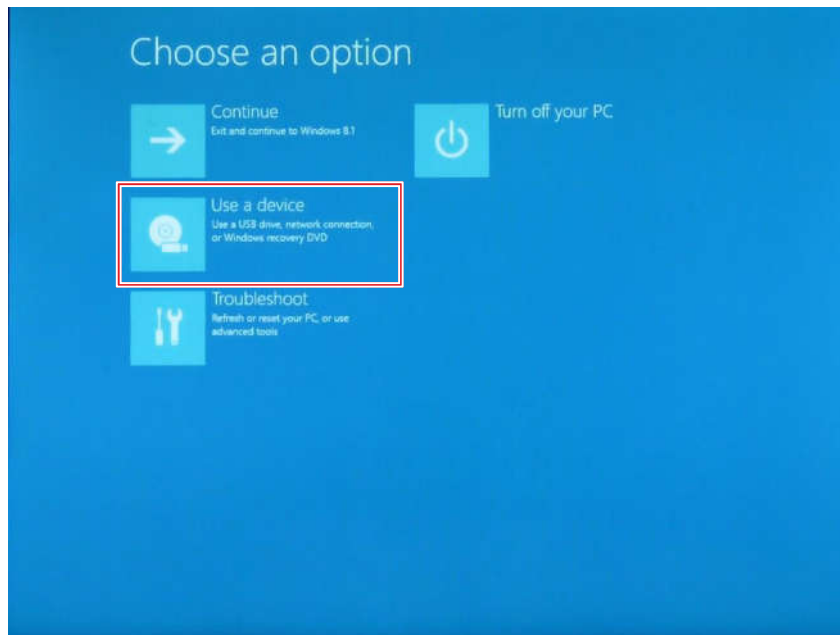


Figure 28. Use a Device

9. From the **Use a device** menu, tap **Internal Shell** to open the commandscreen.



Make sure connect the LUNA 3 to the AC adapter to prevent a sudden loss of power.

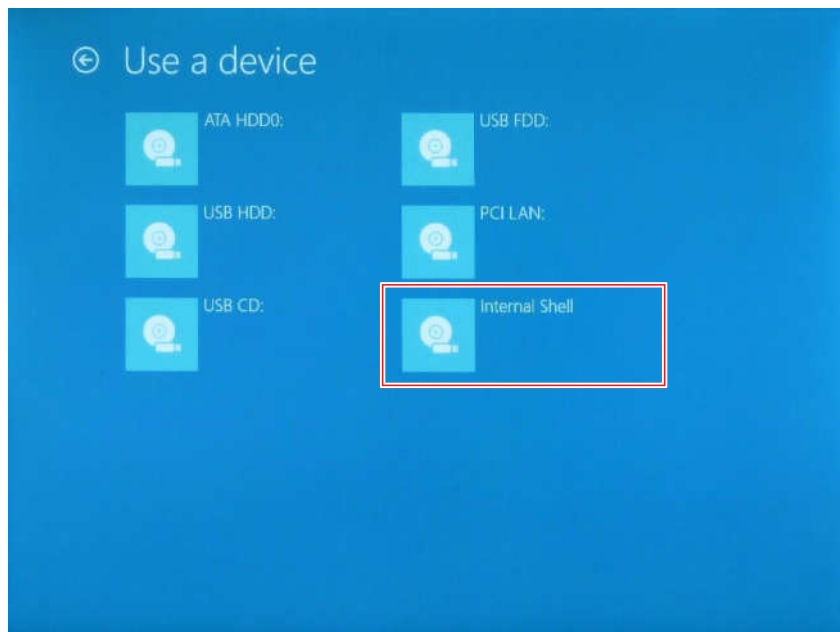


Figure 29. Internal Shell

10. In the command screen, enter `fs1 :` to select the USB device already connected to the device. The command directs you to the USB device's root menu.

```
EFI Shell version 2.31 (4660.221361)
Current running mode 1.1.2
Device mapping table
fs0 :HardDisk - Alias hd19c blk0
      Acpi (PNP0A03.0)/Pci (1310)/Sata (0,0,0)/HD (Part2, Sig632a7c85-549a-4a90-a1fc-809ca105bf3a)
fs1 :Removable BlockDevice - Alias f20a0 blk1
      Acpi (PNP0A03.0)/Pci (1410)/Usb (0,0)
blk0 :HardDisk - Alias hd19c fs0
      Acpi (PNP0A03.0)/Pci (1310)/Sata (0,0,0)/HD (Part2, Sig632a7c85-549a-4a90-a1fc-809ca105bf3a)
blk1 :Removable BlockDevice - Alias f20a0 fs1
      Acpi (PNP0A03.0)/Pci (1410)/Usb (0,0)
blk2 :HardDisk - Alias (null)
      Acpi (PNP0A03.0)/Pci (1310)/Sata (0,0,0)/HD (Part1, Sig4BE671EF-2784-4990-8B03-86836FBB0E07)
blk3 :HardDisk - Alias (null)
      Acpi (PNP0A03.0)/Pci (1310)/Sata (0,0,0)/HD (Part3, SigE75F2a22-F220-419B-BEC2-A05D73a37FC6)
blk4 :HardDisk - Alias (null)
      Acpi (PNP0A03.0)/Pci (1310)/Sata (0,0,0)/HD (Part4, Sig2CED0758-5200-4BC6-8761-0965185EA9B4)
blk5 :BlockDevice - Alias (null)
      Acpi (PNP0A03.0)/Pci (1310)/Sata (0,0,0)

Press ESC in 1 seconds to skip startup.nsh, any other key to continue.
Shell> _
```

Figure 30. Internal Shell Command Screen

11. If the BIOS file is in a folder and not in the root directory, navigate to the target folder.
12. Type `wf (.nsh)` and tap Enter. `wf` is the designated BIOS file.
Do not turn off your device or interfere with the reflash process until the process is complete.
13. Once the process is complete, the LUNA 3 automatically reboots. The BIOS is now updated.

Updating EC



Connect the LUNA 3 to the AC adapter to prevent a sudden loss of power.

1. Updating EC requires the use of the Internal Shell Command menu, refer to steps 1 to 12 of “Updating BIOS”.
2. Enter the EC source file folder.
3. In the source folder, enter `f`.
4. Do not turn off your device or interfere with the re-flash process until the process is complete. The system reboots once the process is completed.

Chapter 5. Using the DashON Utility

Overview

The DashON resident program is designed to provide near-instant access to your device's settings and configuration within a single, easy to use interface.

The following information illustrates and describes the various settings available for configuration through the DashON menus.

Important: Do not terminate or remove the DashON program manually or the ambient light sensor and the function buttons will be malfunction.

Download the latest information and documentation through the RuggON official site:

<https://www.ruggon.com/>



Figure 31. DashON Overview

Function	Description
EXIT	Minimize DashON and return to the desktop.
Button Lock	Lock or unlock all the physical buttons except Power button.
Touch Setting	Change touch mode (Finger/Stylus/Glove)
Battery	Shows the battery level or charging status.
Brightness	Adjust brightness level and enable or disable auto brightness function.
Volume Control	Adjust volume level and enable or disable mute function.
SOH	Shows battery health status.
Touch Screen Lock	Lock or unlock the touch screen.
ECO Mode	Disable or enable ECO mode to save battery life when using the device.
Power Plan	Manage how your tablet uses power.
Info Viewer	View system specifications. The menu is for display only.
Display Switch	Choose a display mode when connect to another output device.
Button Setting	Pre-defined functions settings. Supports function button customizing.
Camera	Quick execute camera apps.

Chapter 6. Troubleshooting

Use the troubleshooting tables in this section to fix problems with the Wi-Fi connection, 802.1x security, or general problems with operating the computer.



If you send the computer in for service, it is your responsibility to save the computer data and configuration. RuggON is responsible only for ensuring that the hardware matches the original configuration when repairing or replacing the computer.

Troubleshoot the Wi-Fi Connection

Use this troubleshooting table to help solve problems with your 802.11 radio connection.

- Q.** When you turn on the computer after it was suspended for a while (10 to 15 minutes or longer), it can no longer send or receive messages over the network.
- A.** Host may have deactivated or lost current terminal emulation session. In a TCP/IP direct connect network, turn off the “Keep Alive” message from host to maintain the TCP session while the computer is suspended.
- Q.** The computer is connected to the network and you move to a new site to collect data. Your computer now shows you are not connected to the network.
- A.** Move closer to an access point or to a different location to reestablish communications until you reconnect with the network.
- Q.** The computer appears to be connected to the network, but you cannot establish a terminal emulation session with the host computer.
- A.** There may be a problem with the host computer, or with the connection between the access point and the host computer. Check with the network administrator to make sure the host is running and allowing users to log in to the system.
- Q.** The computer appears to be connected to the network, but the host computer is not receiving any information from the computer.
- A.** There may be a problem with the connection between the access point and the host computer. Check with the network administrator or use your access point user’s manual.
- Q.** A network connection icon appears in the toolbar, but then disappears.
- A.** The computer may not be communicating with the intended access point. Make sure the network name matches the access point network name.
The access point may not be communicating with the server. Ensure the access point is turned on, properly configured, and has 802.1x security enabled.

Troubleshoot Operating the Computer

Use this section to troubleshoot problems that may prevent you from being able to operate the computer.

Q. You press the Power button and nothing happens.

A. Make sure that power is connected to the computer.

Q. The computer appears to be locked up and you cannot enter data.

A. Restart the computer.

Call Product Support

Simple instructions please contact the dealer, contact RuggON representative, or leave a message visit the RuggON website at <https://www.ruggon.com>.

To better assist you have the following information ready:

- Configuration number
- Serial number
- Operating system, BIOS, and MCU versions
- Service pack version
- System component versions
- If you are using security, know the type and the full set of parameters

Chapter 7. Maintenance

Cleaning the Device



Danger to electric shock when cleaning or maintaining the LUNA 3.

To avoid electric shock, turn the LUNA 3 off and disconnect it from the power supply before cleaning or maintaining it.

Housing

- The housing of the LUNA 3 is best cleaned with a damp cloth.
- Use compressed air, a high-pressure cleaner or vacuum cleaner may damage the surface.
- Use a high-pressure cleaner, the additional risk of water entering the LUNA 3 may damage the electronics or touch screen.

Touch Screen

- Use neutral detergent or isopropyl alcohol on a clean soft cloth to clean the panel surface.
- Prevent using any kind of chemical solvent, acidic or alkali solution.

Returning the Device

Please put the contents in the original package gently when you need to return the LUNA 3.

Contacting RuggON

If you experience technical difficulties, please consult your distributor or contact the technical services department:

<https://www.ruggon.com>

