

iBKS Plus10 Datasheet



ABSTRACT

iBKS Plus Technical Data

AUDIENCE

This document is primarily focused for engineers or other users with a technical profile

FEATURES

- 🌀 Advertising **Beacon** Device
- 🌀 **Bluetooth Low Energy®**
- 🌀 Full **Eddystone** & **iBeacon** compatible
- 🌀 100% Configurable Parameters
- 🌀 Firmware update **Over The Air** (OTA)
- 🌀 Dust & Waterproof performance: **IP67** Certified
- 🌀 External button to enable/disable and configure with a status LED
- 🌀 Provided with your own configuration (MOQ 50 units)
- 🌀 Screws/ flanges/ sticker for deploying
- 🌀 Additional optional sensors available
- 🌀 **FCC** & **CE** Certifications

Revision 2 | November 2018

Table of Contents

- FCC Statement 2
- 1. Specifications 4
- 2. iBKS Plus10 Mechanical Draws 5
- 3. Button Functionality 5
- 3.1 Turn ON iBKS Plus 6
- 3.2 Turn OFF iBKS Plus 7

FCC Statement

This device complies with part 15 of the FCC Rules. Operation is subject to the following two conditions: (1) This device may not cause harmful interference, and (2) this device must accept any interference received, including interference that may cause undesired operation.

Changes or modifications not expressly approved by the party responsible for compliance could void the user's authority to operate the equipment.

Note: This equipment has been tested and found to comply with the limits for a Class B digital device, pursuant to part 15 of the FCC Rules. These limits are designed to provide reasonable protection against harmful interference in a residential installation. This equipment generates, uses and can radiate radio frequency energy and, if not installed and used in accordance with the instructions, may cause harmful interference to radio communications. However, there is no guarantee that interference will not occur in a particular installation. If this equipment does cause harmful interference to radio or television reception, which can be determined by turning the equipment off and on, the user is encouraged to try to correct the interference by one or more of the following measures:

- Reorient or relocate the receiving antenna.
- Increase the separation between the equipment and receiver.
- Connect the equipment into an outlet on a circuit different from that to which the receiver is connected.
- Consult the dealer or an experienced radio/TV technician for help.

This device complies with Industry Canada licence-exempt RSS standard(s).

Operation is subject to the following two conditions: (1) this device may not cause interference, and (2) this device must accept any interference, including interference that may cause undesired operation of the device.

Le présent appareil est conforme aux CNR d'Industrie Canada applicables aux appareils radio exempts de licence. L'exploitation est autorisée aux deux conditions suivantes : (1) l'appareil ne doit pas produire de brouillage, et (2) l'utilisateur de l'appareil doit accepter tout brouillage radioélectrique subi, même si le brouillage est susceptible d'en compromettre le fonctionnement.

This equipment complies with Industry Canada radiation exposure limits set forth for an uncontrolled environment.

Cet équipement est conforme à l'exposition aux rayonnements Industry
Canada limites établies pour un environnement non contrôlé.

1. Specifications

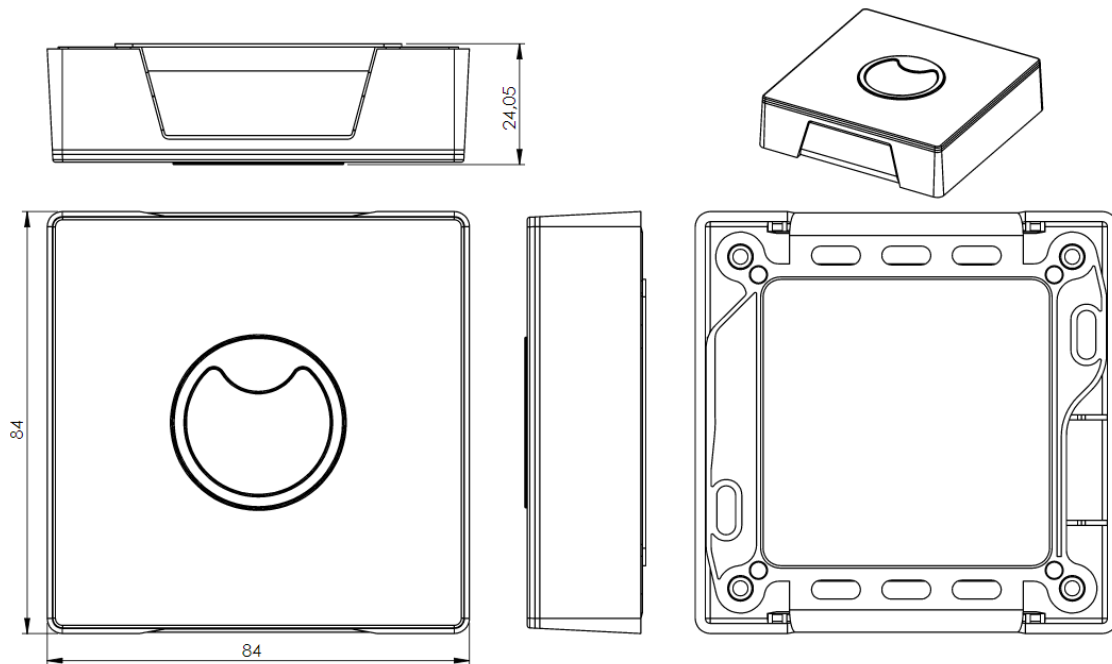
This section contains electrical, mechanical and software specifications for iBKS Plus10

Dimensions	84 x 84 x 24 mm	Case material	ABS
Weight	153g (Lithium)	Case finish	Matte white
Core	Nordic nRF52832	Button material	TPU
Radio Protocol	Bluetooth® Low Energy	Button finish	Matte black
Output power	Up to 10 dBm	Fixing method	Double side sticker Screws Flanges
Battery	4 AA size	Operating Temperature	Related to battery type (see below)
Optional Sensors	Hall Accelerometer Temperature	Storage Temperature	Related to battery type (see below)
Firmware Update	OTA (Over The Air)	Beacon Protocols	iBeacon Eddystone: UID, URL, TLM & EID
Idle Current Consumption	3.5 to 3.8µA	Certifications	CE & IP67

Lithium Battery

Battery Type	4 AA - 3.6V - 2600mAh	Operating Temperature	-40 to +85°C
Total Capacity	3.6V - 10400mAh	Storage Temperature	5 to 30°C

2. iBKS Plus10 Mechanical Draws



All dimensions in mm

3. Button Functionality

IMPORTANT:

This chapter applies from firmware version EDSTEID V5.2016.06.29.1 onwards.

By default, iBKS Plus10 comes from factory with batteries already installed. In order to avoid wasting energy, iBKS Plus10 is set to the off mode*.

*In the off mode, the Core is in sleep mode and the power consumption is rated to 3.5 μ A.

3.1 Turn ON iBKS Plus

1 Push button once



2 LED will start blinking for 30 seconds



⌚ During these 30 seconds, the iBKS Plus is in connectable mode independently of the user mode configured. If the iBKS Plus is locked, the password will be also required to connect.

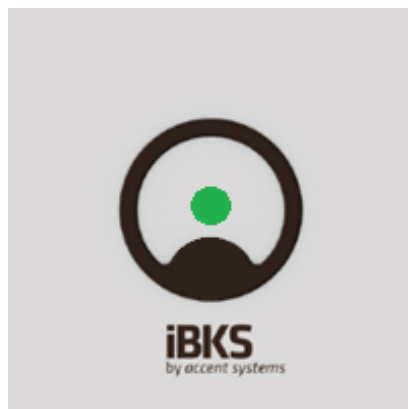
3 After 30 seconds, the iBKS enters in the user set mode.

3.2 Turn OFF iBKS Plus

1 Push button once



2 LED will stay on for 3 seconds



3 The iBKS entries in the off mode

- ☞ In this status, the core is in sleep mode and will remain until the user turn it on again. The power consumption in this mode is rated to 3.5 μA .

IMPORTANT:

If Eddystone EID frame is enabled, even the frame will not be advertised in this mode, the Core will wake up to keep the EID synchronization every defined period of time by the user through EID Rotation Period (K). In that case, the power consumption is rated to 3.8 μA .



www.accent-systems.com

WHERE TO FIND US

Barcelona
Terra Alta, 1-3 (Pol. Ind. Can
Carner)
08211 Castellar del Vallès
Barcelona - Spain
Telf: (+34) 93.512.51.38

New York
1460 Broadway
New York, NY 10036, USA

SOCIAL

