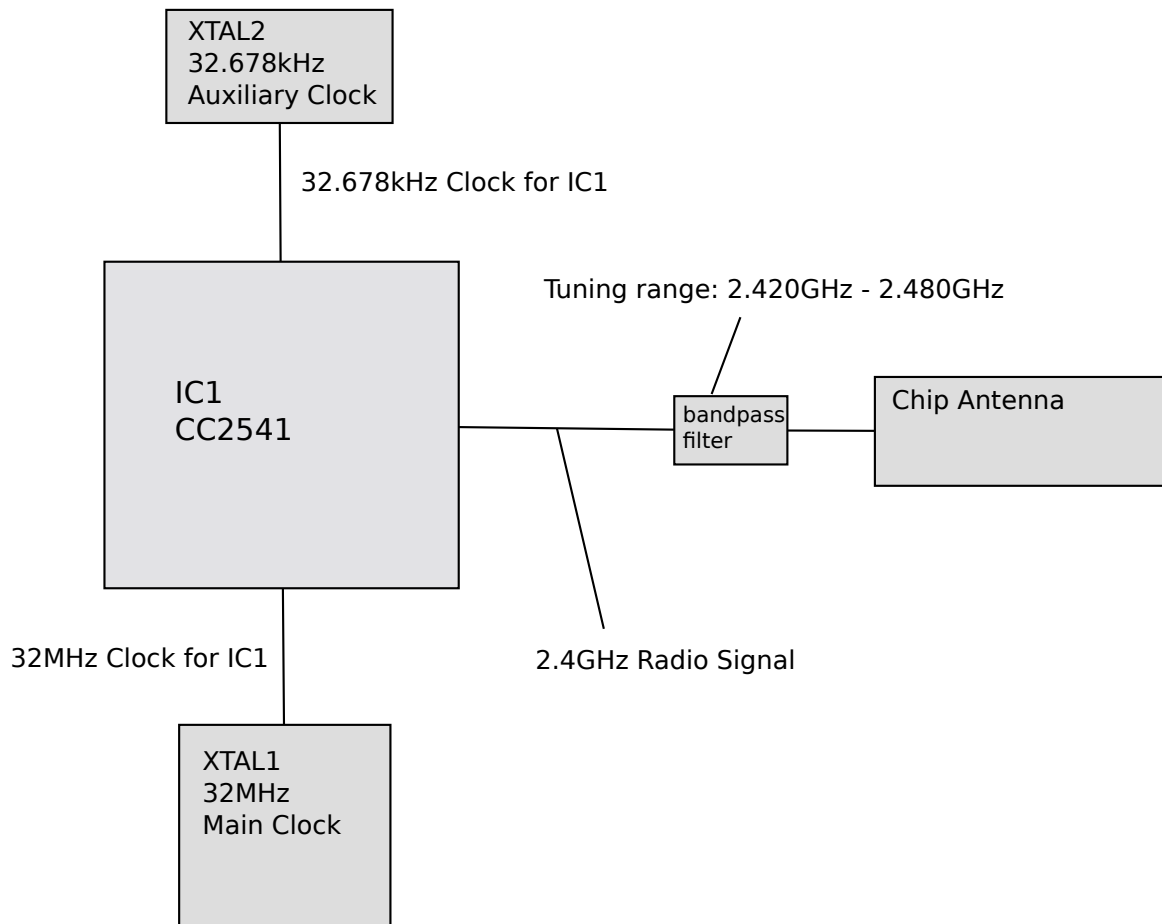


## 2.1033 (5) : Block Diagram and Schematics

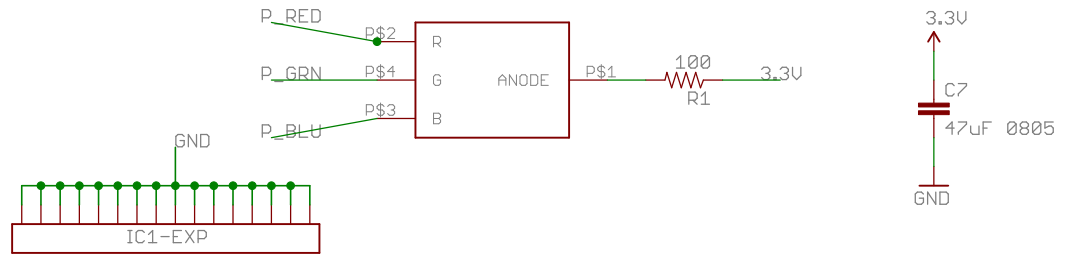
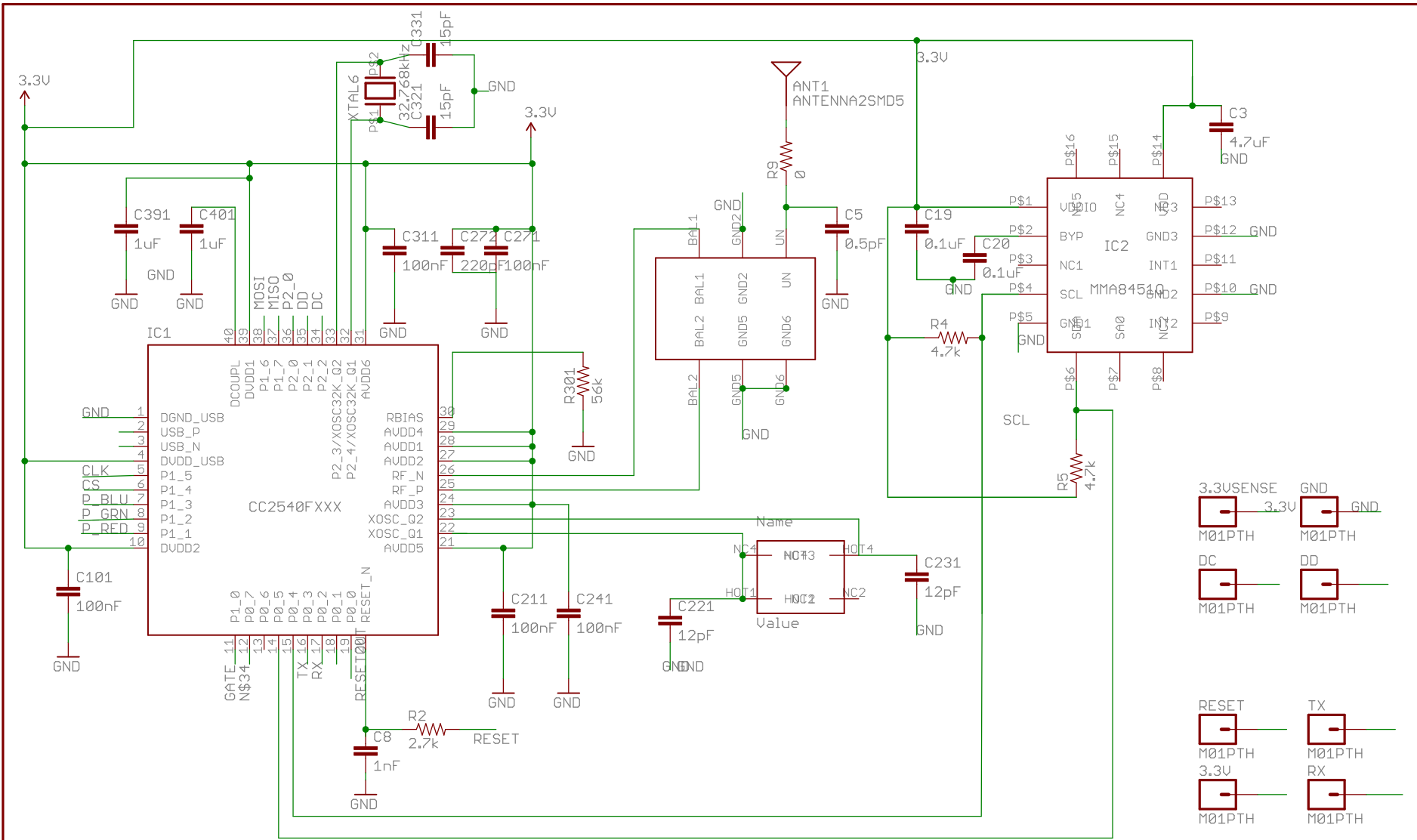
The following illustrates all oscillating components, their respective frequencies and signal paths.



Components:

- \* Main IC1 : CC2541 requires 2 clock sources for internal timing of application and radio
- \* XTAL1 32MHz : provides main clock source for IC1
- \* XTAL2 32.678kHz : provides auxiliary clock source for IC1
- \* Bandpass Filter : Murata chip balun passes bluetooth frequency band to the antenna
- \* Chip Antenna : receives the radio signal

Full schematics and board layout diagrams attached below.



JB Kim	
TITLE: mainboard_prod_90	
Document Number:	REV: 0.3
Date: 2/1/2014 9:47:51 AM	Sheet: 1/1

