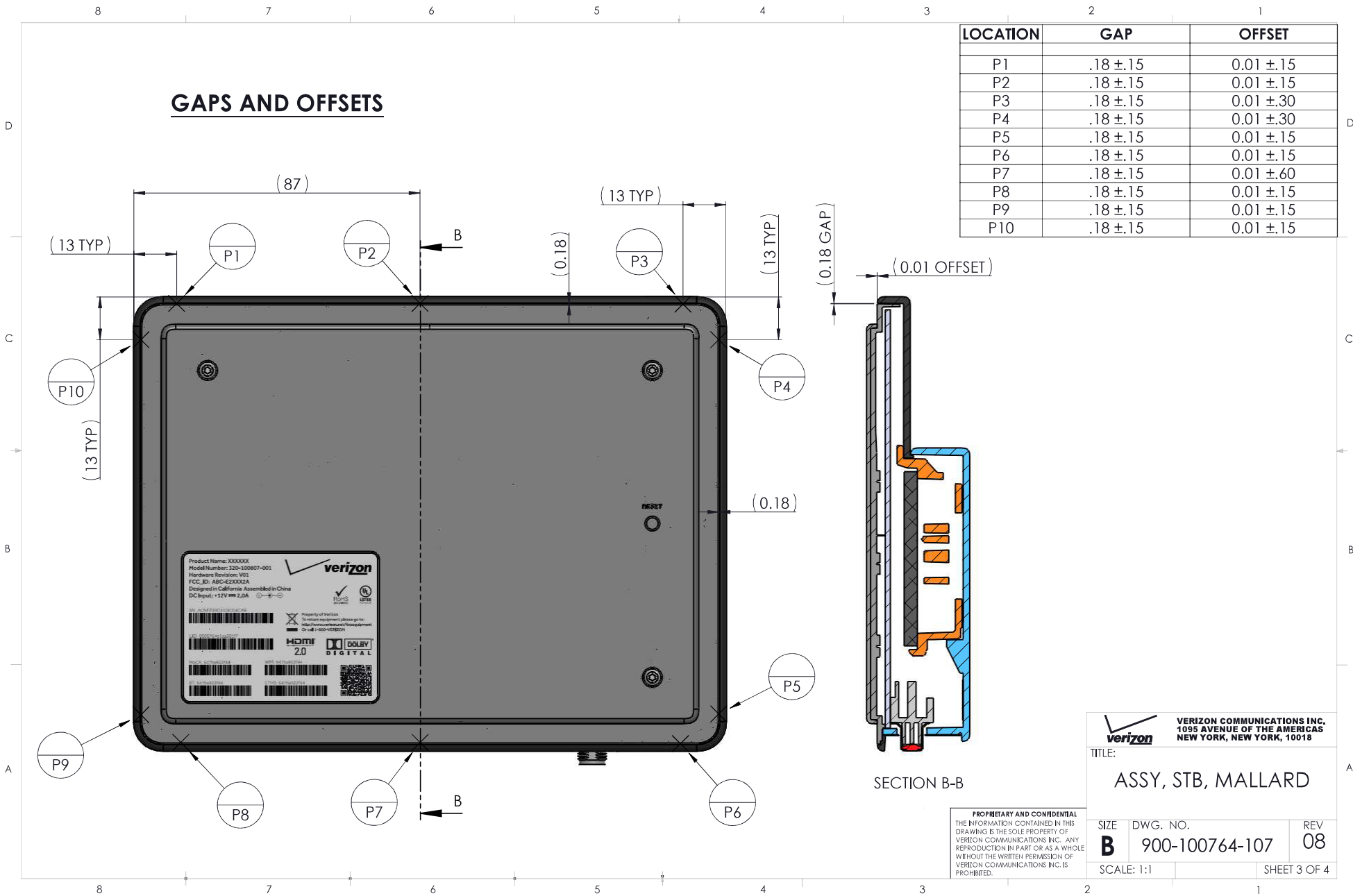


GAPS AND OFFSETS

LOCATION	GAP	OFFSET
P1	.18 ±.15	0.01 ±.15
P2	.18 ±.15	0.01 ±.15
P3	.18 ±.15	0.01 ±.30
P4	.18 ±.15	0.01 ±.30
P5	.18 ±.15	0.01 ±.15
P6	.18 ±.15	0.01 ±.15
P7	.18 ±.15	0.01 ±.60
P8	.18 ±.15	0.01 ±.15
P9	.18 ±.15	0.01 ±.15
P10	.18 ±.15	0.01 ±.15



verizon VERIZON COMMUNICATIONS INC.
1095 AVENUE OF THE AMERICAS
NEW YORK, NEW YORK, 10018

TITLE:
ASSY, STB, MALLARD

PROPRIETARY AND CONFIDENTIAL
THE INFORMATION CONTAINED IN THIS DRAWING IS THE SOLE PROPERTY OF VERIZON COMMUNICATIONS INC. ANY REPRODUCTION IN PART OR AS A WHOLE WITHOUT THE WRITTEN PERMISSION OF VERIZON COMMUNICATIONS INC. IS PROHIBITED.

SIZE B	DWG. NO. 900-100764-107	REV 08
SCALE: 1:1		SHEET 3 OF 4