

Instruction Manual

Hearing Aid



Model No. : HL203,

Health & Life

Table of Contents

About Hearing Aid.....	03
Safety Precautions.....	05
Device Overview.....	06
Features.....	09
Learning to use Hearing Aid.....	10
Position Guide.....	11
Operating Hearing Aid.....	13
Bluetooth pairing.....	15
REMOTE CONTROL.....	16
Charging Hearing Aid.....	17
Cleaning.....	18
Storage and Maintenance.....	19
Troubleshooting.....	20
Limited Warranty.....	21
Specifications.....	22
Safety Standard Information.....	24
NCC.....	25

Medical Disclaimer

This manual and product are not meant as a substitute for advice provided by your doctor.

The hearing aid will not guarantee to restore your hearing back to normal and will not prevent or better hearing loss resulting from inherent circumstances.

You are not to use the information contained herein, or this product for diagnosing or treating a health problem or prescribing any medication. If you have or suspect that you have a medical problem, promptly consult your healthcare provider.

About Hearing Aid

■ What is Hearing Aid?

The Hearing Aid is a medical device that comprises microphone, receiver and speaker for assisting to who has impaired hearing. It amplifies sounds so making the people with hearing impairment can communicate and participate more fully in daily but it cannot restore to normal hearing.

***Note!**

- Before wearing hearing aid, please take medical evaluation by your healthcare provider or who expert in treating ear diseases.

About Hearing Aid

■ What is Hearing Loss?

The hearing loss should be defined in one ear or both ear which ranges from moderate to severe. Grades of hearing impairment as shown in below chart:

Grade of impairment	Corresponding audiometric ISO value	Performance	Recommendations
0 - No impairment	25 dB or better (better ear)	No or very slight hearing problems. Able to hear whispers.	
1 - Slight impairment	26-40 dB (better ear)	Able to hear and repeat words spoken in normal voice at 1 metre.	Counselling. Hearing aids may be needed.
2 - Moderate impairment	41-60 dB (better ear)	Able to hear and repeat words spoken in raised voice at 1 metre.	Hearing aids usually recommended.
3 - Severe impairment	61-80 dB (better ear)	Able to hear some words when shouted into better ear.	Hearing aids needed. If no hearing aids available, lip-reading and signing should be taught.
4 - Profound impairment including deafness	81 dB or greater (better ear)	Unable to hear and understand even a shouted voice.	Hearing aids may help understanding words. Additional rehabilitation needed. Lip-reading and sometimes signing essential.

Grades 2, 3 and 4 are classified as disabling hearing impairment. The audiometric ISO values are averages of values at 500, 1000, 2000, 4000 Hz

Intended Use

HL203 is a hearing aid consists of main unit and earphone. The earphone of HL203 uses air conduction system to receive sounds to your auricle then into ear canal so user can adapt easily to the sound of your hearing aid. This device is recommended for use by adults aged 18 years and older with the hearing detriment user.

Safety Precautions

- * Read the Instruction Manual thoroughly before wearing and keep it at hand for your reference at any time.
- * It's recommended for use by people over the age of 18 and not to use on infant.
- * Before wearing hearing aid, please take medical evaluation by your healthcare provider or who expert in treating ear diseases.

- Before wearing hearing aid, please follow a physician or a trained health professional that is familiar with your medical history to adjust your hearing aid.
- Do not use hearing aid in a low (less than 0°F/0°C) and high (more than 112.9 °F/45 °C) temperature, nor in a place outside humidity ranges (15 % ~ 93 % R.H.) or you may get inaccurate readings.
- Do not take hearing aid as a replacement for medical advice. Seek your doctor, if you have any concerns.
- Do not allow anyone else to wear hearing aid other than you. It may damage their hearing.
- Hearing aid is no water-proof. Do not immerse it in water, or any other liquid.
- The earphone is made of non-allergenic materials, in rare cases skin irritation may occur.
- Do not drop hearing aid, and avoid any strong impact.
- Do not use hearing aid on any body part other than your auricle.
- To realize your hearing loss level, we recommend you take hearing evaluation to trace your hearing loss degree.
- If any damage on the sensor inside the microphone, or on the unit itself, please return the goods to our local distributor.
- Keep hearing aid away from children. Do not let them use hearing aid on their own either. They may choke on earphone or tiny component parts by accident.
- The battery is built-in hearing aid; please do not attempt to dismantle the hearing aid.
- After each use, please clean the main unit and earphone with dry cloth, see "Cleaning" in details.

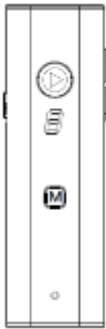
***Attention !**

1. Do not use the device on infants, children, or those who cannot express their own intention.
2. The device is equipped with sensitive electronic components. While wearing, avoid strong electrical or electromagnetic fields, e.g. mobile phones, microwave ovens, etc; or it may lead to temporary malfunction or whistling.
3. To avoid accidental strangulation, keep this product away from children and do not drape tube around neck.
4. Consider the electromagnetic compatibility of the device (ex. power

Device Overview

◆ **Product components:**

- Main unit
- Clip
- Earphone
- Tips(SS · M · L · 2L)
- USB Adapter
- Type C USB Cable
- Storage Pouch
- Instruction manual



Main Unit



Clip



Earphone



Tips



USB Adapter



Type C USB Cable



Storage Pouch

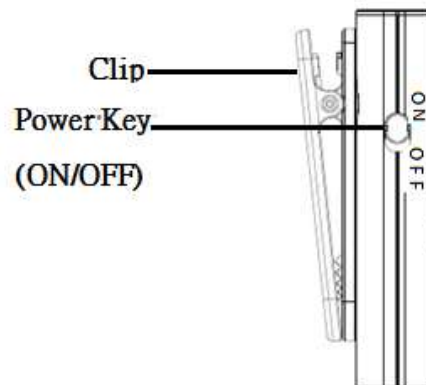
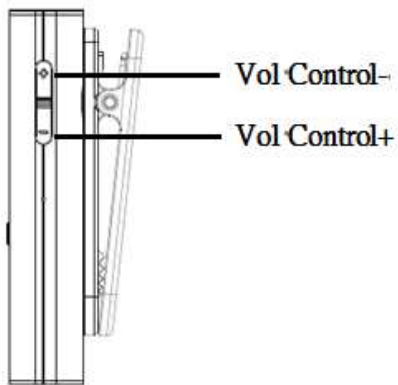
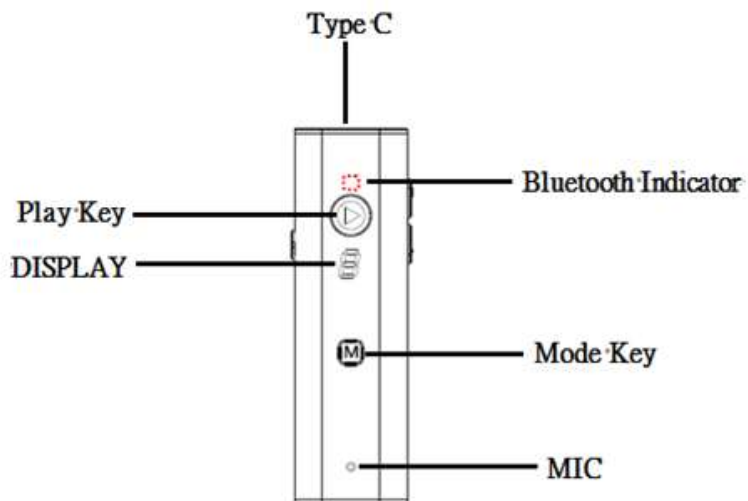


Instruction manual

Note: Any artificial changes to the original goods may result in unclear sound.

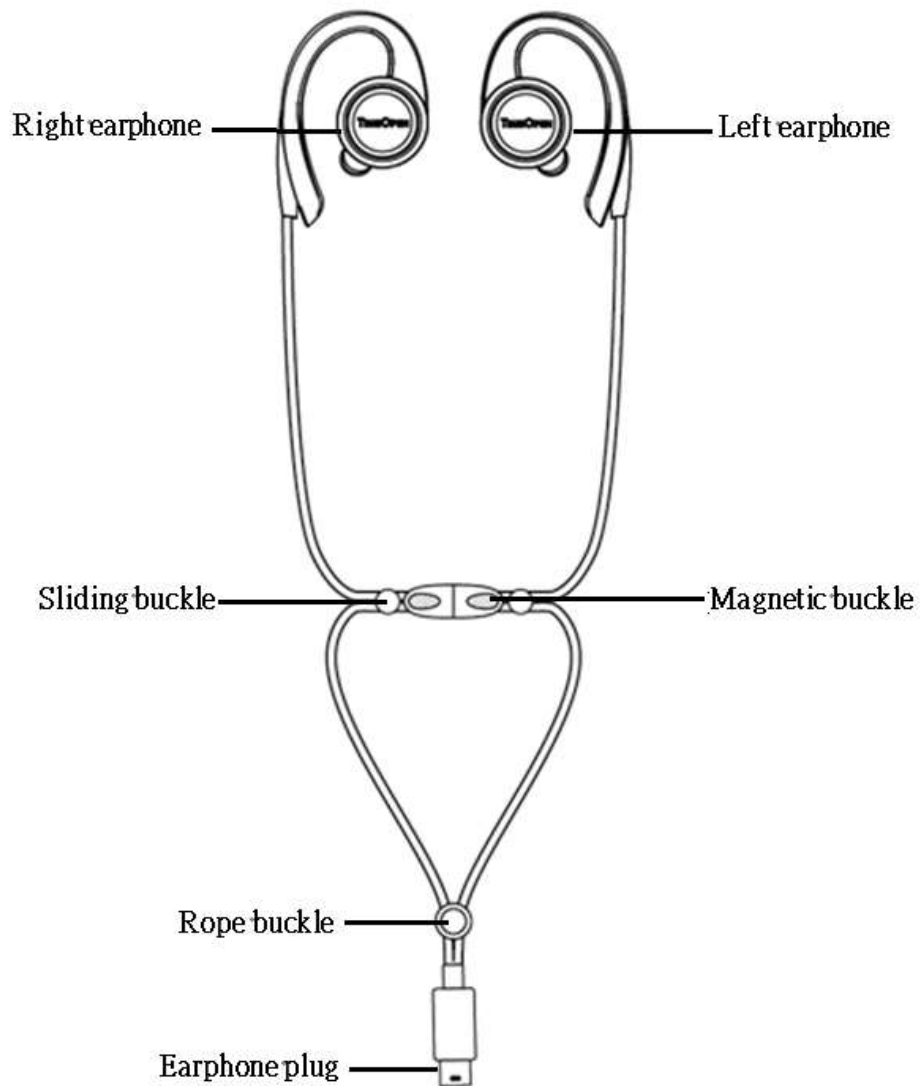
Device Overview

◆ Main unit part names:



Device Overview

◆ **Earphone part names:**



Features

■ **Main Unit**

■ **Phase Differential Acoustic System**

This device is equipped with Phase Differential Acoustic System (PDAS in short) and its feature as below:

- ✓ Noise Reduction
- ✓ Echo Suppression
- ✓ Wind Noise Reduction

The directional microphone receiver designed to subtract the noise, and echo suppression from other directions and to make hearing impairment person listen more clearly.

Besides, the hearing aid microphone detects the impact of the wind blowing across the hearing aid microphones and reduces the amplification of it.

■ **Earphone- OGS**

This earphone is equipped with OGS (Open Guided Sound) technology which receives sounds by auricle, combine with environment and transfer sounds to ear canal.

It also releases the sound pressure; user would not feel uncomfortable or exhausting during long time wearing.



Learning to use Hearing Aid

This device is recommended for people over the age of 18 and not to use on infants. Therefore, user may dislike wearing hearing aid for long period. Health and Life Co., Ltd recommends follow the below methods to encourage you continue with learning to use hearing aid.

- ❑ Please wear hearing aid one hour a day at first, and increase the time gradually until you would not feel uncomfortable when continuously wearing 6 to 8 hours.
- ❑ Please attempt to use in a quiet environments (such as indoor or home) first. Adjust your hearing aid volume to be feel comfortable and clear, try to adapt and listen your voice and practice in conversation. Please do not concern the words or sentences can be heard clearly in this learning stage.
- ❑ Please practice to hear surrounding voices, such as door switch, footsteps, vehicles, and machine operation.
- ❑ If you feel dizzy or auricle swelling, please take a rest and wearing again.
- ❑ When you wear hearing aid, it may give off whistling. Please wait a few seconds, and start to use hearing aid. If hearing aid still whistling, please refer "Troubleshooting" to find solutions.

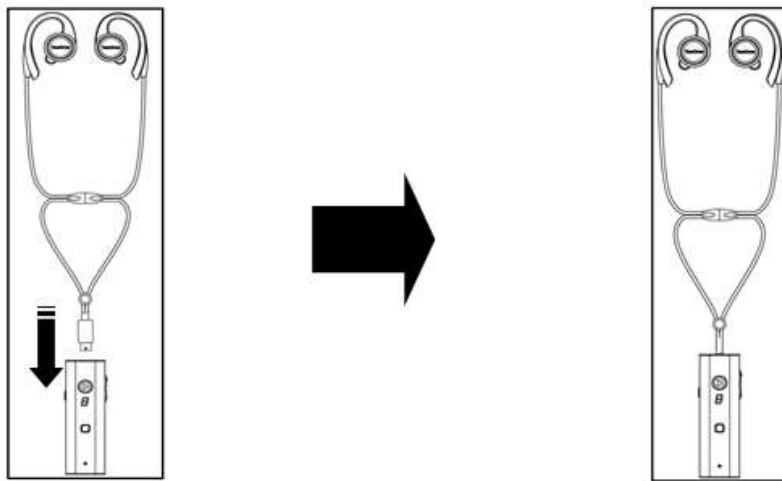
Position Guide

Important Notice before Wearing

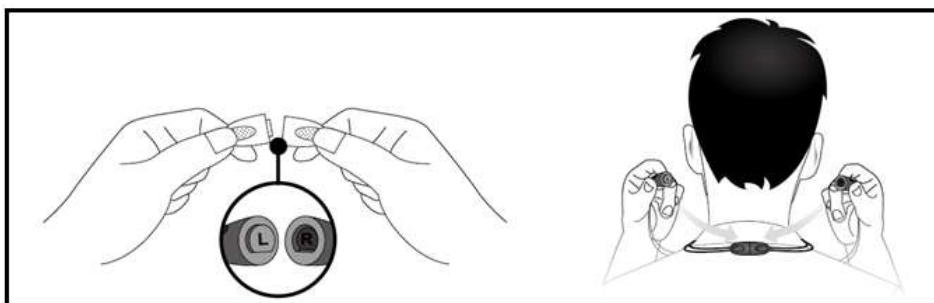
- ❑ In sleep, pressure on the ear may damage hearing aid, please take off your hearing aid before sleeping.
- ❑ Make your external ear clean before wearing. To avoid unclear sound, keep your ear free from obstructions or excess earwax.

Please insert the hearing aid as follows:

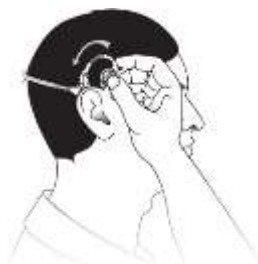
- Please turn off the hearing aid in case of whistling.
- Insert the earphone plug into the earphone / charging socket hole of the main unit of the hearing aid



- Take the L-side magnet of the neck lanyard with your left hand, and the R-side magnet with your right hand, and hold the magnet behind the neck.



- Place the hearing aid flat your auricle.

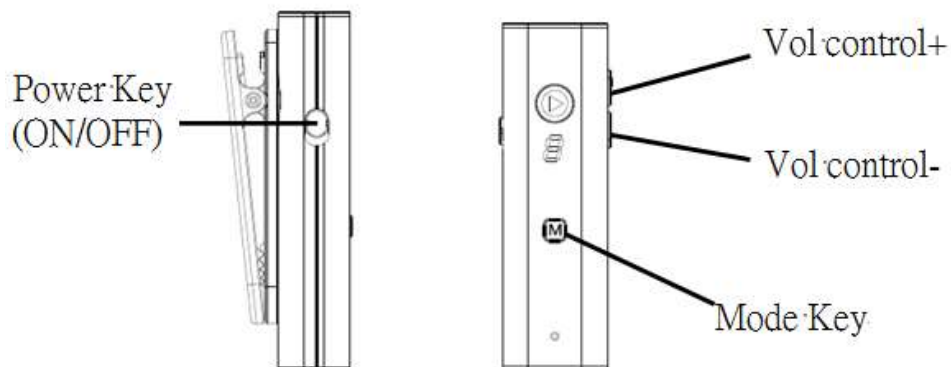


Position Guide

- E. After adjusting the rope buckle to a suitable position, fix the back clip of the main unit of the hearing aid to the chest position.



- F. Turn on the hearing aid and adjust the appropriate mode and volume
1. Turn on the power key
 2. Press the mode key to select the appropriate mode
 3. Press the volume control key of the host +/- to adjust the overall volume



***Attention!**

HL203 is no water-proof. Do not immerse it in water, or any other liquid.

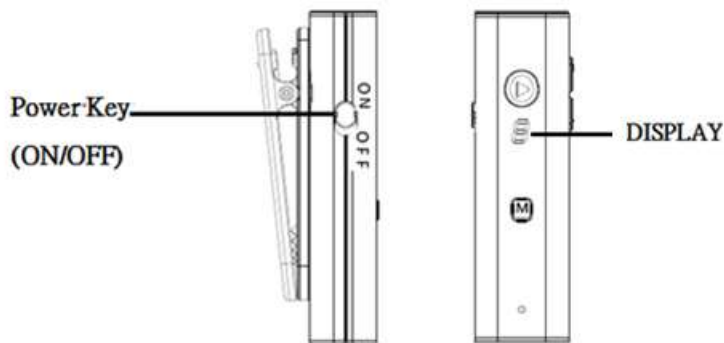
Operating Hearing Aid

■ **Power ON/OFF status:**

1. Turn the power switch up to ON, and the main unit of the hearing aid will start.

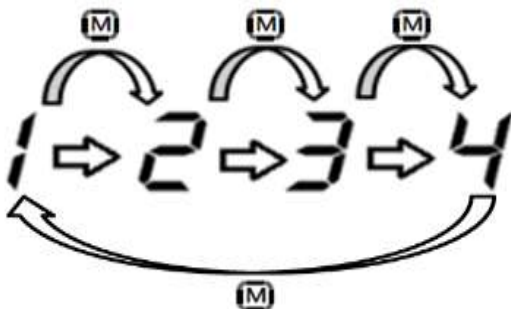
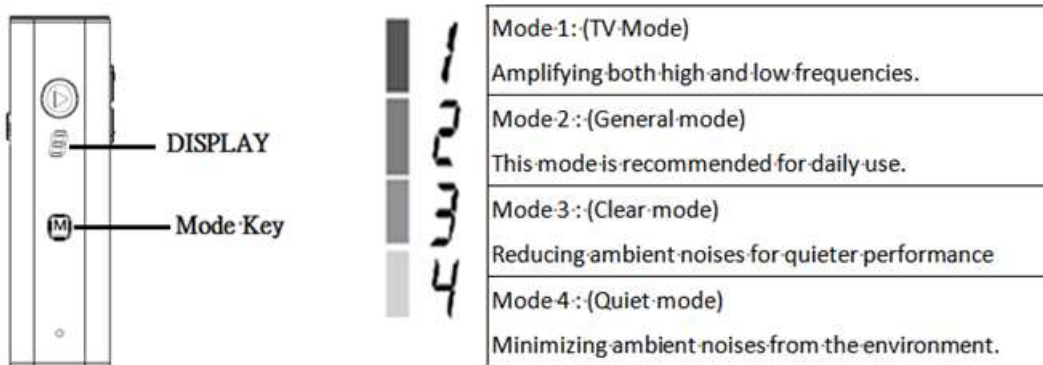
Please turn off the hearing aid after each use; it may reduce the whistling sound when next turn on the device.

2. After powering on, the "DISPLAY" will first display the volume value of the main unit of the hearing aid. It will turn off after about 10 seconds, and will turn into a red light to flash, and then flash slowly once.



■ **Select Mode:**

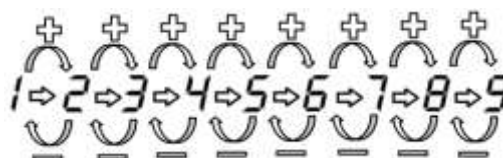
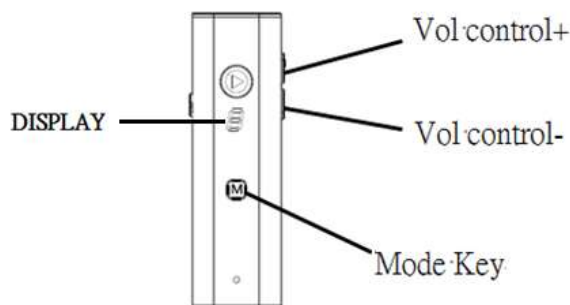
There are 4 built-in modes in the system. You can press the mode key to select the appropriate mode. The display will change with the selected mode.



Operating Hearing Aid

■ **Setting volume:**

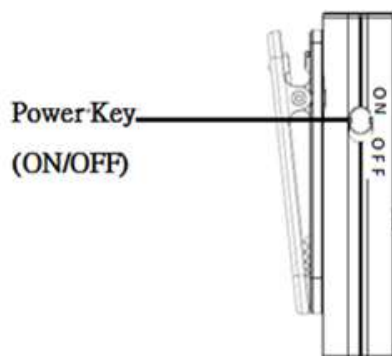
Depend on your hearing loss situation to adjust the proper volume.
The presses the volume control keys + /-to adjust the overall volume.
The display will change according to the selected mode.



■ **Power-off status:**

Turn the power switch down to OFF, and the hearing aid will shut down.

*If the Bluetooth function is turned on, please turn off the Bluetooth function (press the Play (⏮) key for about 3 seconds) before turning off the power.



***Attention!**

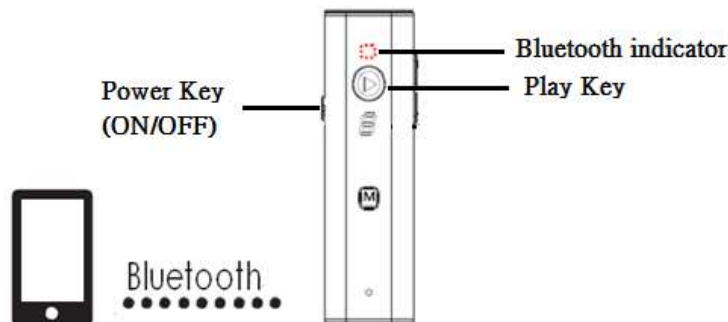
If you first time to turn on the HL203, suggesting adjust volume to the minimum to prevent the excessively loud sounds.

Bluetooth pairing

Hearing aids can also pairing with your phone, so you wo n't miss any phone call.


■ WIRELESS PAIRING

1. Please turn the power switch of the main unit of the hearing aid to ON, turn on the power, and press the Play (▶) key for about 3 seconds to enter the pairing mode. The Bluetooth indicator will display red light flashing.
2. Turn on the Bluetooth function in the phone. For usage instructions, please read the phone user instruction.
3. Select the device name "TOPPLAY 203" on the phone.
4. When the Bluetooth connection has been established, the Bluetooth indicator the original red and blue alternate Bluetooth indicator will turn into a blue light flashing and flash slowly 1 time.




REMOTE CONTROL

■ ***Listen to music***

1. The hearing aid has been successfully paired with the smartphone.
2. Press Play () key on the hearing aid to play or pause.
3. Press volume control keys + /-to adjust the volume.


■ ***Pick up the phone***

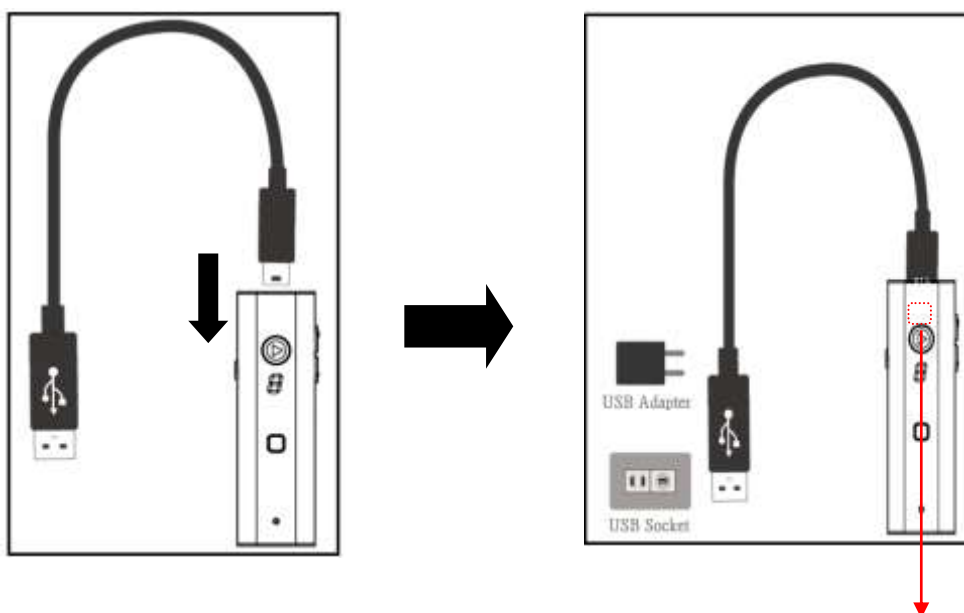
1. When the hearing aid has been successfully paired with the smartphone and the Bluetooth function is turned on, you can use your smartphone to answer or press the Play () key on the hearing aid to answer or hang up.
2. When you talking on the phone, the hearing aid will automatically turn into the volume adjustment function of the mobile phone, and the mode and volume adjustment function will not be available for the time being.
3. Automatically resume the hearing aid operation in about 3 seconds after hanging up.

Charging Hearing Aid

1. This product has a built-in rechargeable lithium battery. Use a Type C USB cable to connect the power source for charging.
2. When the power is insufficient, the display of the hearing aid will slowly flash "L". At this time, the hearing aid can continue to use for about 5 minutes. When the power of the hearing aid is insufficient, it will automatically power off.

■ **Charging instructions**

1. The Type C plug is connected to the hearing aid.
2. The USB plug (USB symbol ) of the Type C USB cable is connected to a USB adapter or USB socket for charging.
3. When the Bluetooth indicator is continuously red, it means that the hearing aid is charging. After the charging is completed, the Bluetooth indicator is off.



The Bluetooth indicator is continuously red, that the hearing aid is charging

Cleaning

Keep hearing aid clean and dry. Please clean the HL203 before and after each use. User can use cotton bud, comb, or dry cloth to slightly wipe the earwax on earphone, or any other dirt on hearing aid.

■ **Cleaning**

- Main Unit
Apply one dry cloth to wipe any visible dirt on hearing aid.
Gently wipe the area clean.

- Earphone
Apply one dry brush to scratch earwax on earphone slightly.

■ **Signs of Deterioration**

During cleaning, beware of following signs of deterioration:

- No reaction at all toward operating.
- Indelible water stain on the hearing aid.
- Unusual whistling sounds constantly.

If any signs listed above occur, please contact your local distributor.

Attention!

- Before cleaning; please put one dry cloth on table in case drops the hearing aid.
- Please do not clean the hearing aid with solvents, volatile liquid such as benzene or thinner.

Storage and Maintenance

■ **General Use**

1. Do not in any way twist the earphone cable.
2. HL203 is no water-proof. Do not dip it in water, or any other liquid.
3. Do not drop the product and avoid any strong impacts.

■ **Maintenance**

1. Use a piece of cloth with water or mild cleansing agent to wipe the device and dry it immediately with a dry cloth.
2. Do not use detergent or any strong chemicals to clean the hearing aid.
3. Use only a dry cloth to wipe the earphone and hearing aid.
4. Do not attempt to disassemble or change any parts of the hearing aid, including main unit and earphone, due to substitution of a component different from that supplied might result in functionality error.
5. Due to HL203 is a body worn type hearing aid; please confirm if the hearing aid is in the pocket or on jacket slide fastener.
6. If any suggestion or service is requested, please consult your service station.

■ **Storage**

1. Please place the hearing aid in fixed place, if the hearing aid is not to be used for a long time.
2. Always store in its storage box after use.
3. Keep HL203 away from:
 - Extreme temperatures.
 - Overly humid or dry environment,
 - Directly under sunlight.
 - Dusty places.
 - Children, infants or pets.

Troubleshooting

Please refer to the table below to troubleshoot any problems you may encounter when using the hearing aid.

Problems	Possible Causes	Solutions
Sound is weak	Low battery power or battery exhausted.	Charge the battery
	Volume too low	Adjust the volume
Sound is distorted	Volume too high	Adjust the volume
	Low battery power	Charge the battery
	Any visible dirt on microphone receiver	Please use dry cloth to slightly wipe the dirt
No sound	May not insert the earphone	Please insert the earphone again
	The volume may in mute status	Please adjust the volume
	Battery exhausted	Charge the battery
	Hearing aid is not turned on	Please turn on the hearing aid
Hearing aid gives of whistling sound	Any visible dirt on microphone receiver	Please slightly scratch with brush
	Volume too high	Adjust the volume
	The earring or glasses blocking the hearing aid	Please remove the earring or adjust glasses angle
	The hearing aid may have unintentionally operation due to the collar, coat, or pocket extruding	Please adjust the collar or coat; if any foreign objects in pocket, please remove it.
Earphone gives of beep sound	Hearing aid does not pair successfully	Please re-pairing the main unit and wireless receiver with each other.
Earphone has no sound	The distance between main unit and wireless receiver is out of transmitting range	Please make sure the acceptable distance (≤ 30 meters) with each other.
	Electromagnetic fields or blocking disturb	Please go to open spaces and keep away from any electric interference.

If your hearing aid still does not function properly after taking the solution mentioned above, please contact the retailer from which you purchased the product.

Limited Warranty

To ensure the hearing aid function properly, all digital hearing aid require recalibration regularly.

After 2 years from the manufacturing date, we recommend you have your hearing aid recalibrated at the local distributor or importer.

Please contact your distributor/importer for the details about the recalibration service and the charge of shipping and handling.

Please also note that this service does not cover damage caused by misuse or abuse; accident; the attachment of any unauthorized accessory; alteration to the product; improper installation; unauthorized repairs or modifications; improper use of electrical/power supply; loss of power; dropped product; malfunction or damage of an operating part from failure to provide manufacturer's recommended maintenance; transportation damage; theft; neglect; vandalism; or environmental conditions; loss of use during the period the product is at a repair facility or otherwise awaiting parts or repair; or any other conditions whatsoever that are beyond the control of importers or distributors.

Specifications

Product Name	Hearing Aid
Model Number	HL203
Measurement Method	Air-Conduction
Dimension Size (L x W x H)	67 x 20.5 x 13.4 (mm)
Unit Weight (Excluded Earphone & Clip)	18.7g ± 5 g (g ± 0.35 oz)
Operation Environment	Temperature: 0 °C ~ 45 °C (0°F ~ 112.9 °F) Humidity: 15 % ~ 93 % R.H.
Storage / Transportation Environment	Temperature: -25 °C ~ 60 °C (-13 °F ~ 139.9 °F) Humidity: ≤ 93 % R.H.
Wireless mode	Receiver ↔mobile(BT 4.0 or above)
Maximum transmission range	Main unit→mobile : 10 M(non-electromagnetic environment)
Maximum full-on acoustic gain	45dB
Power Supply	230~250 mAh (3.3 / 3.4V ~ 4.2V (Max.))
Warranty	2 years (Excluded battery and earphone)
Battery Life	10 hour (based on the capacity of battery)
Accessory	Instruction Manual, Storage Pouch , USB cable (type C)*1, tips(2L,L,M,SS), Earphone, Clip, USB Adapter

***The contents and specifications in this manual are subject to change for improvement without notice.**

Technical Data

Electroacoustic Performance

Maximum OSPL90	127dB + 3dB
High Frequency Average OSPL90	121dB ±4dB
Maximum full-on gain	49dB + 3dB
High-frequency average Full on gain(HFA-FOG)	42dB ±5dB
Reference Test setting of the gain control(RTS)	42dB
Reference test gain (RTG)	42dB
Frequency bandwidth	200Hz~4678Hz
Equivalent Input Noise (EIN)	32 + 3dB
Total harmonic distortion, THD +3 %	500Hz 0.53% +3 %
	800Hz 0.14% +3 %
	1600Hz 0.1% +3 %
Attack time	10ms
Release time	104ms

Safety Standard Information

■ Declaration of Conformity

HL203 Hearing Aid declares that this product is in compliance with the Directive 1999/5/EC and other relevant requirements.

This device complies with Part 15 of the FCC Rules. Operation is subject to the following two conditions: (1) this device may not cause harmful interference, and (2) this device must accept any interference received, including interference that may cause undesired operation.

■ FEDERAL COMMUNICATIONS COMMISSION INTERFERENCE STATEMENT

This equipment has been tested and found to comply with the limits for a Class B digital device, pursuant to Part 15 of the FCC Rules. These limits are designed to provide reasonable protection against harmful interference in a residential installation.

This equipment generates uses and can radiate radio frequency energy and, if not installed and used in accordance with the instructions, may cause harmful interference to radio communications. However, there is no guarantee that interference will not occur in a particular installation. If this equipment does cause harmful interference to radio or television reception, which can be determined by turning the equipment off and on, the user is encouraged to try to correct the interference by one or more of the following measures:

- ✚ Reorient or relocate the receiving antenna.
- ✚ Increase the separation between the equipment and the receiver.
- ✚ Connect the equipment into an outlet on a circuit different from that to which the receiver is connected.
- ✚ Consult the dealer or an experienced radio/TV technician for help.

CAUTION:

To assure continued FCC compliance:

- ✚ Any changes or modifications not expressly approved by the grantee of this device could void the user's authority to operate the equipment.

■ RF exposure warning

The equipment complies with FCC RF exposure limits set forth for an uncontrolled environment.

The equipment must not be co-located or operating in conjunction with any other antenna or transmitter.

經型式認證合格之低功率射頻電機，非經許可，公司、商號或使用者均不得擅自變更頻率、加大功率或變更原設計之特性及功能。

低功率射頻電機之使用不得影響飛航安全及干擾合法通信；經發現有干擾現象時，應立即停用，並改善至無干擾時方得繼續使用。

前項合法通信，指依電信法規定作業之無線電通信。低功率射頻電機須忍受合法通信或工業、科學及醫療用電波輻射性電機設備之干擾。

HEALTH & LIFE Co., Ltd.

9F, No. 186, Jian Yi Road, Zhonghe District, New Taipei City, Taiwan
www.healthandlife.com.tw

HEALTH & LIFE (Suzhou) Co., Ltd.

NO.1428 XIANG JIAN ROAD, SUZHOU NEW DISTRICT SUZHOU CITY 215129,
CHINA

P/N : 323103316

VER : A001

YYYYMMDD