

User Manual

Optoma NuForce Bluetooth earphone APBEL

Contents

What is in the box

APBEL earphone

The basics

Charging your APBEL earbuds

Checking battery level

Power On/ Power Off

Bluetooth Pairing

Wearing your APBEL

Handling Phone Calls

Listening to music

Miscellaneous

Multipoint Connections

Restoring Factory Settings

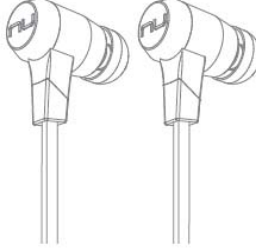
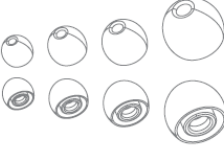
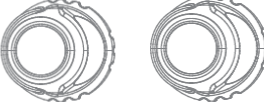




Voice Prompts List

Disclaimer

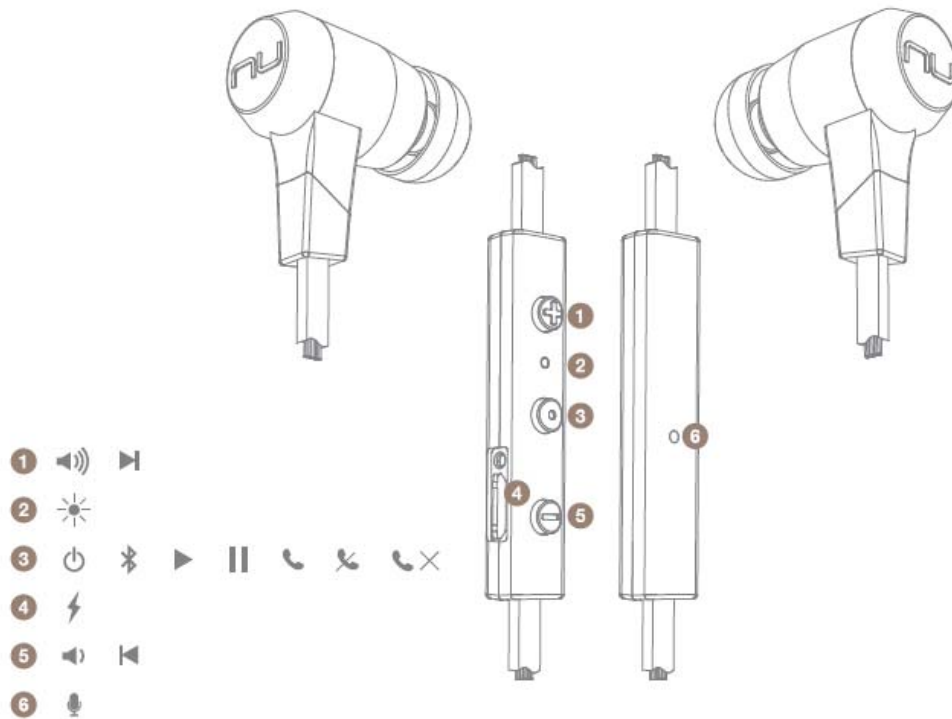
FCC Interference Statement

Specification

What is in the box

APBEL earphone (with Controller and Microphone)	
Eartips (4 pairs in L/M/S/XS)	
Stabilizers (1 pair)	
Cable loop for adjusting the length of cable	
Carry Case	
Charging Cable (Micro-USB)	
Quick Start Guide	

APBEL earphone



1. Volume Up Button
2. Indicator LED
3. Power/Function Button
4. Charge port
5. Volume Down Button
6. Microphone

The basics

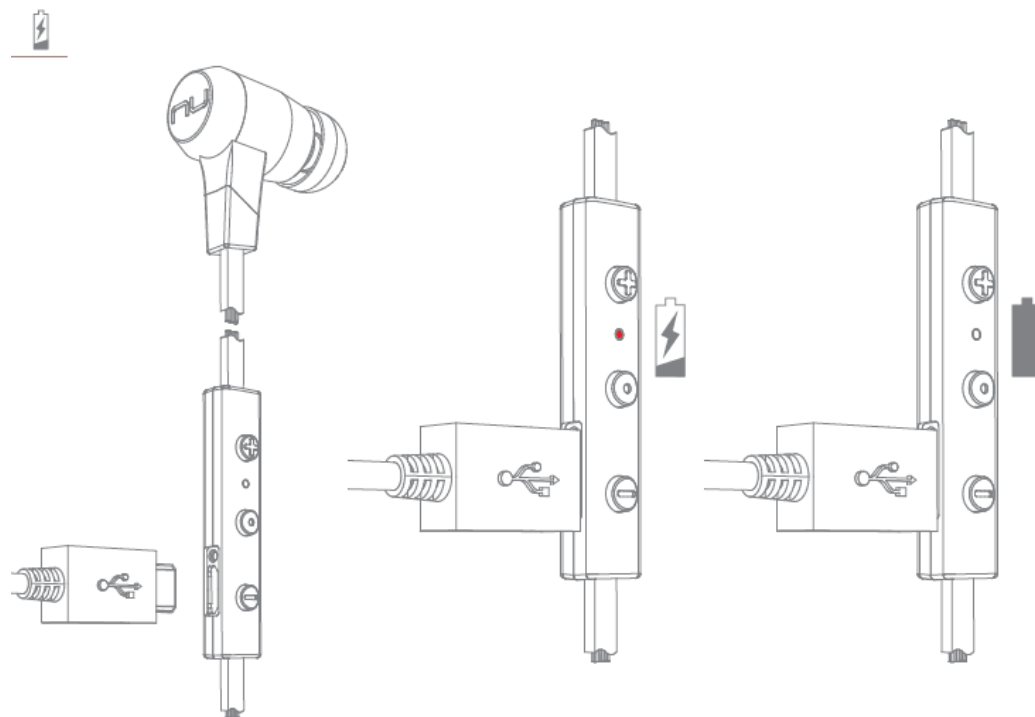
Charging Your APBEL earbuds

Although your APBEL earbuds come with a partially charged battery, it is recommended that you fully charge your APBEL before first use.

Charging your APBEL earbuds

- 1 Open the charge port cover on the controller.
- 2 The charge cable should be connected to the charge port and either to a PC or a dedicated USB charger.
- 3 When charging, the indicator LED is red and turns off once charging is complete.

NOTE: It takes up to 2.5 hours to fully charge the APBEL earbuds.



Checking Battery Level

You can check the battery level for your APBEL earbuds with the indicator LED*.

To check the battery level:

- 1 Press the power/function, volume up, and volume down buttons simultaneously.
- 2 The indicator LED will flash red and blue simultaneously. The battery level will be indicated by the number of flashes, as described in the table below:

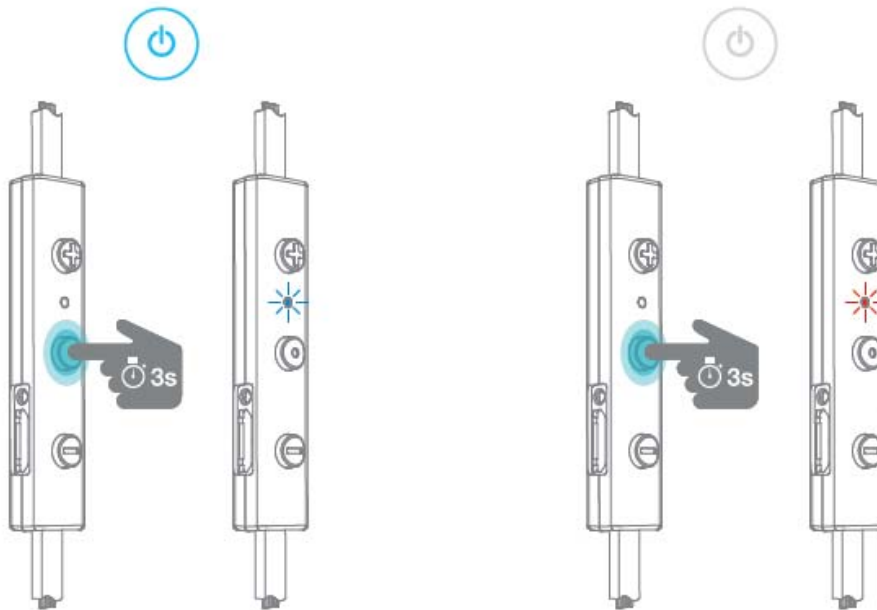
Number of Flashes Battery Level

Number of flashes	Battery Voltage	Voice prompts(enable)
2	<3.6V	Battery Low
3	<3.8V	Battery at 50%
4	<4.0V	Full Battery
5	>4.1V	Full Battery

NOTE: When the battery level is low, you will hear a "Battery Low" voice prompt from your APBEL earbuds every 2 minutes, Estimation operation time is under 15minutes remaining (Performance is dependent upon battery and usage and may vary by device).

**You cannot check the battery level for your APBEL earbuds when you are listening to music, in the middle of a phone call and in pairing mode.*

Power On/Power Off



To power on your APBEL, press power/function button for about 3 seconds until the LED indicator flashes blue and you hear the “Power on” (when voice prompt be activated).

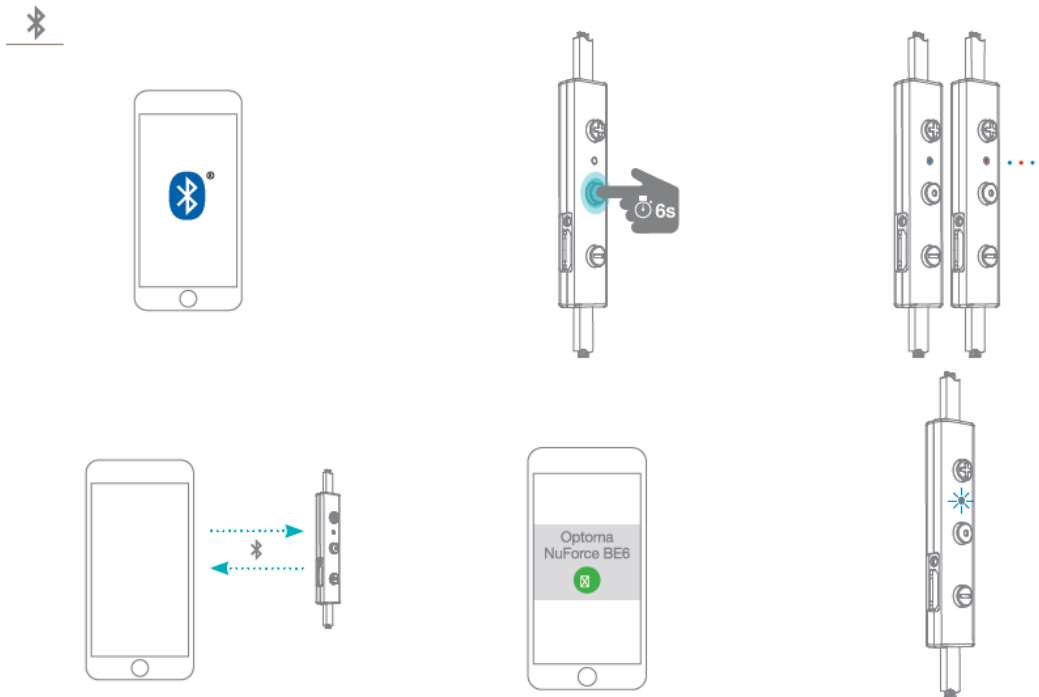
NOTE:

Once you have successfully paired your APBEL to a Bluetooth-enabled device, your APBEL will automatically connect with that device once they are powered on. For more information check section “ Bluetooth Pairing ”.

If you have stored pairing information for multiple devices and more than one of those devices have Bluetooth enabled, your APBEL will automatically connect with the most recently paired device and will also enable multipoint connection. For more information read section “Multipoint Connections ”.

To power off your APBEL, push power/function button for about 3 seconds until the indicator LED turns red and you hear the “Power off”.

Bluetooth Pairing



The first time you power on your APBEL, you start the pairing process to pair APBEL with the Bluetooth®-enabled device you want to connect it to.

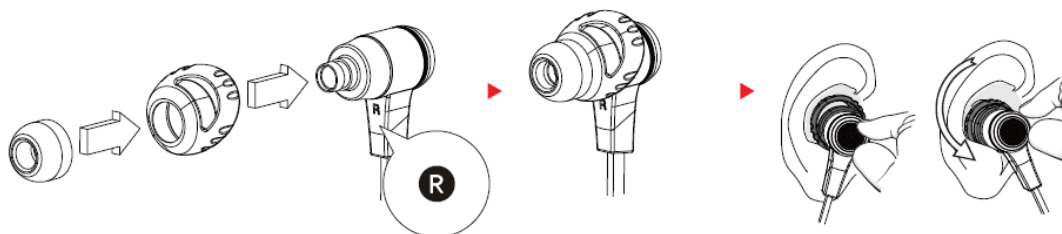
Get paired

1. To push the power/function button for 6 seconds until the indicator light LED flashes blue/red. Your APBEL is now in pairing mode.
2. To activate the Bluetooth® on the device and to set it to search for new devices, then select device “Optoma NuForce APBEL”
NOTE: Consult your device’s user manual for instructions on activating Bluetooth.
3. Once successfully paired, the indicator LED will flash blue and you will hear a tone from your APBEL.

Please note that

- A. *You must always enter pair mode from a powered-off state. Otherwise, pushing the power/function button for more than 3 seconds from a powered-on state will turn the APBEL off.*
- B. *If you left inactive in pairing mode, your APBEL will automatically power off after 3 minutes.*
- C. *Your APBEL can store pairing information for up to eight devices. To pair additional devices to your APBEL ensure that your APBEL is not concurrently connected to any device, then repeat the steps 1,2,3 outlined above.*
In case of your APBEL have already stored pair information for eight devices and you pair a ninth device, the stored information for the very first device will be deleted.

Wearing Your APBEL



To ensure a secure and comfortable fit when wearing your APBEL earbuds:

- 1** Install the stabilizers on the APBEL.
- 2** Select right size of tips and install tips on the earbuds.
- 3** Rotate the stabilizers and place the earbuds into each ear so that they are positioned comfortably.

APBEL is with the magnetic heads and you can place the earbuds' wire around the back of your neck when your APBEL earbuds are not in use.

Handling Phone Calls

When your APBEL earbuds are connected to a Bluetooth-enabled smartphone you can handle your phone calls directly using your APBEL earbuds.

The followings describe phone call options:

Call option	Status	Action
Answer a call	Incoming call	Tap the Power/Function button
Decline a call	Incoming call	Press the Power/Function button for 2 seconds
End a call	In a call/outgoing call	Tap the Power/Function button
Redial the last number	Standby/connected	Double tap the Power/Function button
Mute on or mute off microphone	In a call/outgoing call	Tap the Volume Up and Volume Down simultaneously
Switching handset/earphone voice	In a call	Press the Volume Up and Volume Down buttons simultaneously for 2 seconds
Adjust the volume		Tap the Volume Up or Volume Down button
Use Call Waiting -to put the first call on hold and answer the second call -to switch between calls	In a call/ TWC*	Press the Power/Function button for 2 seconds
Use Call Waiting -to end the call and answer the second call on waiting	In a call/ TWC*	Tap the Power/Function button
Use Call Waiting -to end the second call and retrieve the first call	In a call/TWC*	Double tap the Power/Function button
Activate Siri (iOS) or Google Voice Search (Android)	Standby/Connected	Tap the Power/Function and Volume Up buttons simultaneously

NOTE * Three-Way-Call (TWC)

Listening to Music

You can enjoy and control Audio through the controller on your APBEL earbuds.

Audio option	Action
Play or pause audio	Tap the Power/Function button
Skip to next track	Press the Volume Up button for 2 seconds
Play previous track	Press the Volume Down button for 2 seconds
Adjust the volume	Tap the volume up or volume down button

Miscellaneous

Multipoint Connections

If you have stored pairing information for multiple devices and more than one of those devices have Bluetooth enabled at the same time, your APBEL earbuds will enable multipoint connection.

Multipoint connection allows your APBEL earbuds to hold connections with two devices at the same time. Multipoint connection works in the following ways:

- Your APBEL earbuds automatically connect with the most recently paired device (“Primary device”).
- You must manually connect the second device (“Secondary device”) to your APBEL earbuds via its operating system.
- Your earbuds prioritize the audio from Primary device.
- You can control Primary device using the APBEL earbuds’ controller.
- When Primary device is idle, your APBEL earbuds can receive audio from Secondary device.
- Secondary device must be controlled directly from its operating system.
- Simultaneous audio from both devices is disabled.

Restore Factory Settings

When you restore the APBEL to its factory settings, the paired devices list is deleted.

To restore factory settings:

- 1** Ensure that your earbuds are not connected to any device.
- 2** Put your APBEL in pairing mode.
- 3** Press simultaneously the Power/Function, Volume Up, and Volume Down buttons for 2 seconds until the indicator LED flashes red five times and you hear five short tones from your earbuds.

Because all pairing information is deleted after restoring factory settings, your earbuds will directly enter pairing mode once powered on.

Voice Prompts list

Your APBEL earbuds speaks English

“Power On”

“Power Off”

“Full Battery”

“Battery at 50%”

“Battery Low”

“Primary device connected”

“Secondary device connected”

“Device disconnected”

“Mute On”

“Mute Off”

“Pairing Mode Activated”

“Redial Last Number”

“Transfer Audio”

“Voice Dial”

“Voice Prompts Enabled”

“Voice Prompts Disabled”

Disclaimer

Please be advised, The APBEL is equipped with the latest technology however functionality may vary by device.

Federal Communication Commission Interference

Statement

This equipment has been tested and found to comply with the limits for a Class B digital device, pursuant to Part 15 of the FCC Rules. These limits are designed to provide reasonable protection against harmful interference in a residential installation.

This equipment generates, uses and can radiate radio frequency energy and, if not installed and used in accordance with the instructions, may cause harmful interference to radio communications. However, there is no guarantee that

interference will not occur in a particular installation. If this equipment does cause harmful interference to radio or television reception, which can be determined by turning the equipment off and on, the user is encouraged to try to correct the interference by one of the following measures:

- . Reorient or relocate the receiving antenna.
- . Increase the separation between the equipment and receiver.
- . Connect the equipment into an outlet on a circuit different from that to which the receiver is connected.
- . Consult the dealer or an experienced radio/TV technician for help.

FCC Caution: To assure continued compliance, any changes or modifications not expressly approved by the party responsible for compliance could void the user's authority to operate this equipment. (Example - use only shielded interface cables when connecting to computer or peripheral devices).

FCC Radiation Exposure Statement

This equipment complies with FCC RF radiation exposure limits set forth for an uncontrolled environment.

This transmitter must not be co-located or operating in conjunction with any other antenna or transmitter.

This device complies with Part 15 of the FCC Rules. Operation is subject to the following two conditions:

(1) This device may not cause harmful interference, and (2) This device must accept any interference received, including interference that may cause undesired operation.

Specification

General

Items	Description
Model	APBEL
BT	BT4.0 +EDR
Profile	A2DP, AVRCP, HSP, HFP
Codec	SBC, aptX, AAC
Weight	16g

Performance

Items	Description
Frequency Response	20Hz ~ 20kHz
SNR	>80dB
THD+N	<3%