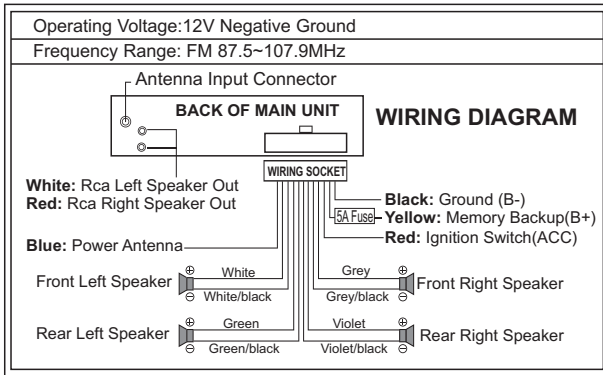


## WIRING DIAGRAM



### FM TUNER

Frequency Range	87.5~107.9MHz
Sensitivity	12dB $\mu$ V
I.F. Frequency	10.7MHz
Frequency Response	40Hz~15KHz( $\pm$ 3dB)
Stereo Separation	>28dB
S/N Ratio	>50dB

### GENERAL

Power Supply Voltage	12V DC, Negative Ground
Max Current Consumption	5A
Max Output Power	4x20W RMS

Note: specifications and the design are subject to possible modification without notice due to improvement.

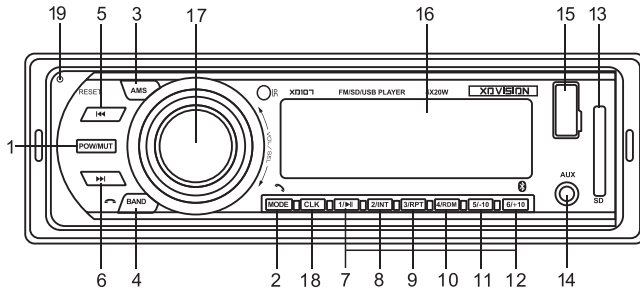
# XD VISION

## FM & MP3 Receiver with Bluetooth

**XD107**  
INSTRUCTION MANUAL



## OPERATION MANUAL



## LOCATION OF CONTROL

### LOCATION OF CONTROL

1. Power On/off; Mute On/off
2. Function Selector (usb/sd/radio/aux-in) & Answer the phone and Speaker switch
3. Auto Seek Search Tuning (AMS)
4. Band Button (FM1-FM2-FM3) & Hang up the phone
- 5./6. Track Skip/ Search Forward/ Backward , Manual Auto Search Radio
7. Memory Station 1~6 For Radio And Play/pause Function for Mp3/wma
8. Intro Function For Mp3/wma
9. Repeat Function For Mp3/wma
10. Random Function For Mp3/wma
11. -10 Function For Mp3/wma
12. +10 Function For Mp3/wma
13. SD Card Slot
14. Aux In Jack
15. USB Port
16. Lcd Display
17. Volume / Select Control
18. Clock Button
19. Reset Button

Bluetooth: Search for Bluetooth devices on your phone. Pair to device using the password "0000". Some phone automatically connect to the search.

### 1. **POWER ON/OFF; MUTE ON/OFF**

Short press turn on, long press three seconds turn off. Push the Mute button to silence all audio out.

### 2. **MODE-FUNCTION SELECTOR**

Push this Button repeatedly and the LCD will display the following sequence: RADIO →AUX-IN→ USB →SD.

In Bluetooth mode, short press to answer the phone and speaker switch.

### 3. **AUTO SEEK SEARCH TUNING (AMS)**

Radio mode, short press for the browser, long press to automatically save the station.

Playback mode, function is to choose song.

### 4. **BAND BUTTON**

In radio mode , each band is toggled cyclically by pressing the key FM1-FM2-FM3.

In Bluetooth mode, short press to hang up the phone.

### 5./6. **⏮ / ⏭ BUTTON**

Track Skip Mp3 Player Mode (USB/SD/MMC) / RADIO Search; Press the button during playback to go to the desired track; Press to search to the desired Radio station.

### 7. **1-6 BUTTON**

Memory station 1-6 for radio Control the playback of your music coming through the USB or SD/MMC external device by pressing once to start playback. During "PLAY" repress the button to PAUSE playback. Press the button once more to resume play.

### 8. **2/INT BUTTON**

When this button is pressed, 'INT' indication is displayed and the first several second of each track of the music are played. Press again to stop intro and listen to track.

### 9. **3/RPT BUTTON**

When this button is pressed, 'RPT' indication is displayed and play of the selected track will be continually repeated until the Track repeat mode is cancelled by pressing 'RPT' button again.

### 10. **4/RDM BUTTON**

When this button is pressed, 'RDM' indication is displayed and each track of the music are played in random instead of normal progression. To cancel RANDOM mode, press 'RDM' button (10) again.

### 11. **5/-10BUTTON**

Playback mode, Short press to -10, long press to choose a folder.

### 12. **6/+10BUTTON**

Playback mode, Short press to -10, long press to choose a folder.

### 13. **SD CARD SLOT**

Insert the MMC/SD card in the slot (13) by pushing it gently inward. Select SD with the mode selector (2). The music starts to play automatically. If there is no music file.

\* Supports Music File Format: MP3,WMA Files.

### 14. **AUX IN JACK**

Insert your portable player into the jack, in any playing mode, audio will come through the car speaker.

### 15. **USB Port**

Use a USB cable (not included) if necessary, to connect your portable MP3 Player.

### 16. **LCD DISPLAY**

The LCD Display show the actual reception and function.

### 17. **VOLUME / SELECT CONTROL**

Rotate the VOLUME Knob (17) to control the VOLUME. To select other function, press the SELECT (17) button shortly until the desired function is shown on the display.

\* VOLUME (rotate knob) →SELECT (push down) →BASS→TREBLE→BALANCE→FADER→LOUD→ EQ (FLA-POP-CLASSIC-ROCK)

### 18. **CLK BUTTON**

Electronic Clock Button.

### 19. **RESET BUTTON**

Restore factory defaults.

# FCC Warning Statement

Changes or modifications not expressly approved by the party responsible for compliance could void the user's authority to operate the equipment.

This equipment has been tested and found to comply with the limits for a Class B digital device, pursuant to Part 15 of the FCC Rules. These limits are designed to provide reasonable protection against harmful interference in a residential installation. This equipment

generates uses and can radiate radio frequency energy and, if not installed and used in accordance with the instructions, may cause harmful interference to radio communications.

However, there is no guarantee that interference will not occur in a particular installation.

If this equipment does cause harmful interference to radio or television reception,

which can be determined by turning the equipment off and on, the user is encouraged to try to correct the interference by one or more of the following measures:

- Reorient or relocate the receiving antenna.
- Increase the separation between the equipment and receiver.
- Connect the equipment into an outlet on a circuit different from that to which the receiver is connected.
- Consult the dealer or an experienced radio/TV technician for help.